



US00D859870S

(12) **United States Design Patent** (10) **Patent No.:** **US D859,870 S**  
**Lenhart et al.** (45) **Date of Patent:** **\*\* Sep. 17, 2019**

(54) **CLASSROOM CHAIR**  
(71) Applicant: **Krueger International, Inc.**, Green Bay, WI (US)  
(72) Inventors: **Tad Edward Lenhart**, Cedarburg, WI (US); **Scott Anthony Bosman**, Green Bay, WI (US); **Xeng Xue Vang**, Green Bay, WI (US)  
(73) Assignee: **Krueger International, Inc.**, Green Bay, WI (US)

D431,380 S \* 10/2000 Hutton ..... D6/360  
D432,806 S \* 10/2000 Gomez ..... D6/379  
D443,151 S \* 6/2001 Frinier ..... D6/379  
D478,430 S † 8/2003 Olson ..... D6/380  
D524,072 S \* 7/2006 King ..... D6/379  
D580,676 S \* 11/2008 Cramer ..... D6/379  
D648,557 S \* 11/2011 Frinier ..... D6/369  
D661,918 S \* 6/2012 Ciani ..... D6/375  
D663,131 S \* 7/2012 Barefoot ..... D6/374  
D676,690 S † 2/2013 Pheasant ..... D6/716  
D686,009 S † 7/2013 Mari ..... D6/379

(Continued)

(\*\*) Term: **15 Years**  
(21) Appl. No.: **29/689,528**  
(22) Filed: **Apr. 30, 2019**

**Related U.S. Application Data**

(62) Division of application No. 29/573,031, filed on Aug. 2, 2016.  
(51) **LOC (12) Cl.** ..... **06-01**  
(52) **U.S. Cl.**  
USPC ..... **D6/379**  
(58) **Field of Classification Search**  
USPC ..... D6/334, 349, 364-366, 374, 375, 379, D6/380, 716, 716.7  
CPC .. A47C 5/12; A47C 1/12; A47C 1/121; A47C 1/126; A47C 1/16  
See application file for complete search history.

(56) **References Cited**

**U.S. PATENT DOCUMENTS**

D179,036 S 10/1956 Rothenstein  
D195,256 S 5/1963 Andersen et al.  
D195,257 S 5/1963 Andersen et al.  
D334,296 S † 3/1993 Hutton ..... D6/334  
D395,758 S † 7/1998 Hutton ..... D6/334  
D396,563 S \* 8/1998 Meijer ..... D6/334  
D406,198 S † 3/1999 Lin ..... D6/379

**OTHER PUBLICATIONS**

[http://www.kieurope.com/Education/Products/Products/By\\_Range/Ruckus/Ruckus\\_-\\_Stack\\_Chair/](http://www.kieurope.com/Education/Products/Products/By_Range/Ruckus/Ruckus_-_Stack_Chair/) (Year: 2017).\*

*Primary Examiner* — Manpreet S Matharu  
*Assistant Examiner* — Keith J Wilson  
(74) *Attorney, Agent, or Firm* — Andrus Intellectual Property Law, LLP

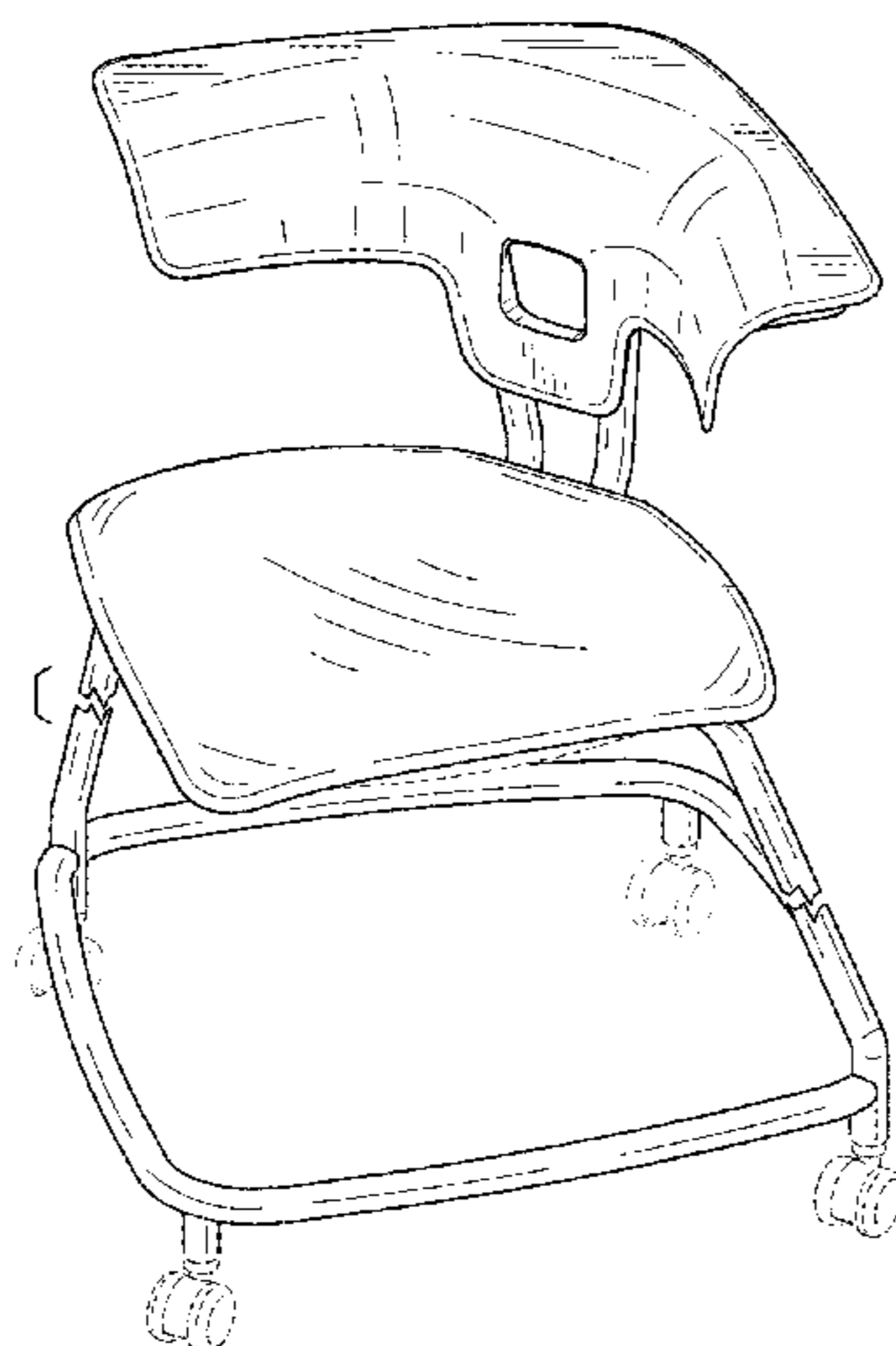
(57) **CLAIM**

The ornamental design for a classroom chair, as shown and described.

**DESCRIPTION**

FIG. 1 is a front isometric view of a first embodiment of a classroom chair;  
FIG. 2 is a front elevation view thereof;  
FIG. 3 is a rear elevation view thereof;  
FIG. 4 is a right side elevation view thereof;  
FIG. 5 is a left side elevation view thereof;  
FIG. 6 is a top plan view thereof; and,  
FIG. 7 is a bottom plan view thereof.  
The broken lines in the drawing views are included for purposes of illustrating environment and form no part of the claimed design. The broken sections shown in the drawing views are meant to disclose indeterminate length.

**1 Claim, 4 Drawing Sheets**



(56)

**References Cited**

U.S. PATENT DOCUMENTS

D726,432	S	‡	4/2015	Ye	.....	D6/375
D726,435	S	‡	4/2015	Ye	.....	D6/380
D730,069	S	*	5/2015	Thuma	.....	D6/336
D802,958	S	*	11/2017	Lowsky	.....	D6/379
D805,316	S	*	12/2017	Lowsky	.....	D6/379
D810,457	S	*	2/2018	Natuzzi	.....	D6/379
D814,835	S	*	4/2018	Bosman	.....	D6/705.6
D815,452	S	*	4/2018	Hannoosh	.....	D6/380
D821,770	S	*	7/2018	Dassen	.....	D6/375
D821,774	S	*	7/2018	Hale	.....	D6/375
D839,651	S	*	2/2019	Green	.....	D6/716.1
2019/0142167	A1	*	5/2019	Lenhart	.....	A47C 3/04

\* cited by examiner

‡ imported from a related application

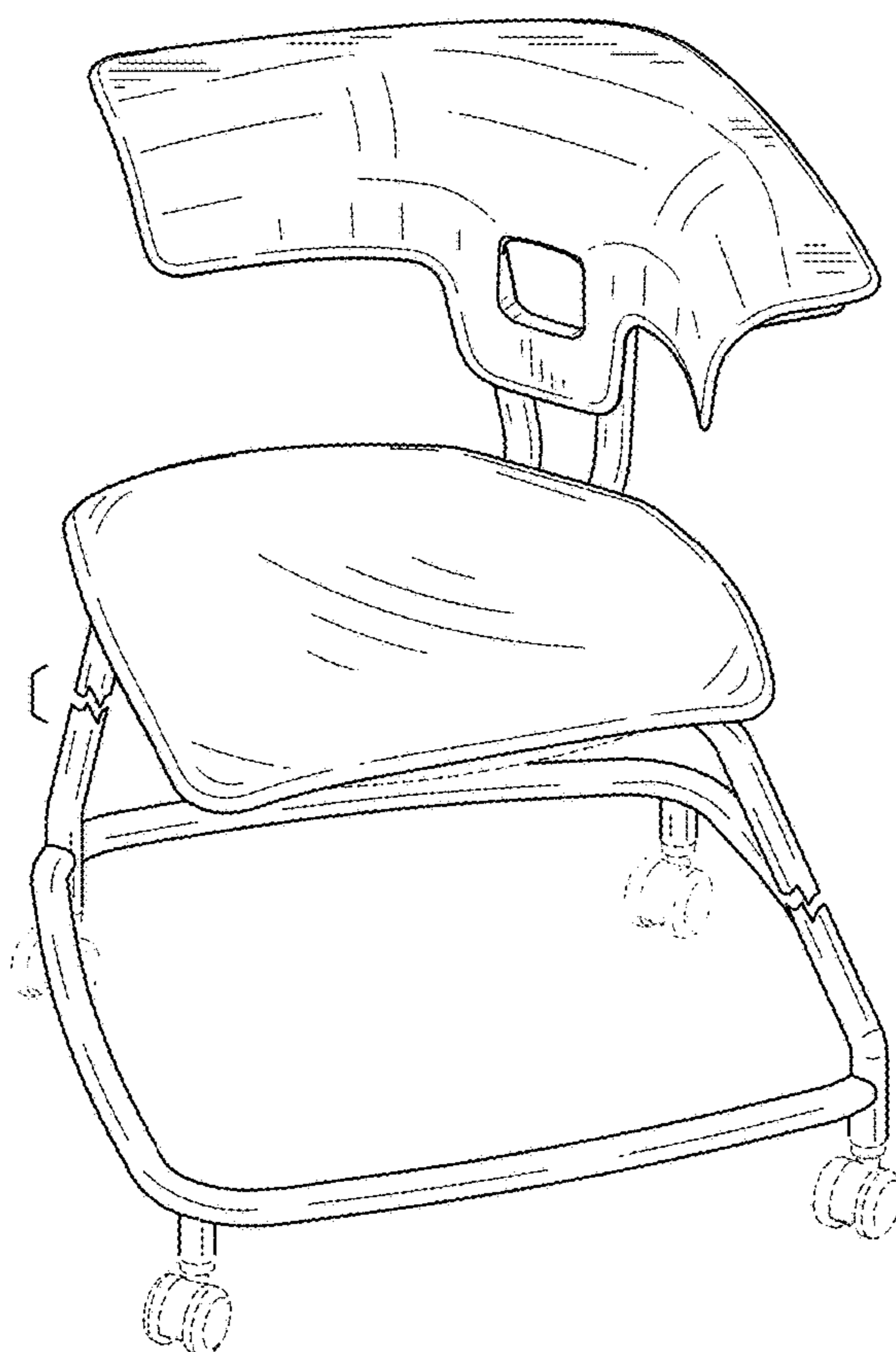


FIG. 1

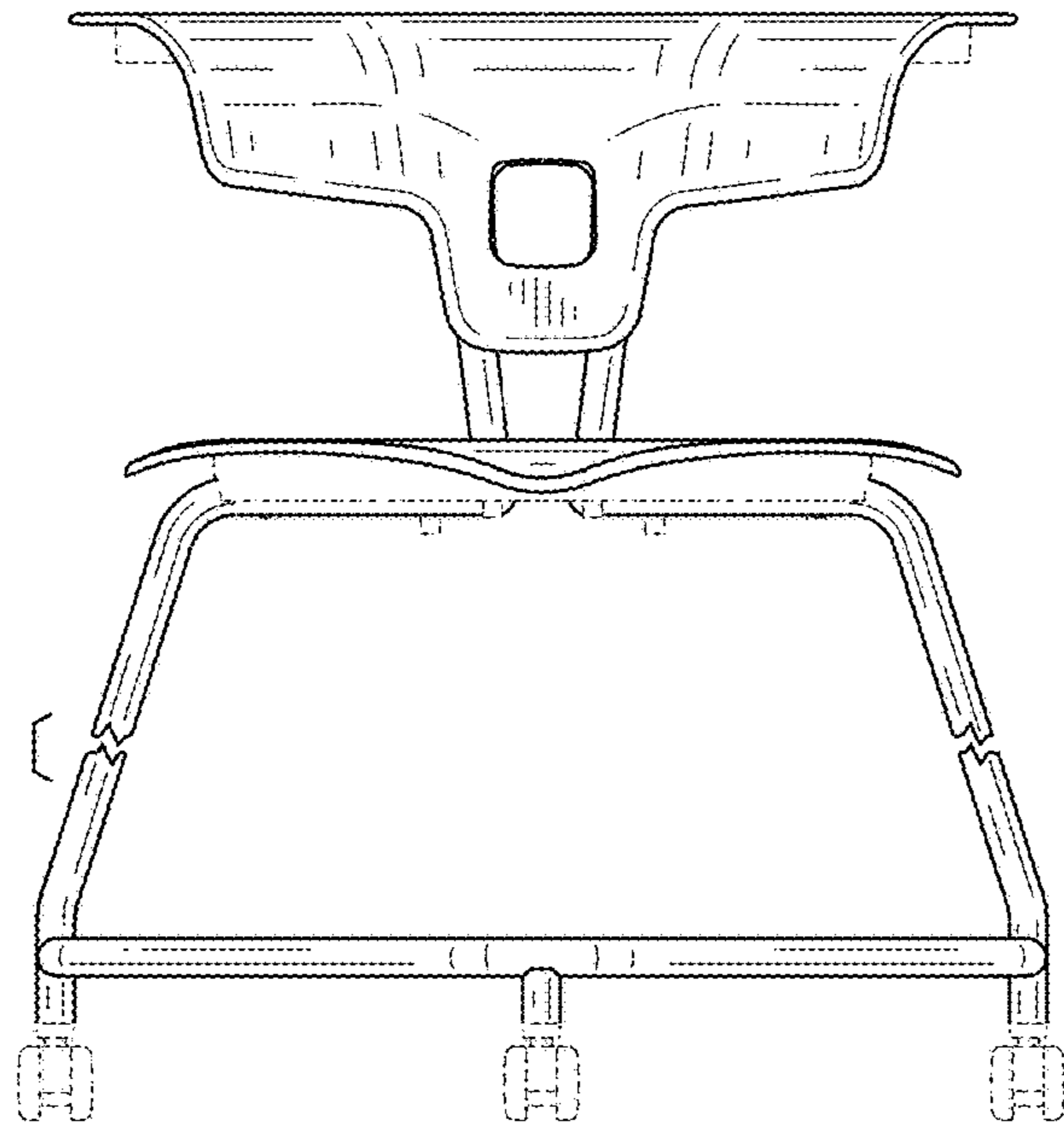


FIG. 2

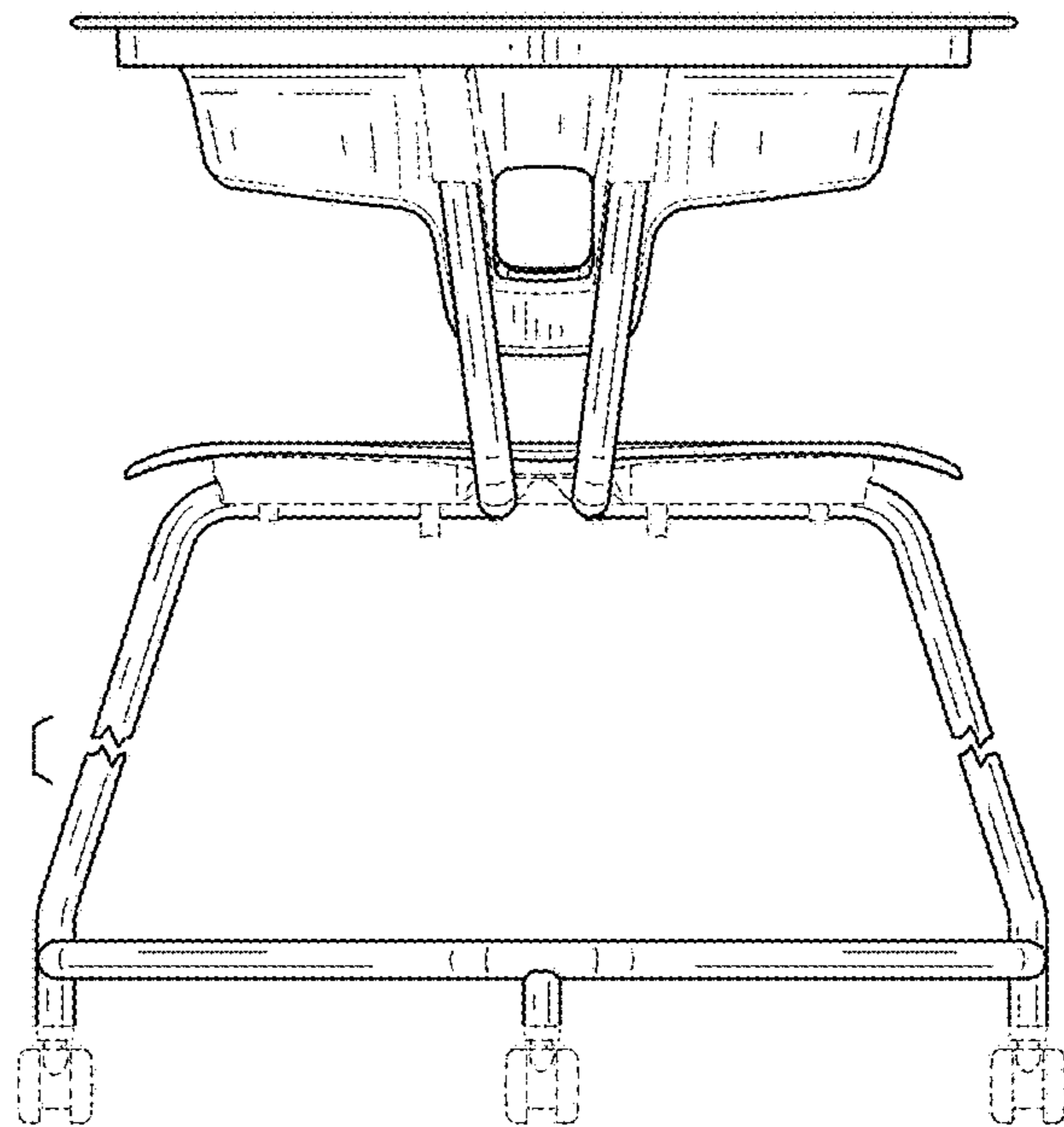


FIG. 3

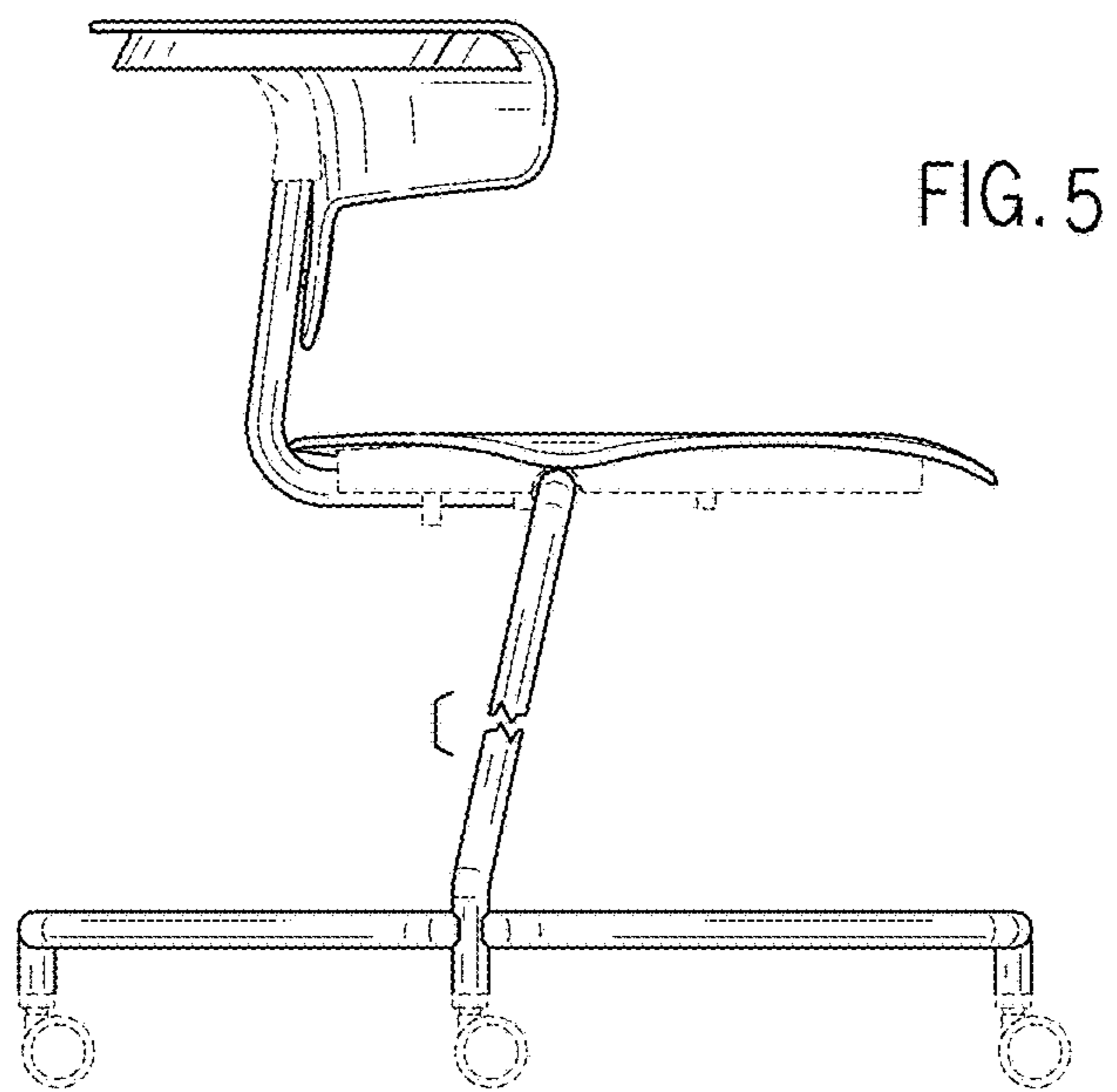
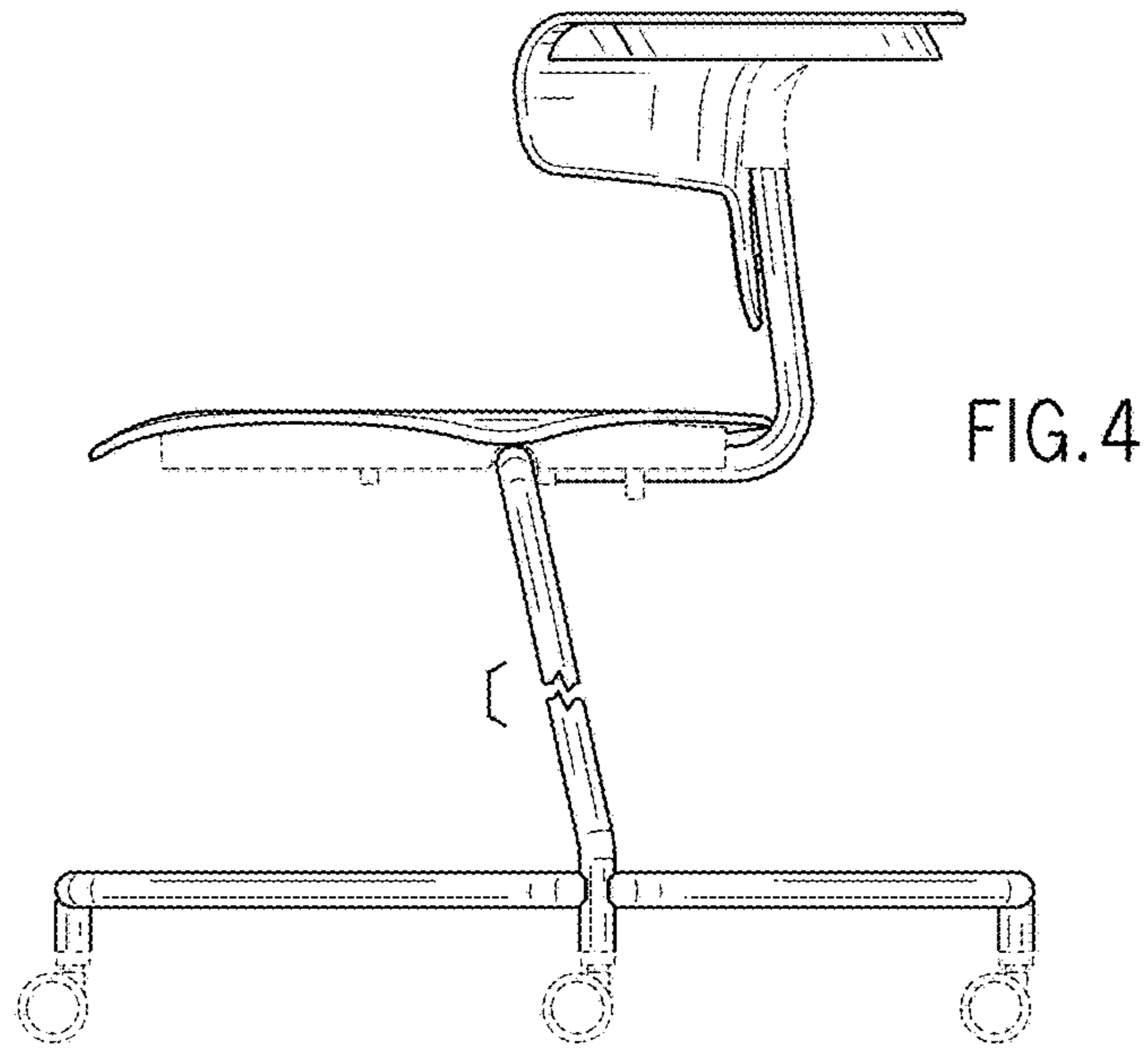


FIG. 6

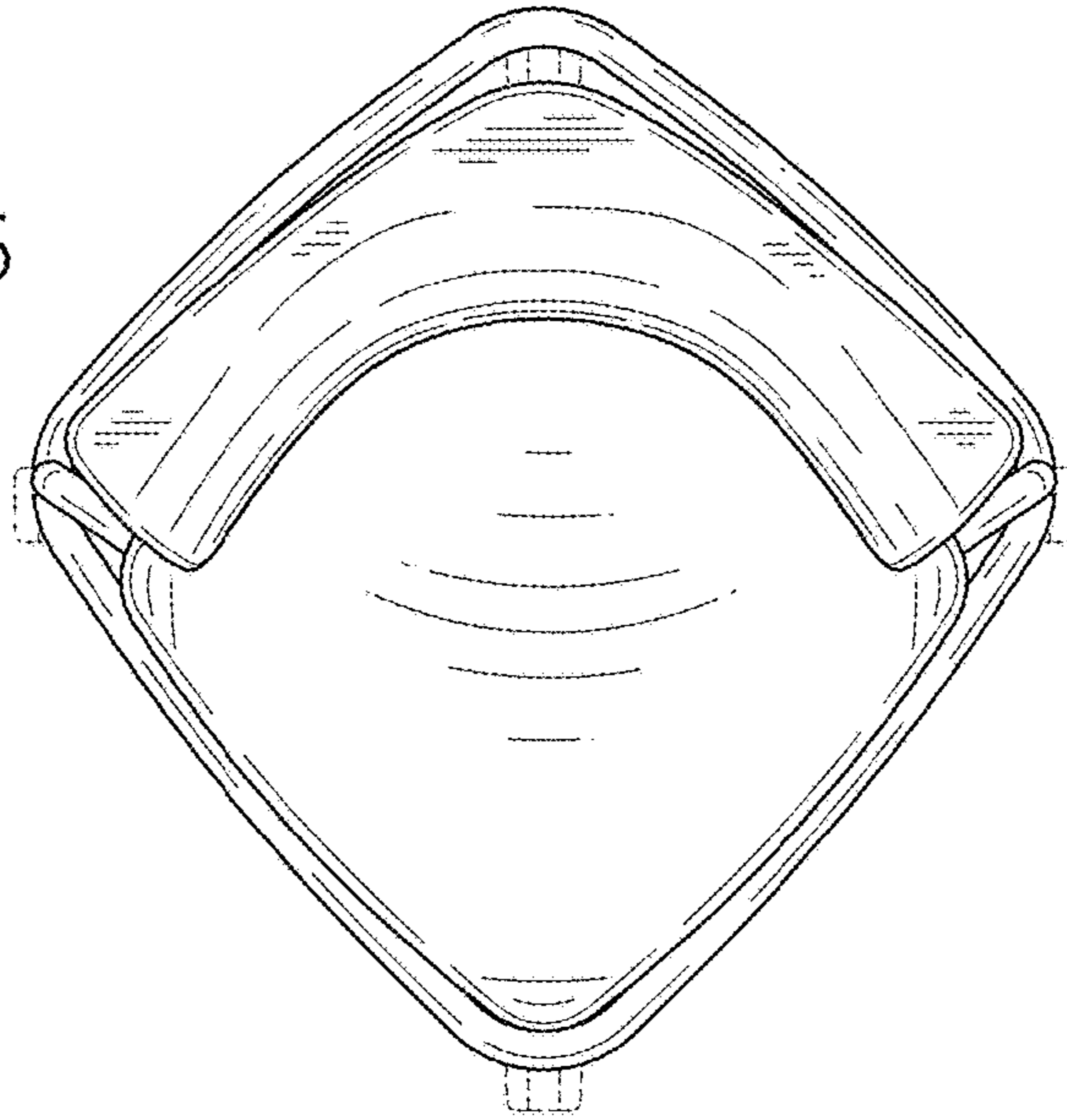


FIG. 7

