



US00D859867S

(12) **United States Design Patent**  
**Young**

(10) **Patent No.:** **US D859,867 S**

(45) **Date of Patent:** **\*\* Sep. 17, 2019**

(54) **LOUNGE CHAIR**

D730,098 S \* 5/2015 Kubryk ..... D6/716  
D762,407 S \* 8/2016 Kubryk ..... D6/716  
D817,056 S \* 5/2018 Neil ..... D6/716

(71) Applicant: **Blu Dot Design & Manufacturing, Inc.**, Minneapolis, MN (US)

(72) Inventor: **Warren Young**, Roseville, MN (US)

(73) Assignee: **Blu Dot Design & Manufacturing, Inc.**, Minneapolis, MN (US)

(\*\*) Term: **15 Years**

(21) Appl. No.: **29/624,355**

(22) Filed: **Oct. 31, 2017**

(51) **LOC (12) Cl.** ..... **06-01**

(52) **U.S. Cl.**  
USPC ..... **D6/366**

(58) **Field of Classification Search**  
USPC ..... D6/334-336, 364, 365, 366, 374, 375,  
D6/716, 716.1, 716.2, 716.4  
CPC .. A47C 3/12; A47C 4/028; A47C 5/12; A47C  
7/004; A47C 7/02; A47C 7/18; A47C  
7/24; A47C 7/40; A47C 7/54  
See application file for complete search history.

(56) **References Cited**

**U.S. PATENT DOCUMENTS**

3,408,106 A \* 10/1968 Bolling ..... A47C 5/12  
297/452.14  
3,490,810 A \* 1/1970 Putnam ..... A47C 7/18  
297/447.1  
3,521,929 A \* 7/1970 Pearson ..... A47C 3/12  
297/452.14  
D647,715 S \* 11/2011 Kubryk ..... D6/366  
D654,732 S \* 2/2012 Kubryk ..... D6/366

**OTHER PUBLICATIONS**

Blu Dot Catalog No. 16, Designed in Minneapolis, Minnesota, Copyright 2015, 44 pages.  
Blu Dot Catalog No. 17, Designed in Minneapolis, Minnesota, Copyright 2015, 52 pages.  
Blu Dot Catalog No. 18, Designed in Minneapolis, Minnesota, Copyright 2015, 51 pages.  
Blu Dot Catalog No. 19, Designed in Minneapolis, Minnesota, Copyright 2016, 54 pages.

\* cited by examiner

*Primary Examiner* — Mimoso De

(74) *Attorney, Agent, or Firm* — Fredrikson & Byron, P.A.

(57) **CLAIM**

I claim the ornamental design for a lounge chair, as shown and described.

**DESCRIPTION**

FIG. 1 is a front perspective view of a lounge chair of Applicant's design;  
FIG. 2 is a front elevational view thereof;  
FIG. 3 is a rear elevational view thereof;  
FIG. 4 is a right-side elevation view thereof, the left-side elevation view being a mirror image thereof;  
FIG. 5 is a top plan view thereof; and,  
FIG. 6 is a bottom plan view thereof.  
Where included, broken lines showing environment or structure are for illustrative purposes only and form no part of the claimed design.

**1 Claim, 6 Drawing Sheets**

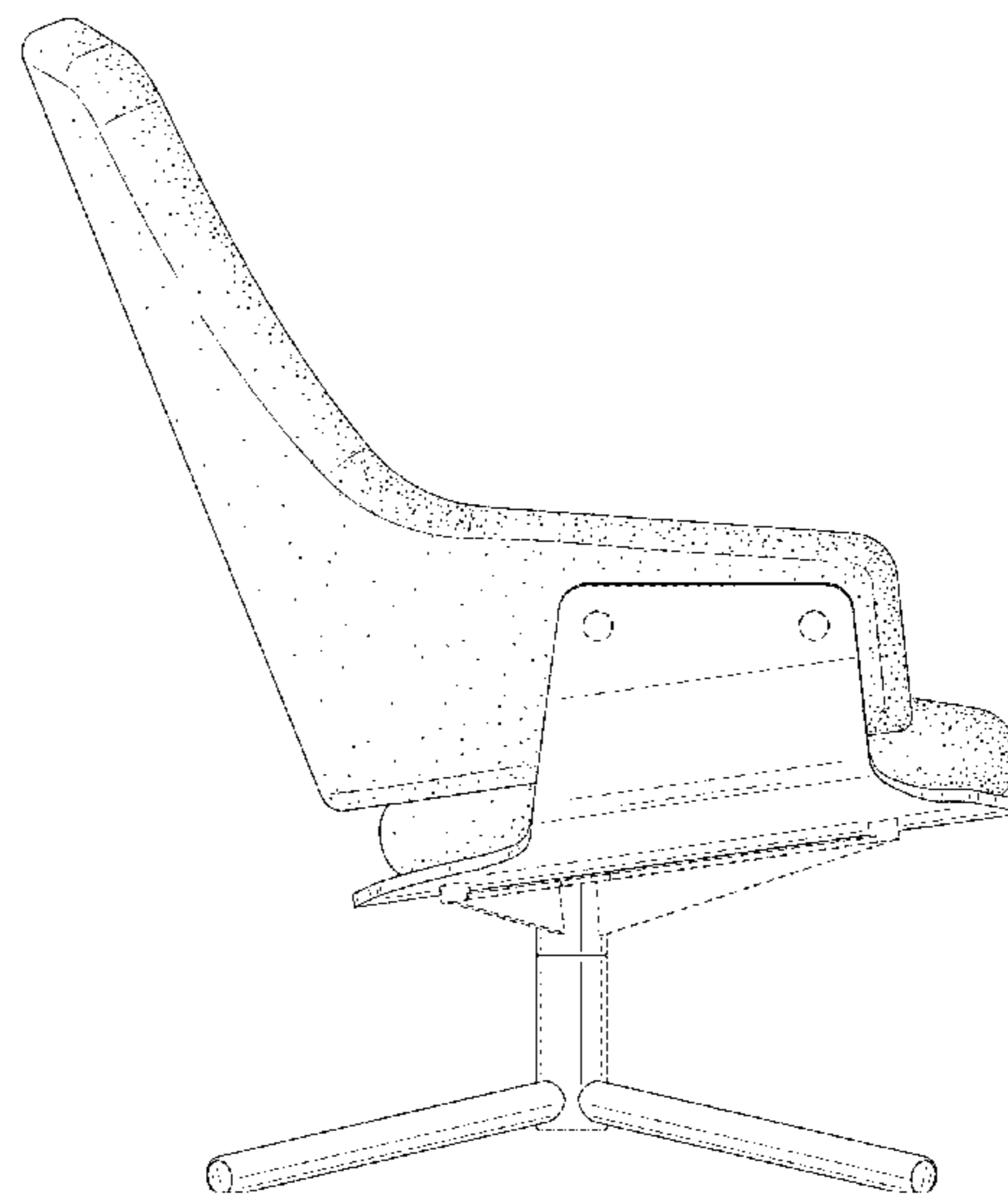




FIG. 1

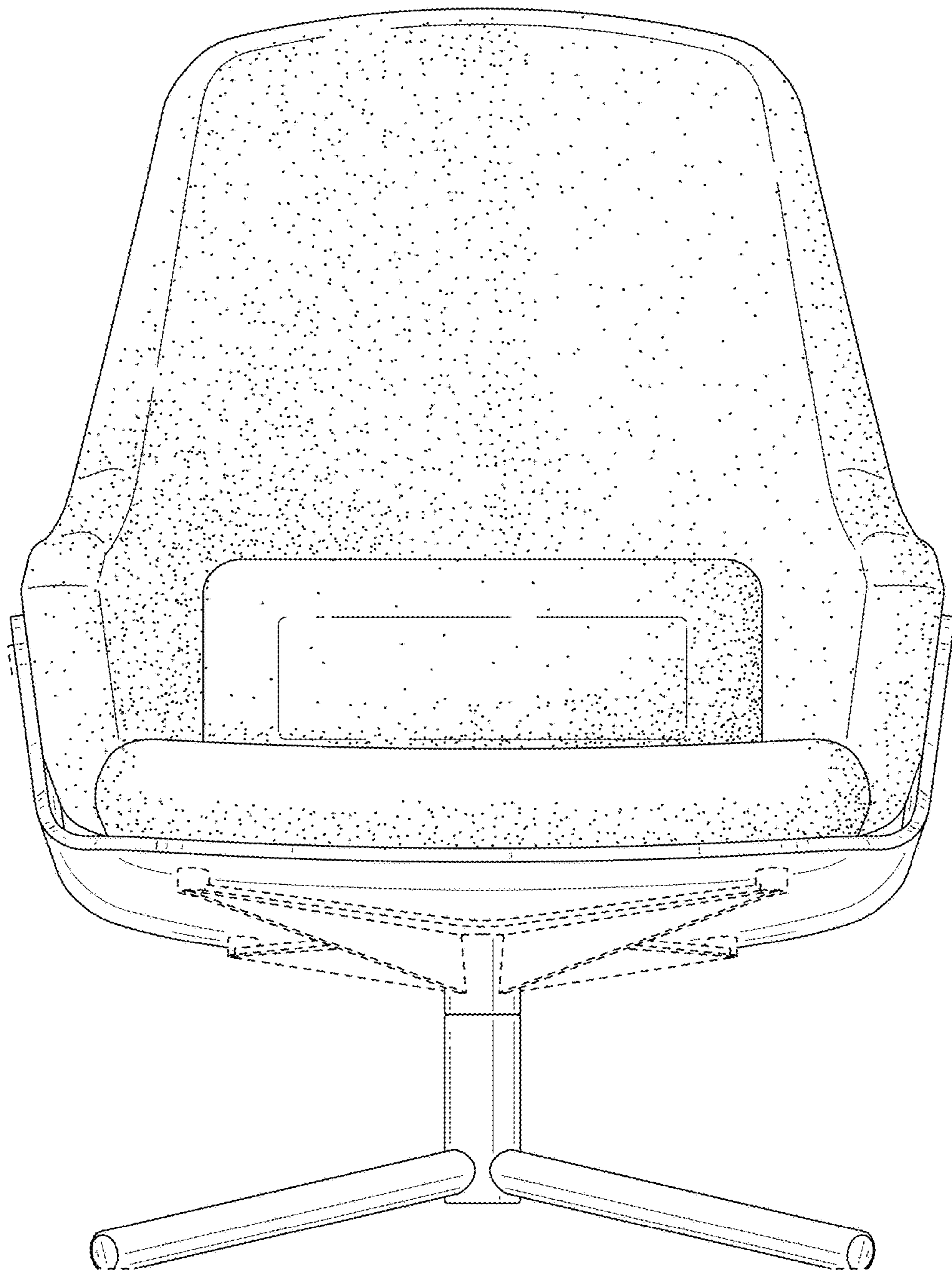


FIG. 2

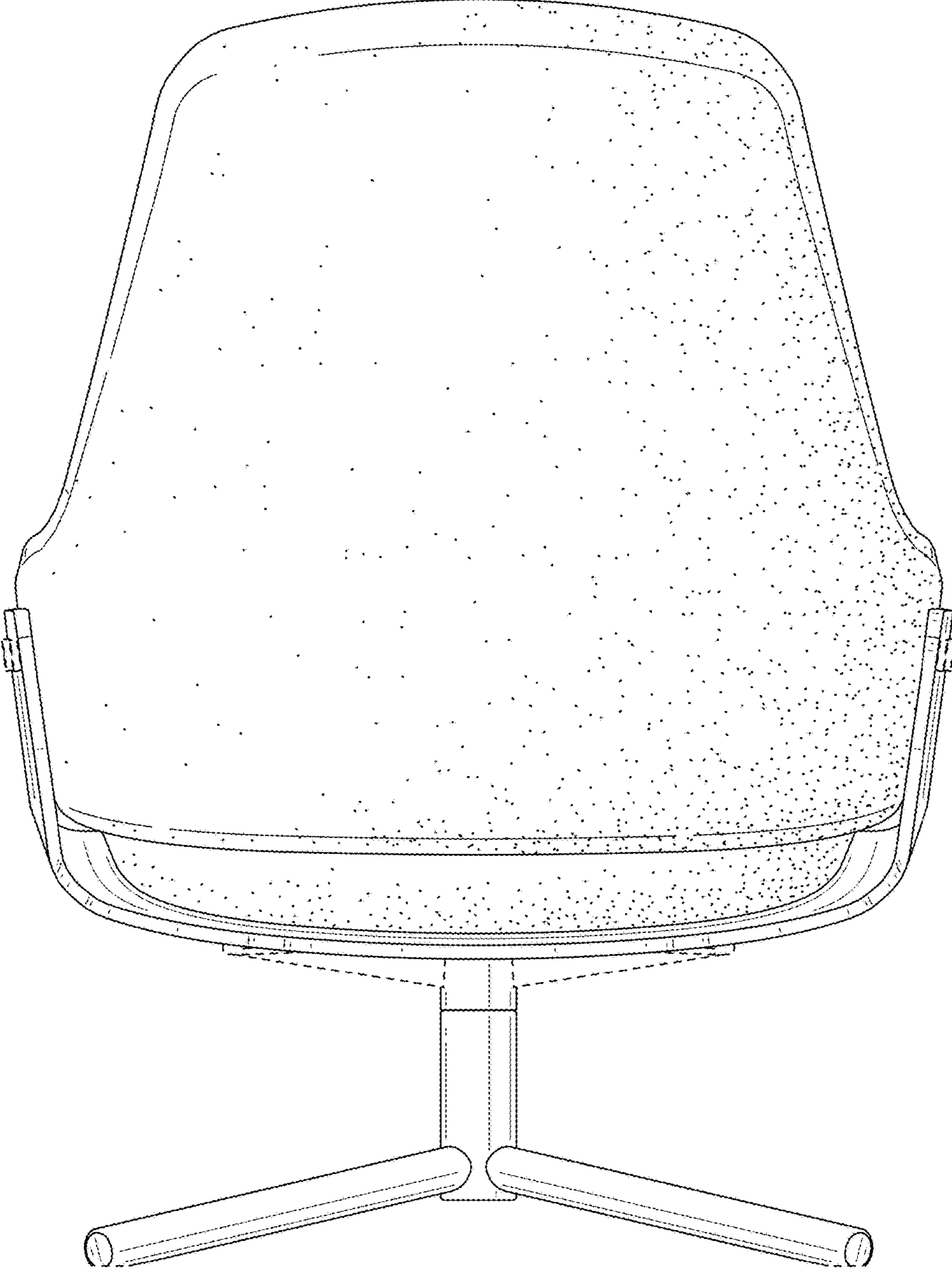


FIG. 3

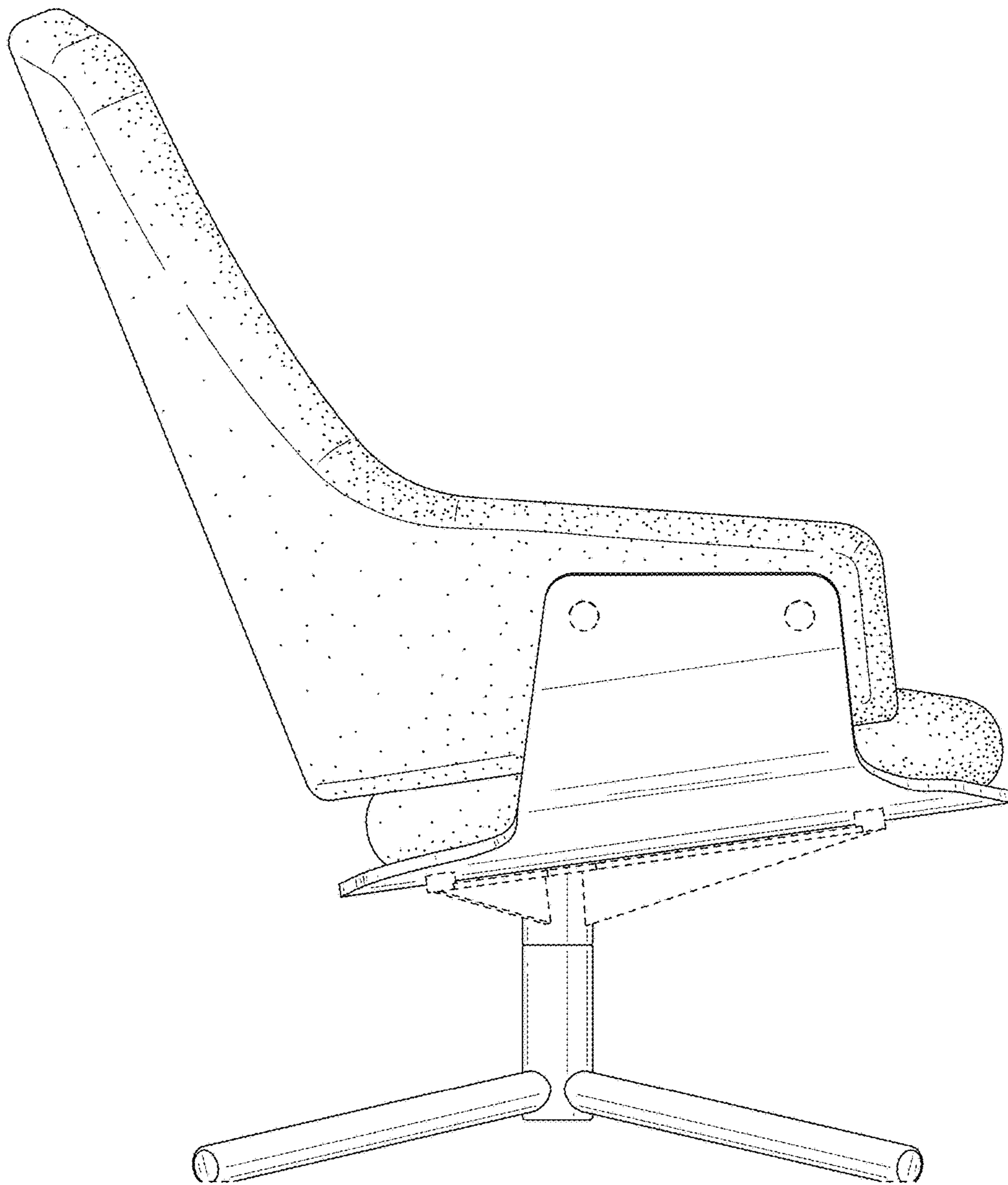


FIG. 4

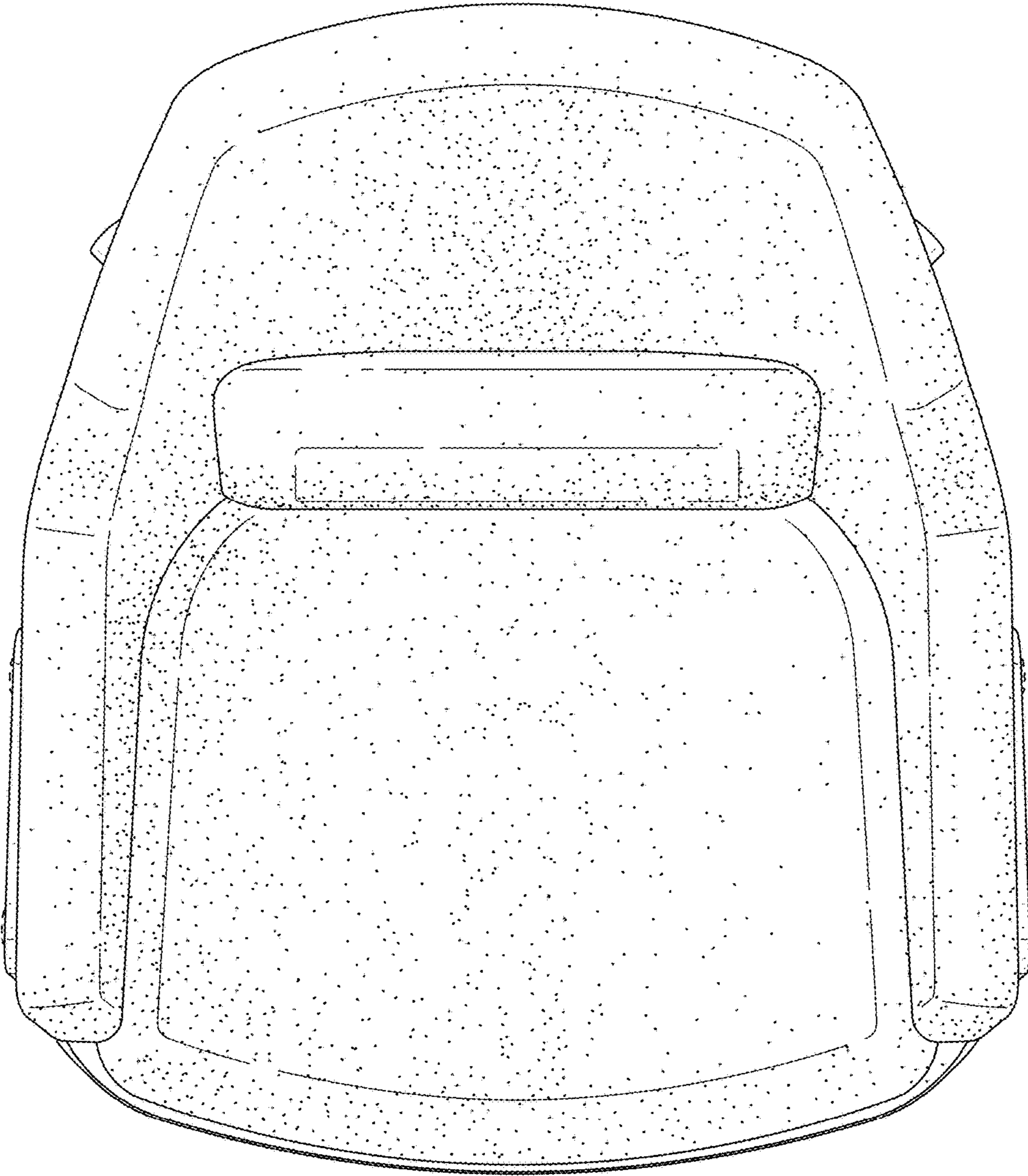


FIG. 5

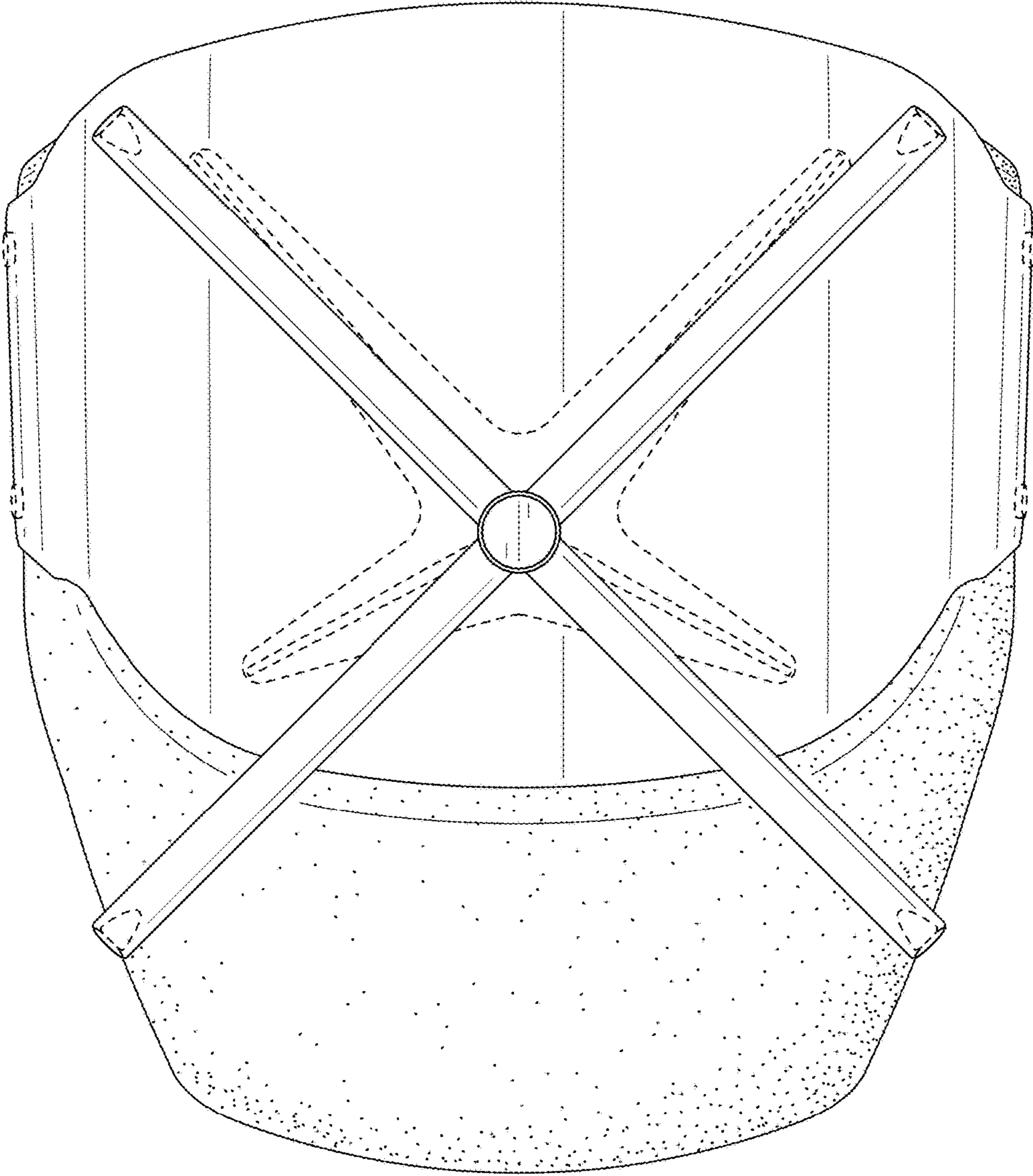


FIG. 6