



US00D859866S

(12) **United States Design Patent**
Wu

(10) **Patent No.:** **US D859,866 S**
(45) **Date of Patent:** **** Sep. 17, 2019**

(54) **OFFICE CHAIR**

(71) Applicant: **Yao Chuan Wu**, Chiayi Hsien (TW)

(72) Inventor: **Yao Chuan Wu**, Chiayi Hsien (TW)

(**) Term: **15 Years**

(21) Appl. No.: **29/608,414**

(22) Filed: **Jun. 21, 2017**

(30) **Foreign Application Priority Data**

Mar. 22, 2017 (CN) 2017 3 0086664

(51) **LOC (12) Cl.** **06-01**

(52) **U.S. Cl.**
USPC **D6/366**

(58) **Field of Classification Search**
USPC D6/334-336, 364, 365, 366, 367, 374,
D6/379, 380, 716, 716.1, 716.2, 716.4
CPC A47C 3/18; A47C 3/20; A47C 5/04; A47C
5/06; A47C 7/004; A47C 7/006; A47C
7/18; A47C 7/24; A47C 7/40; A47C 7/46;
A47C 7/54
See application file for complete search history.

(56) **References Cited**

U.S. PATENT DOCUMENTS

D543,040 S * 5/2007 Hara D6/366
D568,624 S * 5/2008 Wen D6/366
D650,617 S * 12/2011 Chen D6/366
D656,329 S * 3/2012 Nakamura D6/366

D684,783 S * 6/2013 Hsiao D6/366
8,528,980 B1 * 9/2013 Hsiao A47C 7/46
297/284.4
D707,459 S * 6/2014 Ma D6/366

FOREIGN PATENT DOCUMENTS

CA 2798532 A1 * 12/2011 A47C 7/46
DE 202017105836 U1 * 10/2017 A47C 3/20
WO WO-03015583 A2 * 2/2003 A47C 7/46
WO WO-2015160693 A1 * 10/2015 A47C 7/46

* cited by examiner

Primary Examiner — Mimoso De

(74) *Attorney, Agent, or Firm* — WPAT, PC

(57) **CLAIM**

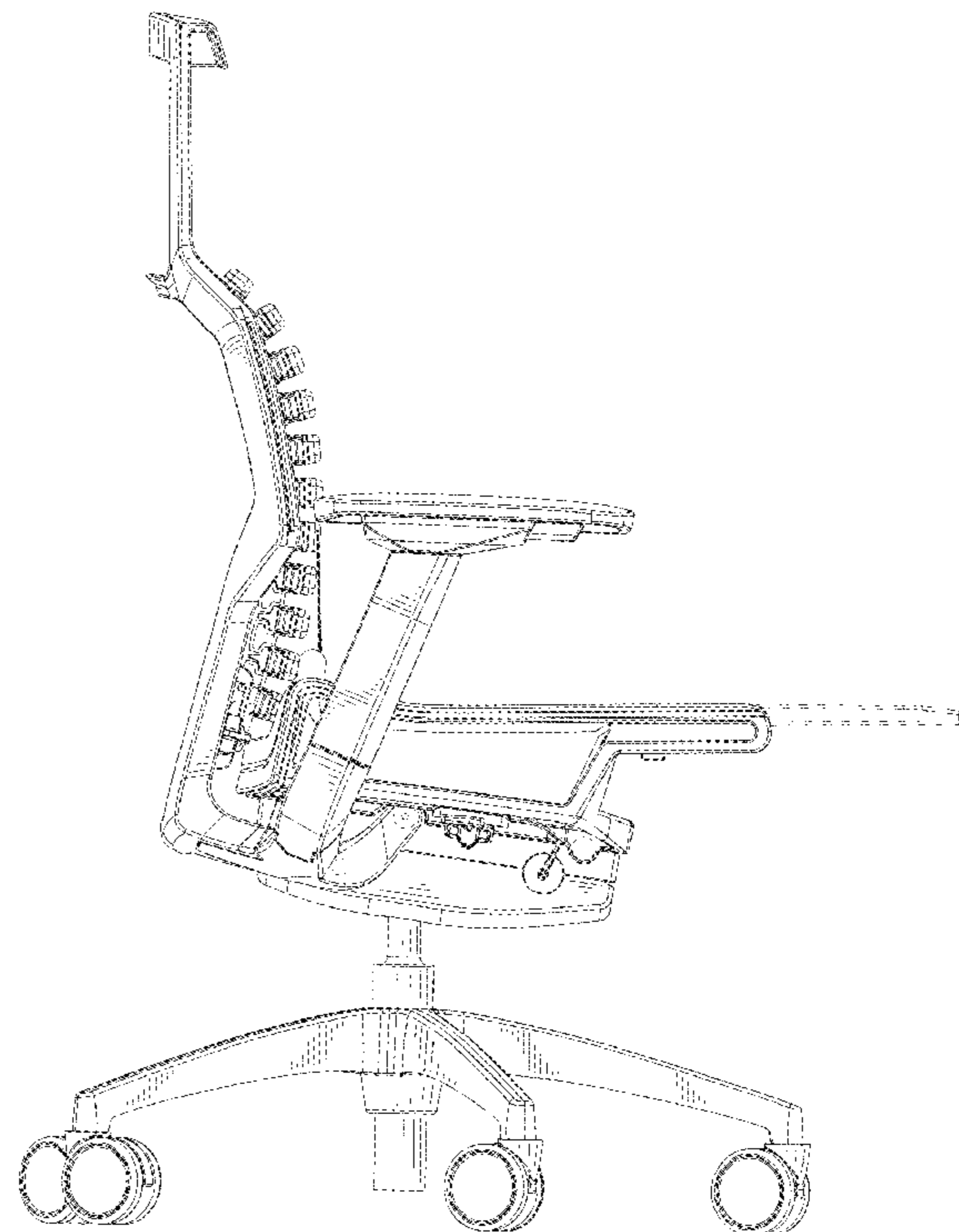
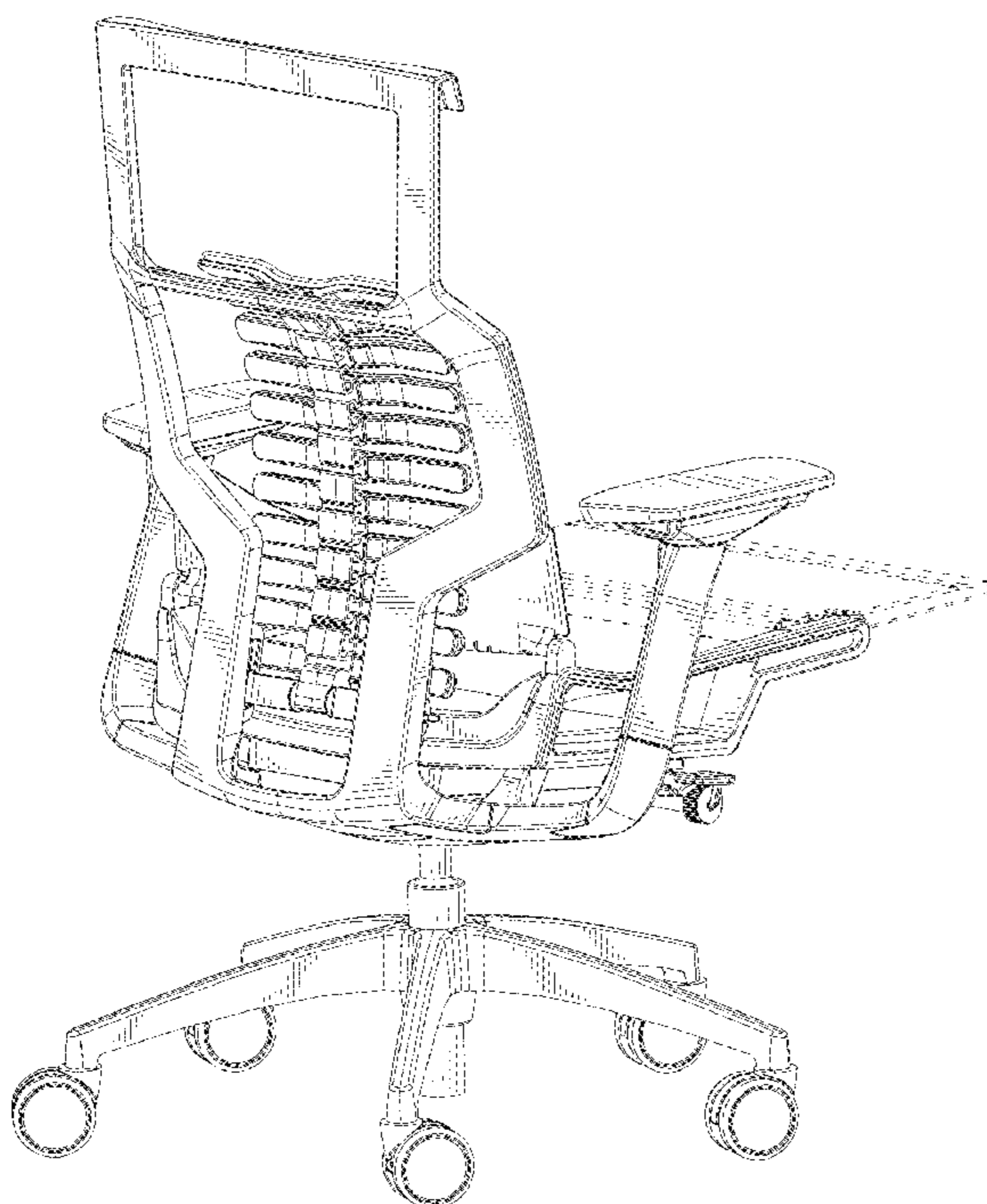
The ornamental design for an office chair, as shown and described.

DESCRIPTION

FIG. 1 is a perspective view of an office chair, showing my new design;
FIG. 2 is a front view thereof;
FIG. 3 is a rear view thereof;
FIG. 4 is a left side view thereof;
FIG. 5 is a right side view thereof; and,
FIG. 6 is a top view thereof.

The broken lines depict environmental subject matter, are for illustration only and form no part of the claimed design.

1 Claim, 6 Drawing Sheets



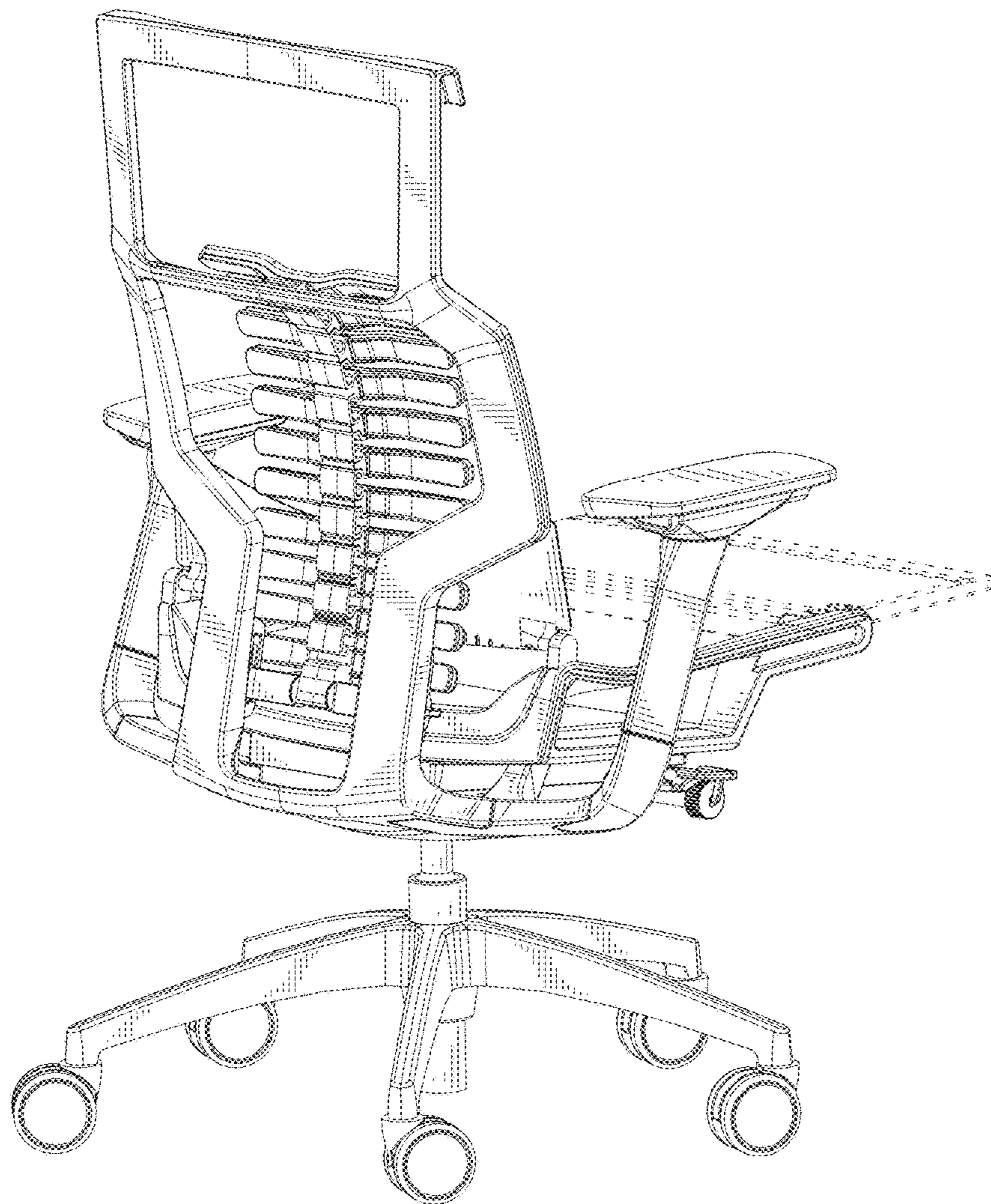


FIG. 1

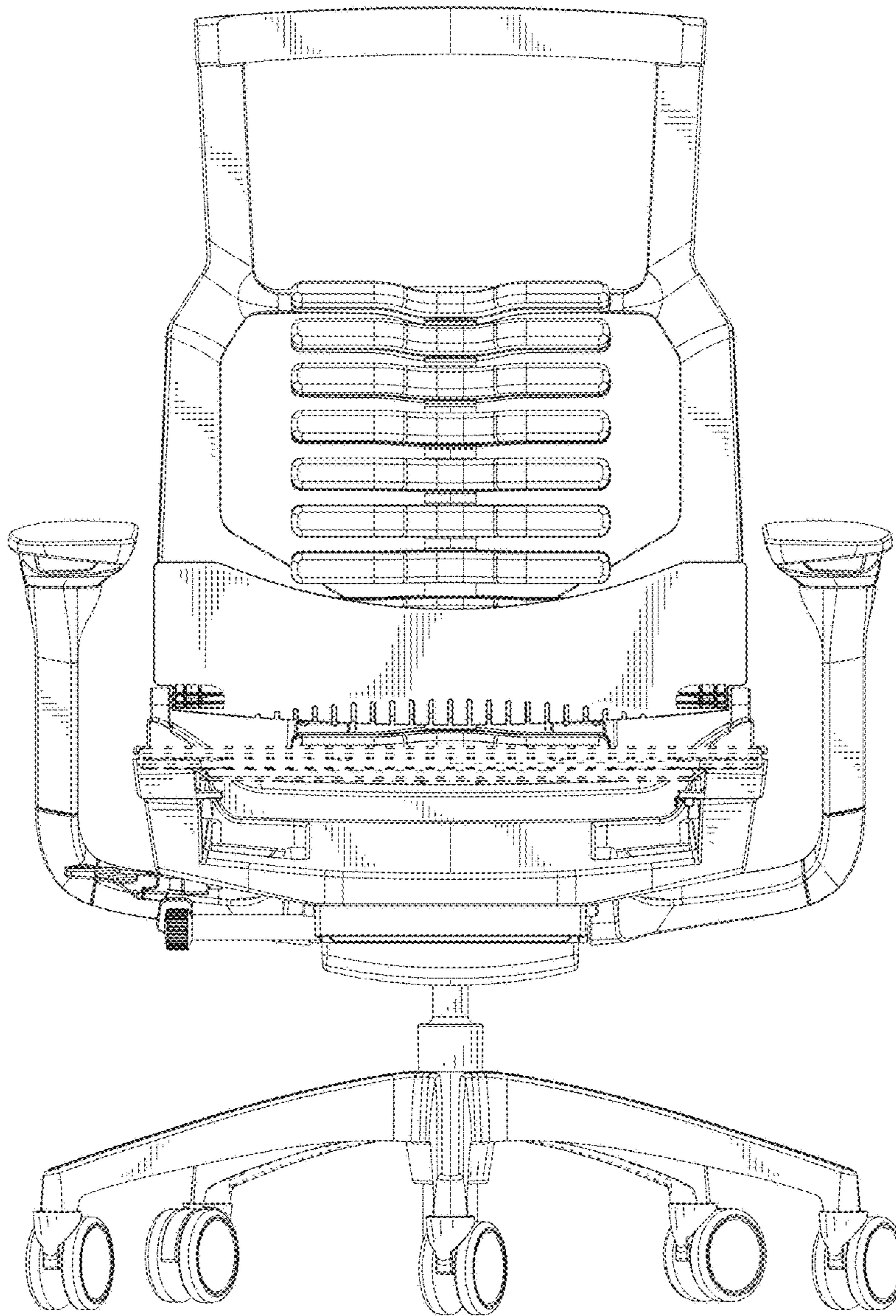


FIG.2

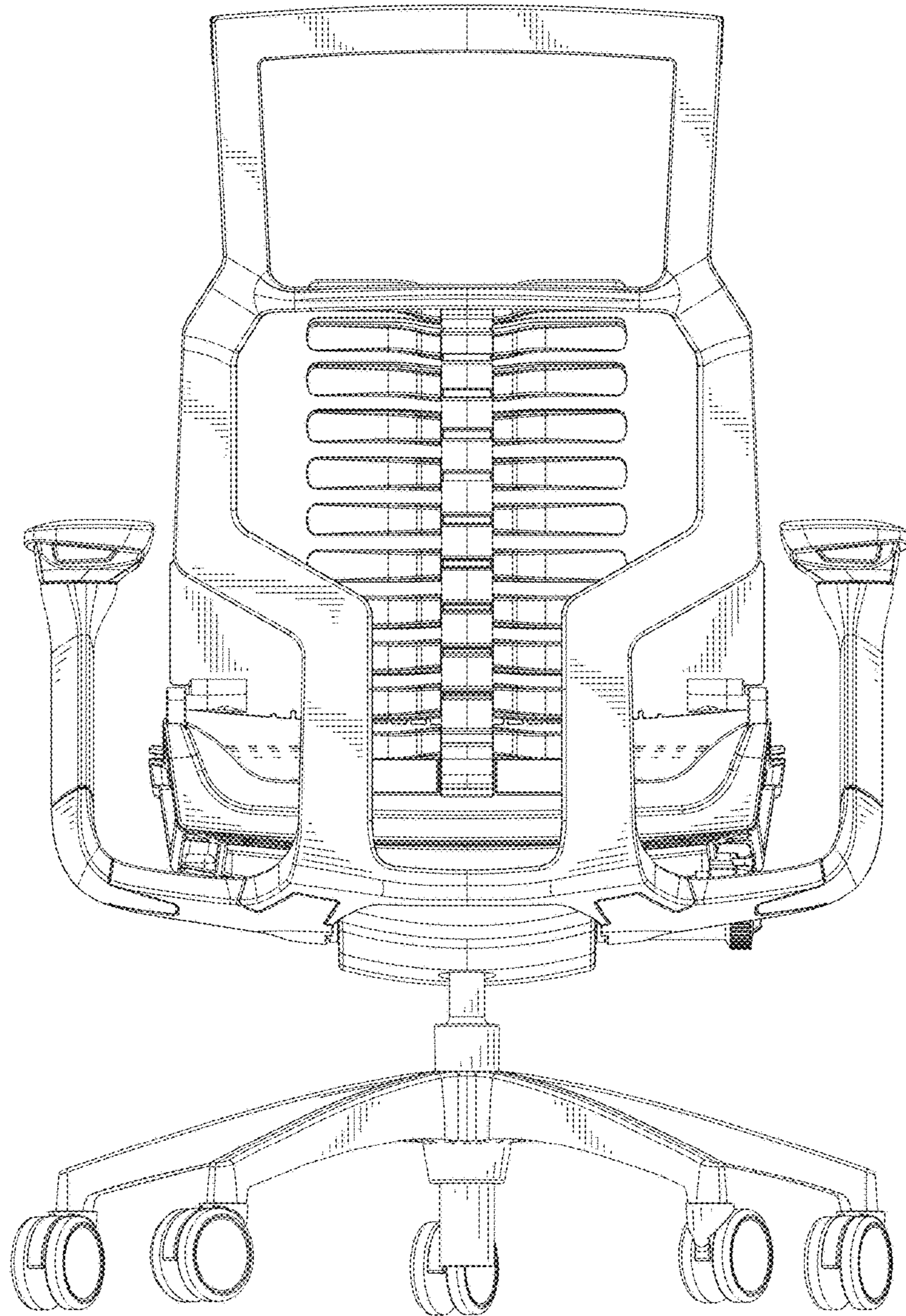


FIG.3

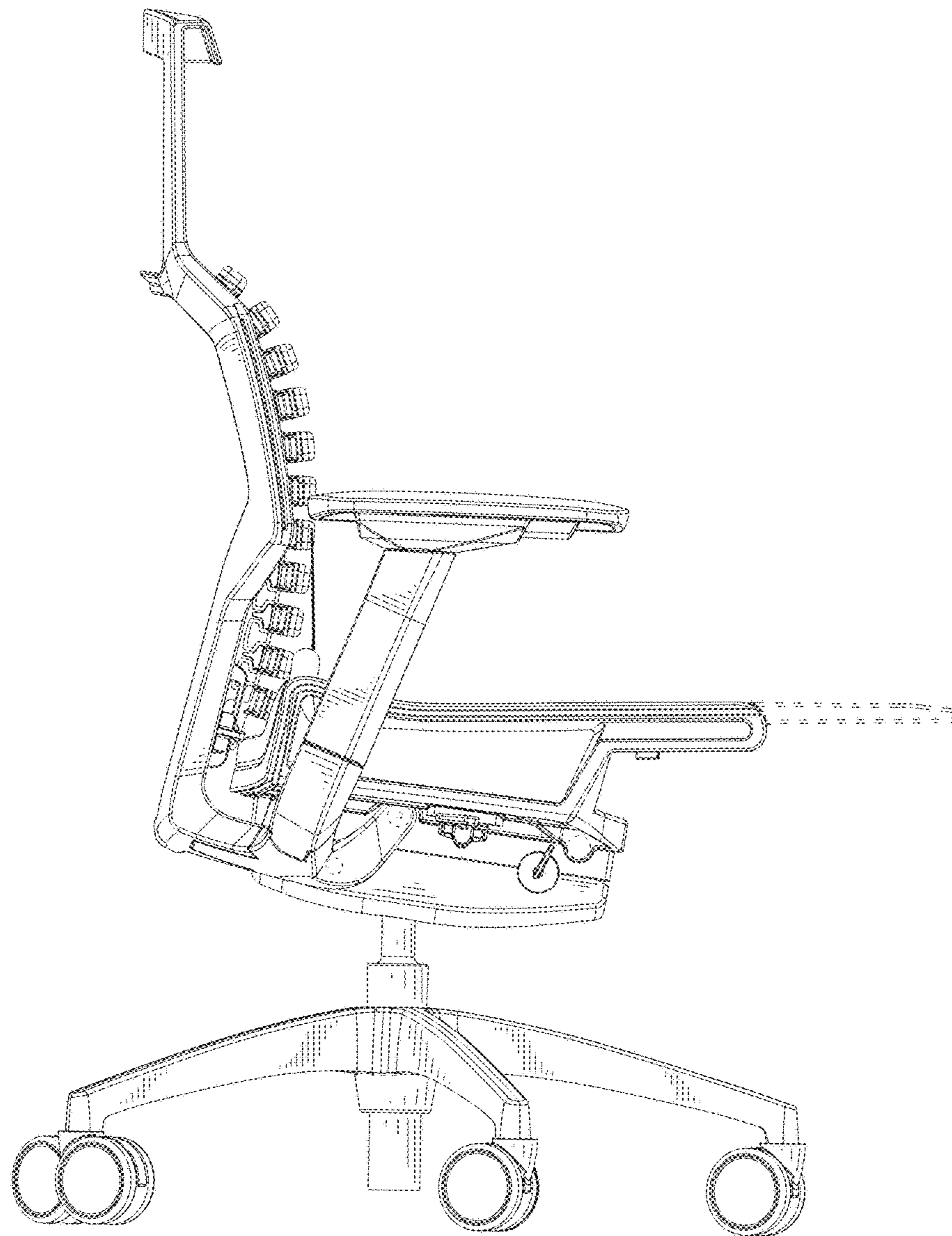


FIG.4

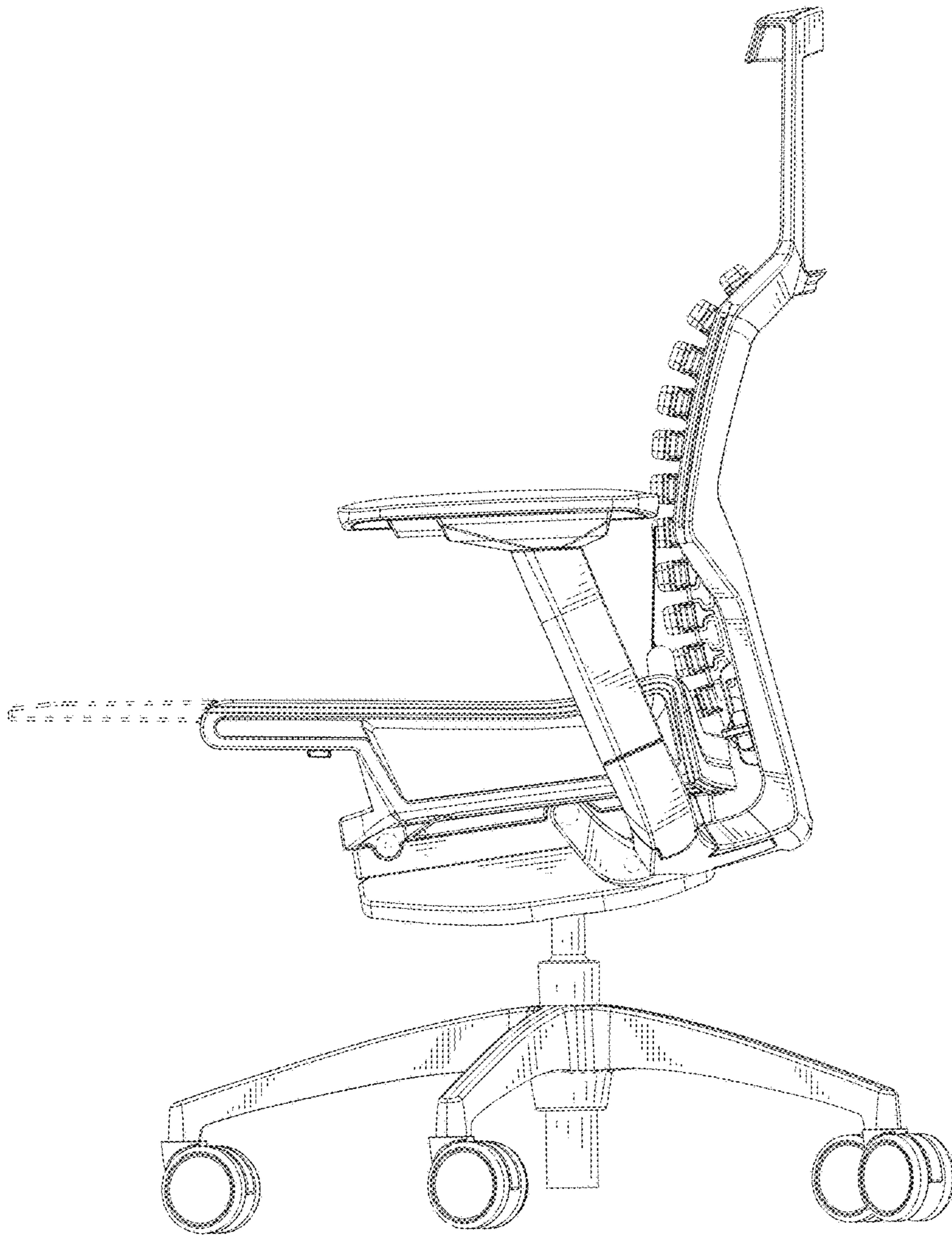


FIG.5

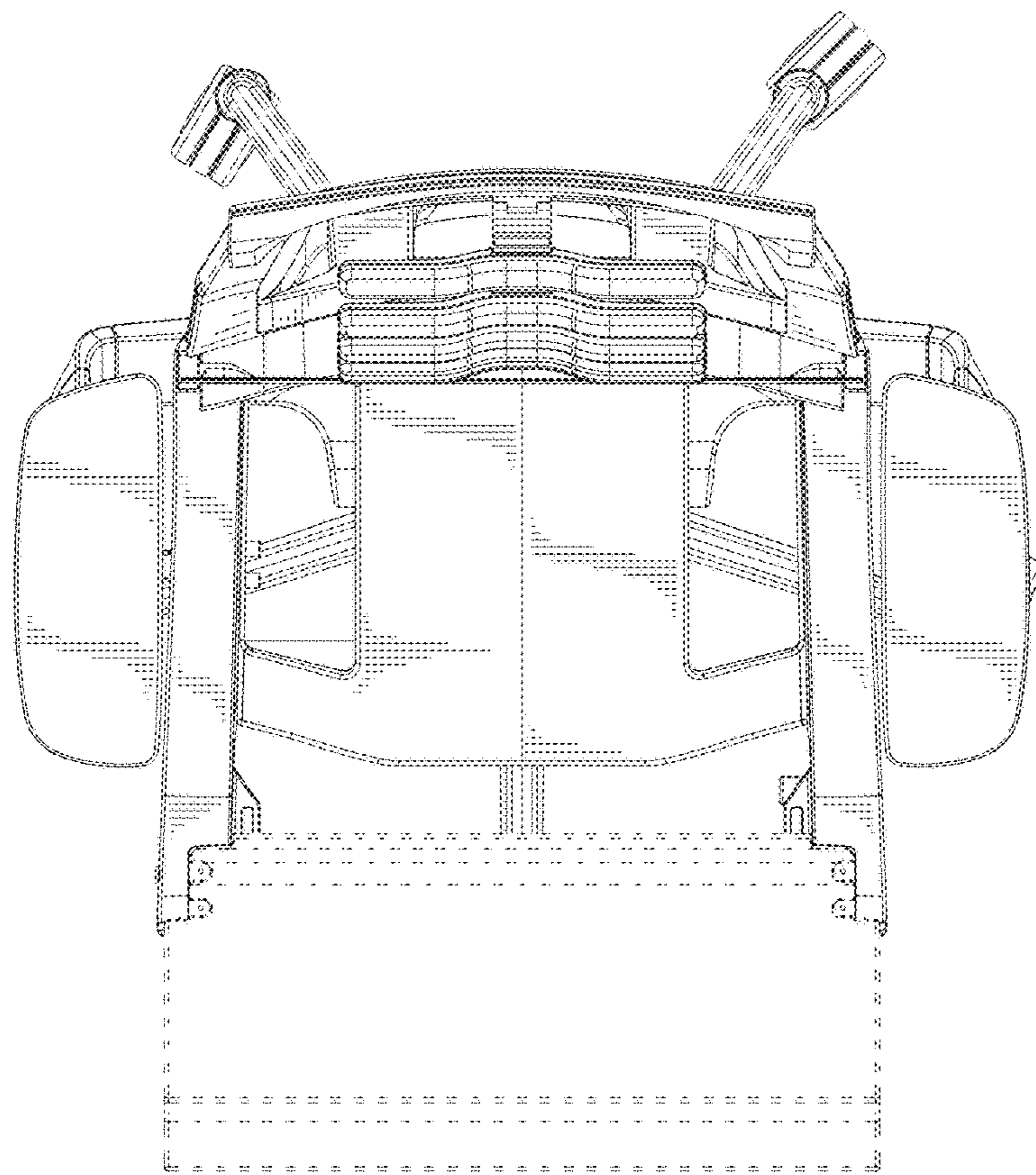


FIG.6