



US00D859865S

(12) **United States Design Patent**
Berlinches

(10) **Patent No.:** **US D859,865 S**

(45) **Date of Patent:** **** Sep. 17, 2019**

(54) **CHAIR**

(71) Applicant: **F. Smit Holding B.V.**, KA Doetinchem (NL)

(72) Inventor: **David Nadal Berlinches**, Madrid (ES)

(73) Assignee: **F. SMIT HOLDING B.V.**, Doetinchem (NL)

(**) Term: **15 Years**

(21) Appl. No.: **29/590,898**

(22) Filed: **Jan. 13, 2017**

(30) **Foreign Application Priority Data**

Jul. 13, 2016 (EM) 3304807-0001

(51) **LOC (12) Cl.** **06-01**

(52) **U.S. Cl.**
USPC **D6/366**

(58) **Field of Classification Search**

USPC D6/334-336, 356, 364, 365, 366, 367,
D6/374, 375, 379, 380, 716, 716.1, 716.3,
D6/716.4, 708.23

CPC .. A47C 4/028; A47C 7/18; A47C 7/24; A47C
7/38; A47C 7/40; A47C 9/007; A47C
7/004; A47C 7/006; B60N 2/02; B60N
2/22

See application file for complete search history.

(56) **References Cited**

U.S. PATENT DOCUMENTS

D135,333 S *	3/1943	Brown	D6/366
D261,078 S *	10/1981	Wilson	D6/366
D273,729 S *	5/1984	Pelly	D6/366
D274,865 S *	7/1984	Murry	D6/366
D274,958 S *	8/1984	Aronowitz	D6/366
D275,054 S *	8/1984	Aronowitz	D6/366

D283,762 S *	5/1986	Caruso	D6/335
D296,623 S *	7/1988	Chadwick	D6/366
D326,372 S *	5/1992	Edwards	D6/360
D439,066 S *	3/2001	Hannes	D6/366
D488,630 S *	4/2004	McCann	D6/366
D549,475 S *	8/2007	Su	D6/356
D693,586 S *	11/2013	Lenterman	D6/366

(Continued)

Primary Examiner — Mimoso De

(74) *Attorney, Agent, or Firm* — Abelman, Frayne & Schwab

(57) **CLAIM**

The ornamental design for a chair, as shown and described.

DESCRIPTION

FIG. 1 is a front perspective view showing one embodiment of a new ornamental design of a chair;

FIG. 2 is a rear perspective view of the embodiment of FIG. 1;

FIG. 3 is a rear view of the embodiment of FIG. 1;

FIG. 4 is front view of the embodiment of FIG. 1;

FIG. 5 is left side view of the embodiment of FIG. 1;

FIG. 6 is right view of the embodiment of FIG. 1;

FIG. 7 is top view of the embodiment of FIG. 1;

FIG. 8 is a front perspective view showing another embodiment of a new ornamental design of a chair;

FIG. 9 is a rear perspective view of the embodiment of FIG. 8;

FIG. 10 is a rear view of the embodiment of FIG. 8;

FIG. 11 is front view of the embodiment of FIG. 8;

FIG. 12 is left side plan view of the embodiment of FIG. 8;

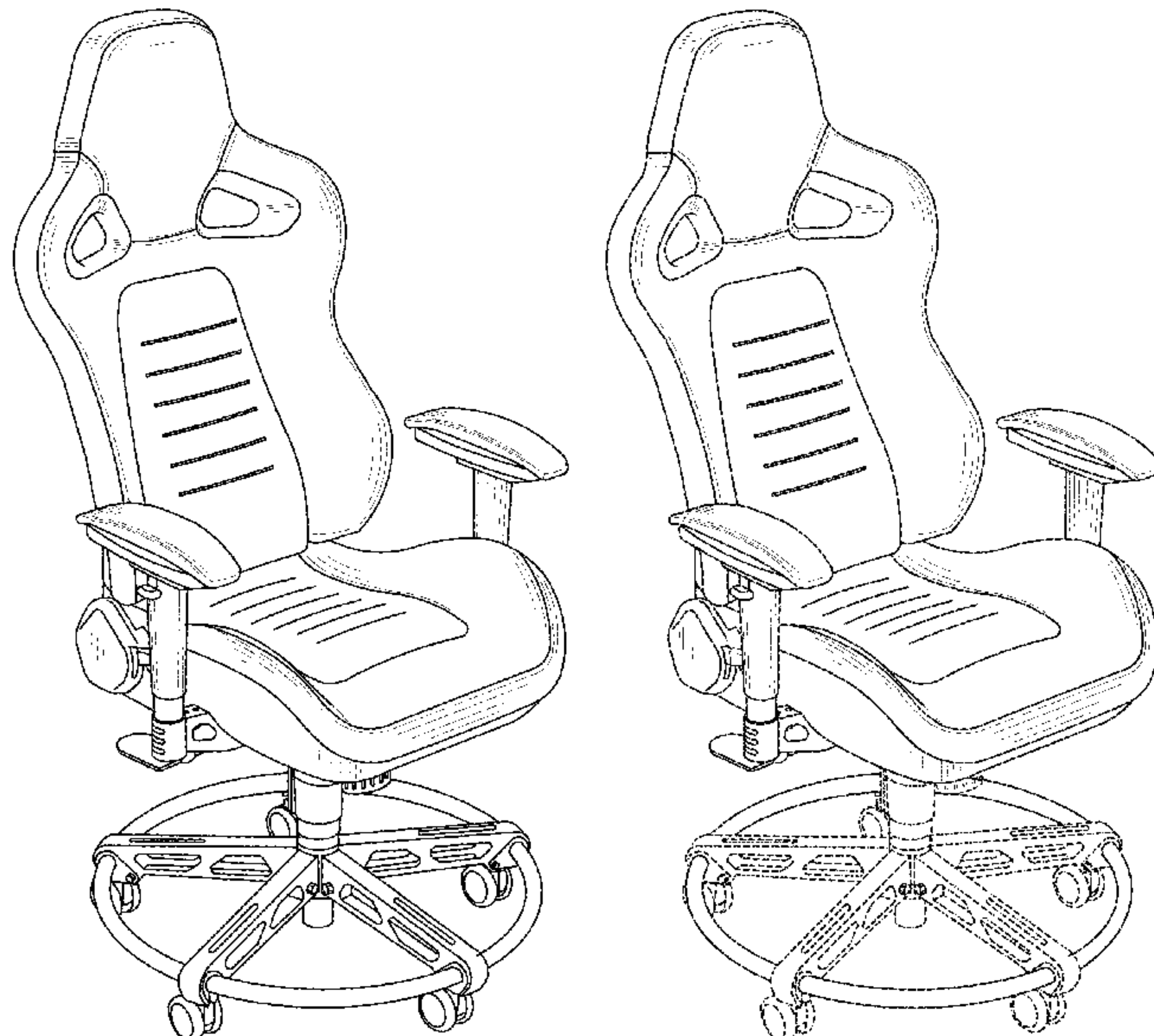
FIG. 13 is right plan view of the embodiment of FIG. 8;

FIG. 14 is top view of the embodiment of FIG. 8; and,

FIG. 15 is bottom view of the embodiment of FIG. 8.

The broken lines in FIGS. 8-15 of portions of the chair base, the cylinder, the levers under the seat, the wheels, and the tilt lever and assembly form no part of the claimed design.

1 Claim, 15 Drawing Sheets



(56)

References Cited

U.S. PATENT DOCUMENTS

9,814,313 B2 * 11/2017 Richardson A47C 7/004
10,226,129 B2 * 3/2019 Christianson A47C 7/006
10,226,710 B2 * 3/2019 Petrov A47C 7/40

* cited by examiner

FIG. 1

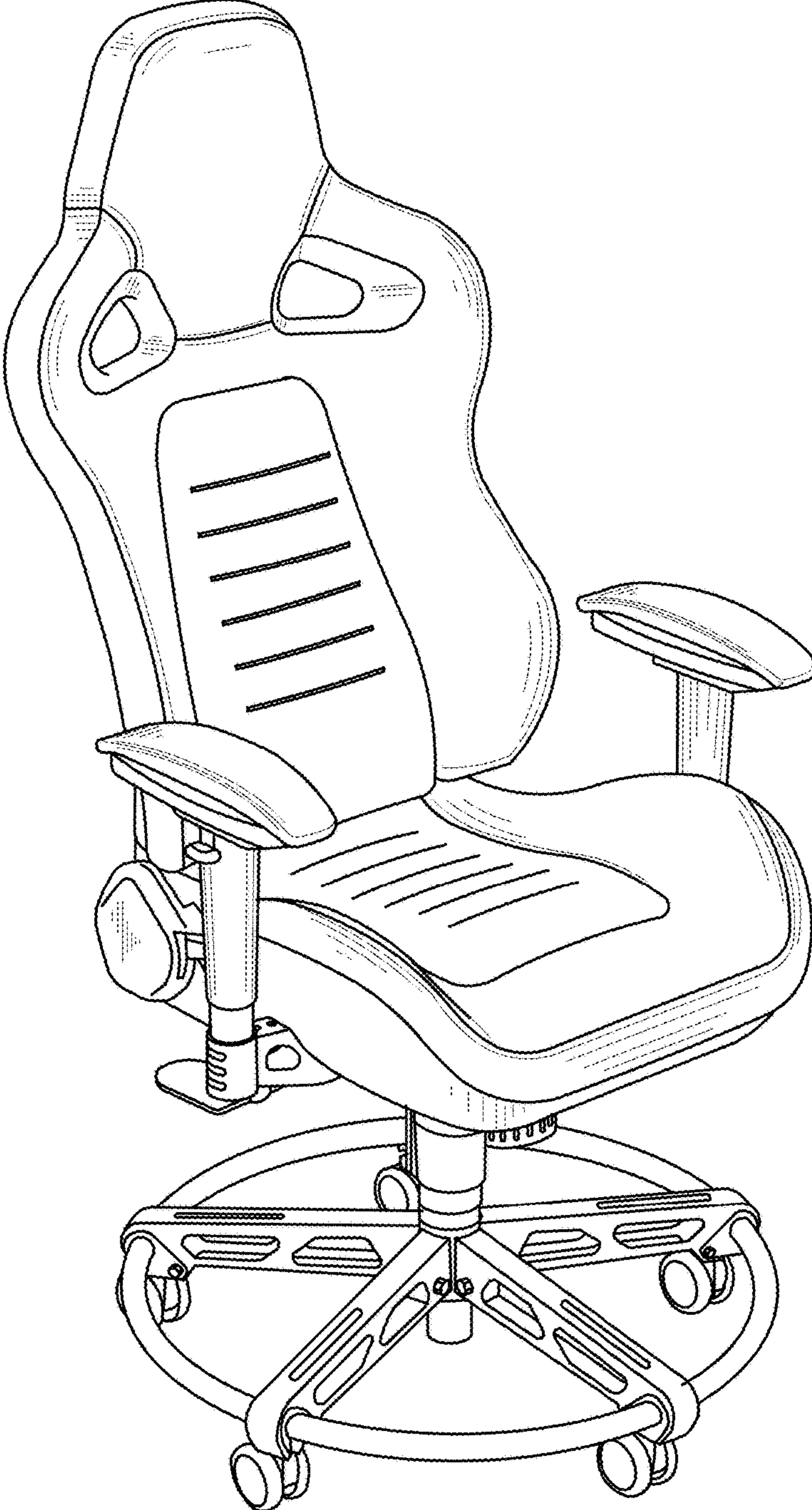


FIG. 2

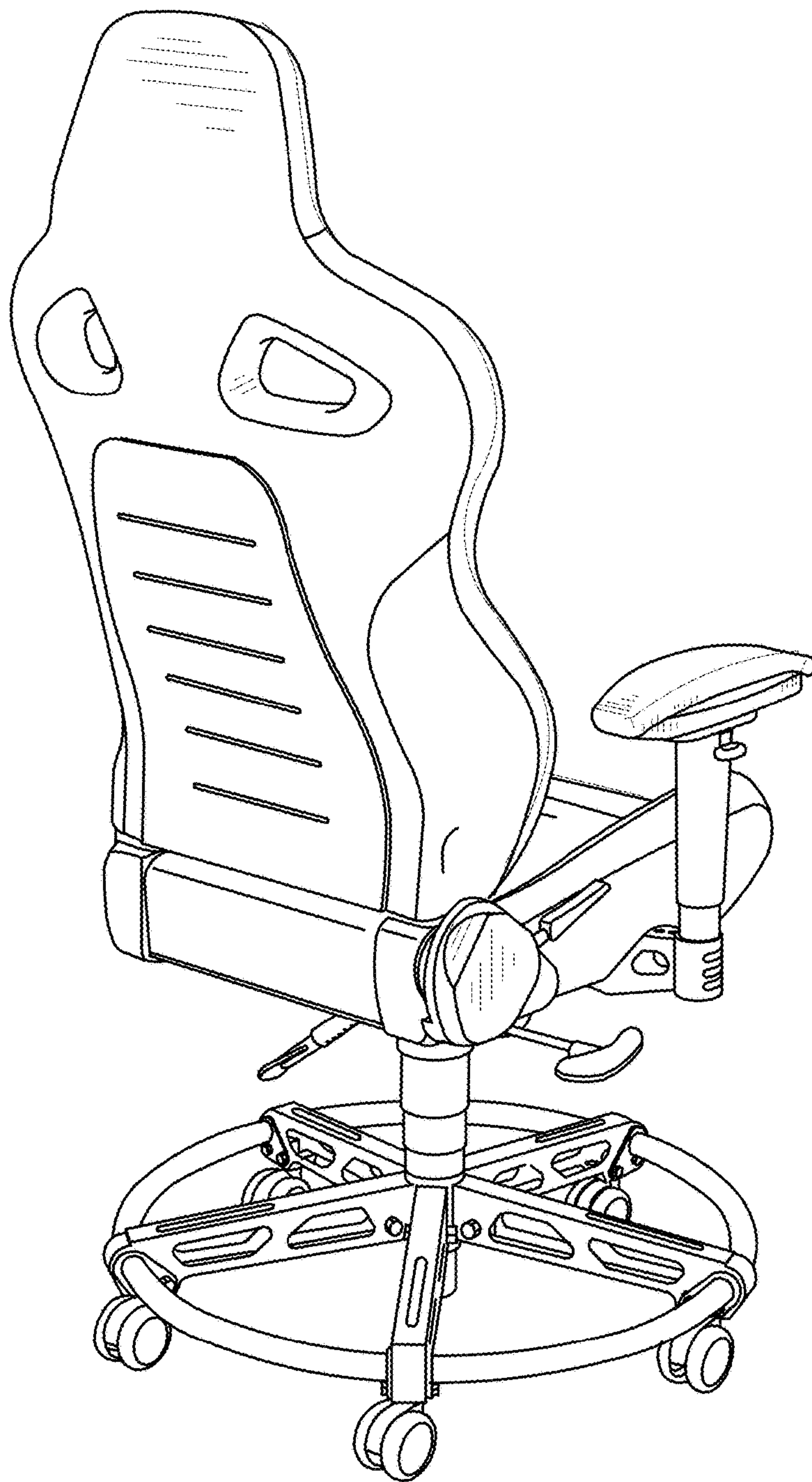


FIG. 3

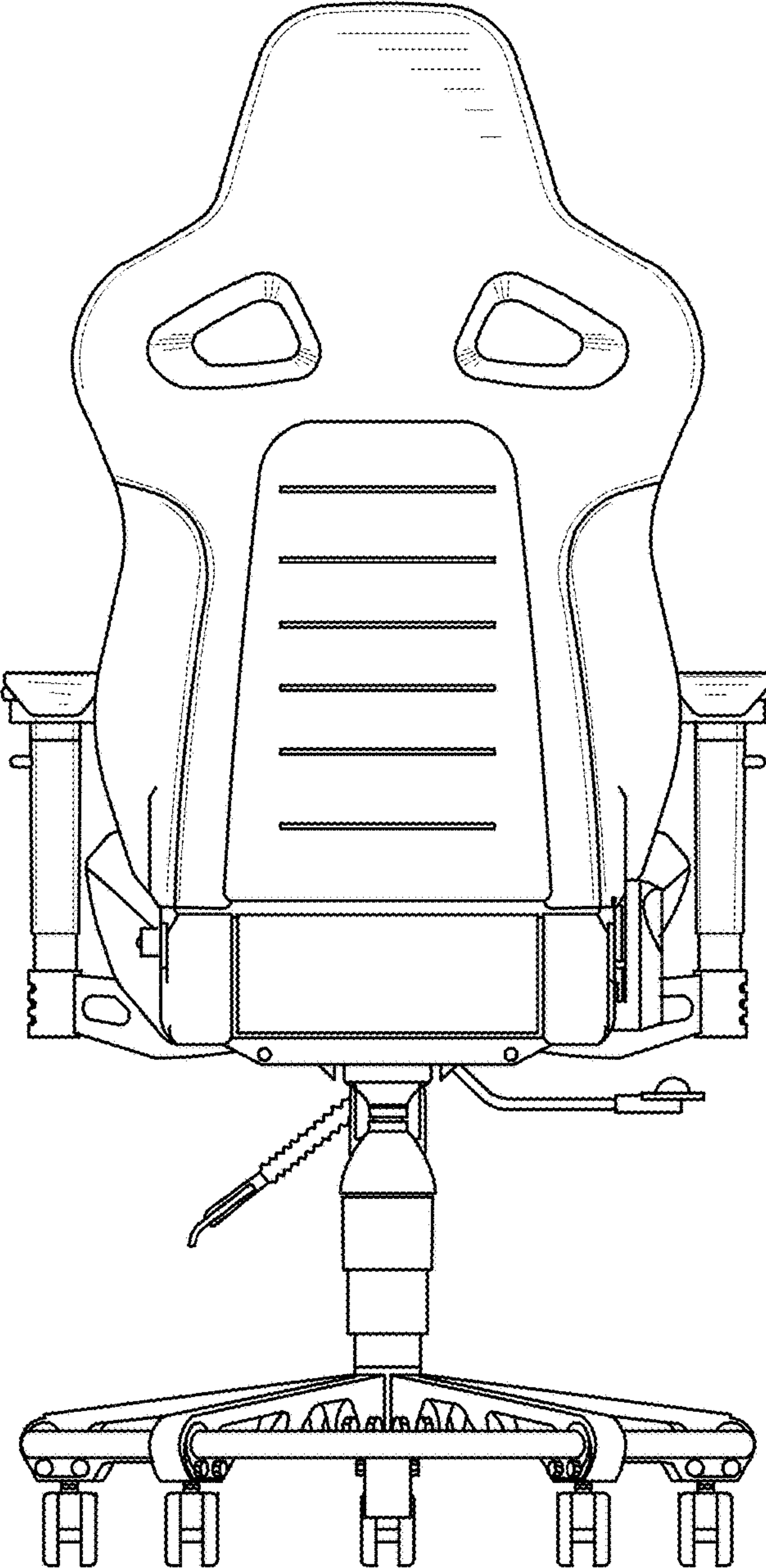


FIG. 4

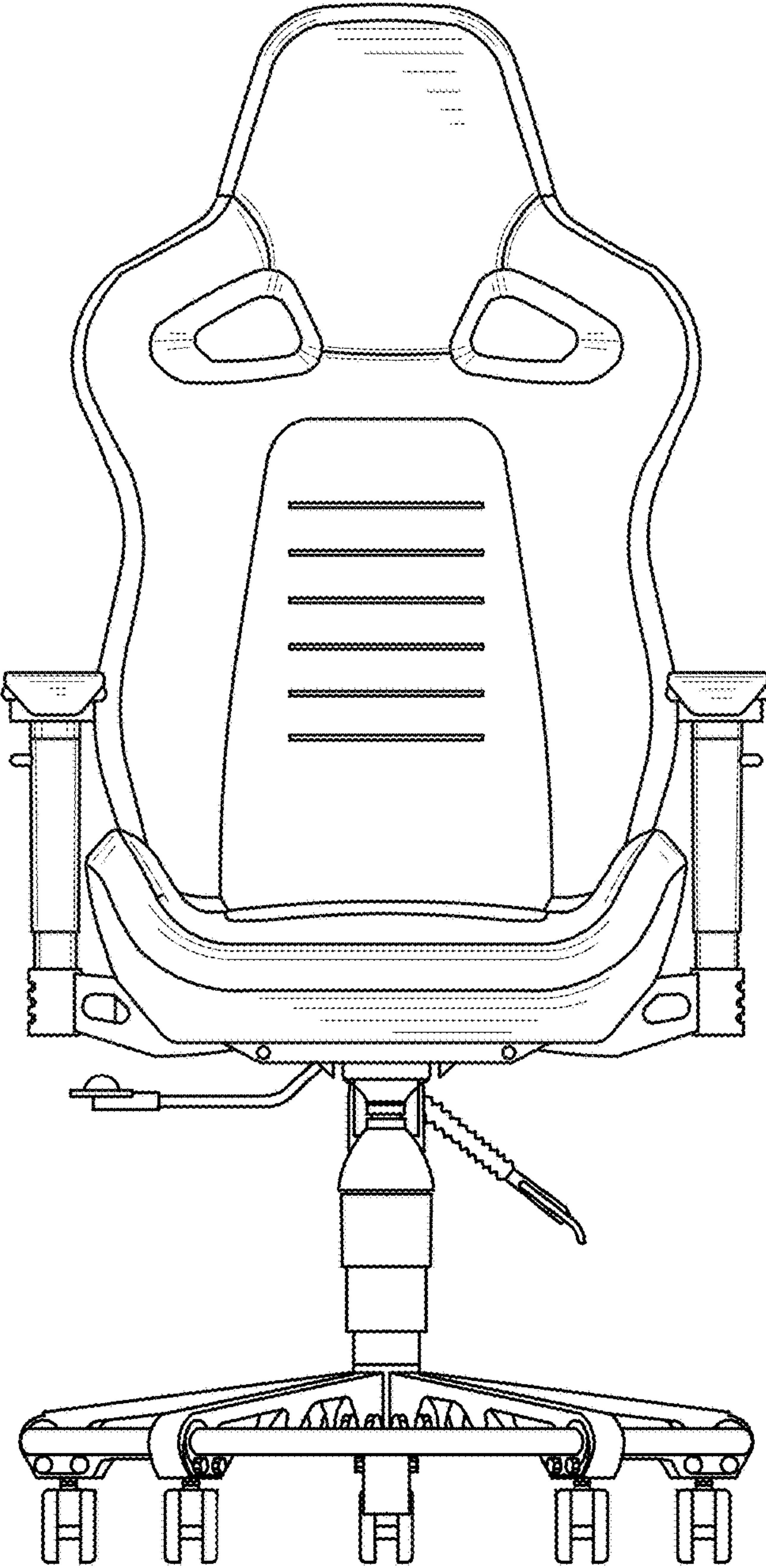


FIG. 5

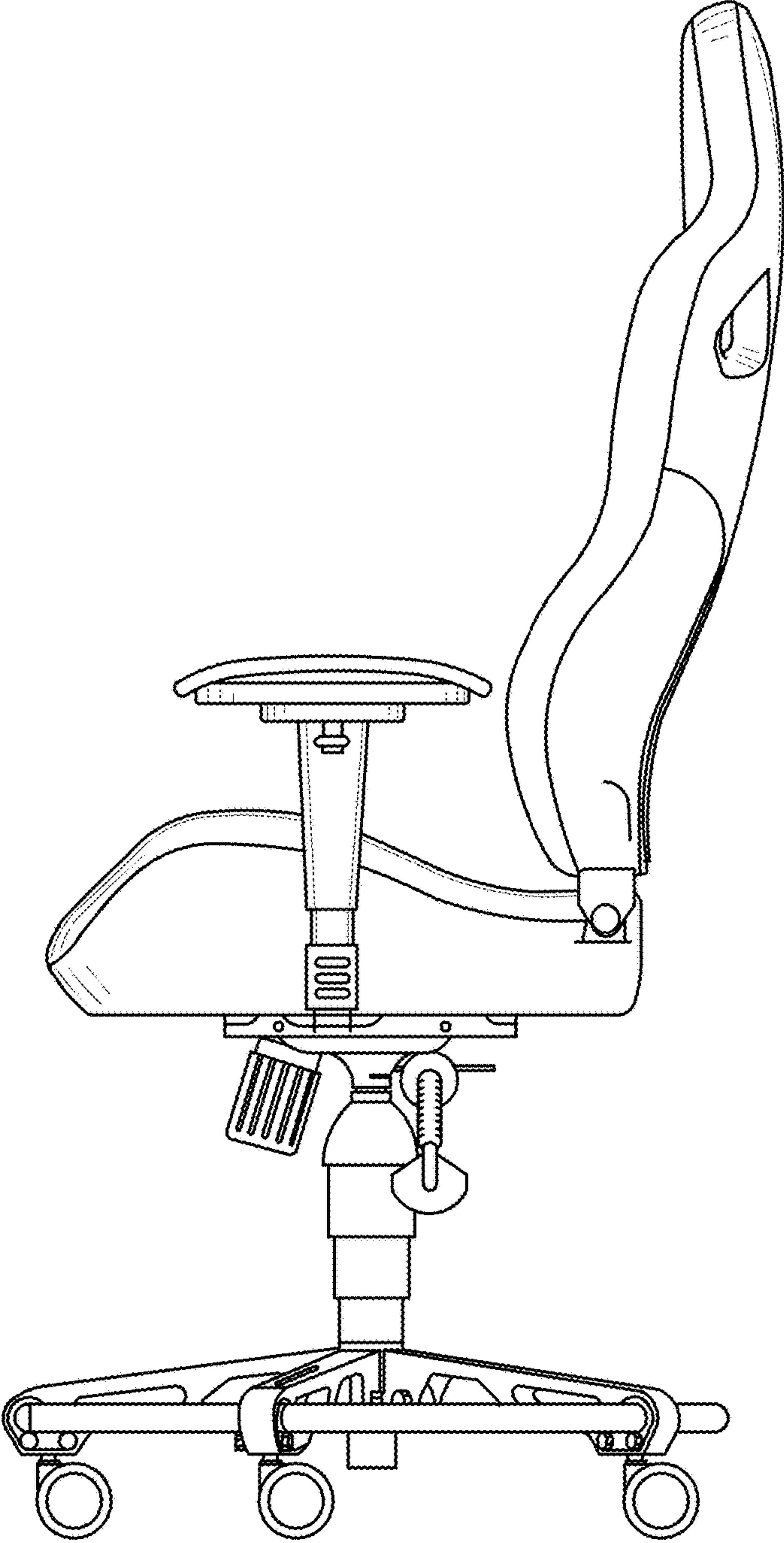


FIG. 6

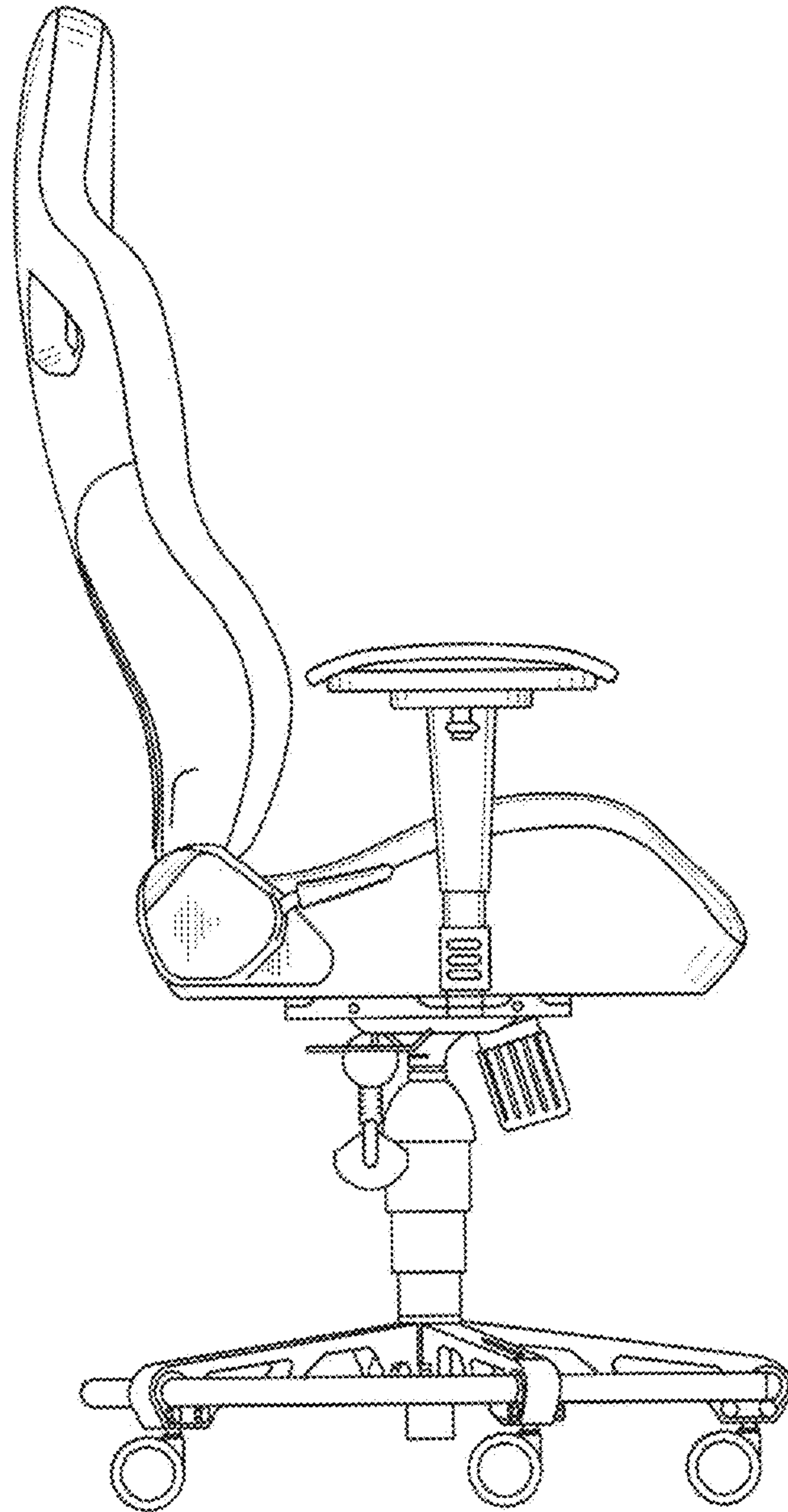


FIG. 7

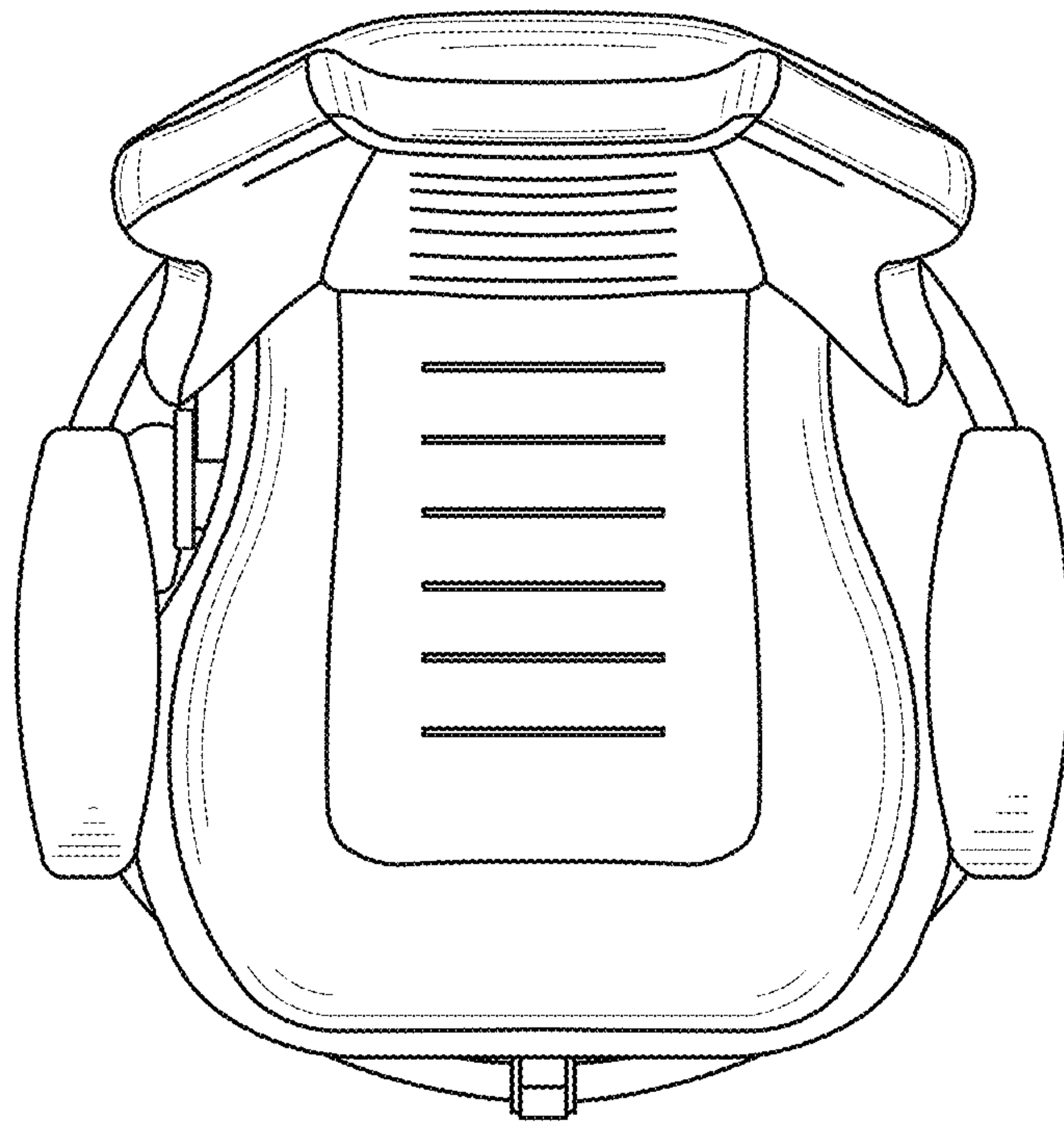


FIG. 8

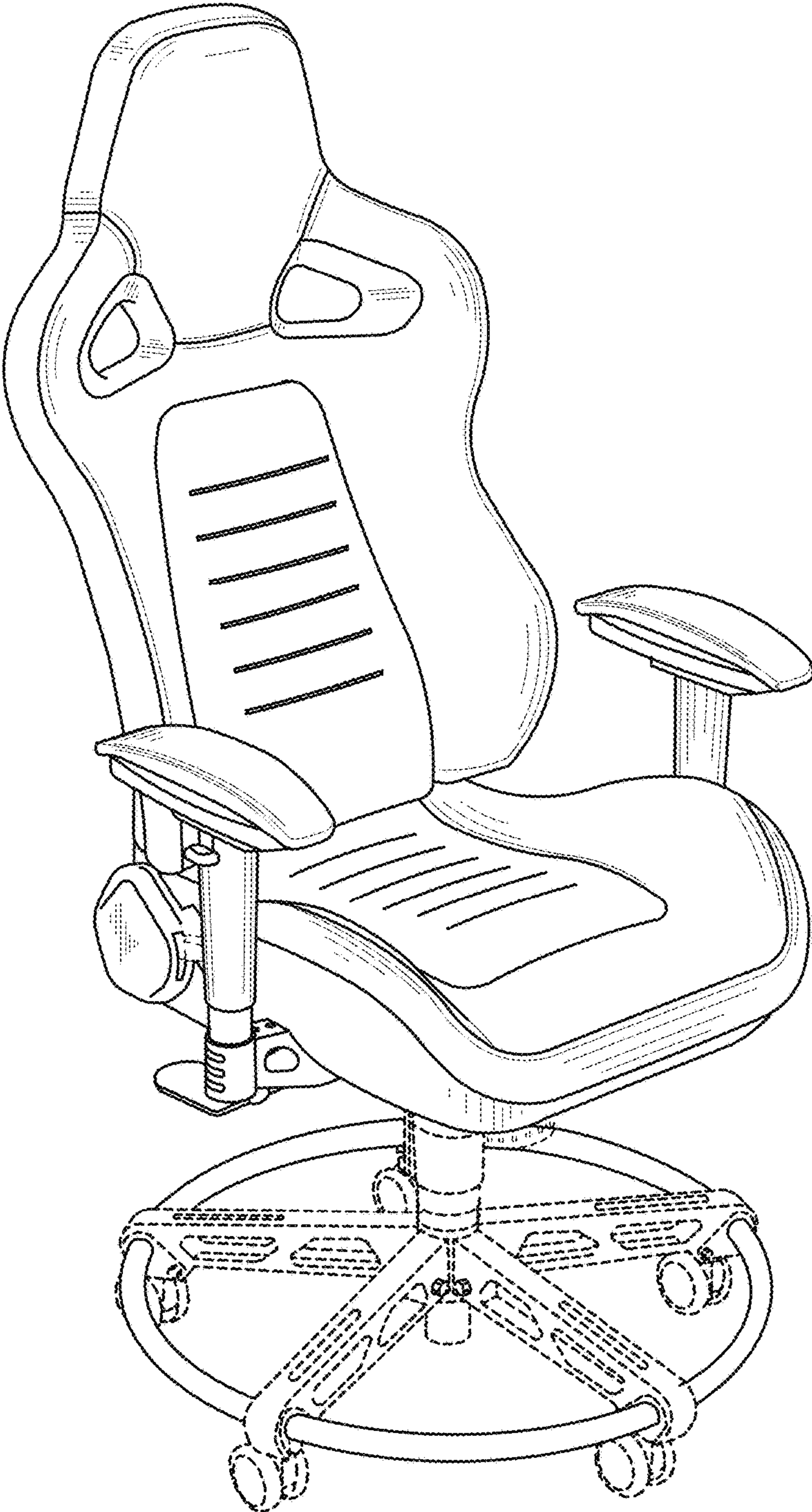


FIG. 9

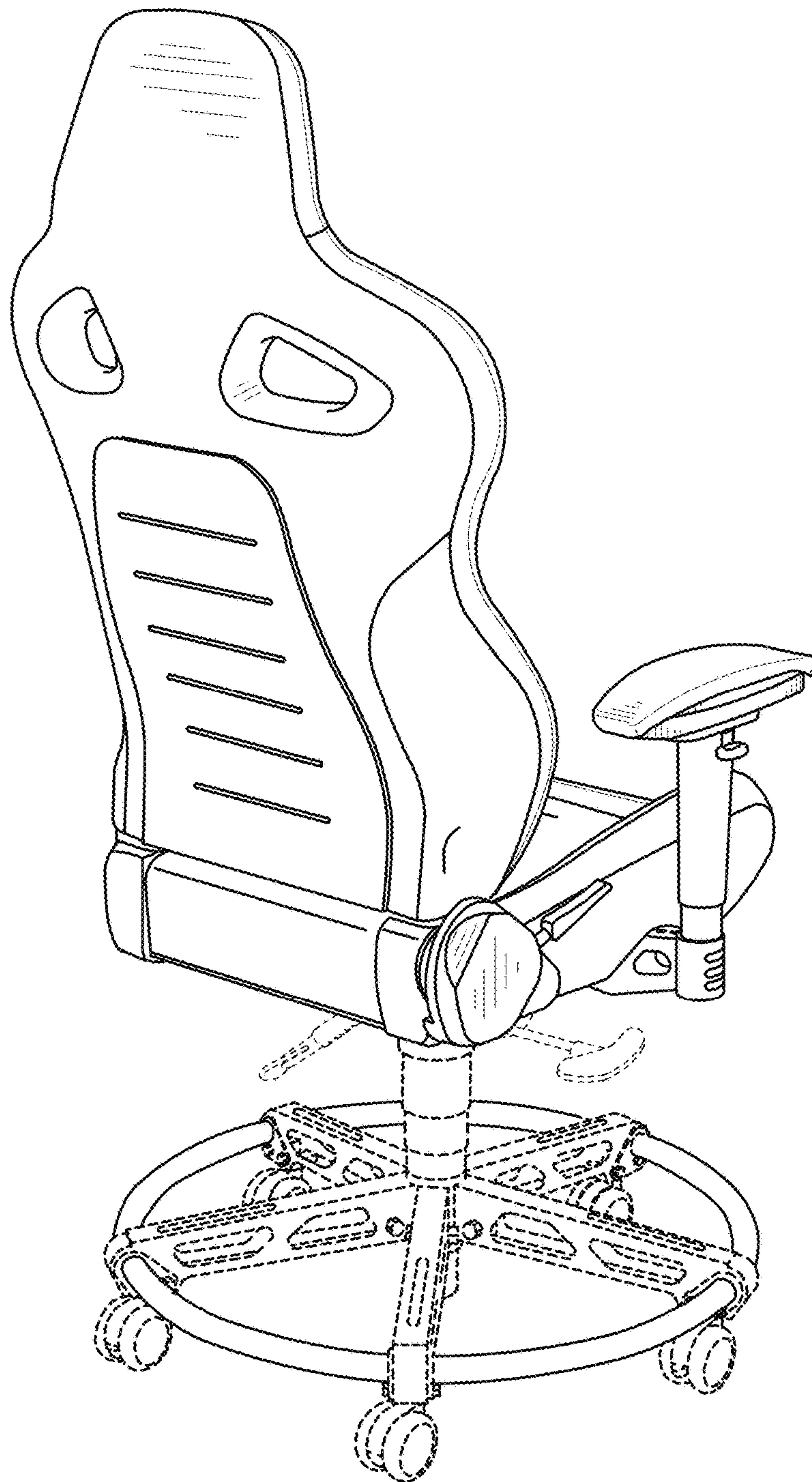


FIG. 10

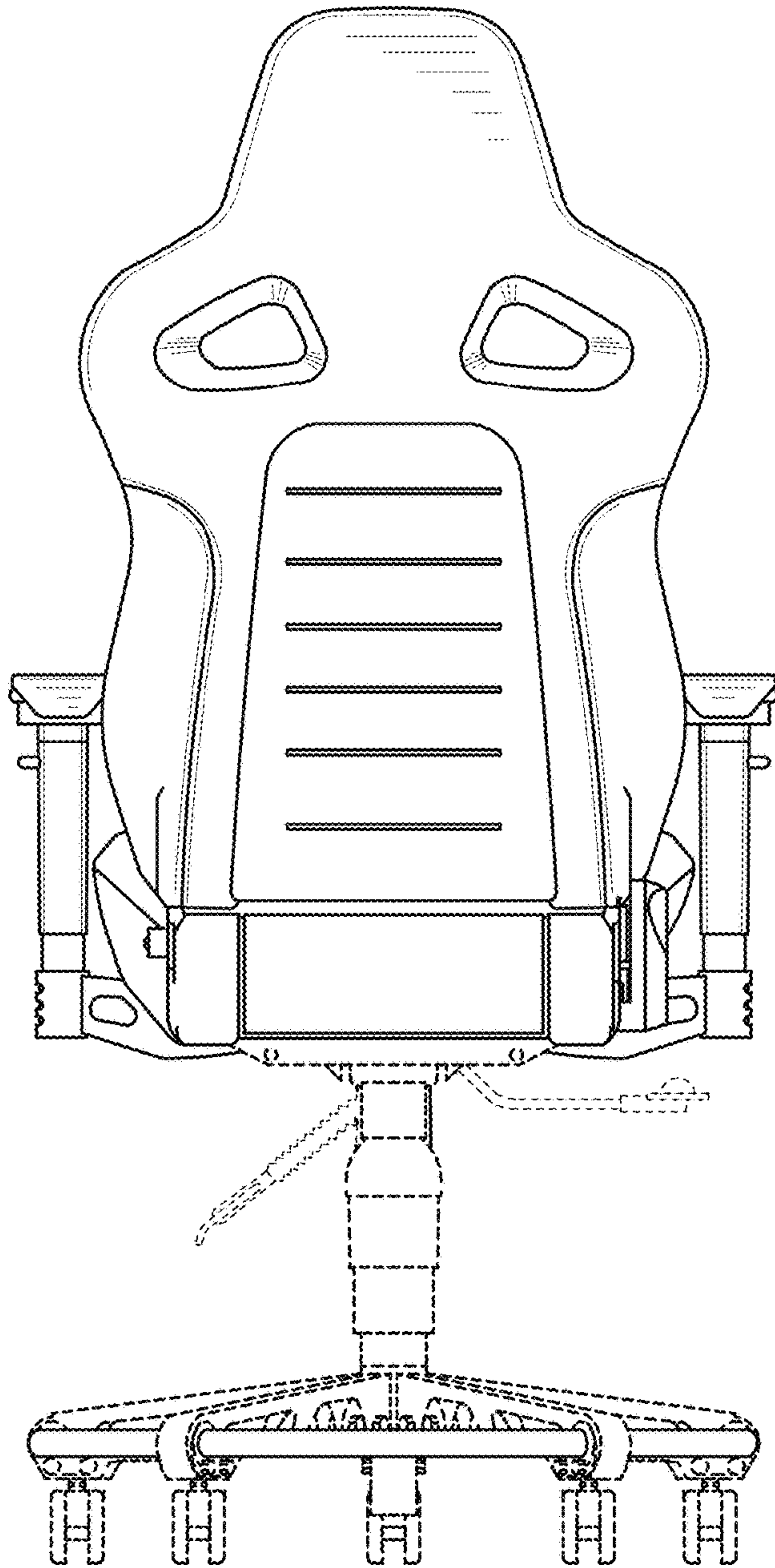


FIG. 11

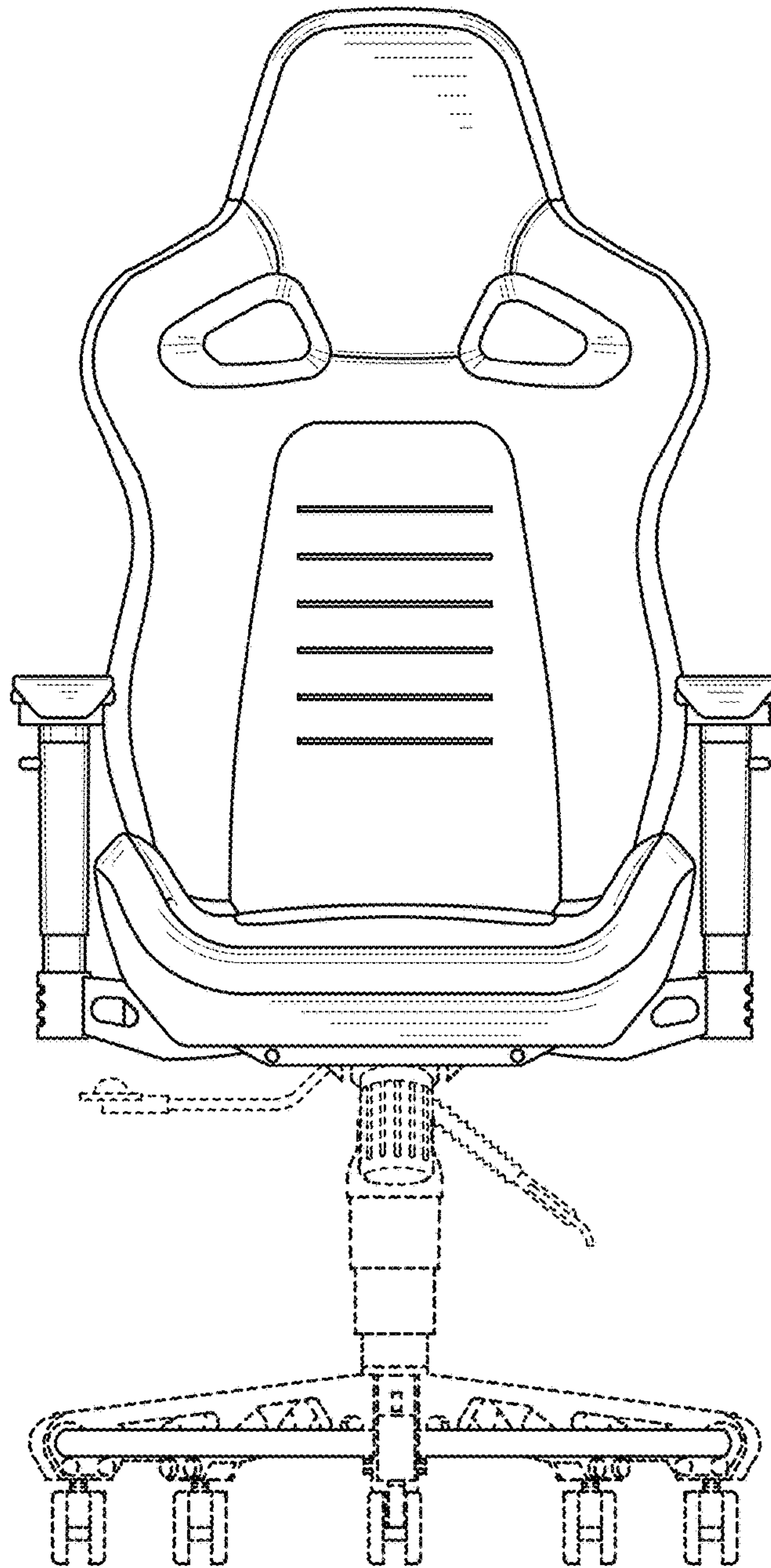


FIG. 12

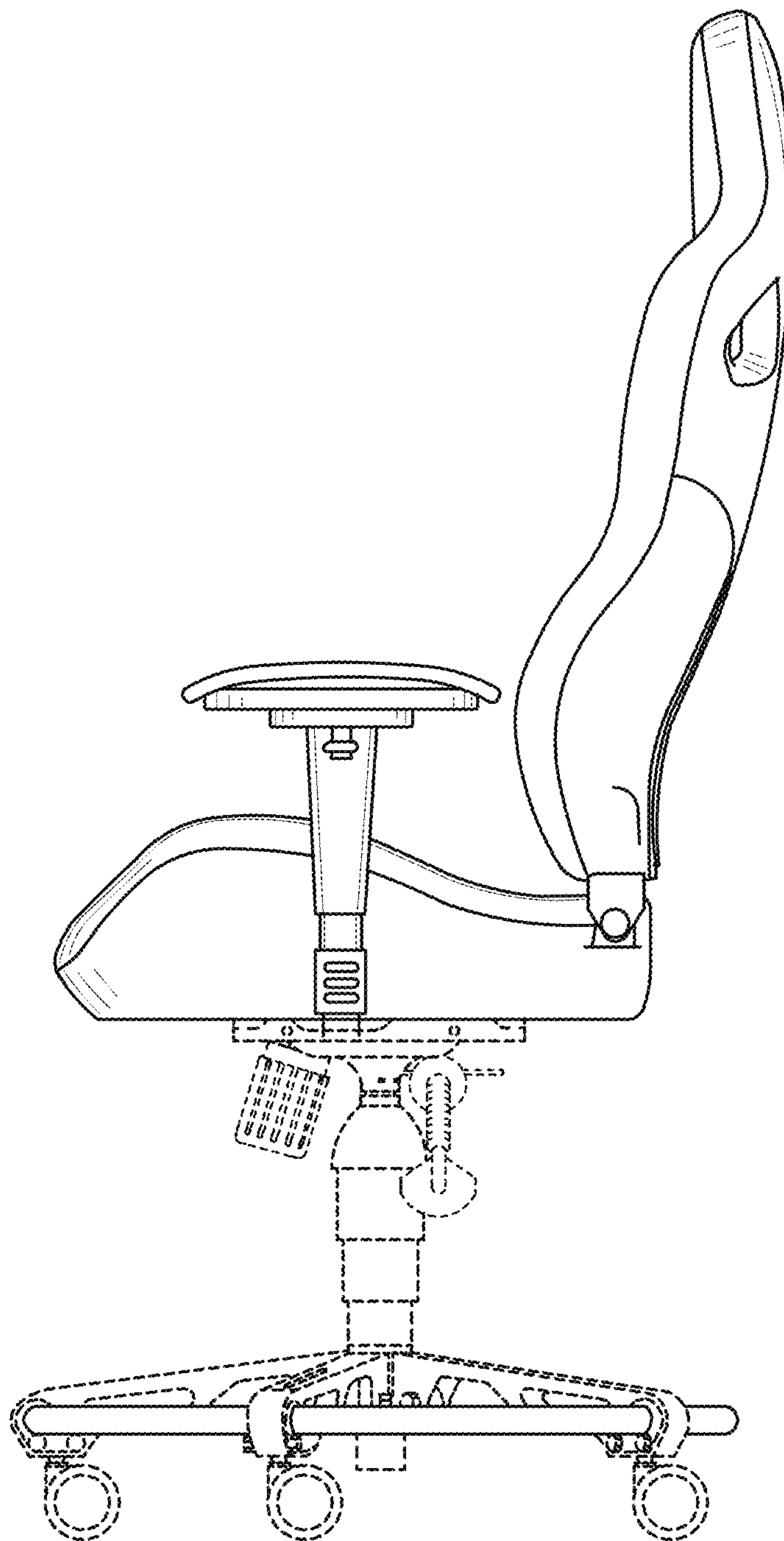


FIG. 13

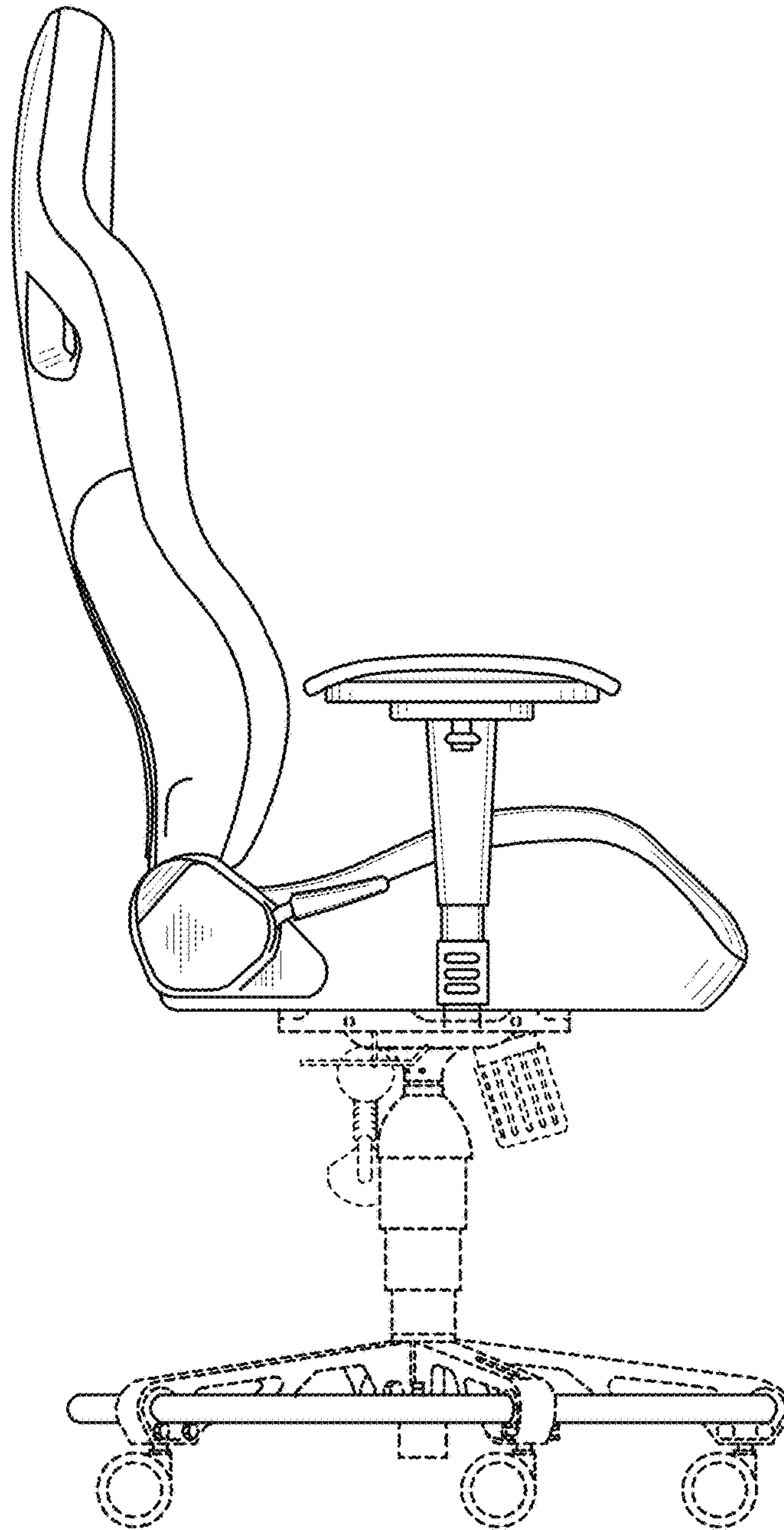


FIG. 14

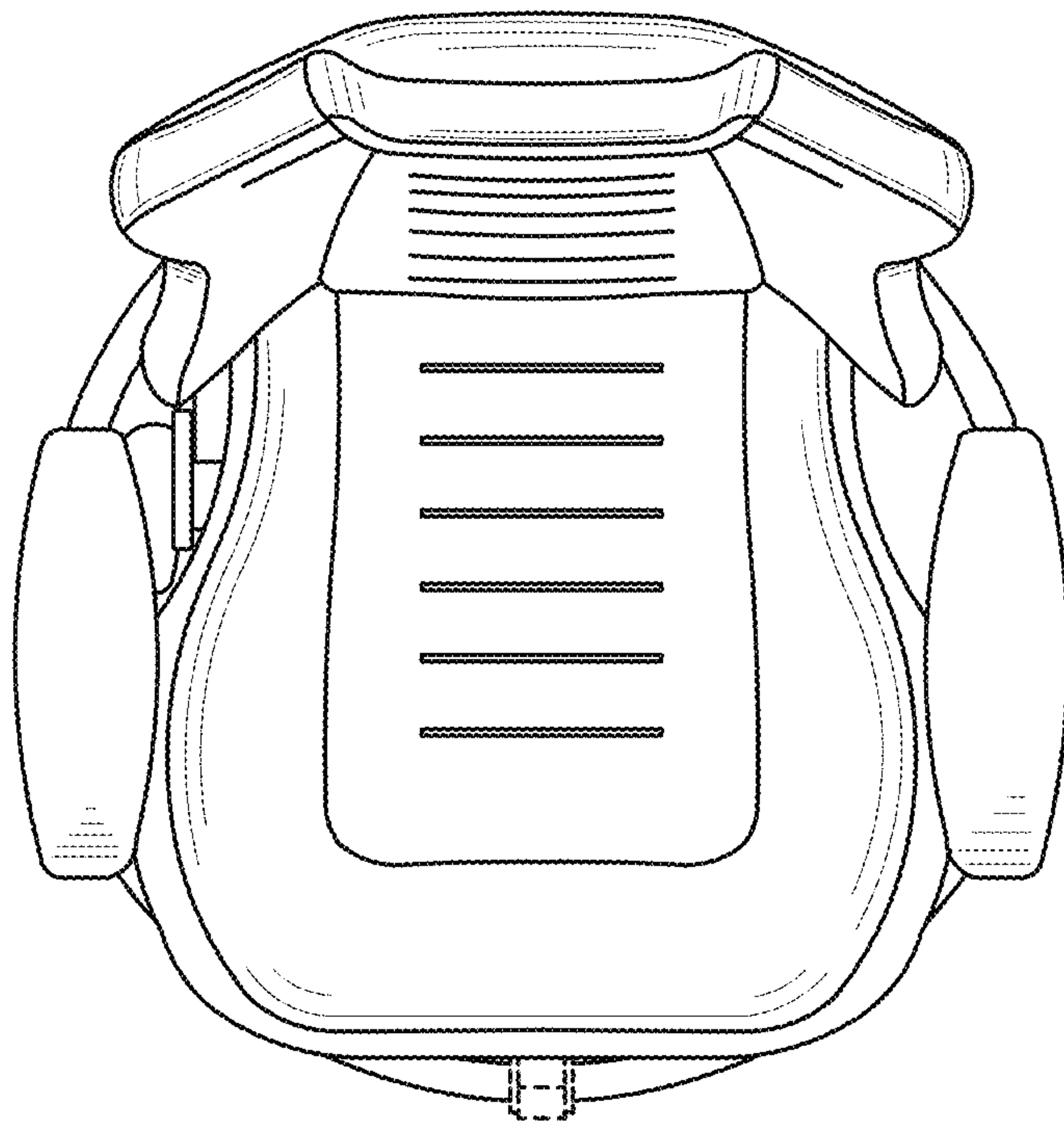


FIG. 15

