



US00D859864S

(12) **United States Design Patent** (10) **Patent No.:** **US D859,864 S**  
**Lievore et al.** (45) **Date of Patent:** **\*\* Sep. 17, 2019**

(54) **ARMCHAIR**

(71) Applicant: **ARPER S.p.A.**, Monastier di Treviso (IT)

(72) Inventors: **Alberto Lievore**, Monastier di Treviso (IT); **Jeannette Altherr**, Monastier di Treviso (IT)

(73) Assignee: **ARPER S.p.A.**, Monastier di Treviso (IT)

(\*\*) Term: **15 Years**

(21) Appl. No.: **35/503,828**

(22) Filed: **Aug. 29, 2017**

(80) **Hague Agreement Data**

Int. Filing Date: **Aug. 29, 2017**  
Int. Reg. No.: **DM/097947**  
Int. Reg. Date: **Aug. 29, 2017**  
Int. Reg. Pub. Date: **Oct. 20, 2017**

(30) **Foreign Application Priority Data**

Mar. 31, 2017 (WO) ..... DM/096824

(51) **LOC (12) Cl.** ..... **06-01**

(52) **U.S. Cl.**  
USPC ..... **D6/364; D6/375**

(58) **Field of Classification Search**

USPC ..... D6/334, 360, 364, 369-377  
CPC .... A47C 3/00; A47C 4/00; A47C 4/02; A47C 5/00; A47C 5/04; A47C 5/12; A47C 7/00; A47C 7/002; A47C 7/004; A47C 7/006

See application file for complete search history.

(56) **References Cited**

U.S. PATENT DOCUMENTS

D205,939 S \* 10/1966 Laverne et al. .... D6/375  
3,281,185 A \* 10/1966 Albinson ..... A47C 5/12  
297/218.5  
3,441,310 A \* 4/1969 Gale ..... A47C 3/12  
108/150  
D226,793 S \* 5/1973 Watamura ..... A63F 13/285  
D6/364  
D393,956 S \* 5/1998 Kane ..... D6/334  
D746,609 S \* 1/2016 Lievore ..... A47B 39/00  
D6/375  
9,398,811 B1 \* 7/2016 Williams ..... A47C 3/12  
D766,640 S \* 9/2016 Kubryk ..... D6/716  
D811,757 S \* 3/2018 Moscheri ..... D6/334  
2011/0187164 A1 \* 8/2011 Corcorran ..... A47B 39/00  
297/170  
2018/0104578 A1 \* 4/2018 Travis ..... A63F 13/285

\* cited by examiner

*Primary Examiner* — Mary Ann Calabrese  
(74) *Attorney, Agent, or Firm* — Thomas|Horstemeyer, LLP

(57) **CLAIM**

The ornamental design for an armchair, as shown and described.

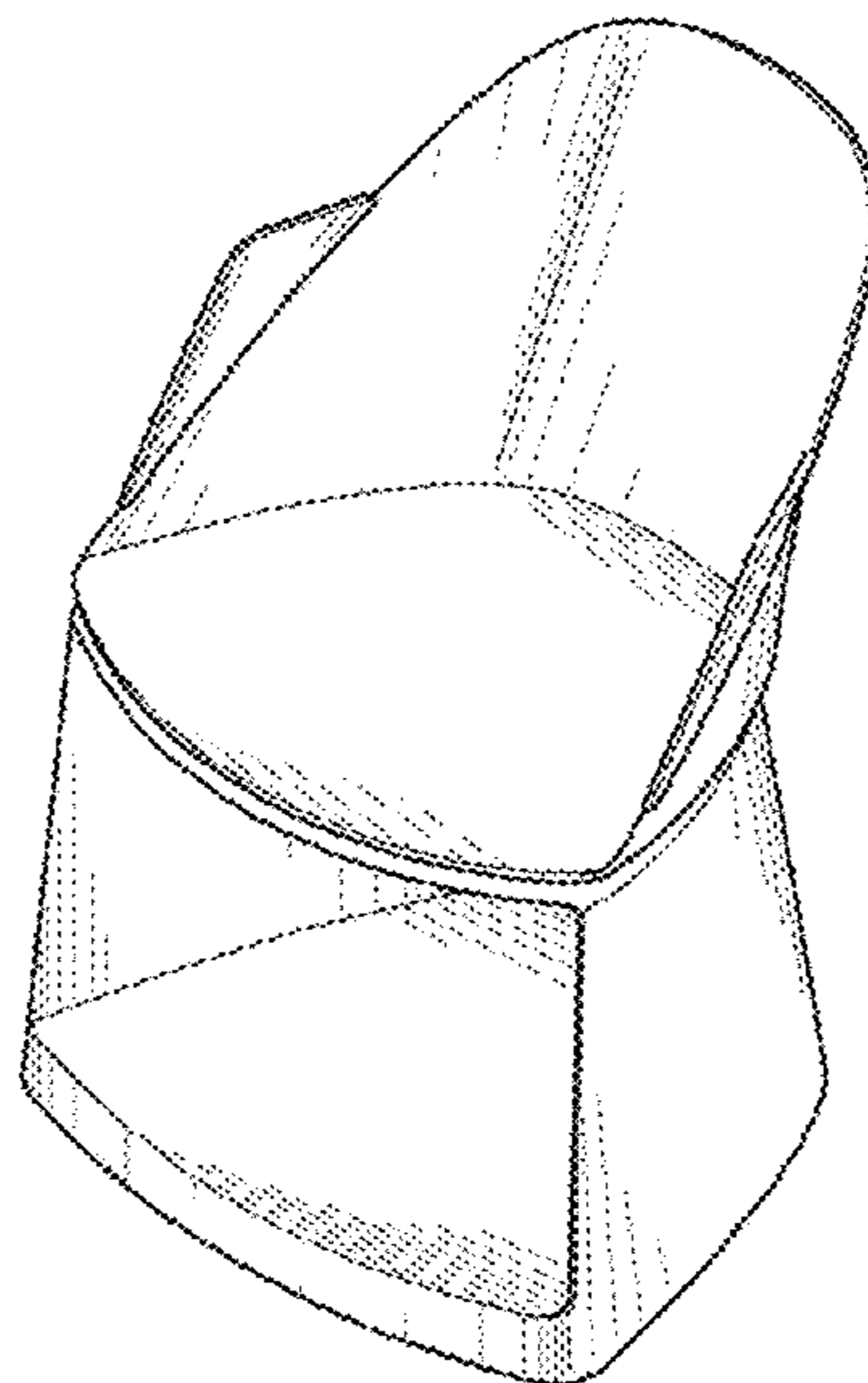
**DESCRIPTION**

1. Armchair

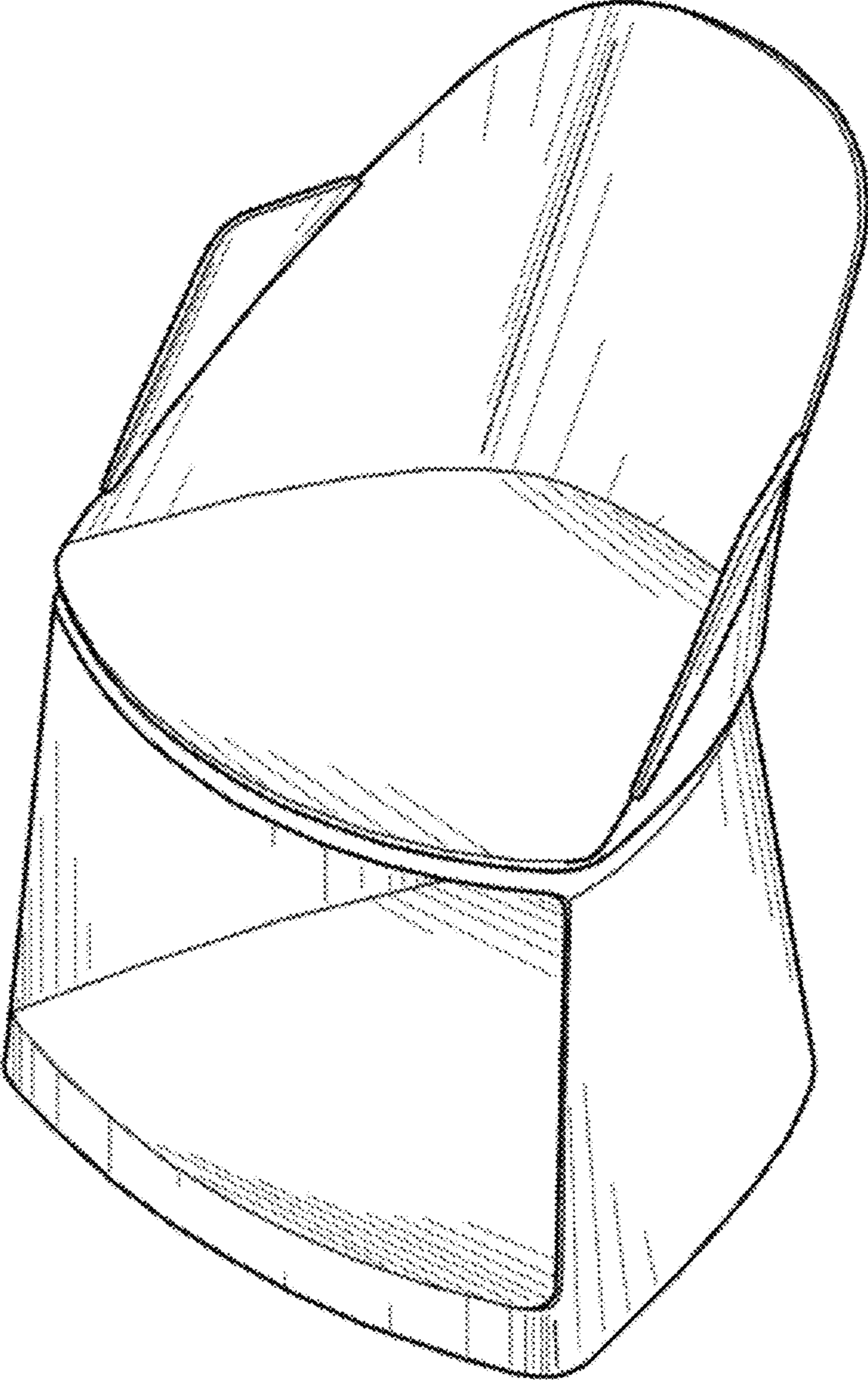
**1.1** is a perspective view; **1.2** is a right side view; **1.3** is a left side view; **1.4** is a front view; **1.5** is a rear view; **1.6** is a top view; **1.7** is a bottom view.

The broken lines shown in the drawings of the armchair are for the purposes of illustrating the environment and form no part of the claimed design.

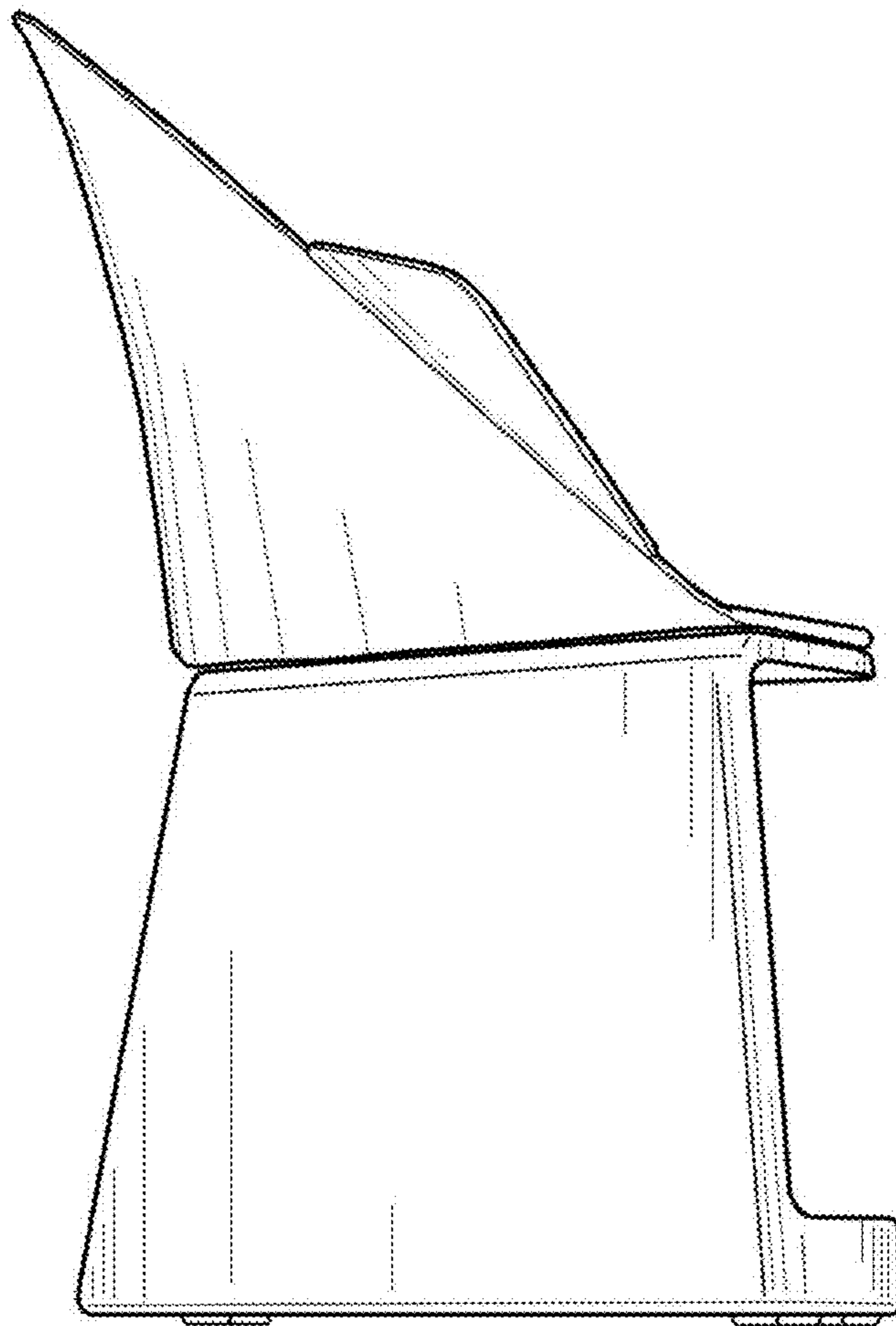
**1 Claim, 7 Drawing Sheets**



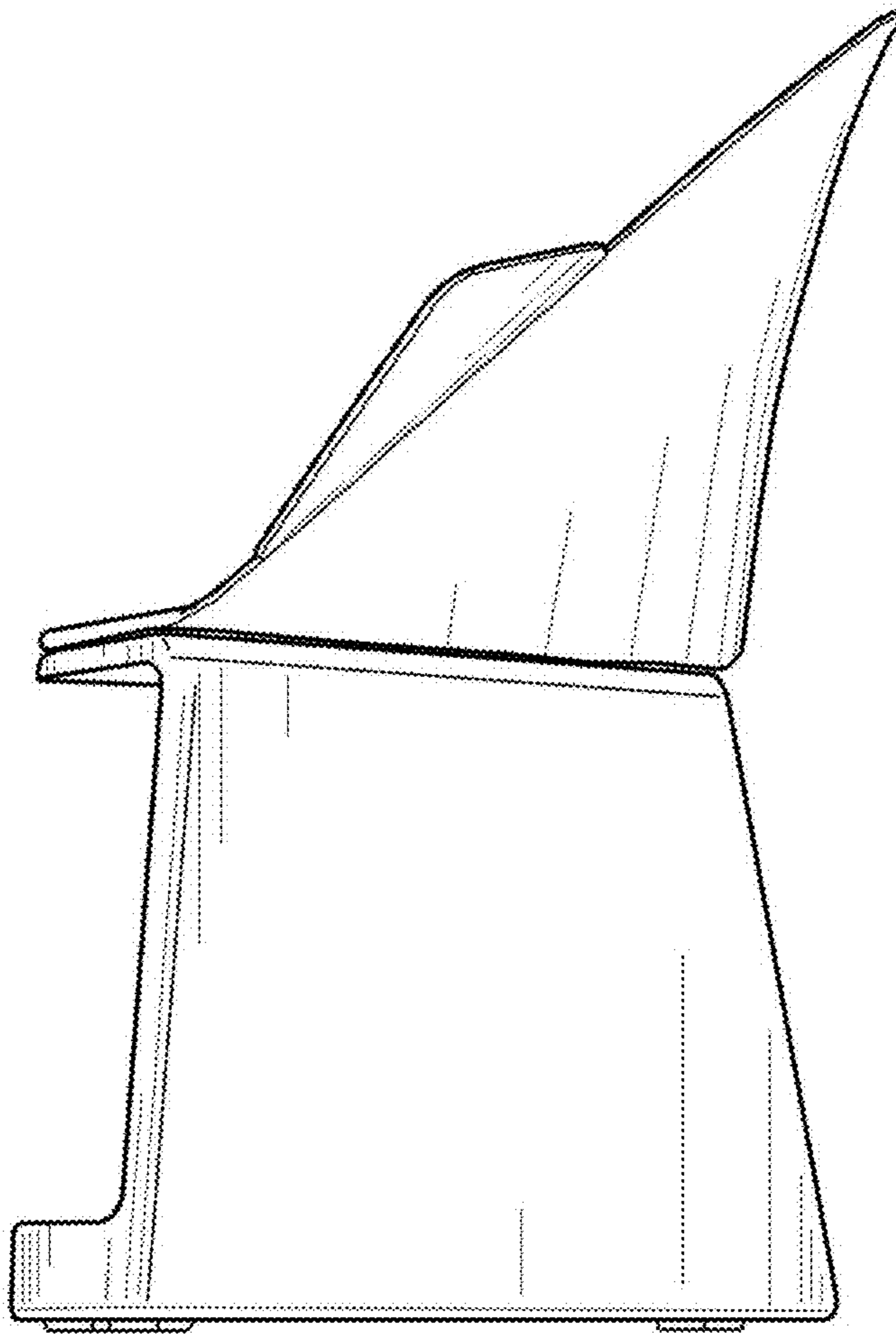
1.1



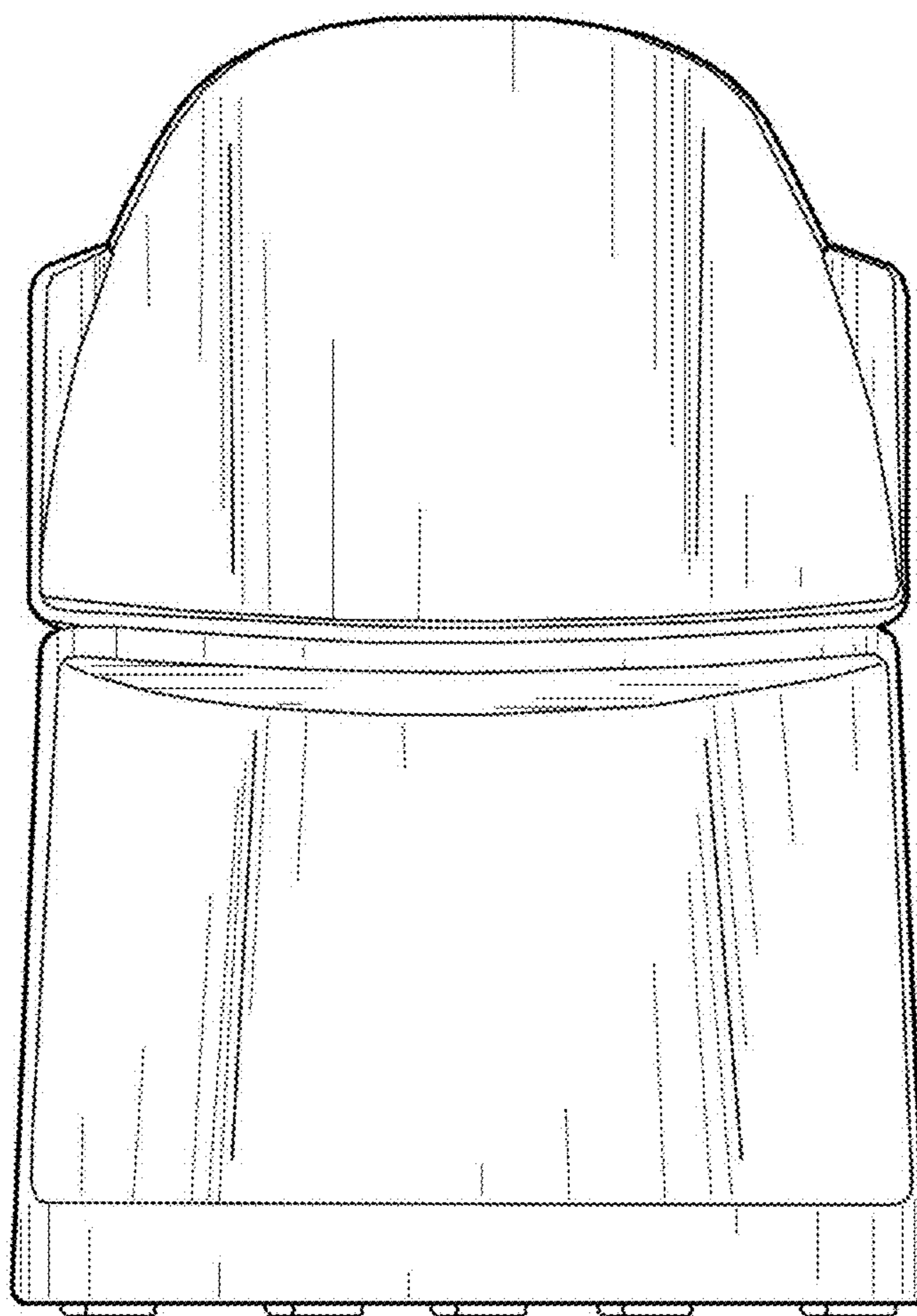
1.2



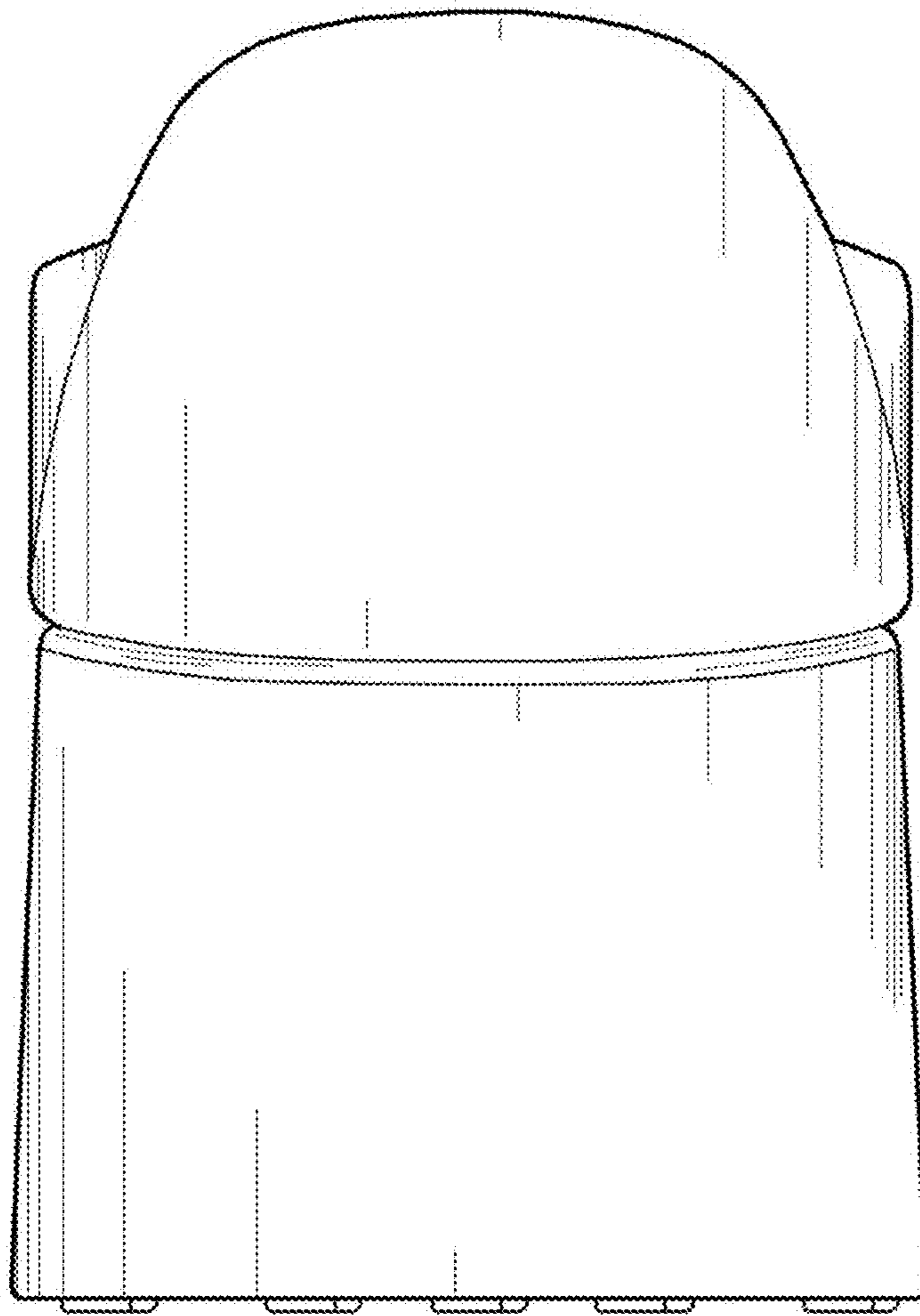
1.3



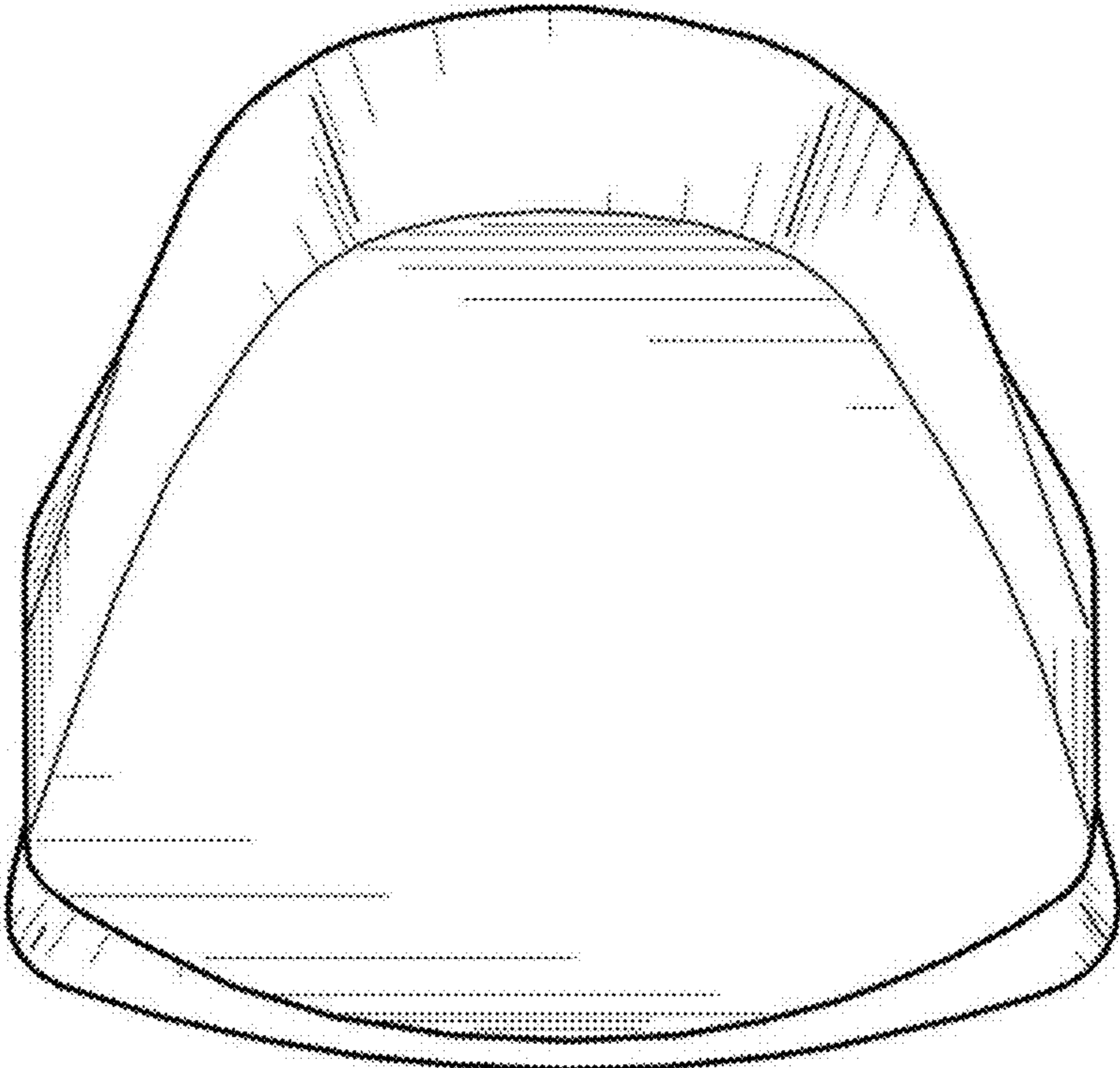
1.4



**1.5**



1.6



1.7

