



US00D859863S

(12) **United States Design Patent**
Iwasaki

(10) **Patent No.:** **US D859,863 S**

(45) **Date of Patent:** **** Sep. 17, 2019**

- (54) **BENCH**
- (71) Applicant: **ARPER S.P.A.**, Monastier di Treviso (IT)
- (72) Inventor: **Ichiro Iwasaki**, Treviso (IT)
- (73) Assignee: **ARPER S.P.A.**, Monastier di Treviso (IT)

- D248,345 S * 7/1978 Stoddard D6/353
- D345,469 S * 3/1994 Wirth D6/355
- 6,296,314 B1 * 10/2001 Klein A47B 85/04
297/119
- D481,899 S * 11/2003 Thomas D6/596
- D555,918 S * 11/2007 Massaud D6/349
- D597,328 S * 8/2009 Schweikarth D6/355
- D642,820 S * 8/2011 Andersen D6/381
- D717,554 S * 11/2014 Kapka D6/349
- D834,841 S * 12/2018 Mandon D6/349

(**) Term: **15 Years**

(21) Appl. No.: **35/505,411**

(22) Filed: **Jul. 6, 2018**

(80) **Hague Agreement Data**

Int. Filing Date: **Jul. 6, 2018**
 Int. Reg. No.: **DM/102017**
 Int. Reg. Date: **Jul. 6, 2018**
 Int. Reg. Pub. Date: **Aug. 3, 2018**

(30) **Foreign Application Priority Data**

Feb. 8, 2018 (WO) DM/101147

(51) **LOC (12) Cl.** **06-01**

(52) **U.S. Cl.**
USPC **D6/349**

(58) **Field of Classification Search**
USPC D6/334-336, 349-353, 355, 357, 361,
D6/363-365, 370-375, 380-381, 596,
D6/601, 604, 691-691.9, 692-692.6,
D6/708.17, 716-716.3

CPC A47C 1/16; A47C 1/124; A47C 1/143;
A47C 4/02; A47C 7/16; A47C 7/18;
A47C 11/00; A47C 11/005; A47C 13/00
See application file for complete search history.

(56) **References Cited**

U.S. PATENT DOCUMENTS

- 3,817,573 A * 6/1974 Facury A47B 85/04
108/62
- D247,080 S * 1/1978 Robinson D6/690

FOREIGN PATENT DOCUMENTS

JP D1283734 * 9/2005

OTHER PUBLICATIONS

New collection Kiik—Arper (available online) Retrieved from the internet Apr. 9, 2019 from URL: <https://www.arper.com/us/en/stories/news/kiik-preview>.*

(Continued)

Primary Examiner — George D. Kirschbaum
Assistant Examiner — Richard Kearney
 (74) *Attorney, Agent, or Firm* — Thomas|Horstemeyer, LLP

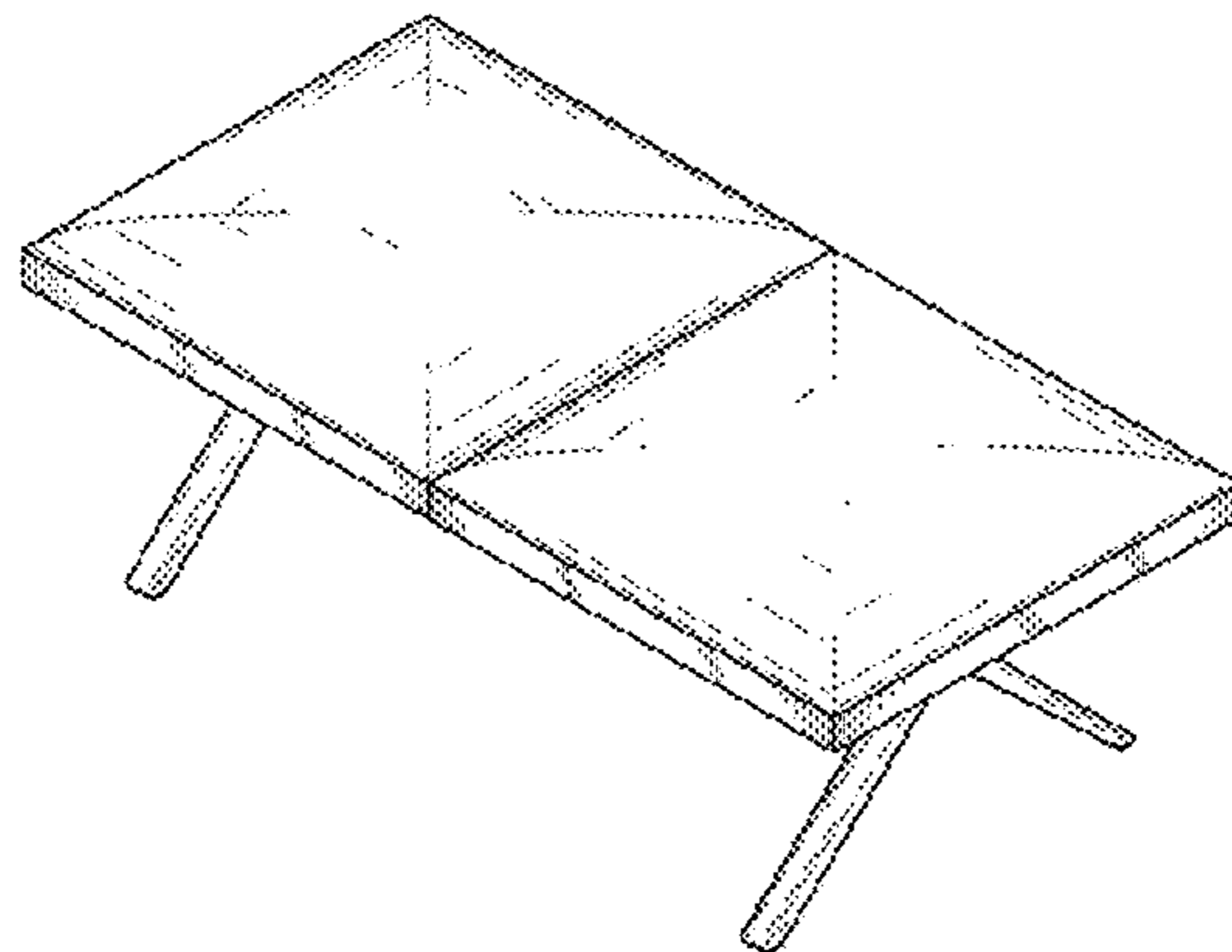
(57) **CLAIM**

The ornamental design for a bench, as shown and described.

DESCRIPTION

- 1. Bench
- 1.1 : Perspective
- 1.2 : Front
- 1.3 : Back
- 1.4 : Left
- 1.5 : Right
- 1.6 : Top
- 1.7 : Bottom

1 Claim, 7 Drawing Sheets



(56)

References Cited

U.S. PATENT DOCUMENTS

2005/0225127 A1 * 10/2005 Hsieh A47C 3/36
297/16.1

OTHER PUBLICATIONS

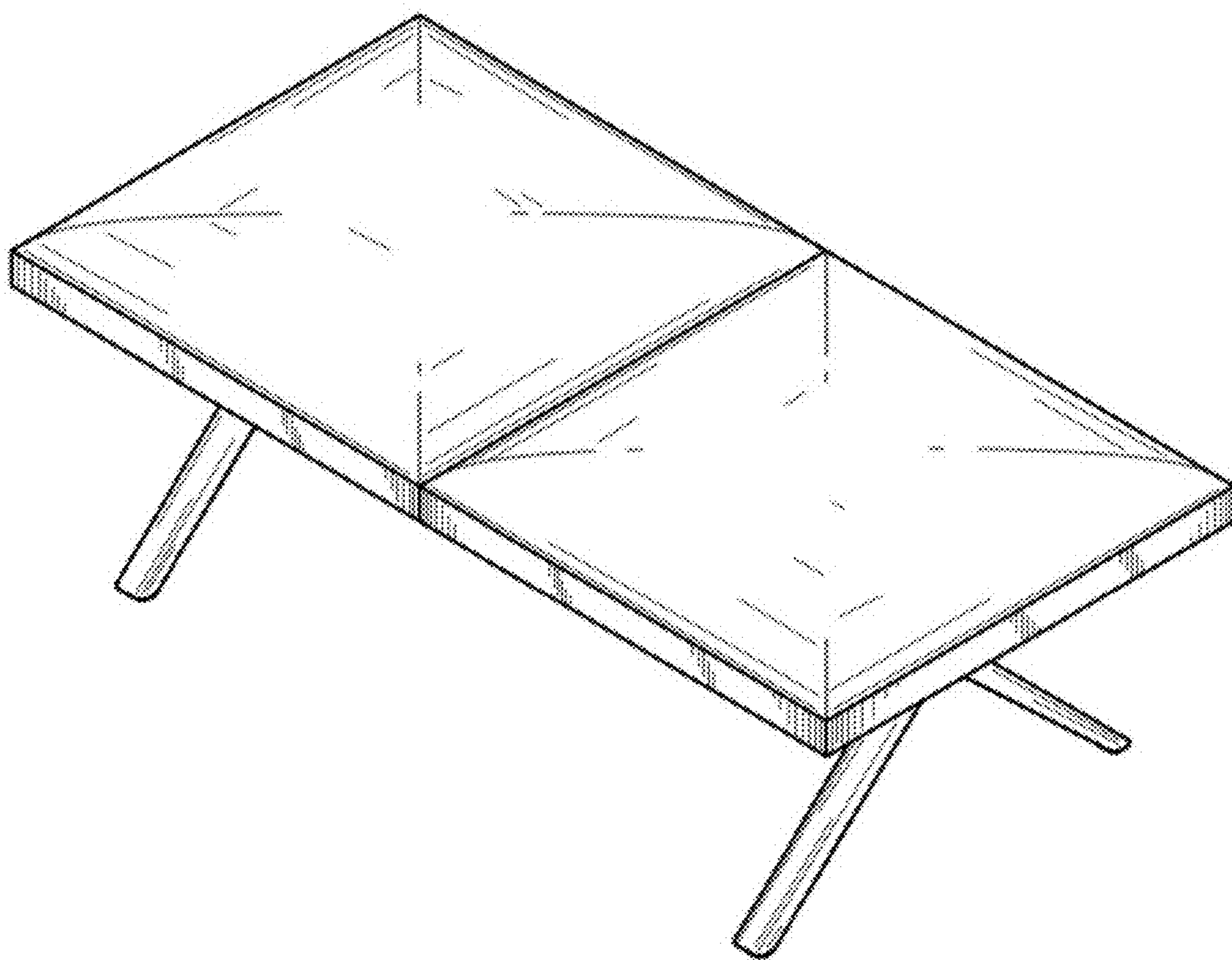
Tahoe Upholstered Bench (available online) Retrieved from the internet Apr. 9, 2019 from URL: <https://www.perigold.com/furniture/pdp/eichholtz-tahoe-upholstered-bench-eitz1738.html>.*

Aiden Upholstered Bench (available online) Retrieved from the internet Apr. 9, 2019 from URL: <https://www.perigold.com/furniture/pdp/interlude-aiden-upholstered-bench-ilh1941.html>.*

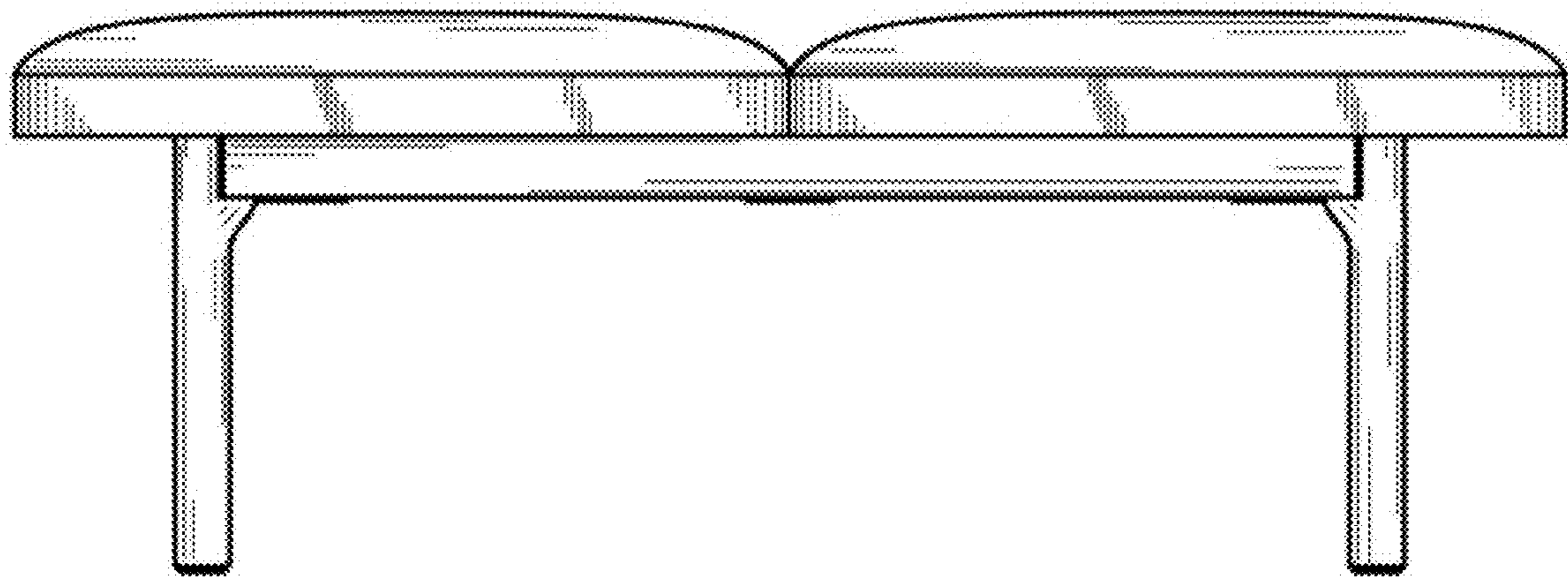
Visitor-Waiting-Bench-Sofa-ZD1139-3A (available online) Retrieved from the internet Apr. 9, 2019 from URL: <https://www.officefurnituresmalaysia.com/wp-content/uploads/2015/11/Visitor-Waiting-Bench-Sofa-ZD1139-3A-dinner-sofa-hotel-salon-office-clinic-collection.html>.*

* cited by examiner

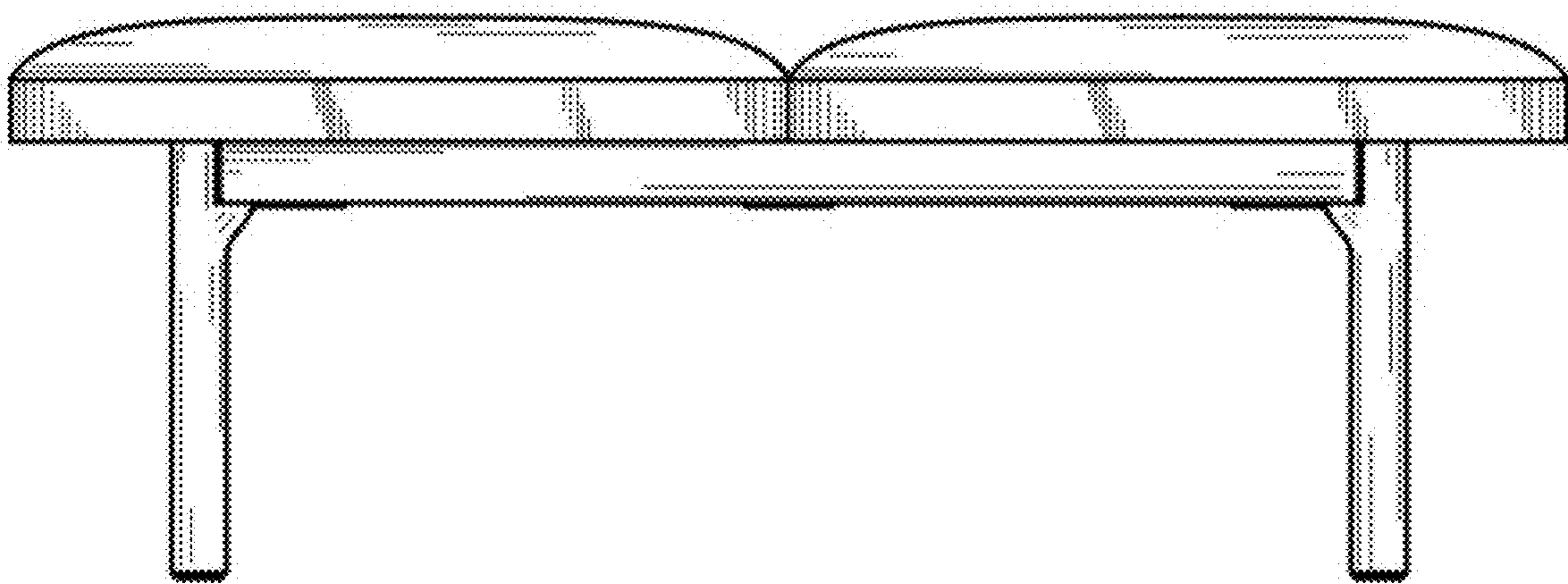
1.1



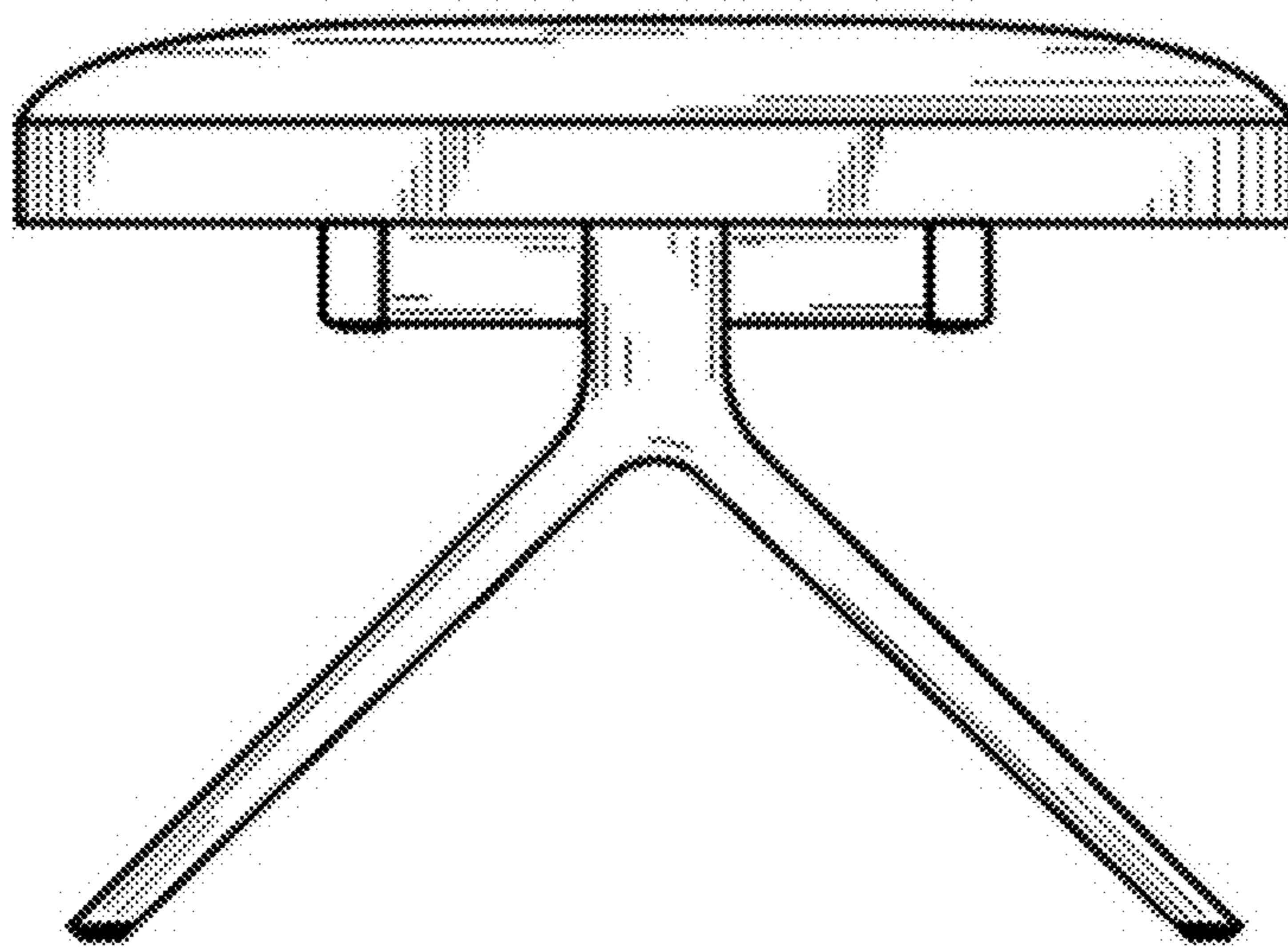
1.2



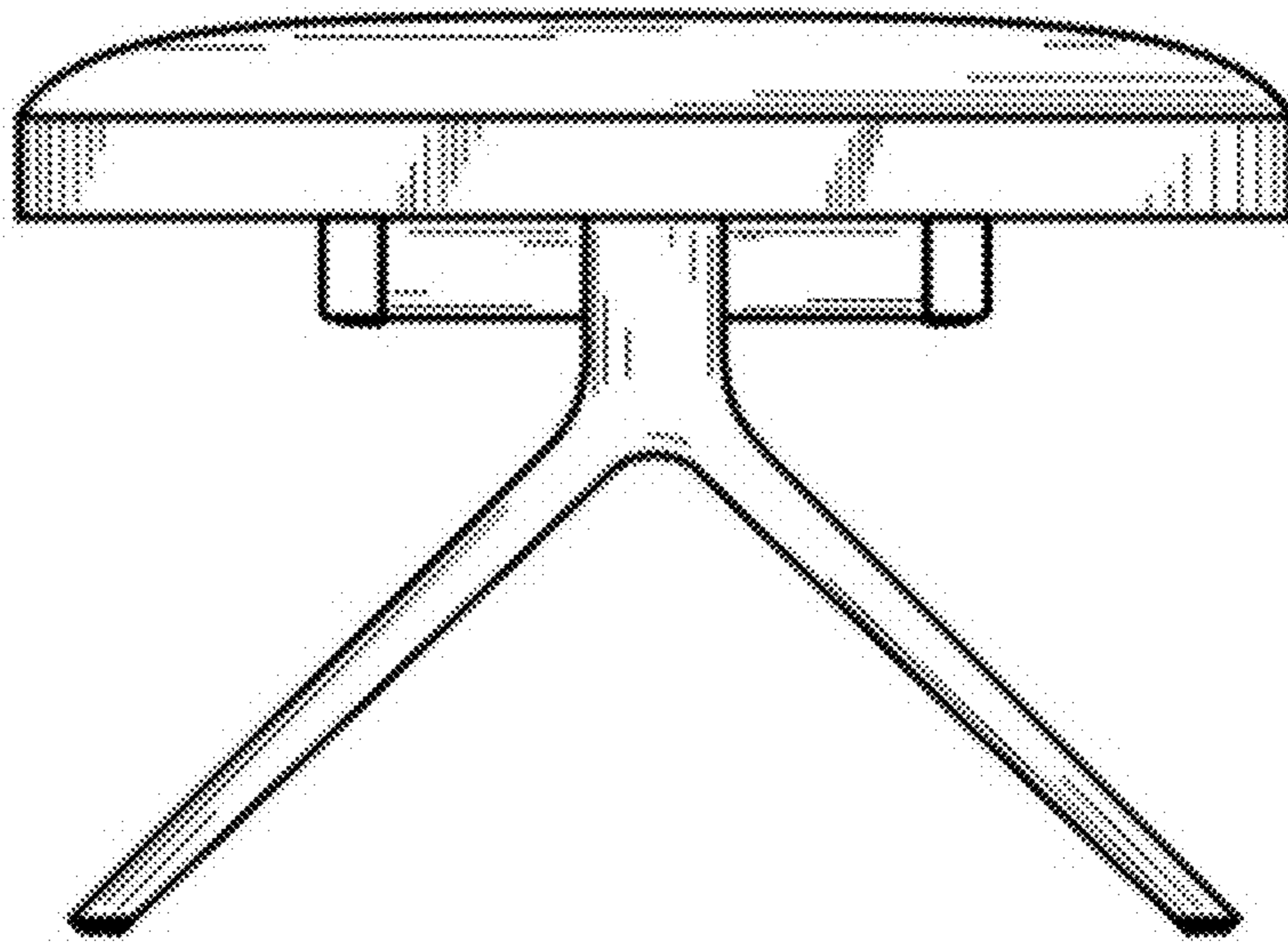
1.3



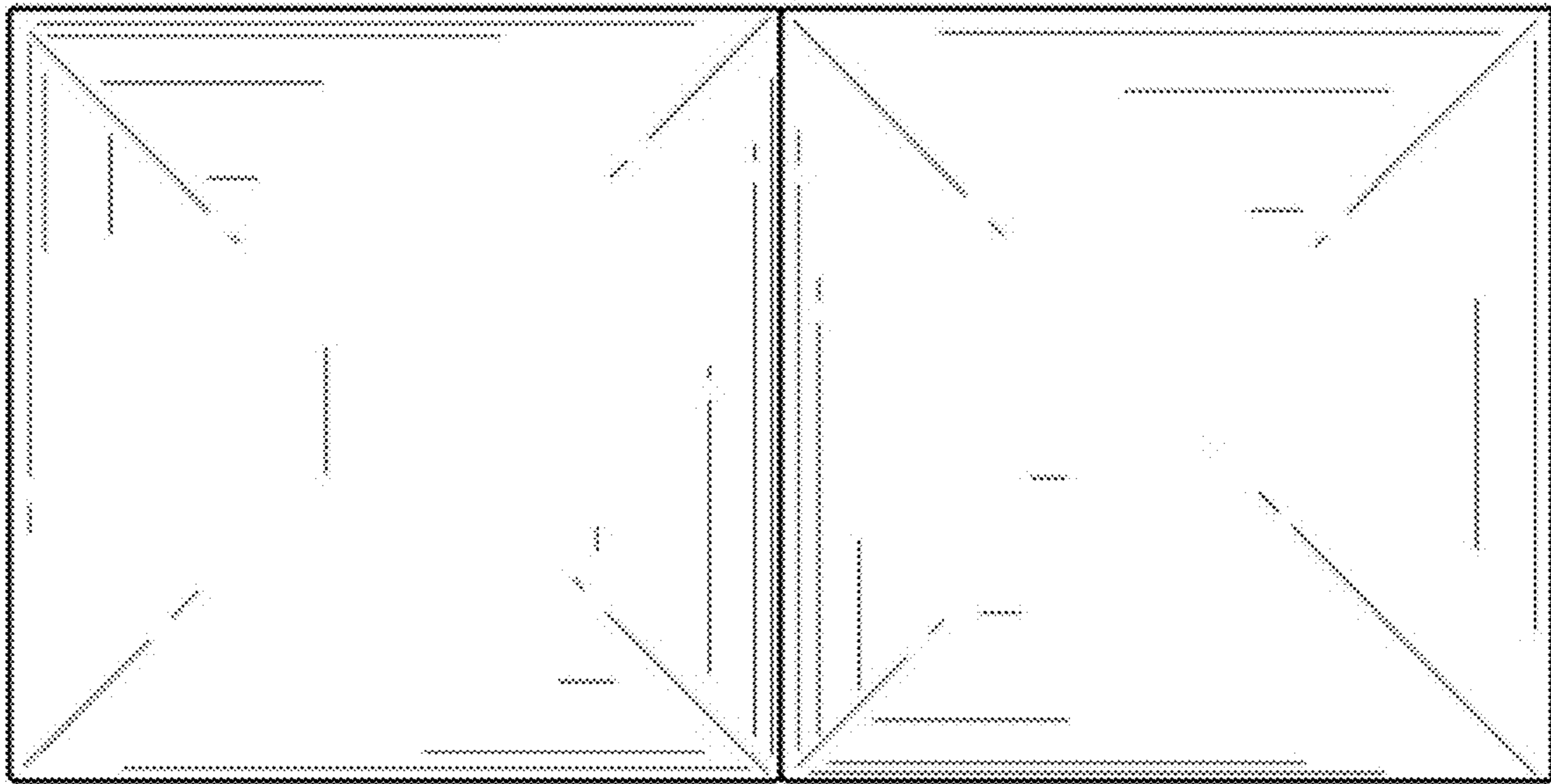
1.4



1.5



1.6



1.7

