



US00D859861S

(12) **United States Design Patent**
Kapanzhi

(10) **Patent No.:** **US D859,861 S**

(45) **Date of Patent:** **** Sep. 17, 2019**

(54) **SWING**

6,283,870 B1 9/2001 Saint et al.
6,319,138 B1 11/2001 Fair et al.
6,361,446 B2 3/2002 Lawson et al.
6,386,986 B1 5/2002 Sonner et al.

(71) Applicant: **KIDS II, INC.**, Atlanta, GA (US)

(72) Inventor: **Avelina Kapanzhi**, Atlanta, GA (US)

(Continued)

(73) Assignee: **KIDS II, INC.**, Atlanta, GA (US)

FOREIGN PATENT DOCUMENTS

(**) Term: **15 Years**

CN 203207619 U 9/2013
WO 2006058144 A2 6/2006

(21) Appl. No.: **29/617,164**

OTHER PUBLICATIONS

(22) Filed: **Sep. 12, 2017**

(51) **LOC (12) Cl.** **06-01**

(52) **U.S. Cl.**

USPC **D6/344**; D6/715

(58) **Field of Classification Search**

USPC D6/331, 333, 339, 340, 341, 342, 344,
D6/345, 347, 348, 715; D21/412, 419,
D21/420

CPC A47D 1/004; A47D 1/008; A47D 1/0081;
A47D 1/04; A47D 1/06; A47D 1/08;
A47D 1/10; A47D 13/102; A47D 13/105;
A47D 13/107; A47D 3/001

See application file for complete search history.

Ingenuity, posted at Amazon.com, posted on Mar. 20, 2018, site visited Apr. 7, 2019. online, available from internet: <https://www.amazon.com/Ingenuity-Simple-Comfort-Cradling-Everston/dp/B0759JYWK9> (Year: 2018).*

(Continued)

Primary Examiner — Mary Ann Calabrese

Assistant Examiner — Catherine Ho

(74) *Attorney, Agent, or Firm* — Gardner Groff & Greenwald, P.C.

(56) **References Cited**

U.S. PATENT DOCUMENTS

342,855 A 6/1886 Abbey et al.
3,269,771 A 8/1966 Erdos
4,777,672 A 10/1988 Gebhard et al.
4,940,229 A 7/1990 Foster
5,615,428 A 4/1997 Li
5,769,727 A 6/1998 Fair et al.
5,788,014 A 8/1998 Saint et al.
5,803,817 A 9/1998 Stern
5,887,945 A 3/1999 Sedlack
D412,067 S * 7/1999 Wu D6/344
5,975,631 A 11/1999 Fair et al.
6,027,409 A 2/2000 Favorito et al.
6,059,667 A 5/2000 Pinch
6,254,490 B1 7/2001 Lawson et al.
6,277,028 B1 8/2001 Liu

(57) **CLAIM**

The ornamental design for a swing, as shown and described.

DESCRIPTION

FIG. 1 is a top perspective view of a swing, showing our new design;

FIG. 2 is a left side view thereof;

FIG. 3 is a right side view thereof;

FIG. 4 is a top view thereof;

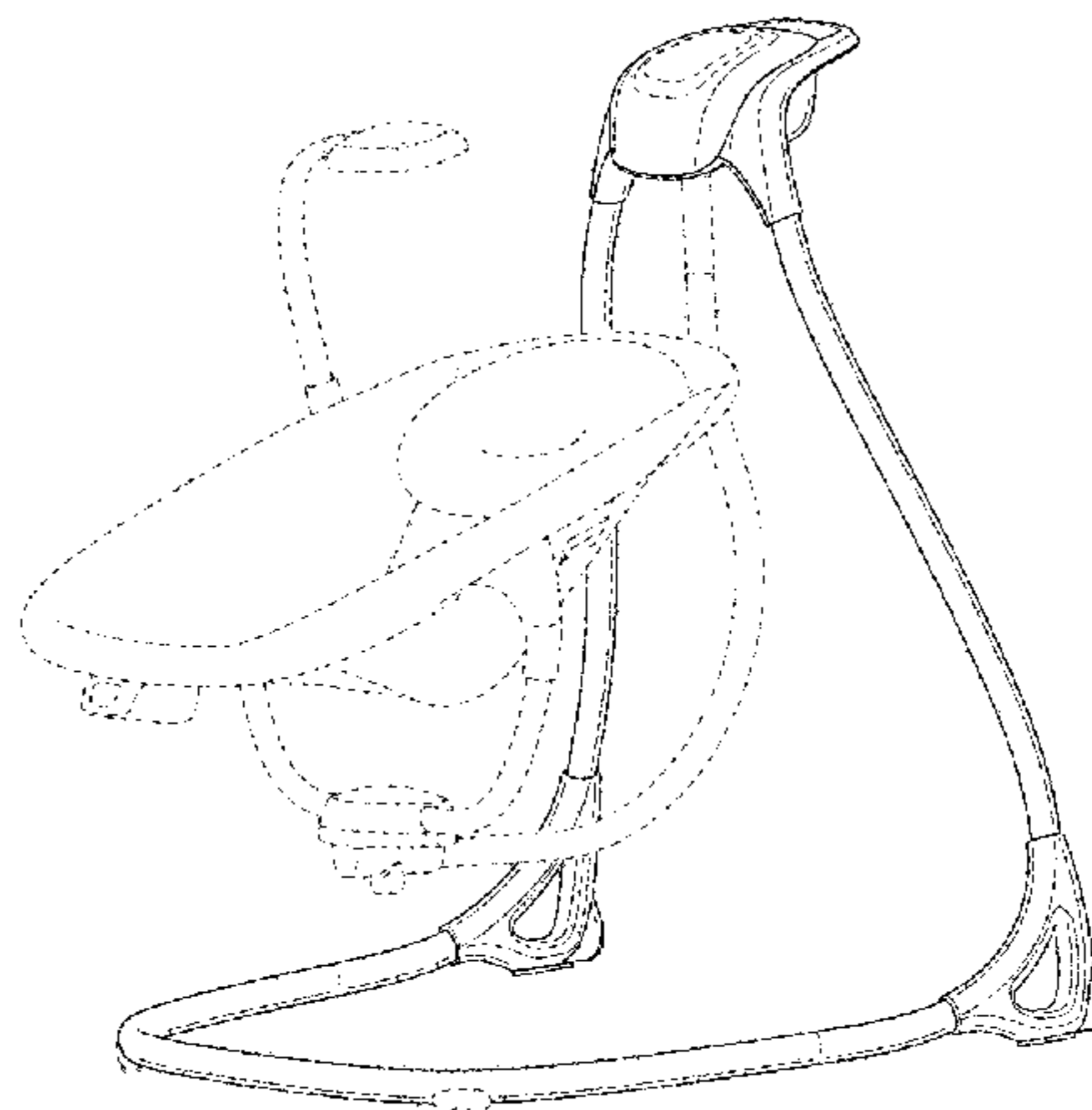
FIG. 5 is a bottom view thereof;

FIG. 6 is a rear view thereof; and,

FIG. 7 is a front view thereof.

The broken line portion of the figure drawings is included to show portions of the article that form no part of the claimed design.

1 Claim, 4 Drawing Sheets



(56)

References Cited

U.S. PATENT DOCUMENTS

6,471,597 B1 10/2002 Flannery et al.
 6,511,123 B1 1/2003 Sitarski et al.
 6,520,862 B1 2/2003 Armbruster et al.
 6,561,915 B2 5/2003 Kelly et al.
 D477,719 S * 7/2003 Chaudeurge D6/339
 D485,690 S * 1/2004 Hsia D6/347
 D486,965 S * 2/2004 Hsia D6/347
 6,702,685 B2 3/2004 Mahlstedt et al.
 6,814,670 B2 11/2004 Morita et al.
 6,824,472 B2 11/2004 Armbruster et al.
 6,857,966 B2 2/2005 Armbruster et al.
 6,872,146 B1 3/2005 Paesang et al.
 6,877,805 B1 4/2005 Steadman
 6,887,161 B2 5/2005 Mahlstedt et al.
 6,916,249 B2 7/2005 Meade
 6,951,371 B2 10/2005 Wang
 7,037,205 B1 5/2006 Bowman
 7,081,052 B2 7/2006 Greger et al.
 7,219,959 B2 5/2007 Ransil et al.
 7,258,617 B2 8/2007 Chen
 7,326,120 B2 2/2008 Bellows et al.
 7,329,192 B2 2/2008 Gibree
 7,354,352 B2 4/2008 Keska et al.
 7,422,284 B2 9/2008 Hartenstine et al.
 7,422,524 B2 9/2008 Gregorian
 7,445,559 B2 11/2008 Kakuda
 7,507,163 B2 3/2009 Haut
 7,717,800 B2 5/2010 Pyrce
 7,770,971 B2 8/2010 Bellows et al.
 7,789,762 B2 9/2010 Greger et al.
 7,837,570 B2 11/2010 Kwon
 7,874,927 B2 1/2011 Godiska
 7,878,583 B2 2/2011 Buckavich et al.
 7,884,710 B2 2/2011 Godiska et al.
 7,959,514 B2 6/2011 Chen et al.
 8,066,577 B2 11/2011 Chen et al.
 8,292,750 B2 10/2012 Gregorian
 8,308,578 B2 11/2012 Gilbert et al.
 8,308,579 B2 11/2012 Qiu
 8,342,977 B2 1/2013 Ting et al.
 8,376,461 B2 2/2013 Chen
 8,491,402 B2 7/2013 Yeh et al.
 8,517,849 B2 8/2013 Tuckey
 8,550,556 B2 10/2013 Asbach
 D692,681 S * 11/2013 Robbins D6/347
 8,602,903 B2 12/2013 Gilbert
 8,602,904 B2 12/2013 Tuckey et al.
 8,684,856 B2 4/2014 Pyrce et al.

8,708,832 B2 4/2014 Gilbert et al.
 8,777,764 B2 7/2014 Gregorian
 8,784,226 B2 7/2014 Yang et al.
 8,795,097 B2 8/2014 Chapman et al.
 8,845,440 B2 9/2014 Haut
 8,876,617 B2 * 11/2014 Robbins A47D 13/105
 472/118
 8,944,927 B2 2/2015 Huntsberger et al.
 8,979,662 B2 3/2015 Rogers et al.
 9,033,809 B2 5/2015 Haut et al.
 9,155,403 B2 * 10/2015 Mountz A47D 9/02
 9,173,503 B2 * 11/2015 Mountz A47D 9/02
 9,216,359 B2 12/2015 Gilbert
 9,242,180 B2 1/2016 Gilbert et al.
 9,295,342 B2 3/2016 Ferraro et al.
 9,370,258 B1 6/2016 Vom Scheidt, Jr. et al.
 9,370,259 B1 6/2016 Pyrce et al.
 9,510,693 B2 12/2016 Cordier et al.
 2003/0199329 A1 10/2003 Wood et al.
 2004/0259647 A1 12/2004 Wood et al.
 2005/0143181 A1 6/2005 Armbruster et al.
 2006/0138827 A1 6/2006 Kassai et al.
 2006/0270480 A1 11/2006 Chen
 2007/0018490 A1 1/2007 Jones
 2007/0046077 A1 3/2007 Fang
 2008/0146359 A1 6/2008 Godiska
 2008/0146361 A1 6/2008 Godiska
 2010/0264719 A1 * 10/2010 Burns A47D 1/008
 297/487
 2011/0041245 A1 2/2011 Shafer et al.
 2011/0165953 A1 7/2011 Solis
 2014/0287846 A1 * 9/2014 Mountz A47D 9/02
 472/118
 2014/0315650 A1 10/2014 Pyrce et al.
 2015/0165330 A1 6/2015 Rogers et al.
 2015/0342367 A1 12/2015 Corso et al.
 2016/0107091 A1 4/2016 Gilbert et al.
 2016/0206116 A1 7/2016 Gregorian
 2016/0227939 A1 8/2016 Tadipatri et al.
 2017/0065101 A1 * 3/2017 Tadipatri A47D 9/04
 2017/0105547 A1 * 4/2017 Van Huystee A47D 13/105
 2019/0059611 A1 * 2/2019 Burns A47D 13/107

OTHER PUBLICATIONS

Graco Duet, posted at Amazon.com, posted on Mar. 20, 2013, site visited Apr. 7, 2019. online, available from internet: <https://www.amazon.com/Graco-Duetsoothe-Swing-Rocker-Sapphire/dp/B00AO084CW> (Year: 2013).*

* cited by examiner

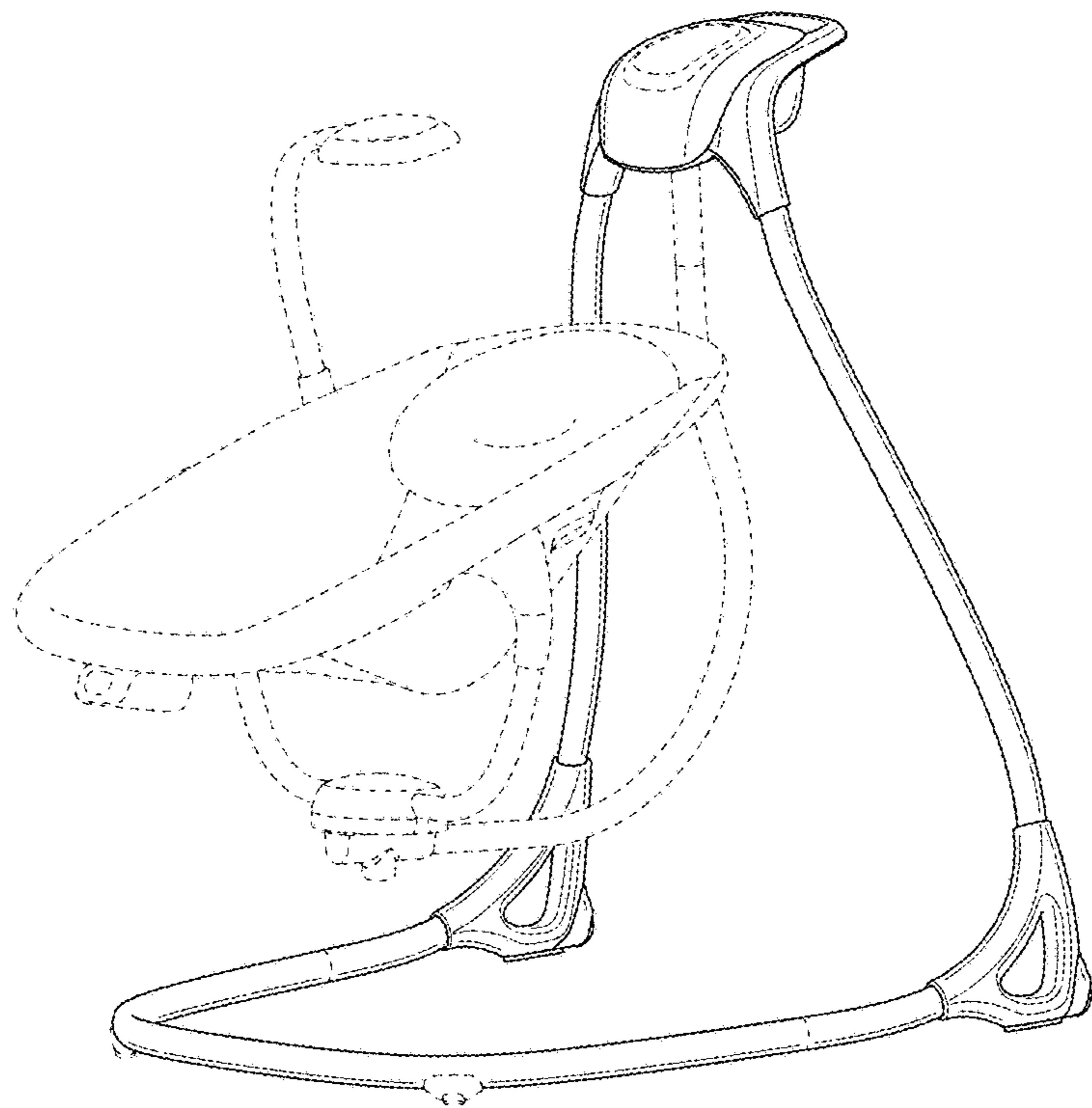


FIG. 1

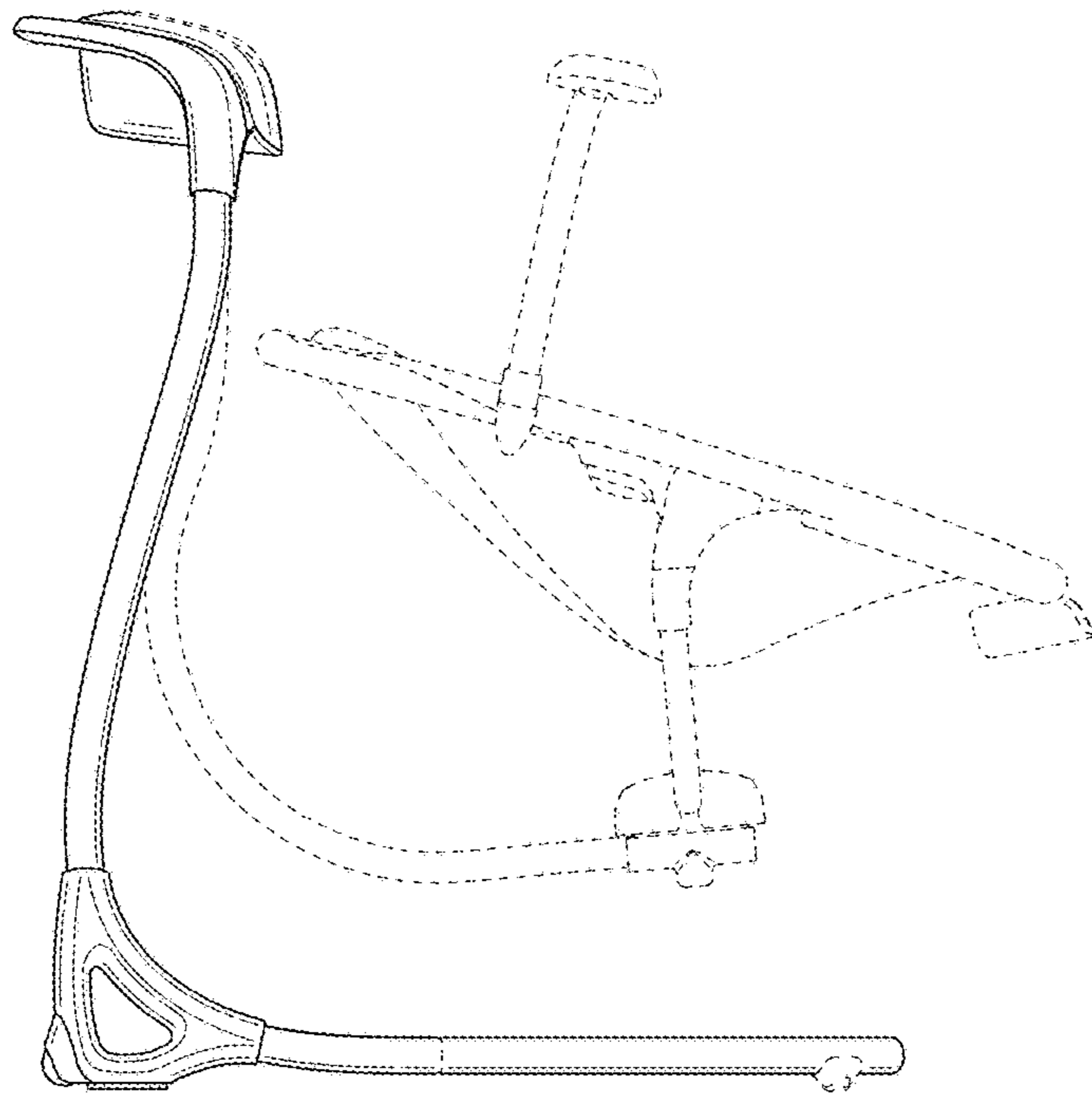


FIG. 2

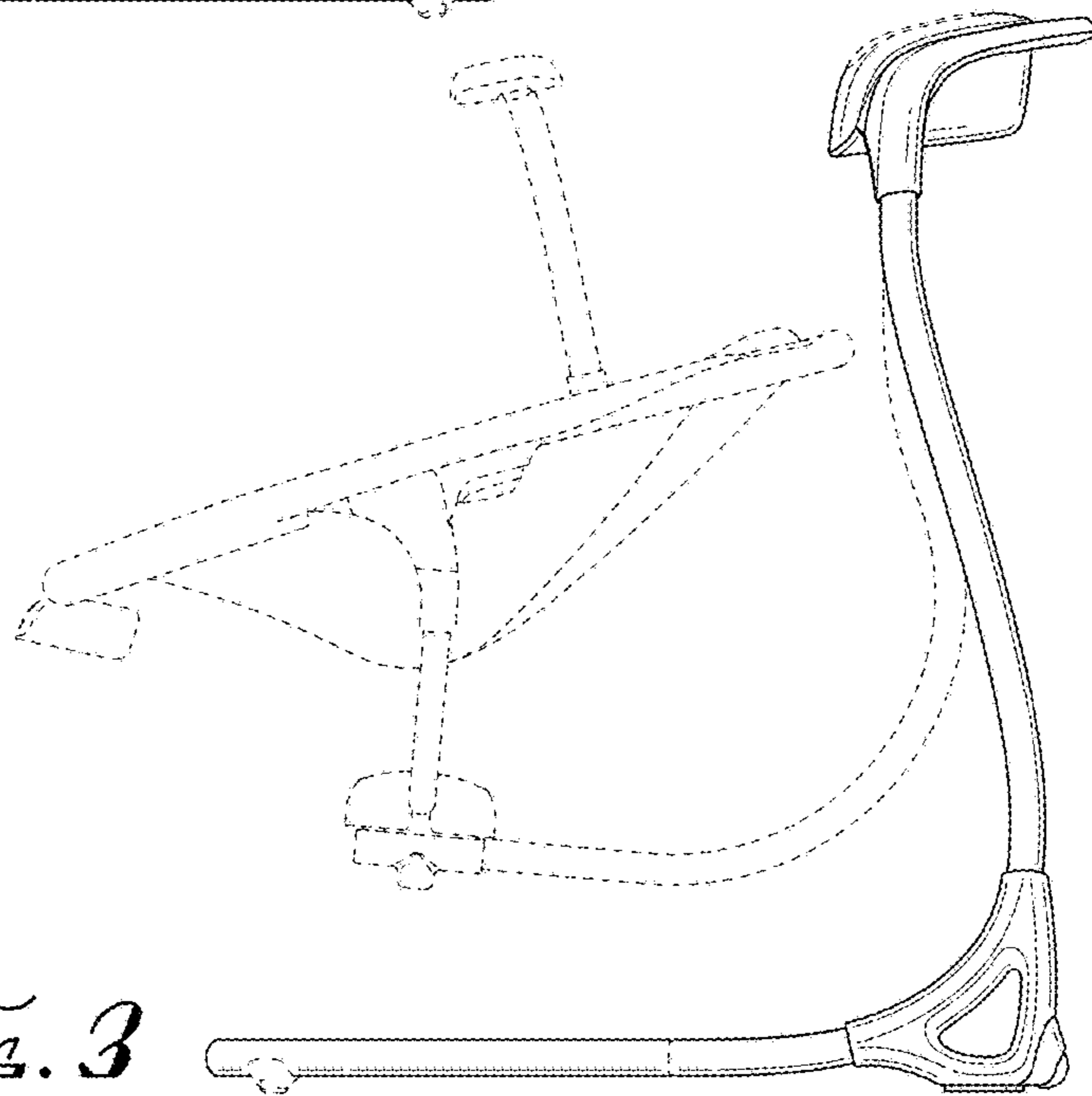


FIG. 3

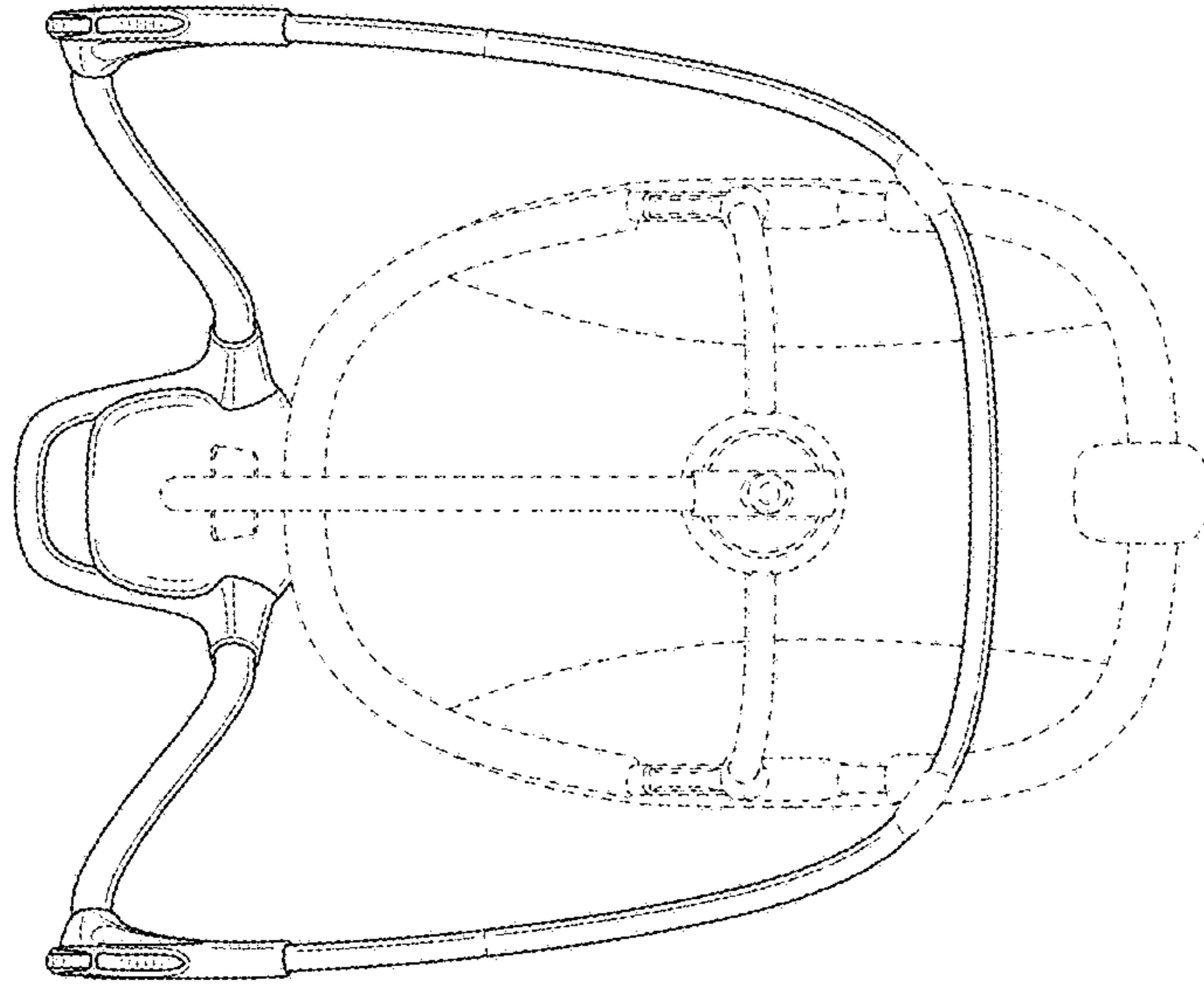


FIG. 5

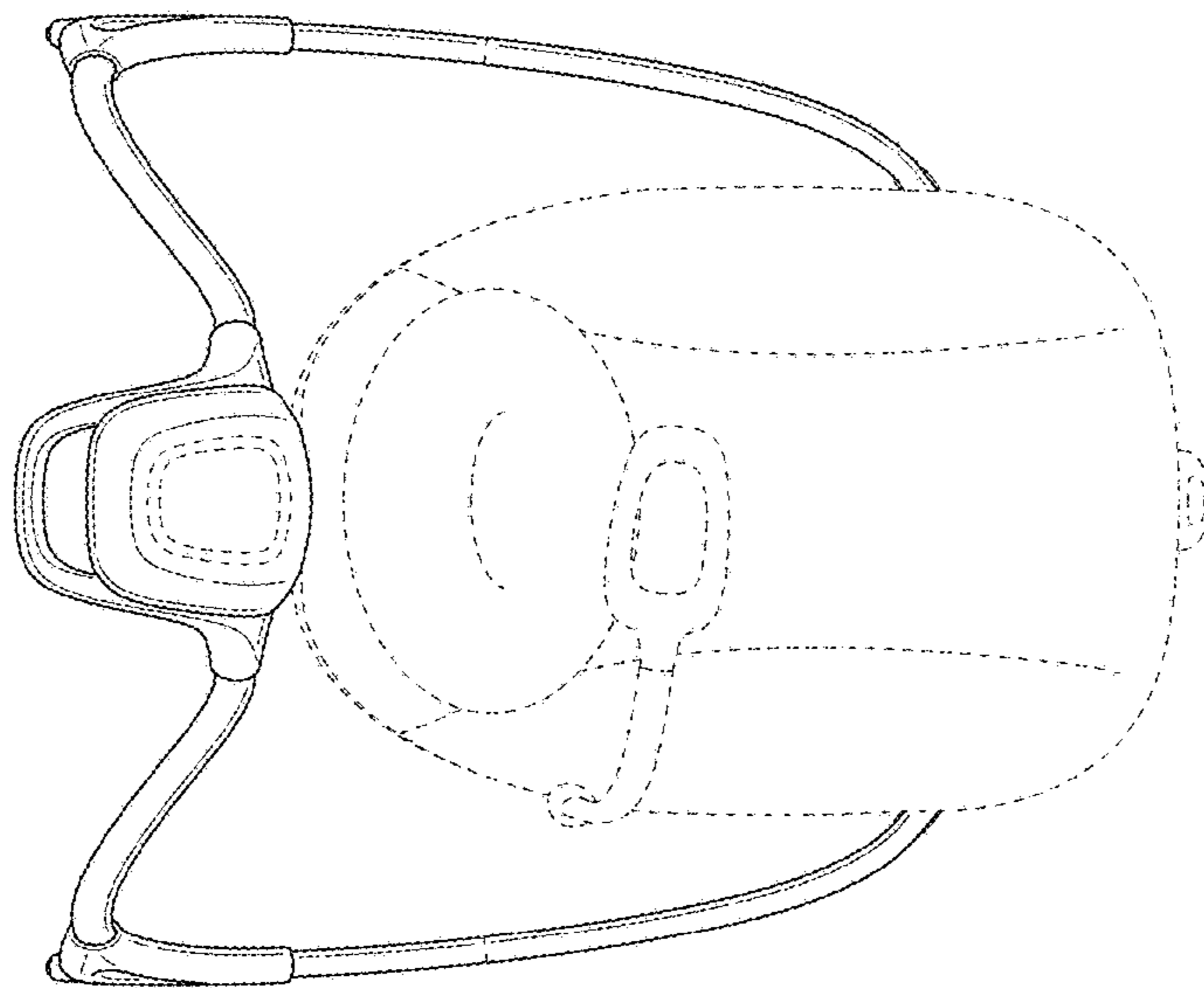


FIG. 4

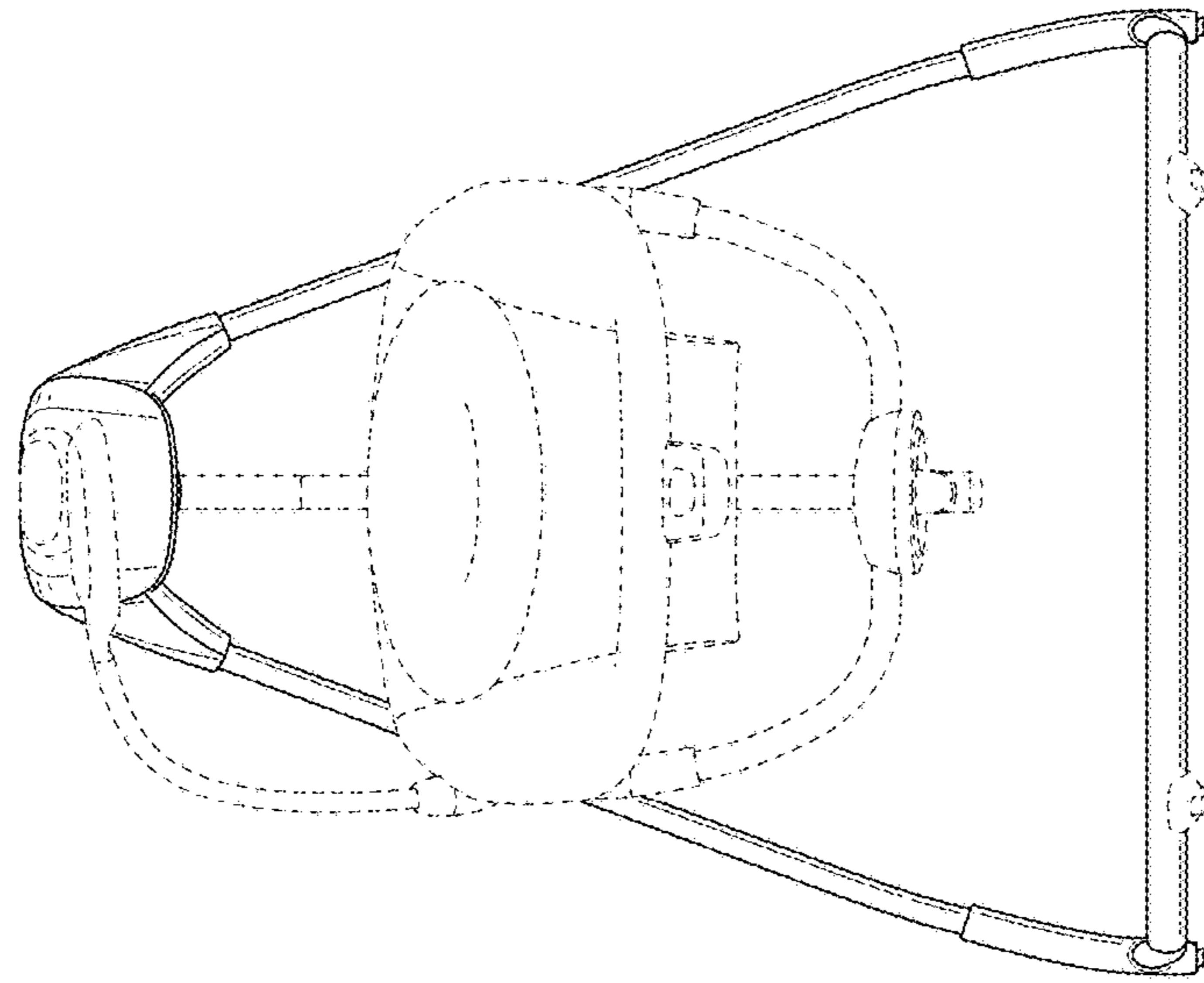


FIG. 7

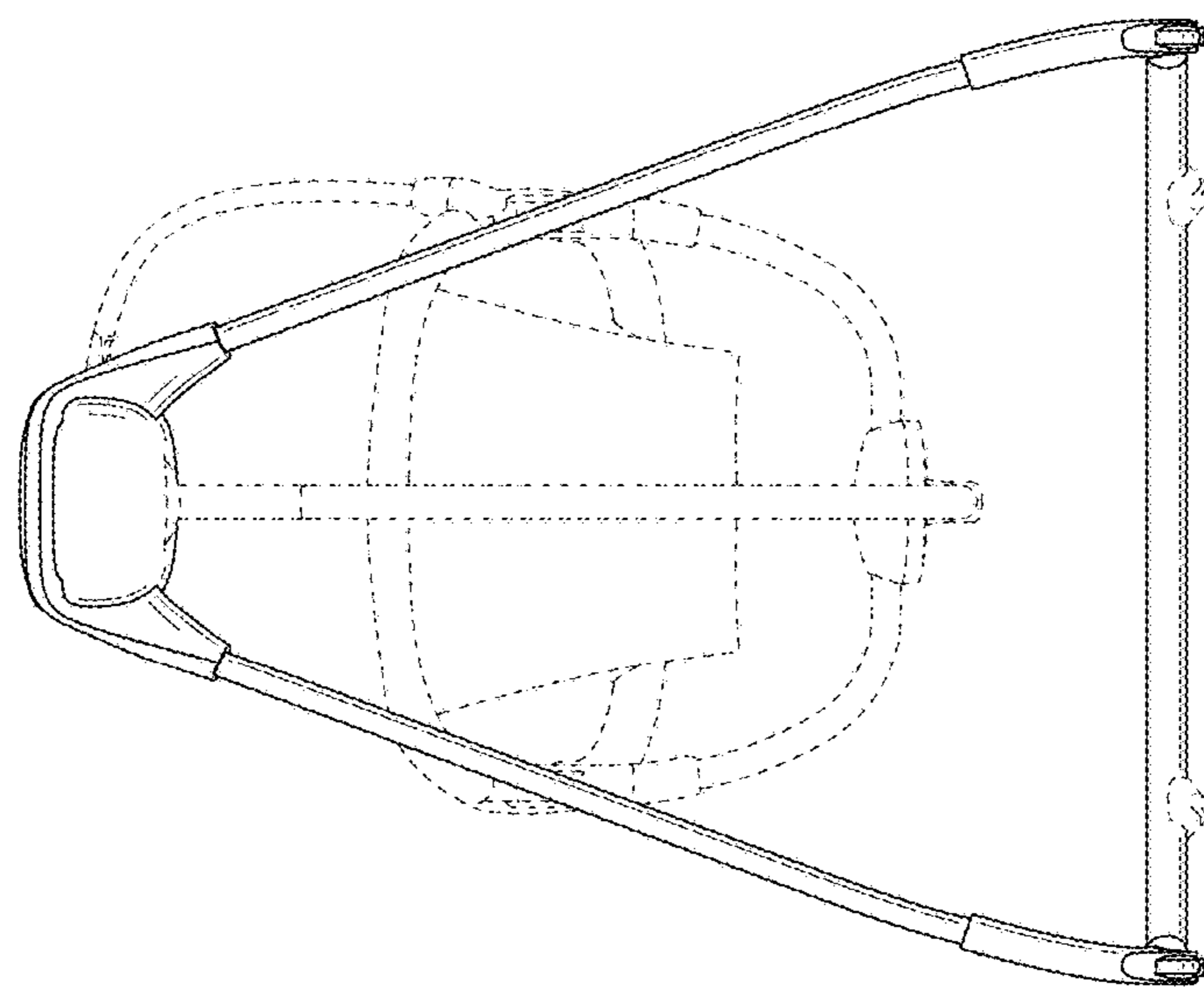


FIG. 8