



US00D859856S

(12) **United States Design Patent** (10) **Patent No.:** **US D859,856 S**  
**Josancy** (45) **Date of Patent:** **\*\* Sep. 17, 2019**

(54) **ELECTRIC TOASTER** D525,474 S \* 7/2006 Huang ..... D7/330  
D554,931 S \* 11/2007 Genslak ..... D7/330  
(71) Applicant: **SEB, Selongey (FR)** D655,126 S \* 3/2012 Gregory ..... D7/330  
D702,074 S \* 4/2014 De'Longhi ..... D7/330  
(72) Inventor: **Luc Josancy, Sainte-Colombe (FR)** D792,147 S \* 7/2017 Averty ..... D7/330  
D798,098 S \* 9/2017 Bournay, Jr. .... D7/330  
D814,223 S \* 4/2018 Barquin ..... A47J 37/0814  
D7/330  
2016/0166110 A1 \* 6/2016 Barnes ..... A47J 37/0814  
426/466

(21) Appl. No.: **35/504,773**

(22) Filed: **Mar. 23, 2018** \* cited by examiner

(80) **Hague Agreement Data**

*Primary Examiner* — Mary Ann Calabrese

Int. Filing Date: **Mar. 23, 2018**  
Int. Reg. No.: **DM/100506**  
Int. Reg. Date: **Mar. 23, 2018**  
Int. Reg. Pub. Date: **Apr. 20, 2018**

(57) **CLAIM**

(30) **Foreign Application Priority Data**

The ornamental design for an electric toaster, as shown and described.

Oct. 18, 2017 (FR) ..... 2017-4762

(51) **LOC (12) Cl.** ..... **07-02**

(52) **U.S. Cl.**  
USPC ..... **D6/330**

**DESCRIPTION**

(58) **Field of Classification Search**  
USPC ..... D7/232, 328-331  
CPC .... A47J 37/08; A47J 37/0807; A47J 37/0814;  
A47J 37/0821; A47J 37/0828; A47J  
37/0835; A47J 37/085; A47J 37/0857  
See application file for complete search history.

- 1. Electric toaster
- 1.1 : Back
- 1.2 : Front
- 1.3 : Right
- 1.4 : Left
- 1.5 : Top
- 1.6 : Bottom
- 1.7 : Perspective

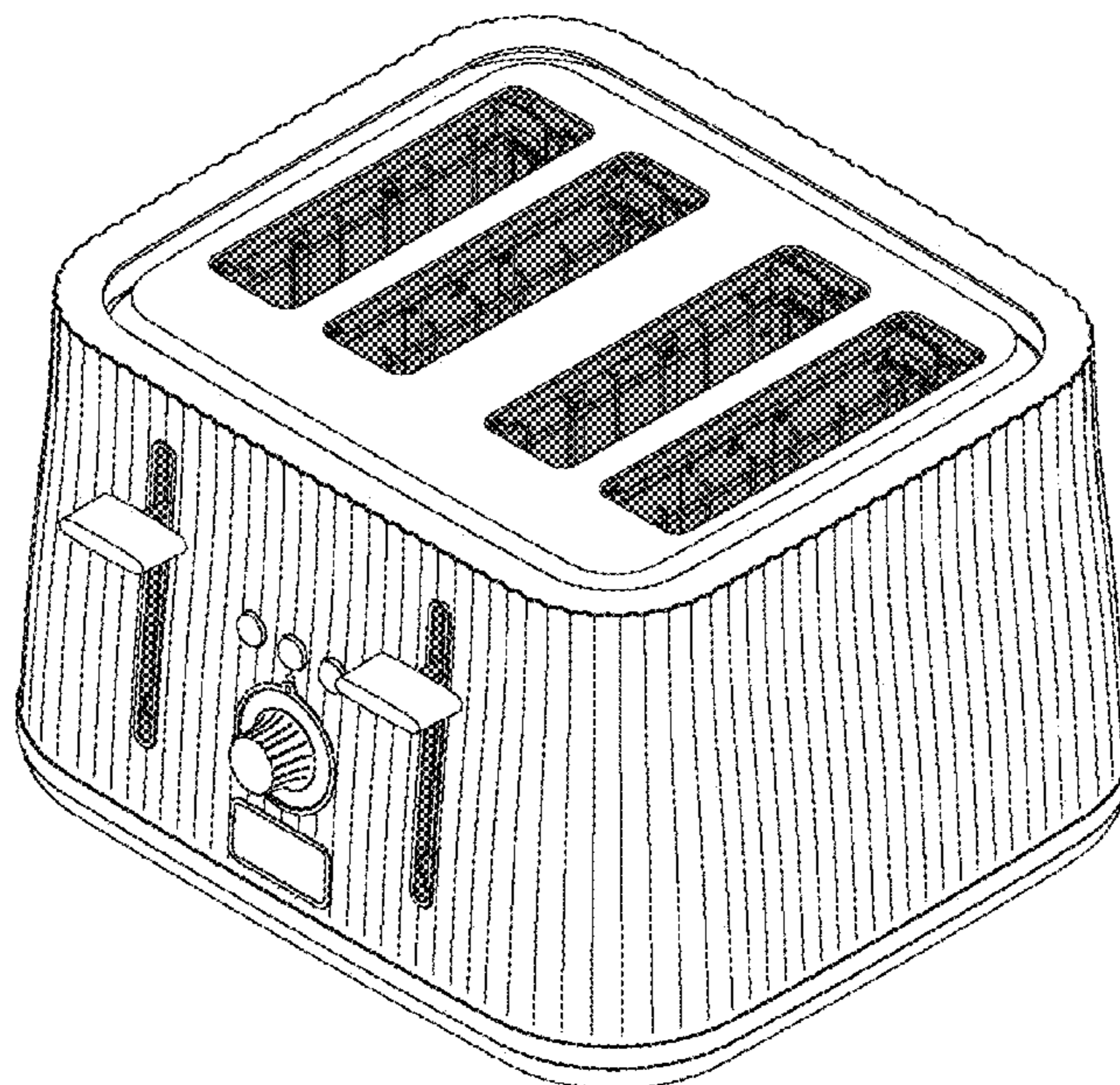
(56) **References Cited**

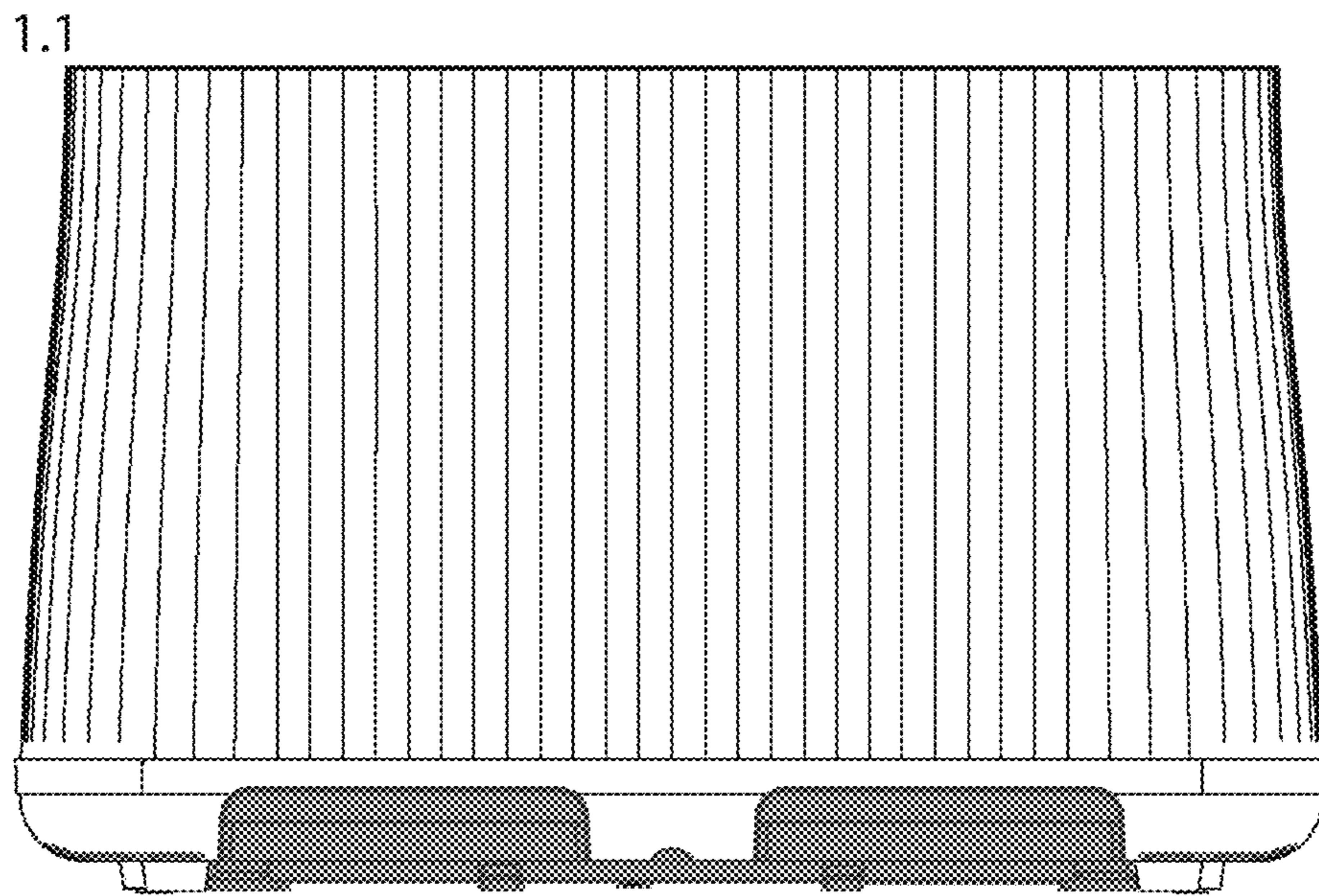
The portions of the electric toaster shown by coloring form no part of the claimed design.

**U.S. PATENT DOCUMENTS**

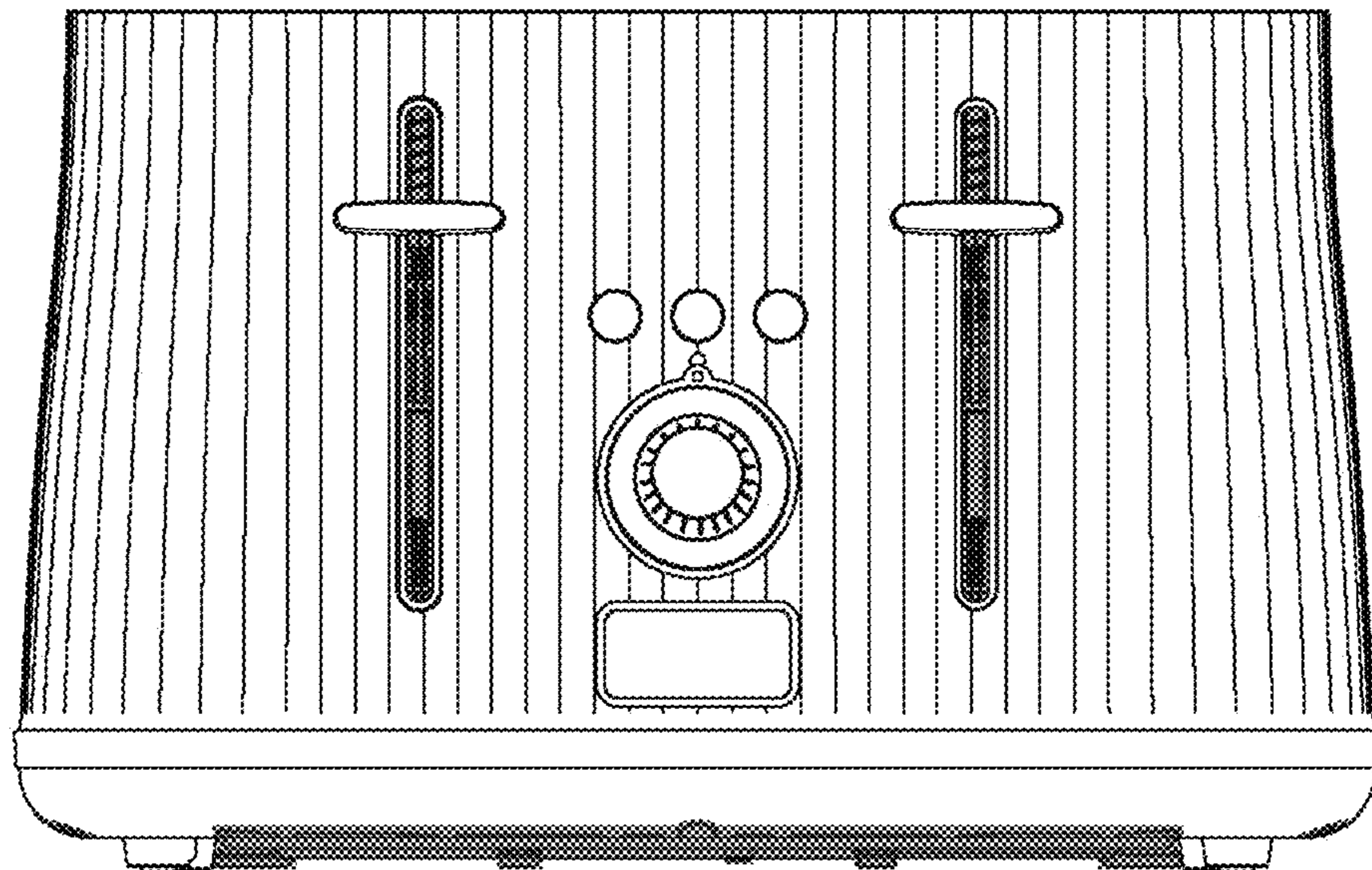
D154,535 S \* 7/1949 Epstein ..... D7/328  
D193,599 S \* 9/1962 De Fano ..... D7/330

**1 Claim, 7 Drawing Sheets**

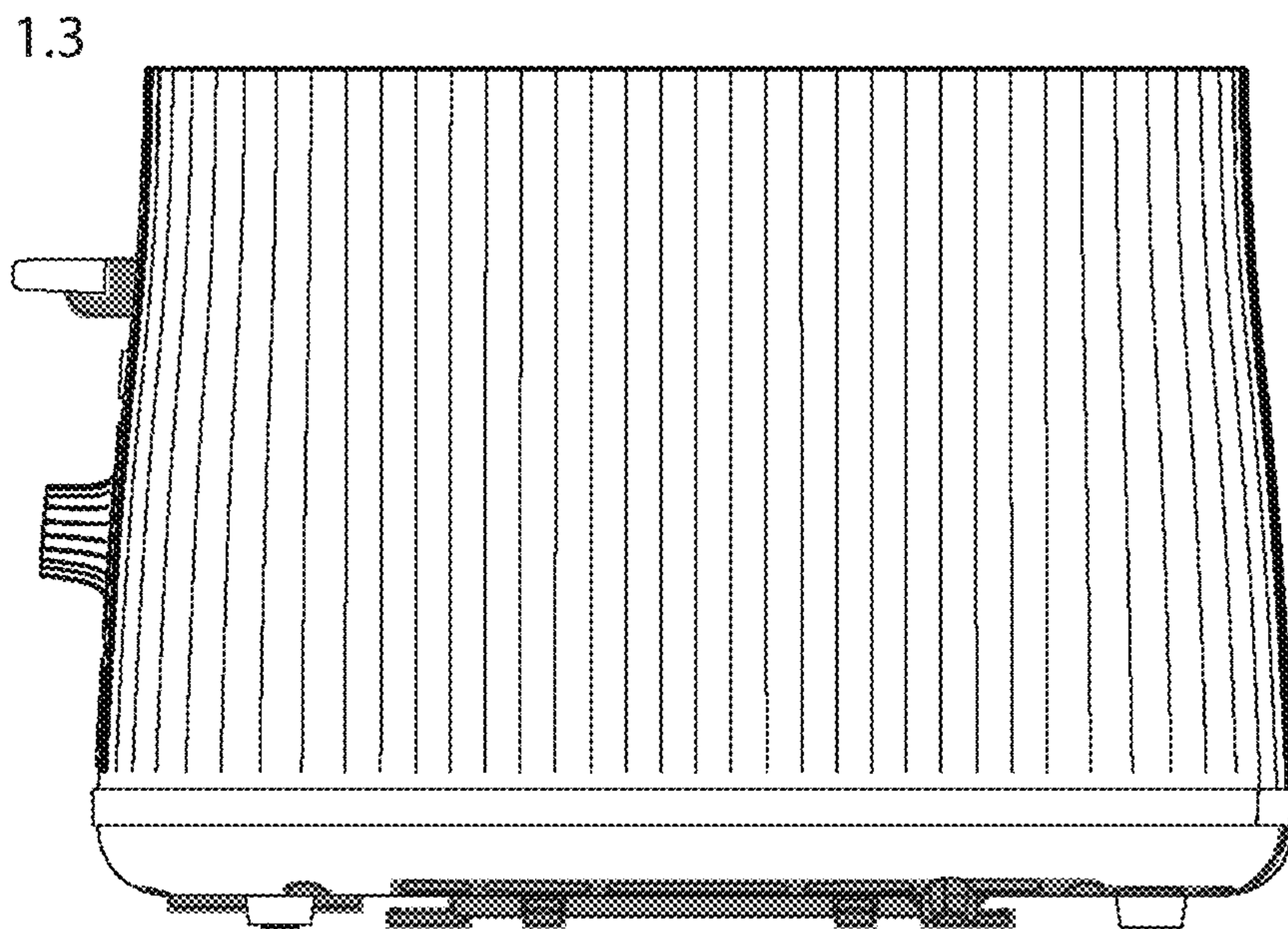




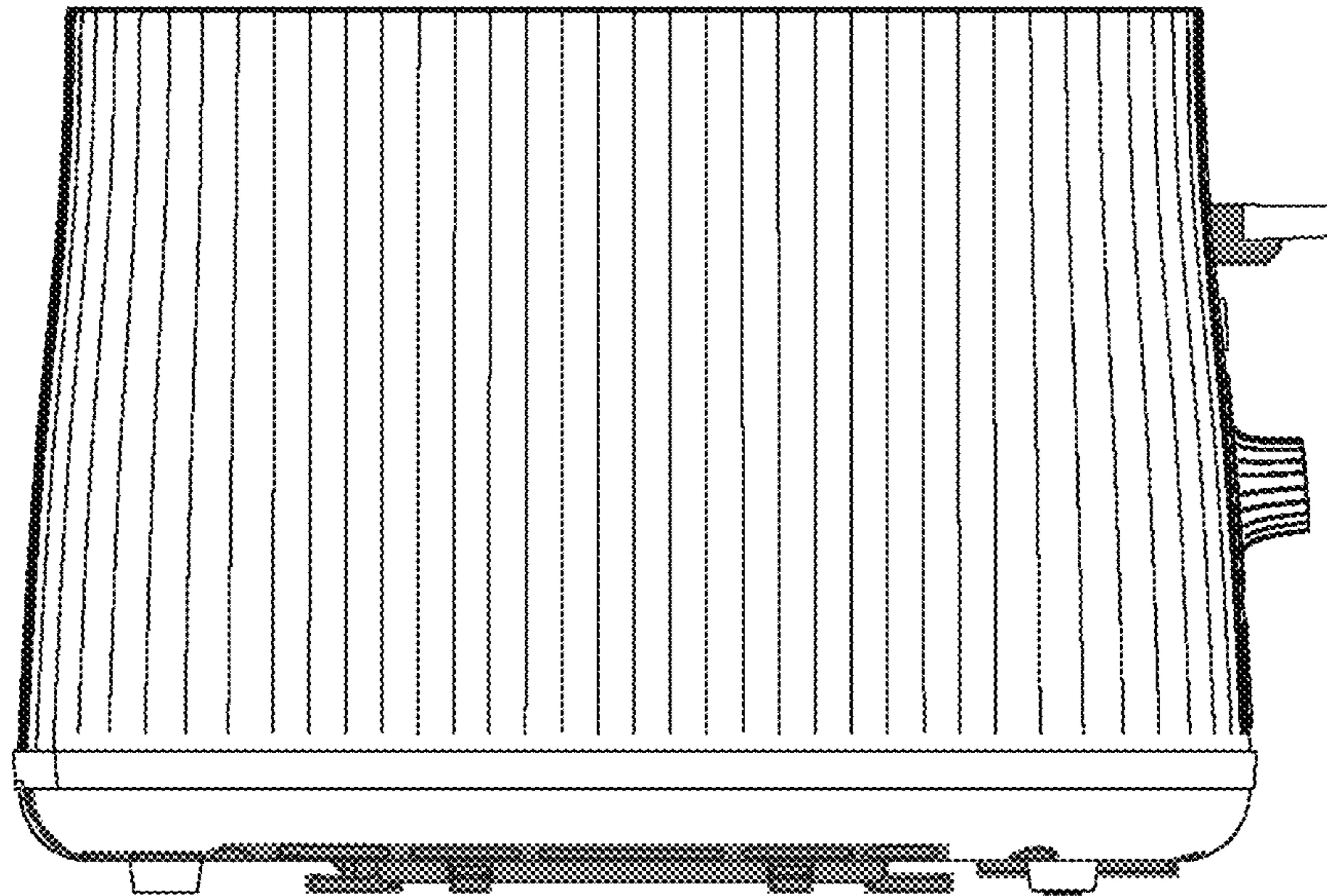
1.2



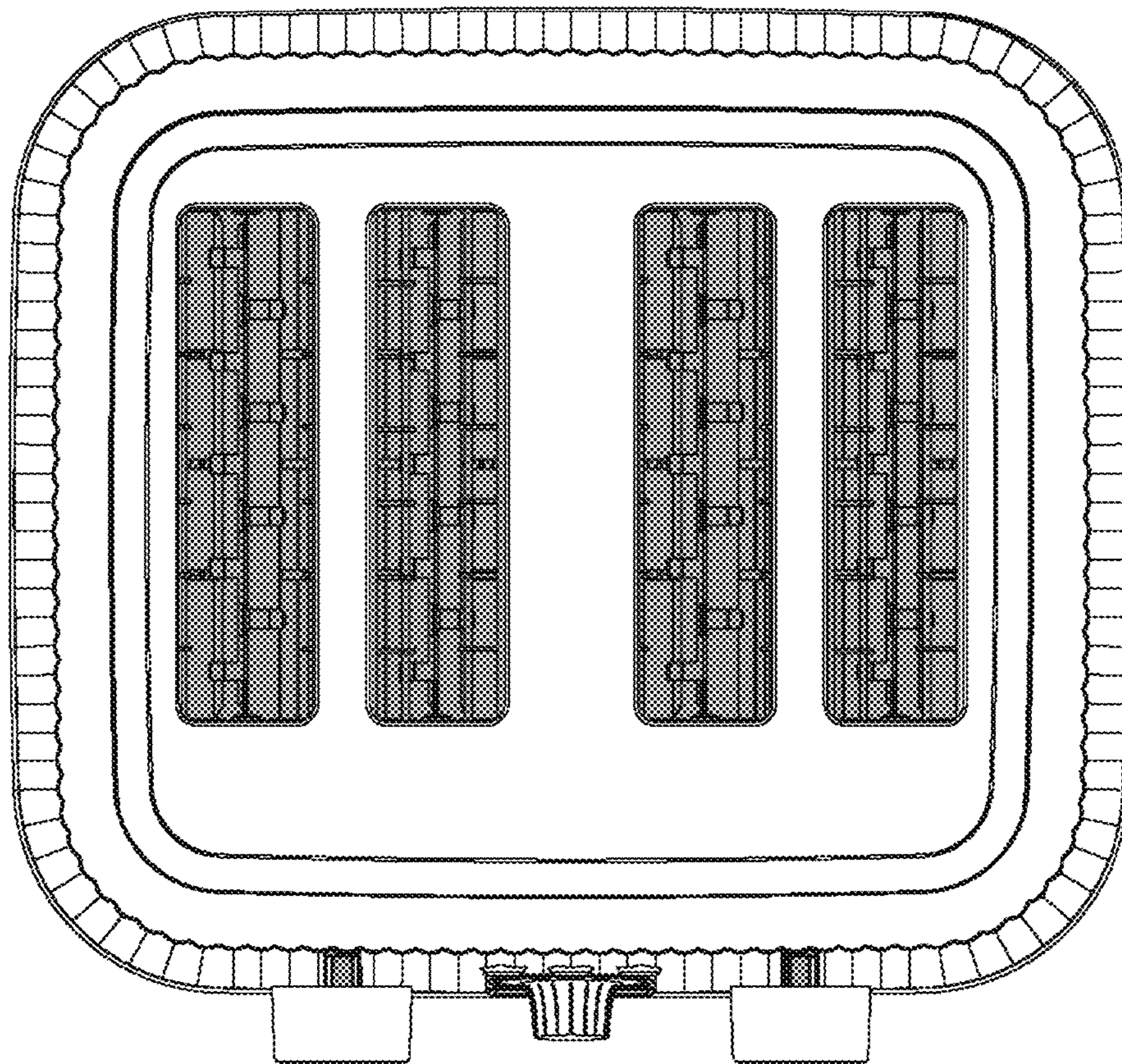




1.4

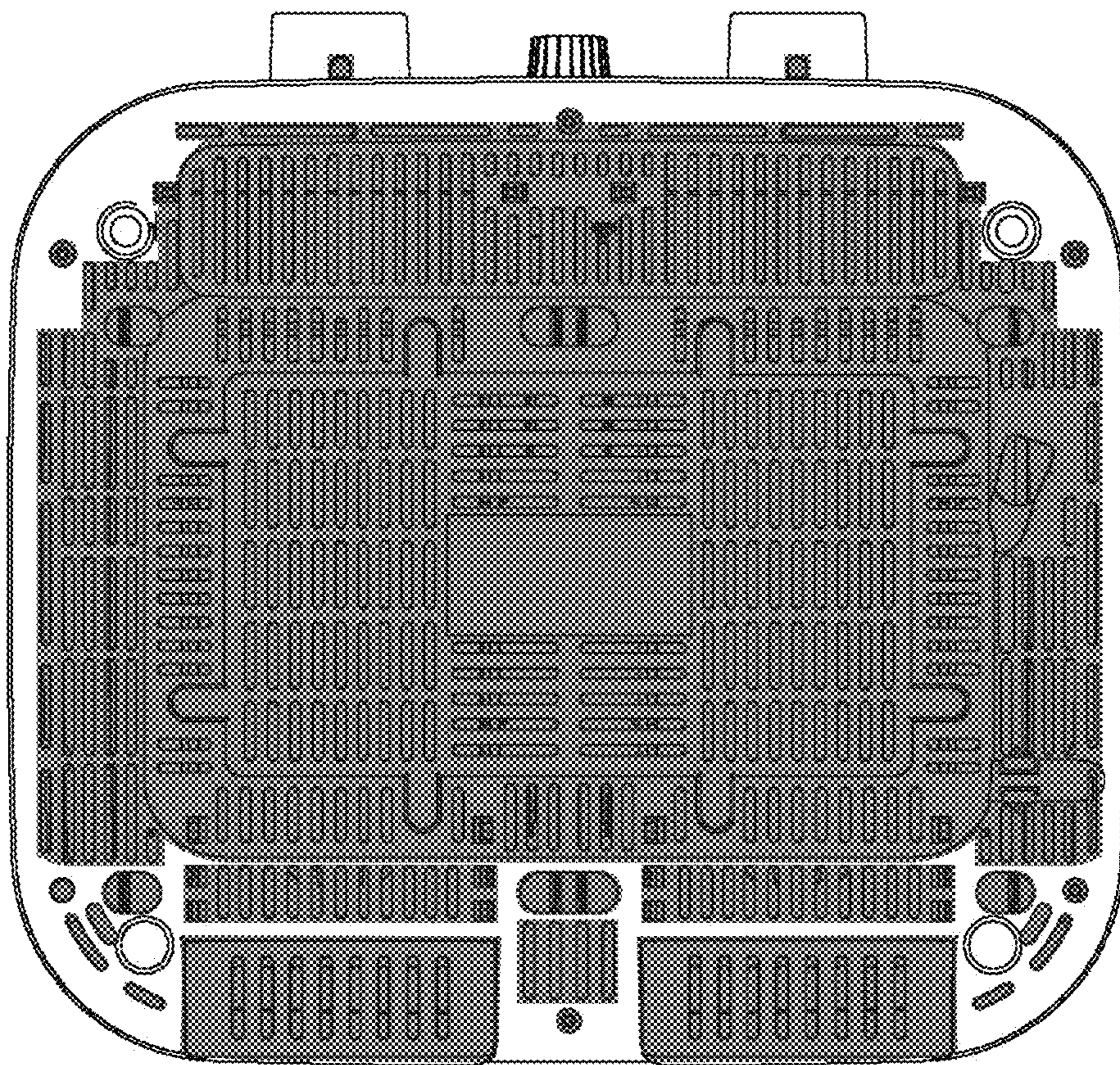


1.5





1.6





1.7

