



US00D859849S

(12) **United States Design Patent**
Sun

(10) **Patent No.:** **US D859,849 S**

(45) **Date of Patent:** **** Sep. 17, 2019**

(54) **HAIRBRUSH**

(71) Applicant: **JSIU BEAUTY CO., LTD**, Ningbo,
Zhejiang (CN)

(72) Inventor: **Yichun Sun**, Zhejiang (CN)

(73) Assignee: **JSIU BEAUTY CO., LTD**, Ningbo
(CN)

(**) Term: **15 Years**

(21) Appl. No.: **29/631,341**

(22) Filed: **Dec. 29, 2017**

(30) **Foreign Application Priority Data**

Sep. 27, 2017 (CN) 2017 3 0462556

(51) **LOC (12) Cl.** **04-02**

(52) **U.S. Cl.**
USPC **D4/134**

(58) **Field of Classification Search**
USPC D4/128, 129, 130, 134, 136, 137, 138,
D4/199; D24/211; D30/158; D8/83,
D8/DIG. 7, DIG. 8
CPC A46B 5/02; A46B 9/023; A46B 9/028;
A46B 9/06; A46B 2200/104; A46B
5/0025

See application file for complete search history.

(56) **References Cited**

U.S. PATENT DOCUMENTS

2,027,884 A * 1/1936 Schwab A46B 9/06
15/186
2,882,544 A * 4/1959 Hadidian A46B 5/0029
15/167.1
5,850,660 A * 12/1998 O'Halloran A46B 3/16
15/195
D439,747 S * 4/2001 Harris D4/136

D532,608 S * 11/2006 Berti D4/120
D544,715 S * 6/2007 White D4/133
D640,874 S * 7/2011 Huang D4/138
7,975,344 B2 * 7/2011 Braun A46B 3/16
15/110

(Continued)

FOREIGN PATENT DOCUMENTS

CN 304501194 * 2/2018
CN 304501192 * 9/2018

(Continued)

OTHER PUBLICATIONS

Olivia Garden ceramic ion pink 55 mm hairbrush [on-line]. Pub-
lished Jul. 18, 2017; retrieved from Internet May 20, 2019. URL:
[https://web.archive.org/web/20170718053138/https://www.pro-sprzet.
pl/szczotka-olivia-garden-ceramic-ion-pink-55mm.html](https://web.archive.org/web/20170718053138/https://www.pro-sprzet.pl/szczotka-olivia-garden-ceramic-ion-pink-55mm.html) (Year: 2017).*

Primary Examiner — Karen E Eldridge Powers

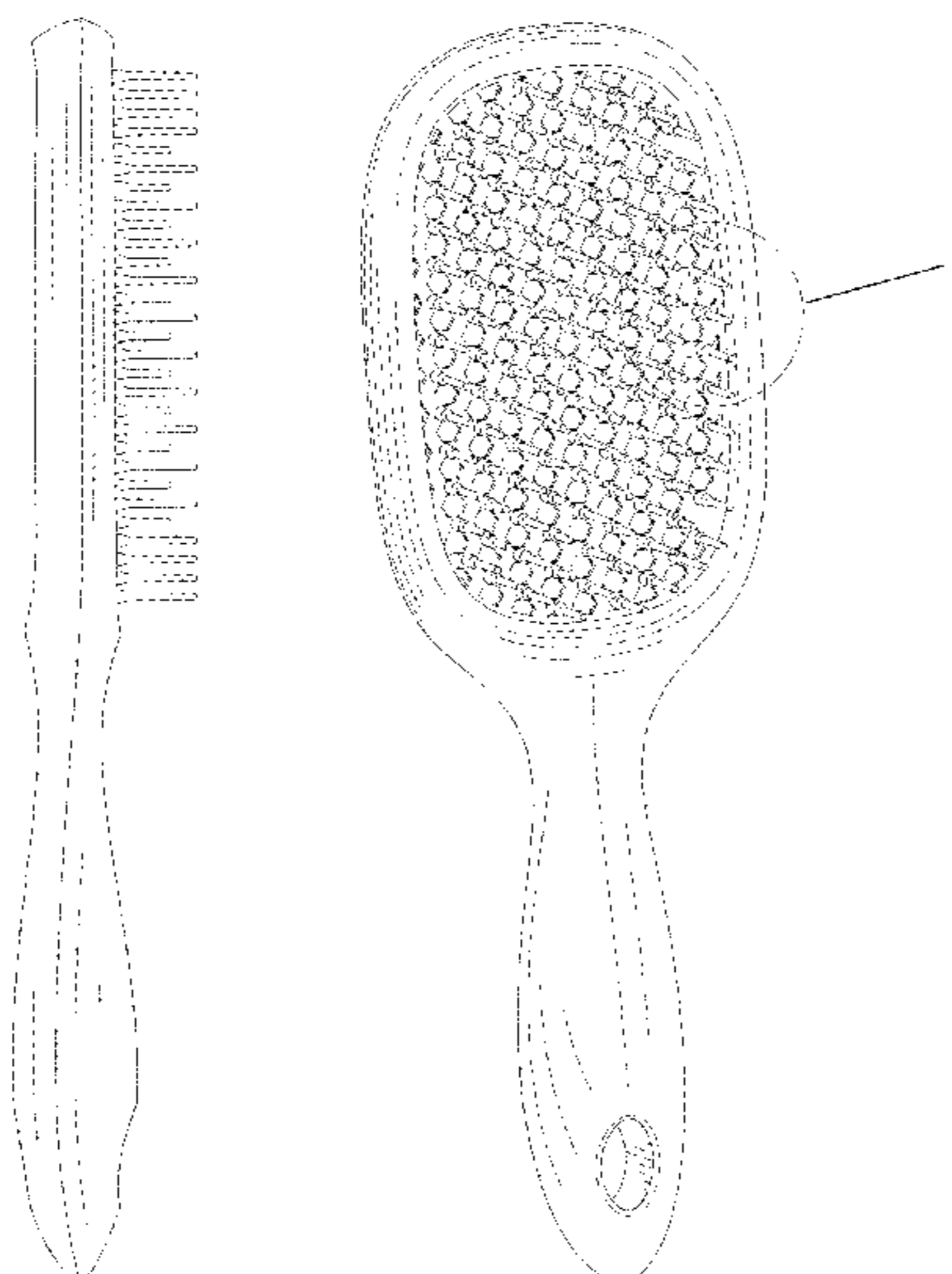
(57) **CLAIM**

The ornamental design for a hairbrush, as shown and
described.

DESCRIPTION

FIG. 1 is a front elevational view of a hairbrush showing my
new design;
FIG. 2 is a rear elevational view thereof;
FIG. 3 is a left side elevational view thereof;
FIG. 4 is a top plan view thereof;
FIG. 5 is a bottom plan view thereof;
FIG. 6 is a front perspective view thereof;
FIG. 7 is a rear perspective view thereof;
FIG. 8 is an enlarged view of portion 8 in FIG. 6; and,
FIG. 9 is an enlarged view of portion 9 in FIG. 7.
The broken lines shown in the drawings illustrate both the
bounds of the portions of the claimed design that appear in
the enlarged views and define the edges of the enlarged
views. The broken lines form no part of the claimed design.

1 Claim, 9 Drawing Sheets



(56)

References Cited

U.S. PATENT DOCUMENTS

D644,440	S *	9/2011	Rennette	D4/116
D646,488	S *	10/2011	Rennette	D4/116
D679,509	S *	4/2013	Park	D4/199
8,506,197	B2 *	8/2013	Beaty	A46B 11/00 15/160
D696,026	S *	12/2013	Park	D4/128
D730,061	S *	5/2015	Rennette	D4/128
D766,589	S *	9/2016	Cheung	D4/136
D830,704	S *	10/2018	Treeby	D4/134
D834,833	S *	12/2018	Martensson	D4/138
10,278,485	B2 *	5/2019	Hohlbein	A46B 9/028
2002/0004964	A1 *	1/2002	Luchino	A46B 3/00 15/167.1
2004/0060137	A1 *	4/2004	Eliav	A61C 17/22 15/22.1
2004/0177462	A1 *	9/2004	Brown, Jr.	A46B 3/16 15/167.1

2005/0235439	A1 *	10/2005	Braun	A46B 5/0025 15/22.1
2006/0272112	A9 *	12/2006	Braun	A46B 5/0025 15/22.1
2008/0060155	A1 *	3/2008	Braun	A46B 3/16 15/110
2009/0083925	A1 *	4/2009	Mathiez	A46B 3/005 15/207.2
2011/0094528	A1 *	4/2011	Leung	A46B 9/023 132/120
2016/0095424	A1 *	4/2016	Sommer	A46B 9/023 15/186

FOREIGN PATENT DOCUMENTS

EM	002768275-0001	*	9/2015
GB	4042984	*	10/2015
KR	300813376.0000	*	9/2015
KR	300951945.0000	*	11/2018

* cited by examiner

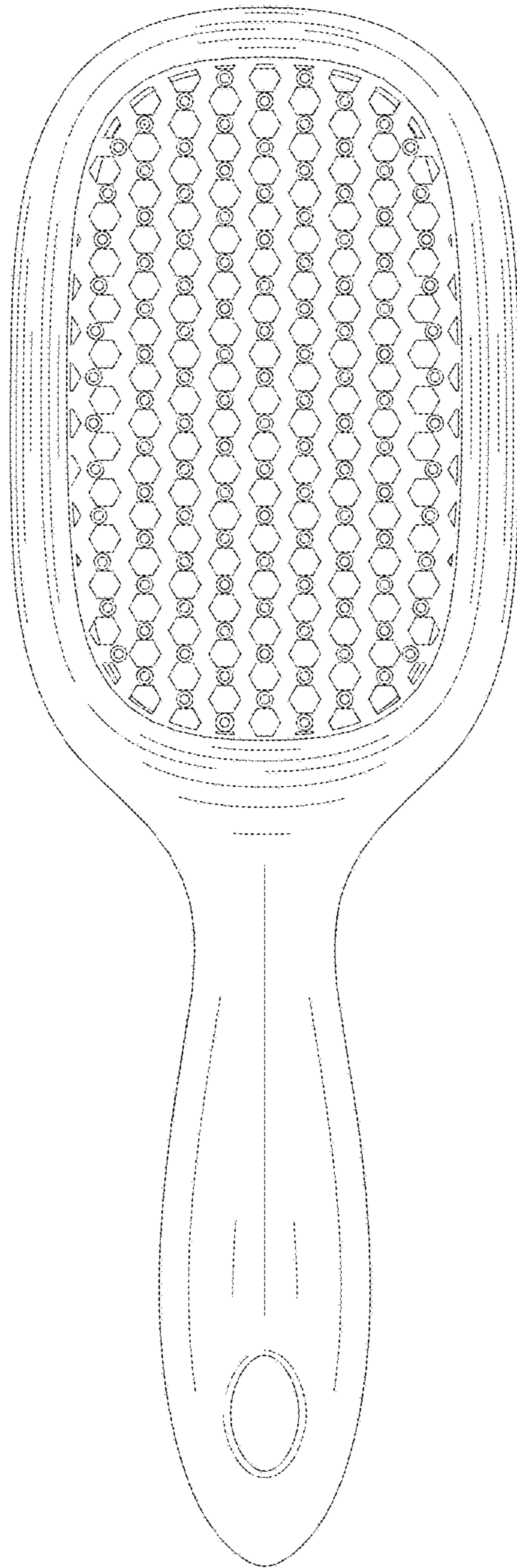


FIG. 1

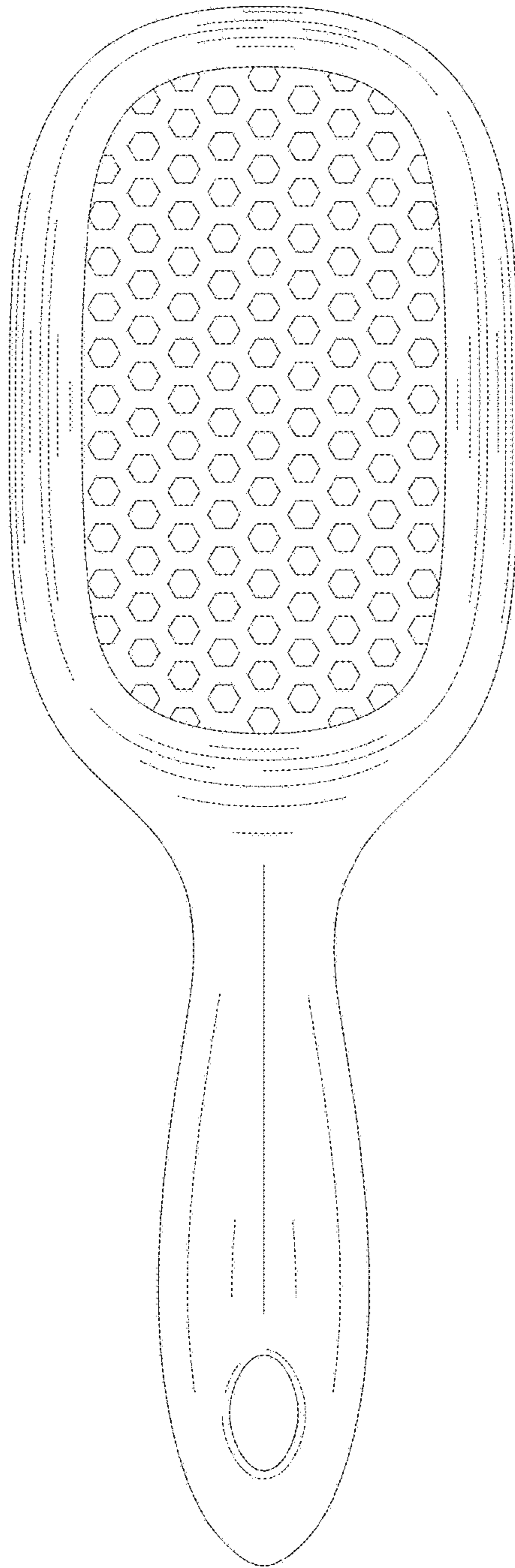


FIG. 2

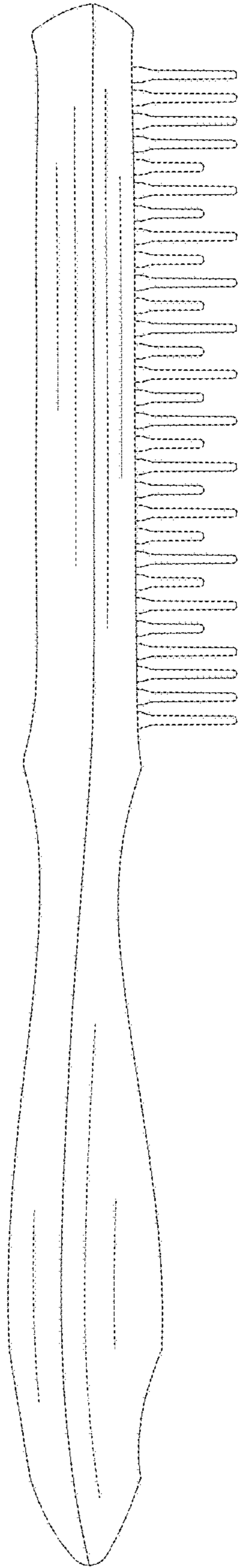


FIG. 3

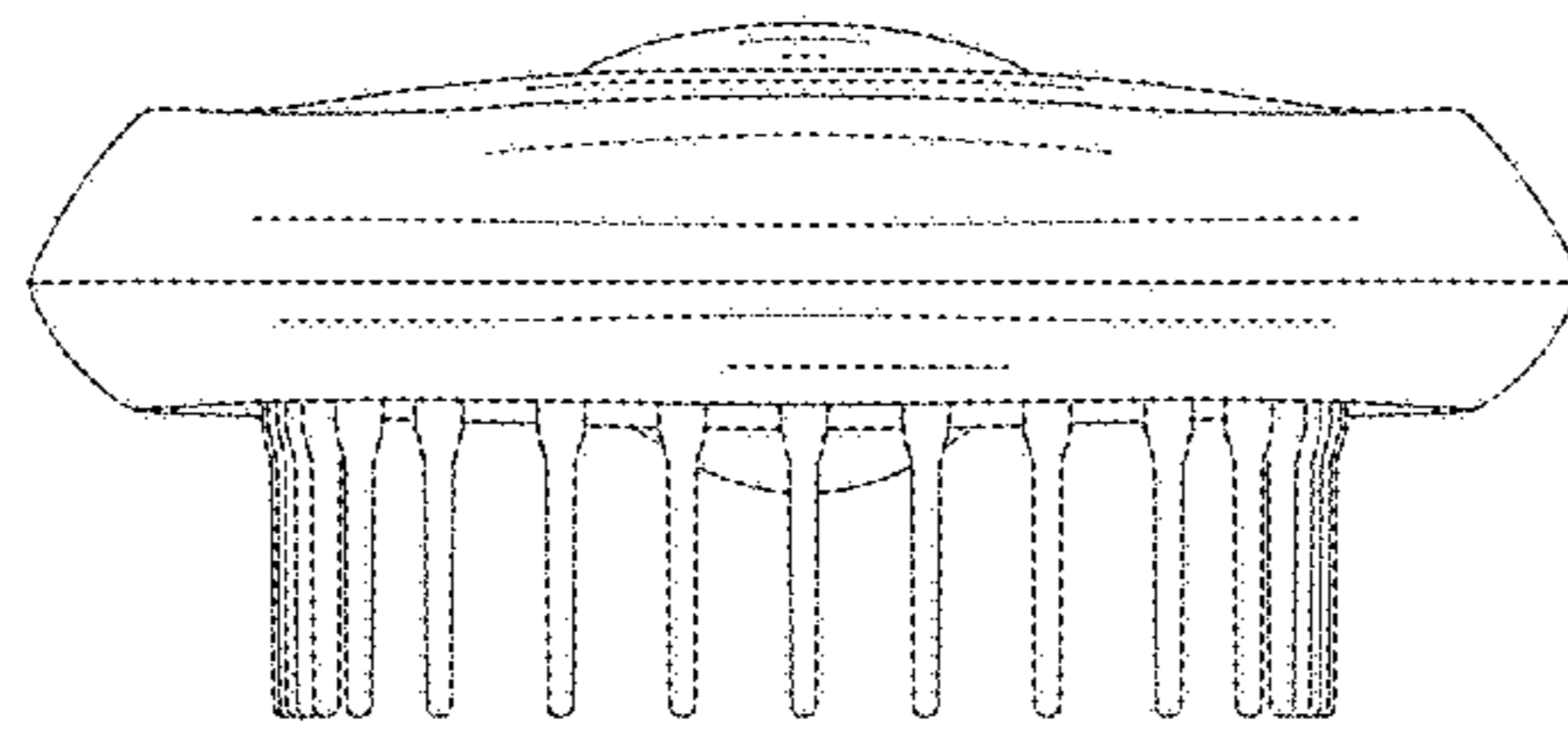


FIG. 4

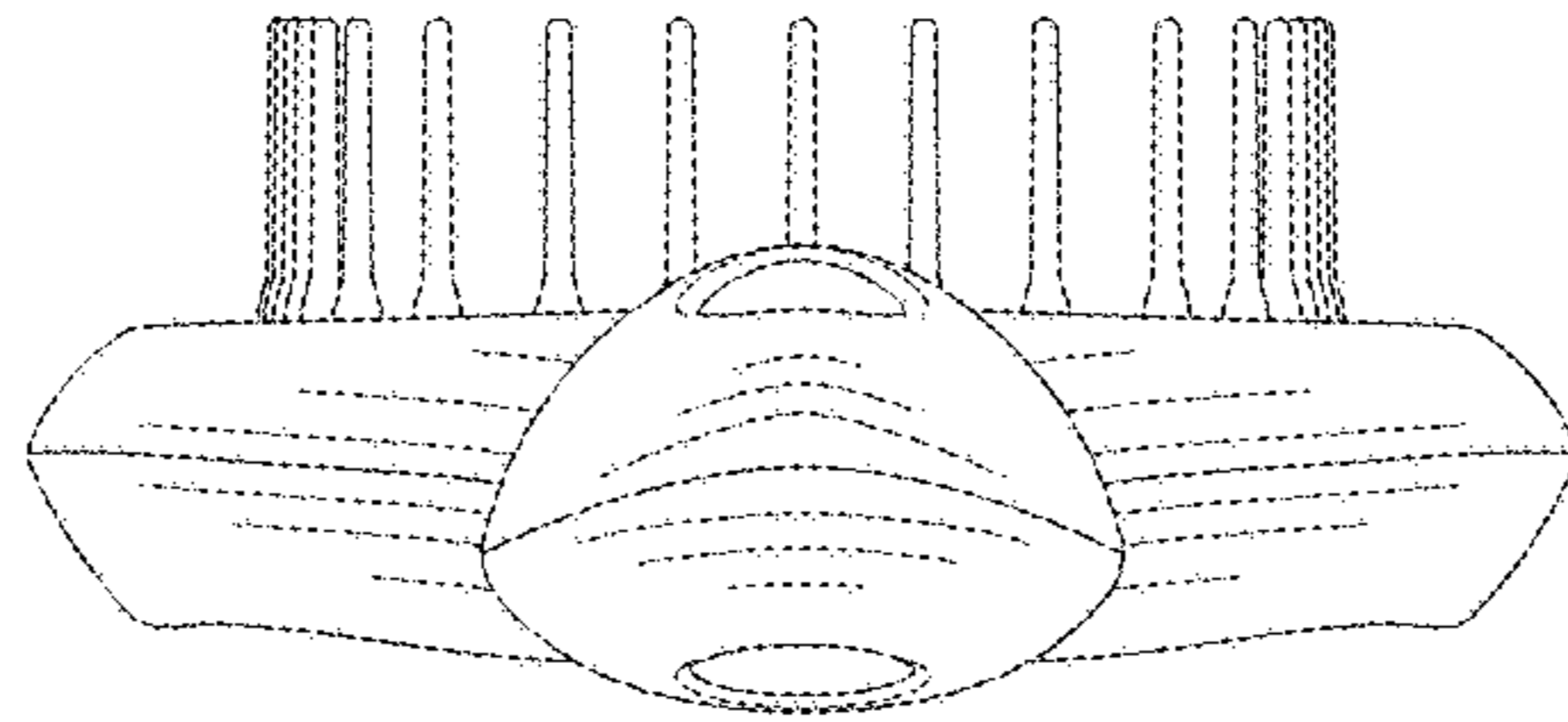


FIG. 5

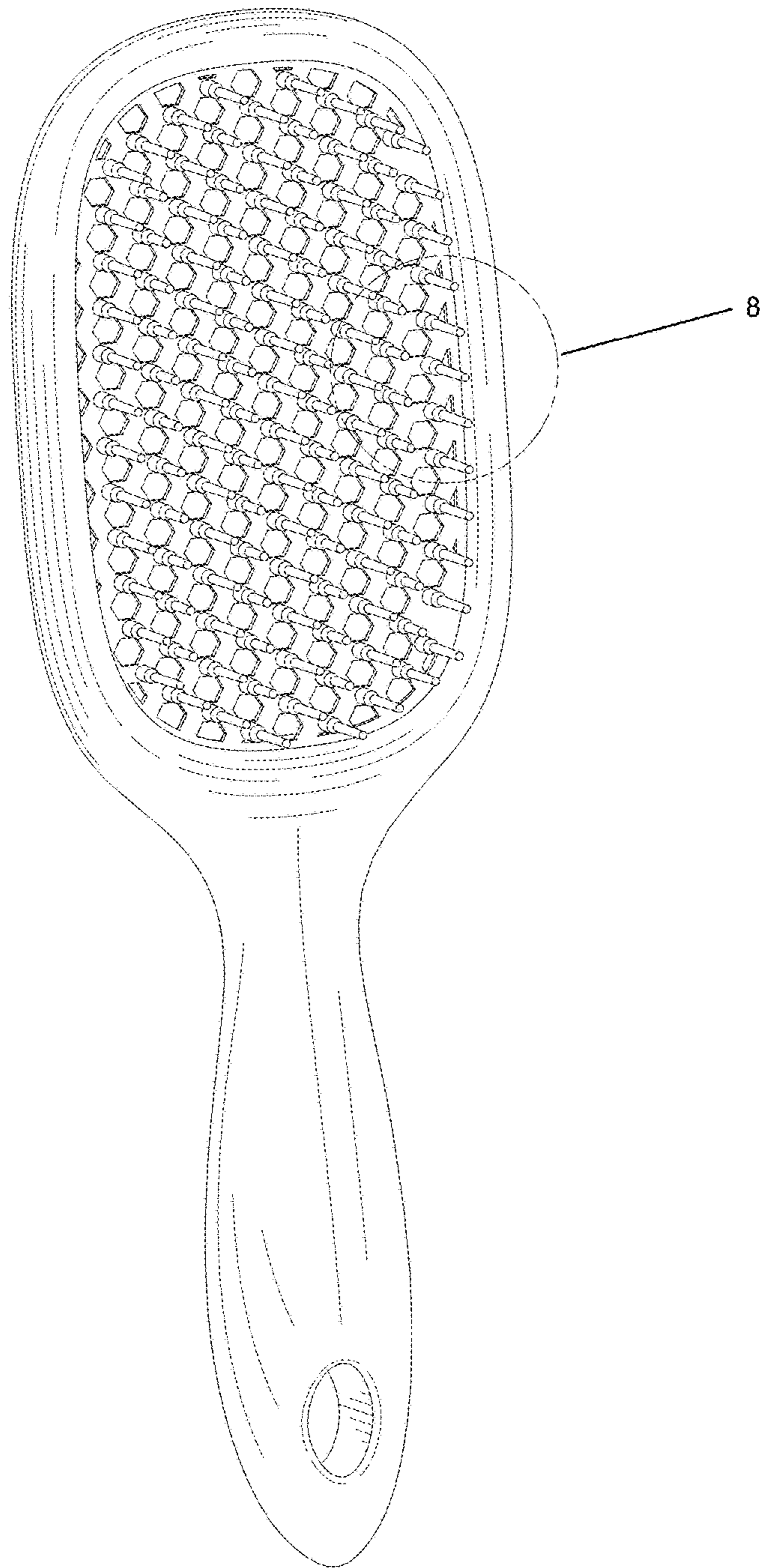


FIG. 6

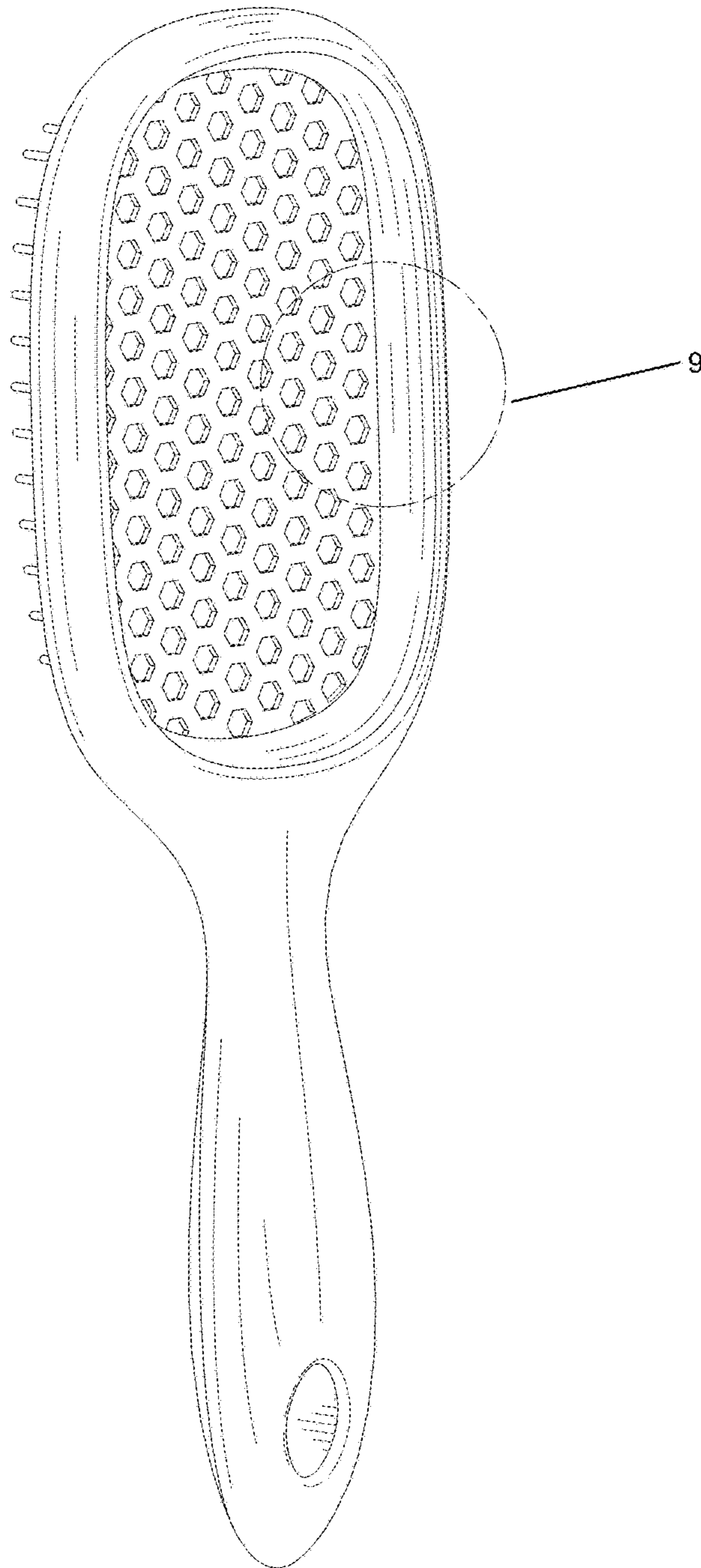


FIG. 7

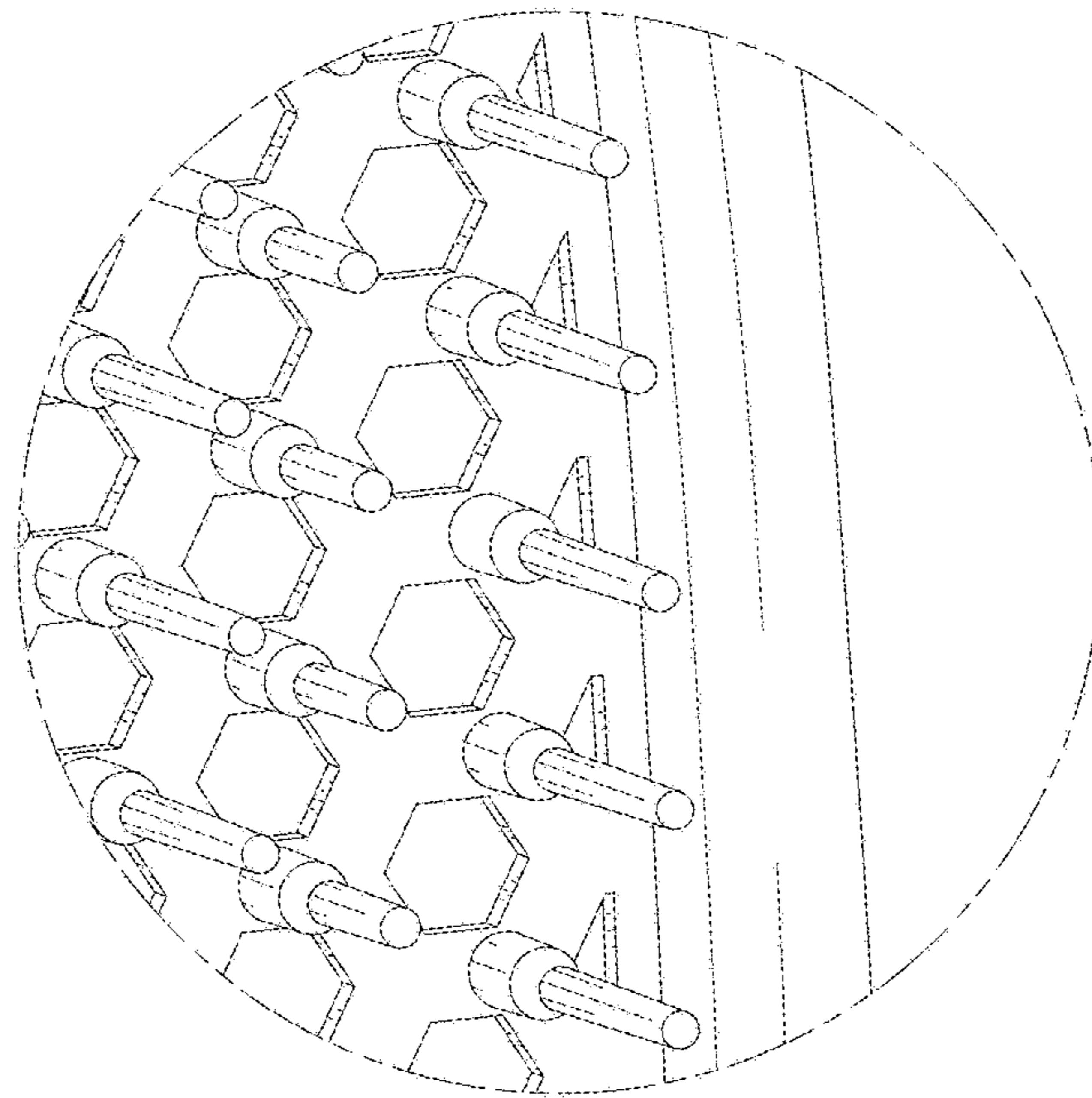


FIG. 8

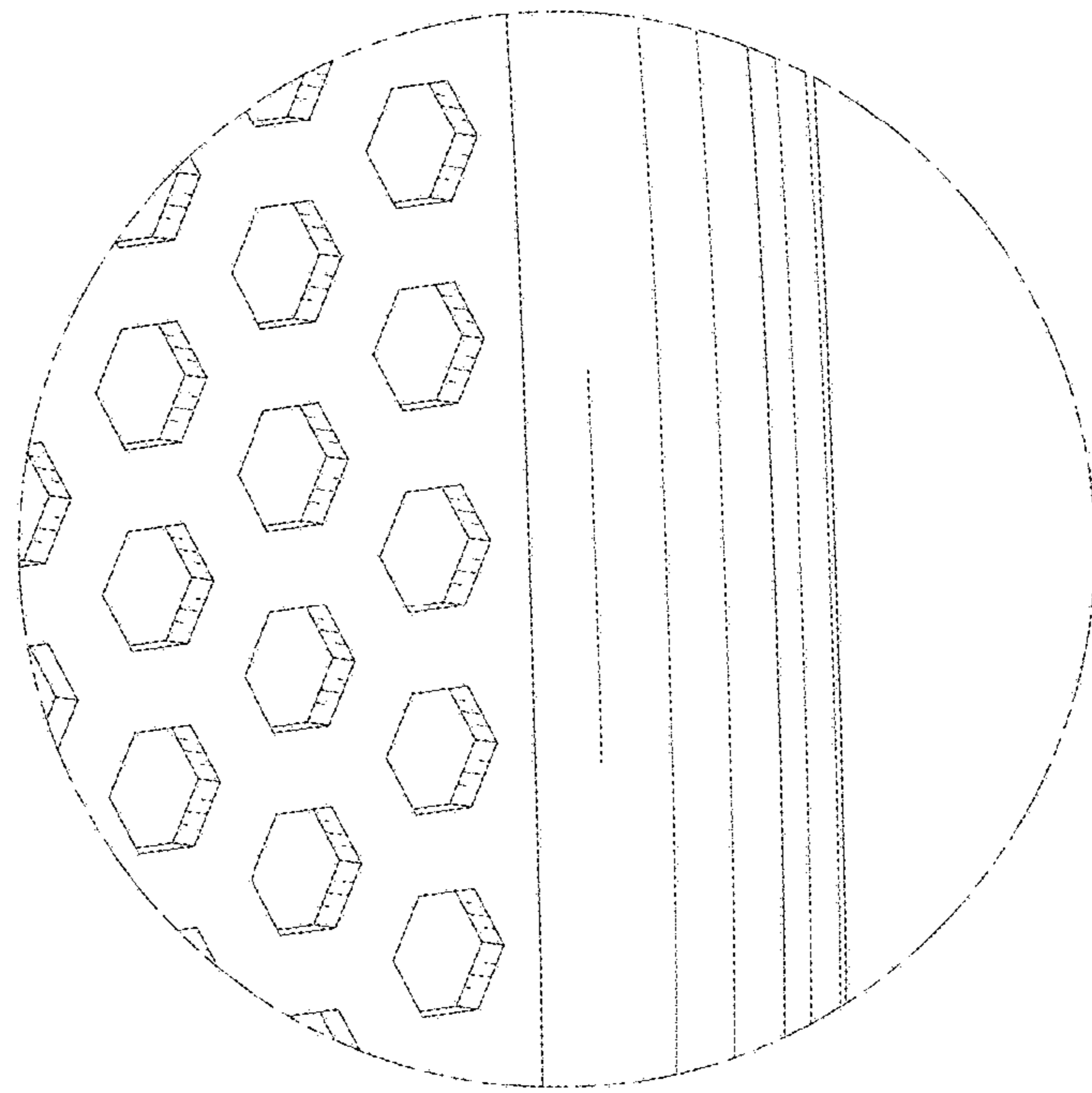


FIG. 9