



US00D859845S

(12) **United States Design Patent**  
**Dombrowski et al.**

(10) **Patent No.:** **US D859,845 S**

(45) **Date of Patent:** **\*\* Sep. 17, 2019**

(54) **DRYWALL INSIDE CORNER ROLLER**

7,281,291 B1 \* 10/2007 Hajianpour ..... B05C 17/0227  
15/230.11

(71) Applicant: **CanAm Tool Corp.**, Sturgeon County  
(CA)

7,707,678 B2 \* 5/2010 Major ..... B05C 17/022  
15/230.11

(72) Inventors: **Wolfgang Dombrowski**, Sturgeon  
County (CA); **Micah Warkentin**,  
Edmonton (CA); **Jimmy Rogers**,  
Toronto (CA)

8,109,313 B2 \* 2/2012 Rosso ..... B44C 7/02  
156/574

8,225,448 B2 \* 7/2012 Vasilakes ..... A47L 25/005  
15/104.002

(73) Assignee: **Can-Am Tool Corp.**, Sturgeon County  
(CA)

D695,018 S \* 12/2013 Gallardo ..... D4/122

8,832,897 B2 \* 9/2014 Gallardo ..... B05C 17/0207  
15/230.11

D728,945 S \* 5/2015 Neal ..... D4/122  
2008/0086828 A1 \* 4/2008 Major ..... B05C 17/0227  
15/230.11

(\*\*) Term: **15 Years**

\* cited by examiner

(21) Appl. No.: **29/610,143**

*Primary Examiner* — Austin Murphy

(22) Filed: **Jul. 10, 2017**

(74) *Attorney, Agent, or Firm* — Davis & Bujold PLLC;  
Michael J. Bujold

(30) **Foreign Application Priority Data**

Jan. 10, 2017 (CA) ..... 172463

(51) **LOC (12) Cl.** ..... **04-01**

(52) **U.S. Cl.**  
USPC ..... **D4/122**

(58) **Field of Classification Search**  
USPC ..... D4/122, 138; 15/27, 104.001, 104.002,  
15/230.11; 492/13, 16-19  
CPC ..... B05C 1/00; B05C 1/02; B05C 17/0205;  
B44D 2/00  
See application file for complete search history.

(56) **References Cited**

U.S. PATENT DOCUMENTS

5,386,611 A \* 2/1995 Kim ..... B05C 17/0227  
15/143.1  
D405,958 S \* 2/1999 Mollack ..... D4/122

(57) **CLAIM**

We claim the ornamental design for a drywall inside corner roller, as shown and described.

**DESCRIPTION**

FIG. 1 is a front perspective view of a drywall inside corner roller.

FIG. 2 is a rear perspective view of the drywall inside corner roller.

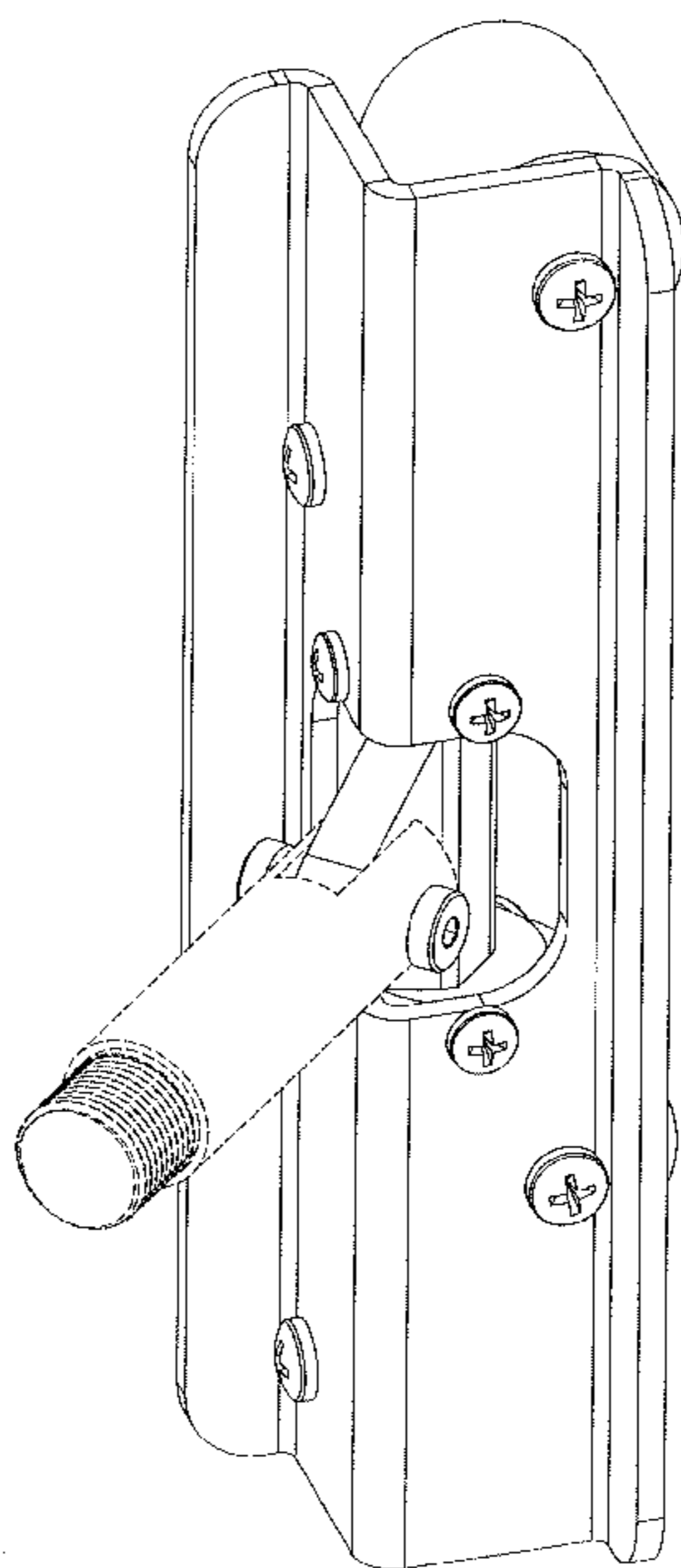
FIG. 3 is a top plan view of the drywall inside corner roller.

FIG. 4 is a rear view of the drywall inside corner roller.

FIG. 5 is a bottom view of the drywall inside corner roller; and,

FIG. 6 is a side view of the drywall inside corner roller.

**1 Claim, 6 Drawing Sheets**



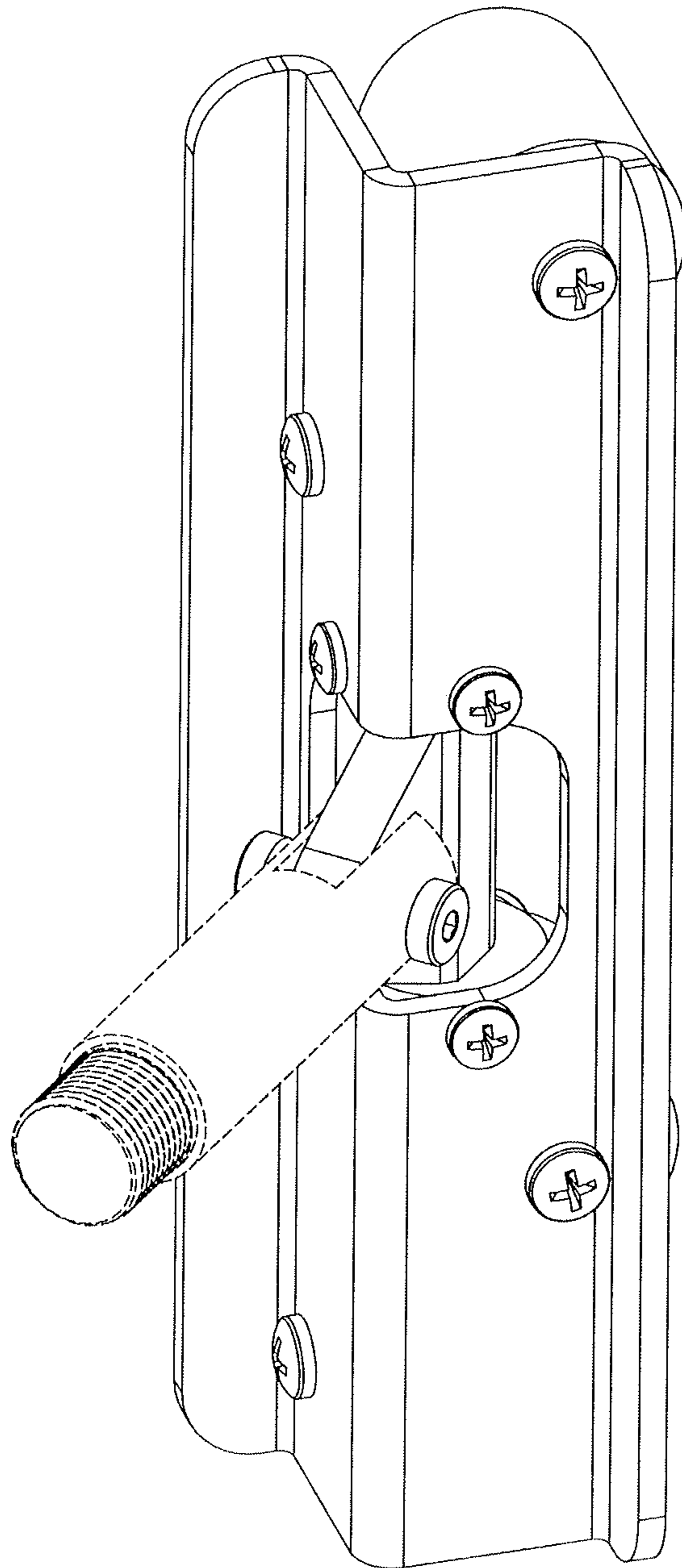


FIG. 1

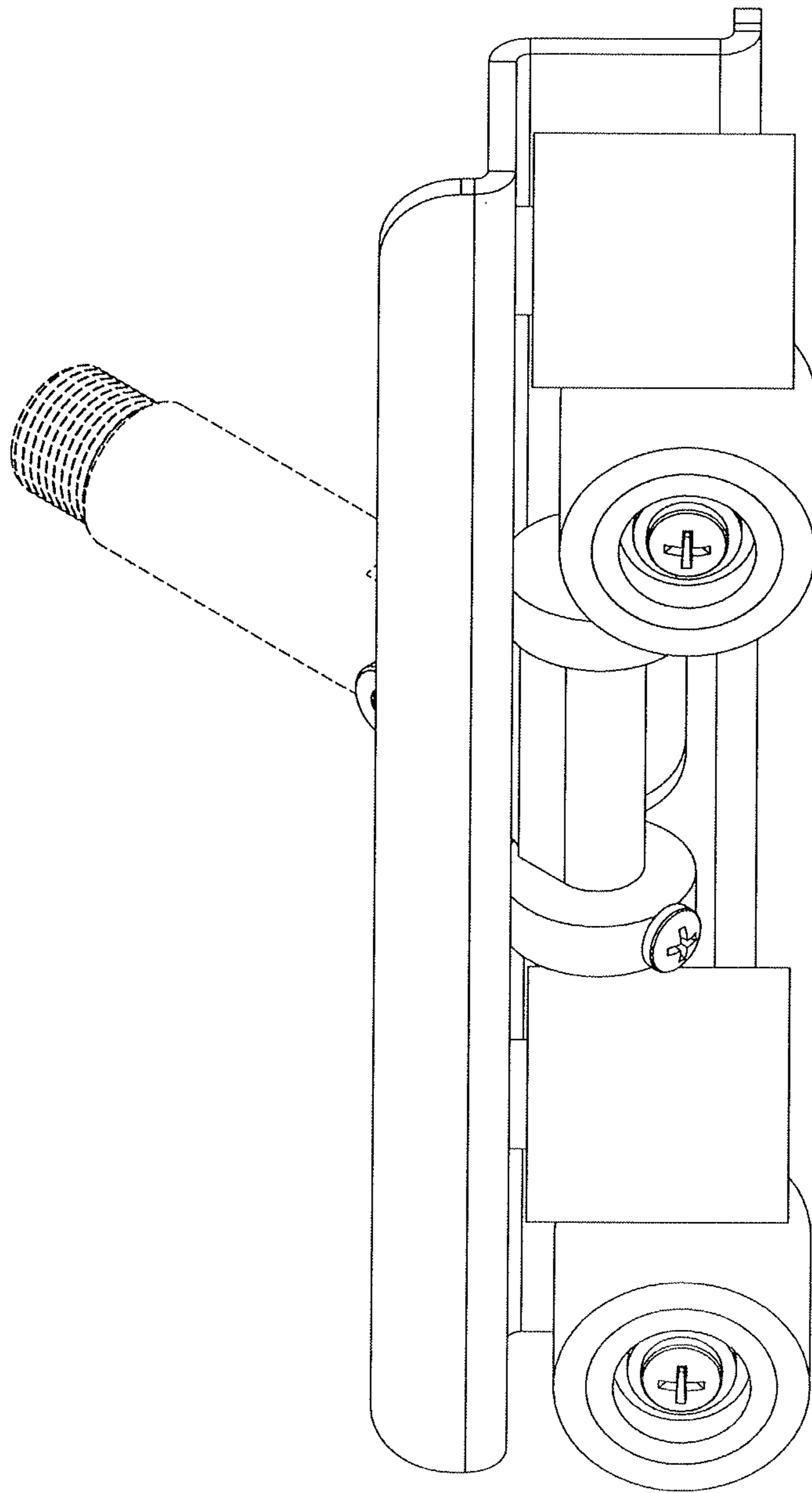


FIG. 2

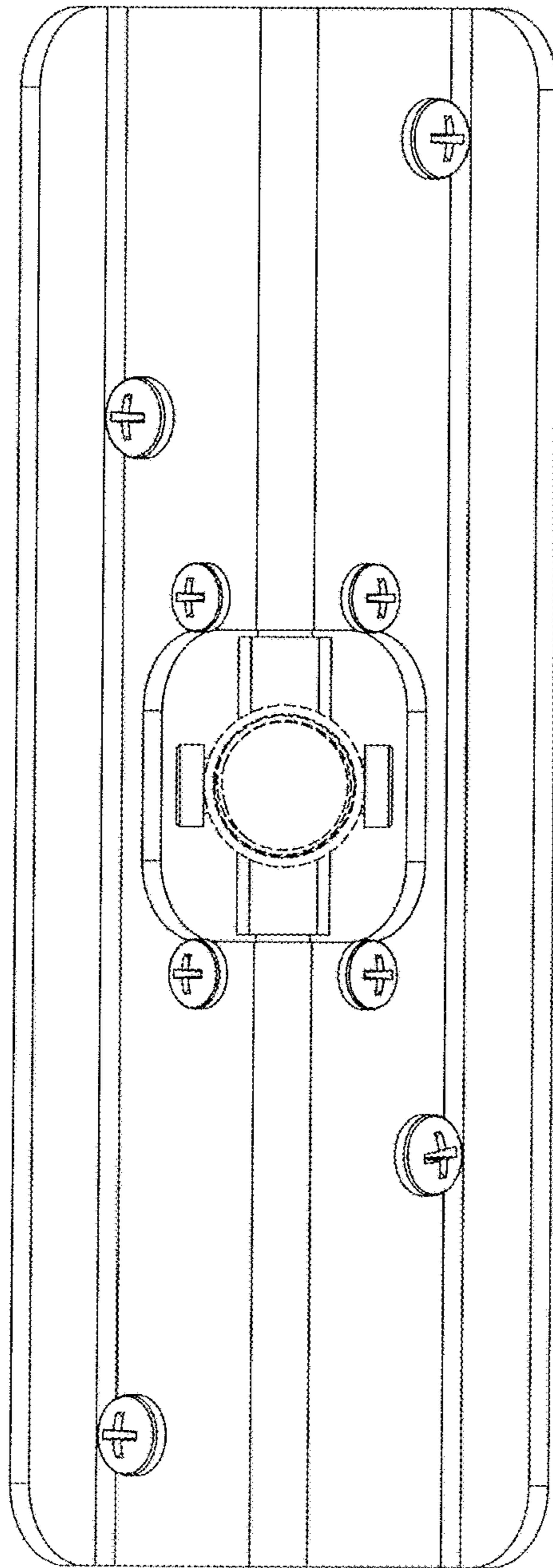


FIG. 3

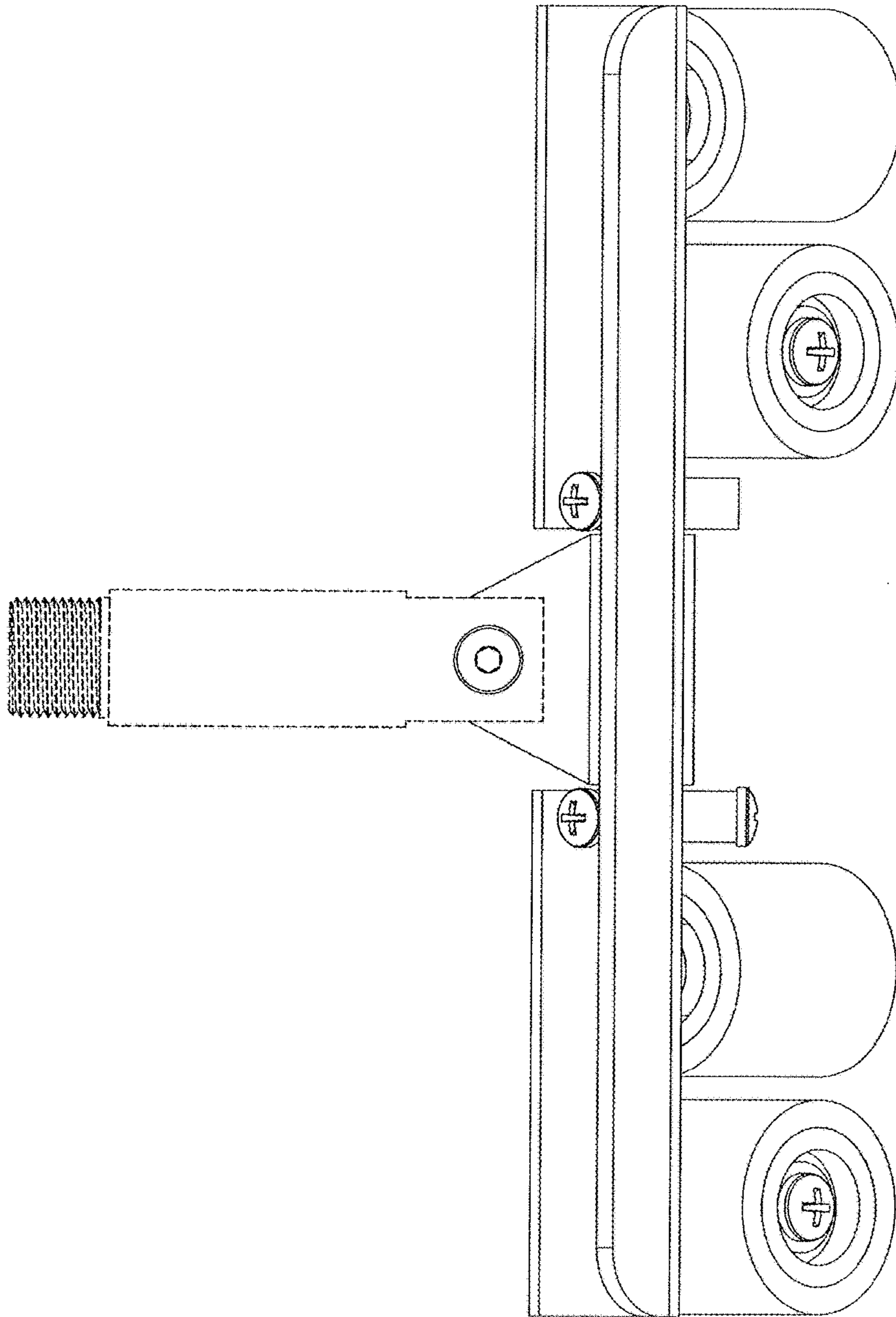


FIG. 4



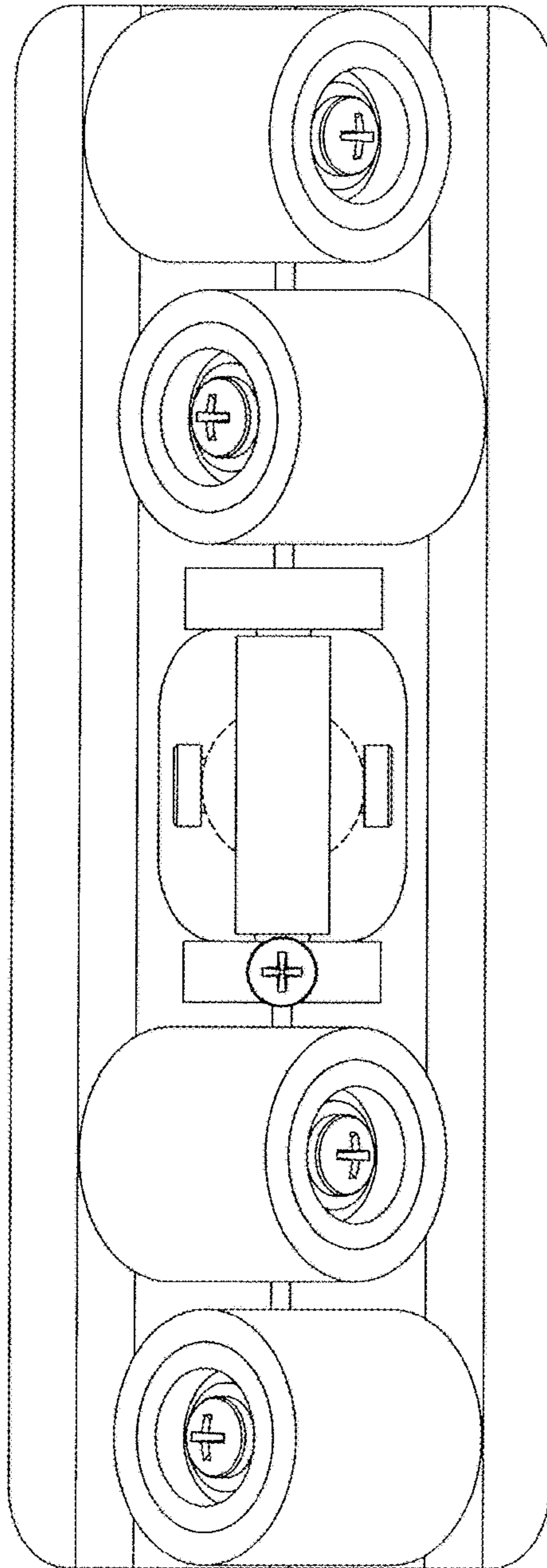


FIG. 5

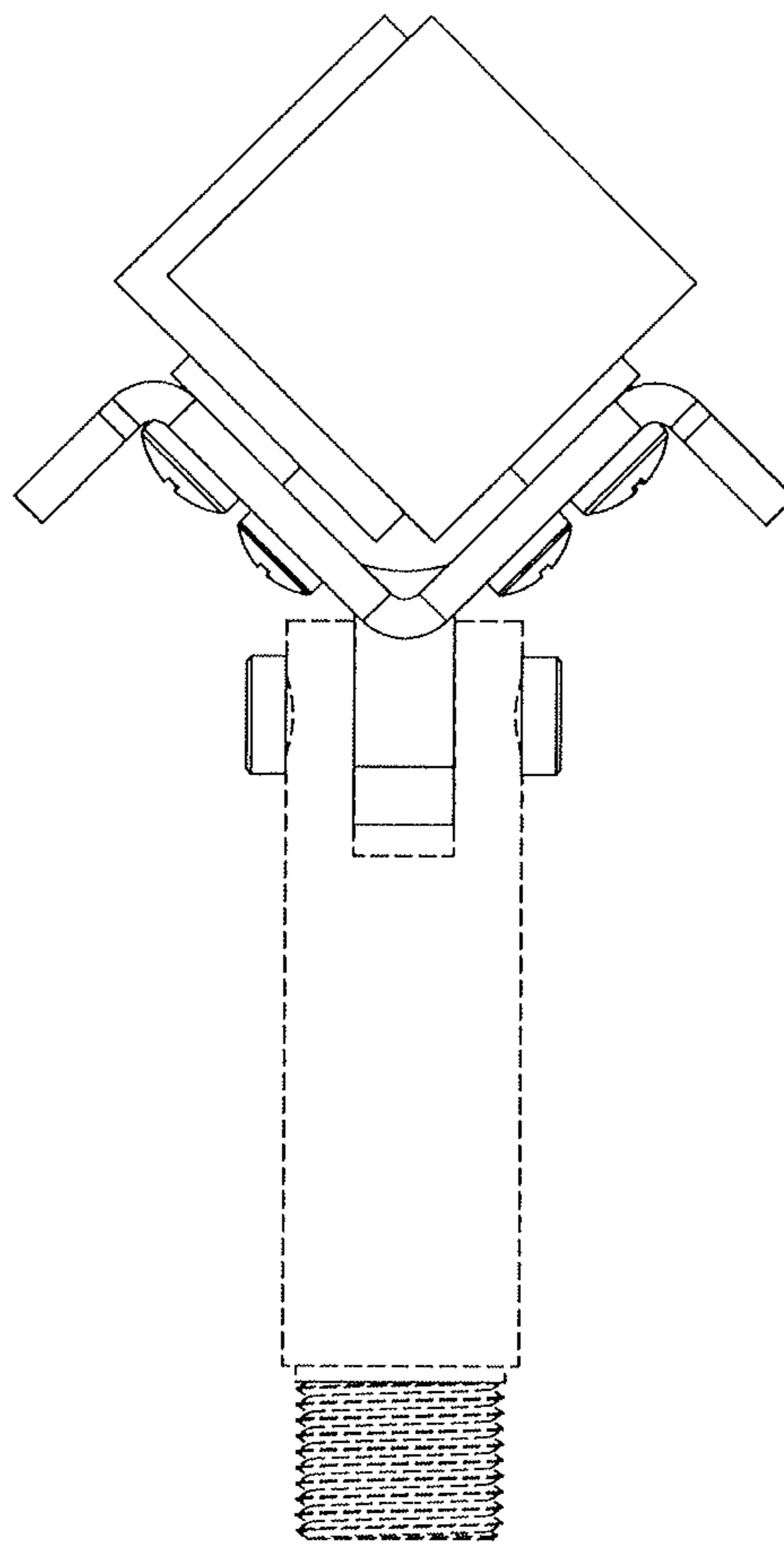


FIG. 6