



US00D859844S

(12) **United States Design Patent**
Dericco

(10) **Patent No.:** **US D859,844 S**

(45) **Date of Patent:** **** Sep. 17, 2019**

(54) **TOOTHBRUSH**

(71) Applicant: **Salvatore P. Dericco**, W. Harrison, NY
(US)

(72) Inventor: **Salvatore P. Dericco**, W. Harrison, NY
(US)

(**) Term: **15 Years**

(21) Appl. No.: **29/629,627**

(22) Filed: **Dec. 14, 2017**

(51) **LOC (12) Cl.** **04-02**

(52) **U.S. Cl.**
USPC **D4/108**

(58) **Field of Classification Search**

USPC D4/100, 101, 102, 104, 105, 106, 107,
D4/108, 109, 110, 111, 112, 113, 114,
D4/115, 116, 119, 120, 121, 124, 125,
D4/130, 132, 134, 138, 199; D24/111
CPC A46B 2200/1066; A46B 2200/1073; A46B
2200/1086; A46B 5/02; A46B 9/04; A46B
5/002; A46B 5/0083

See application file for complete search history.

(56) **References Cited**

U.S. PATENT DOCUMENTS

1,657,450 A * 1/1928 Barnes A46B 9/04
132/308
1,735,582 A * 11/1929 Meadoff A46B 7/04
15/167.1
1,942,931 A * 1/1934 McWhirter A46B 5/0095
15/176.3
3,146,478 A * 9/1964 Rosenthal A46B 5/0012
15/110
3,343,551 A * 9/1967 Anderson A45D 40/28
132/218
3,720,975 A * 3/1973 Nelson A46B 5/04
15/106
3,731,336 A * 5/1973 Rubin A46B 9/04
15/167.1

4,542,552 A * 9/1985 d'Argembeau A46B 5/02
15/167.1
4,630,326 A * 12/1986 Stevens A61C 17/38
15/22.1
4,679,273 A * 7/1987 Okin A46B 9/04
15/110
4,752,984 A * 6/1988 Moharram A46B 9/04
15/143.1
D310,139 S * 8/1990 Moharram D4/104
D406,193 S * 3/1999 Steinmann D24/146
9,370,239 B2 * 6/2016 De Ricco A46B 5/0016

(Continued)

FOREIGN PATENT DOCUMENTS

CN 202445424 U * 9/2012
GB 4020888 * 8/2011
IL 45022 * 11/2009

OTHER PUBLICATIONS

Picture of girl using tongue scraper [on-line]. Published as early as Nov. 12, 2011; retrieved from the Internet Apr. 26, 2019. URL: <<https://web.archive.org/web/20111112022927/http://www.tlevitdds.com/oralhealth.html>>. (4 pages) (Year: 2011).*

Primary Examiner — Karen E Eldridge Powers

(74) *Attorney, Agent, or Firm* — Maier & Maier, PLLC

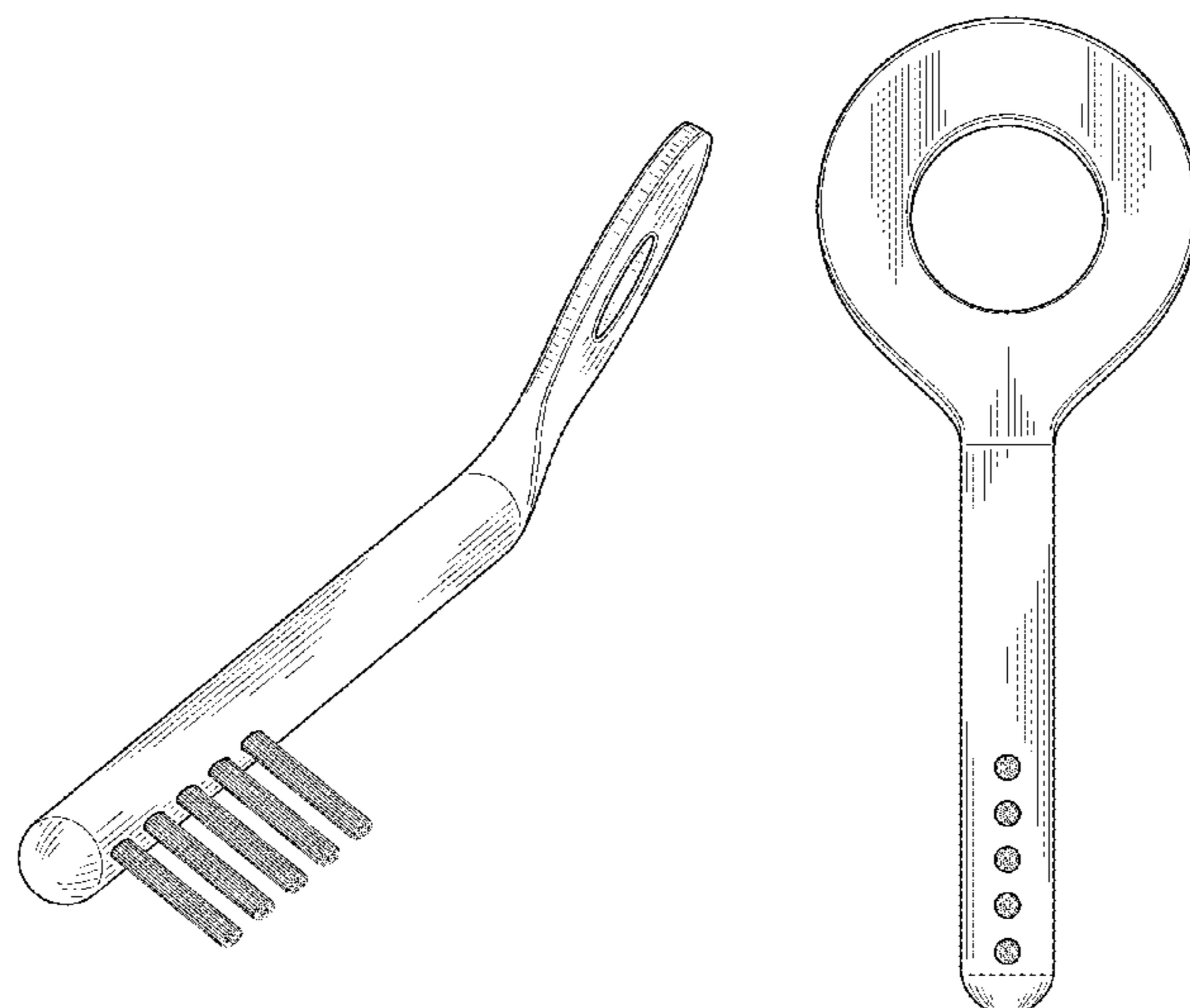
(57) **CLAIM**

The ornamental design for a toothbrush, as shown and described.

DESCRIPTION

FIG. 1 is a front perspective view of a toothbrush;
FIG. 2 is a left elevation view thereof;
FIG. 3 is a right elevation view thereof;
FIG. 4 is a front elevation view thereof;
FIG. 5 is a rear elevation view thereof;
FIG. 6 is a top plan view thereof; and,
FIG. 7 is a bottom plan view thereof.

1 Claim, 6 Drawing Sheets



(56)

References Cited

U.S. PATENT DOCUMENTS

D795,591	S *	8/2017	DeRicco	D4/104
D812,378	S *	3/2018	DeRicco	D4/110
10,159,387	B2 *	12/2018	Tsao	C01B 13/11
10,245,121	B2 *	4/2019	Dericco	A61C 3/005
2004/0178097	A1 *	9/2004	Manchio	A46B 5/00
					206/361
2016/0262529	A1 *	9/2016	DeRicco	A46B 5/0016
2018/0049844	A1 *	2/2018	DeRicco	A61C 3/005

* cited by examiner

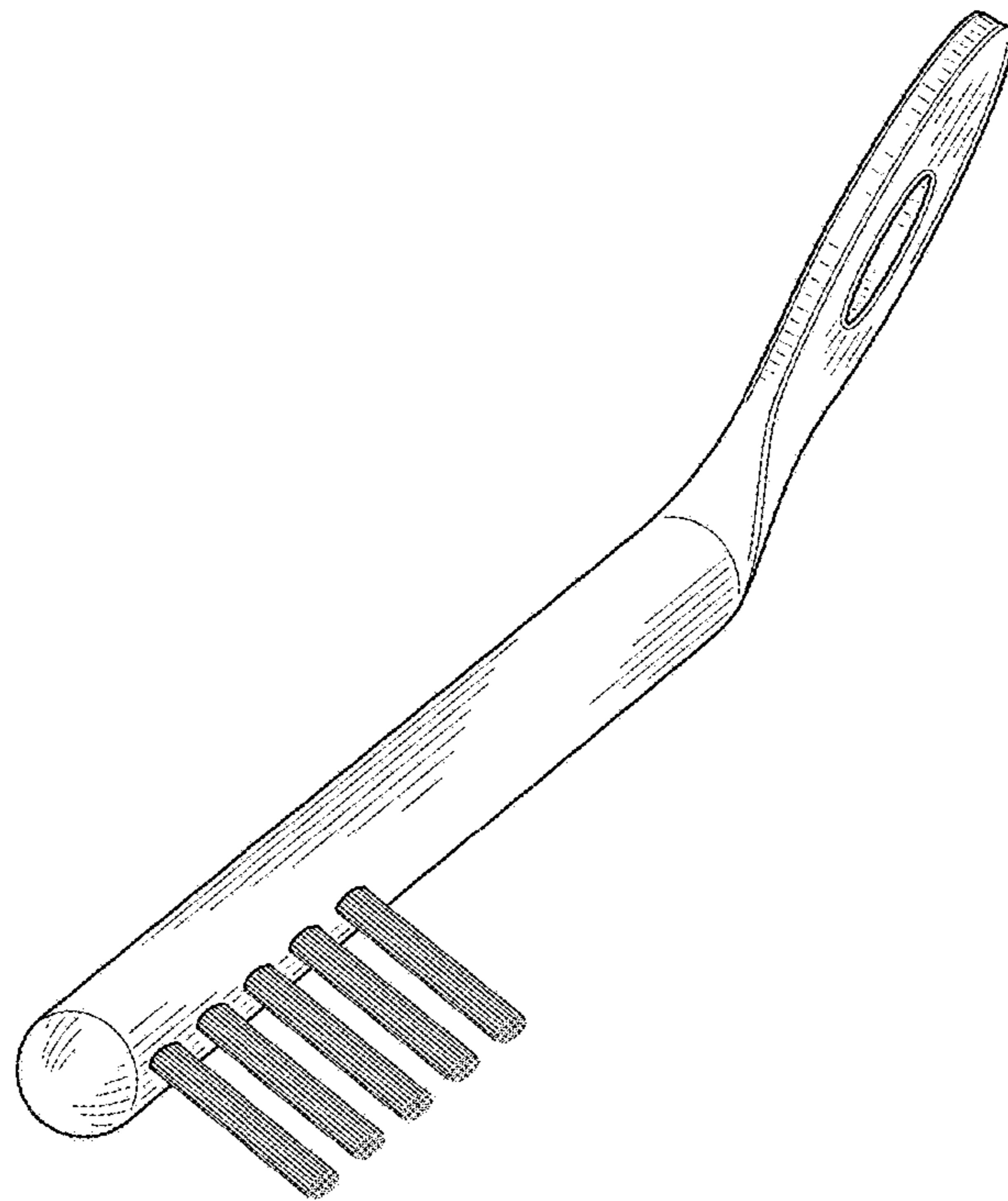


FIG. 1

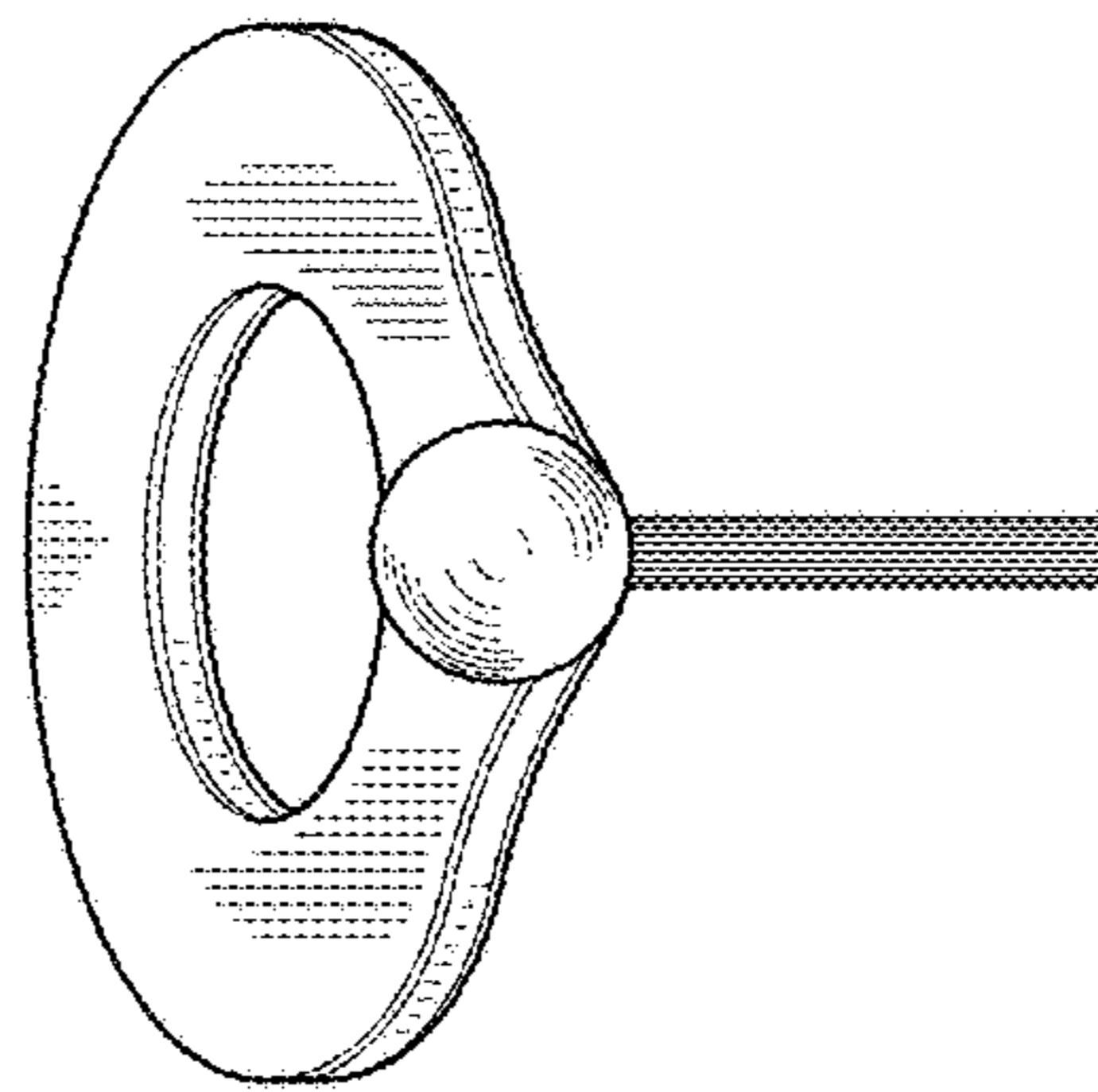


FIG. 2

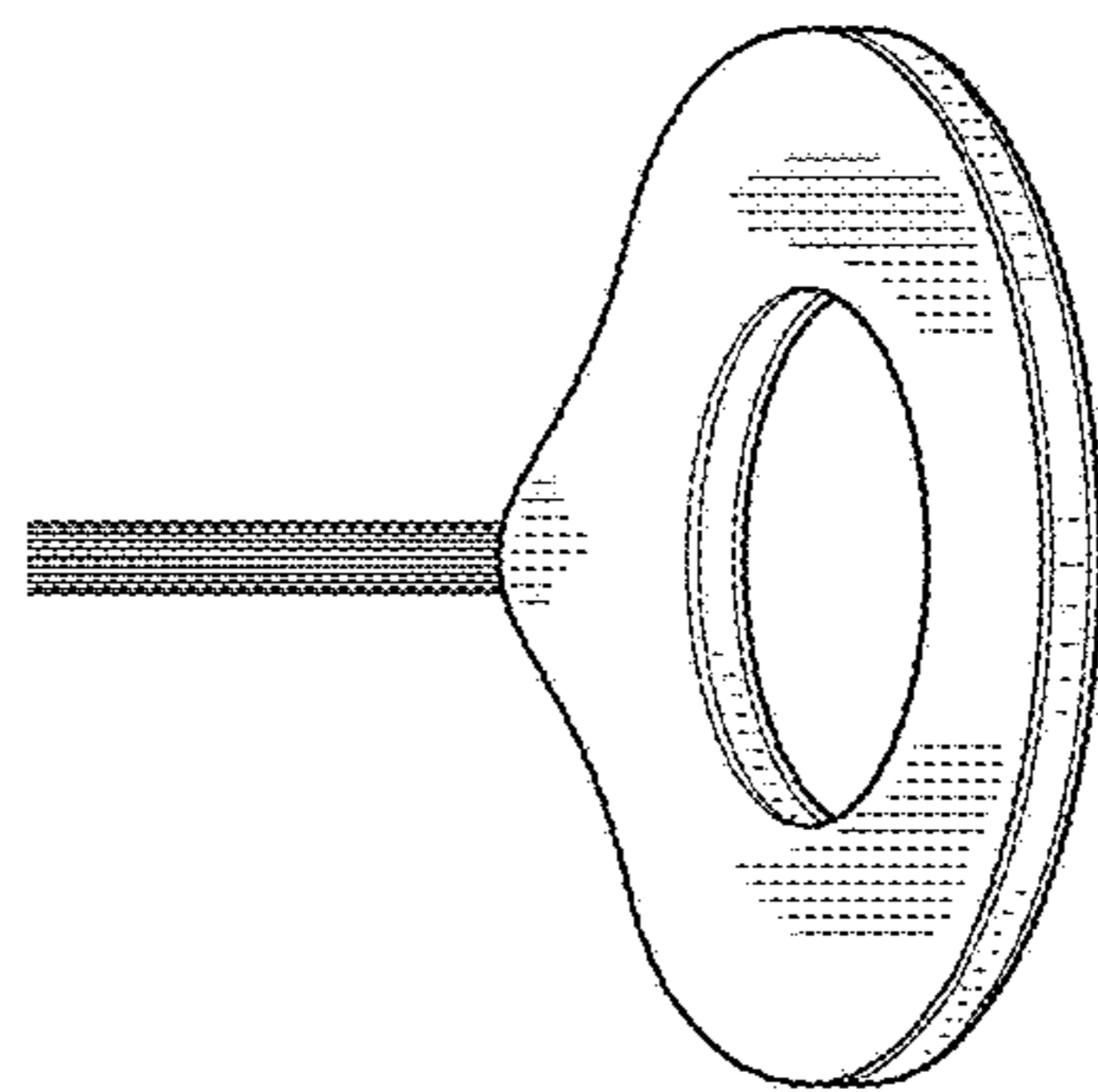


FIG. 3

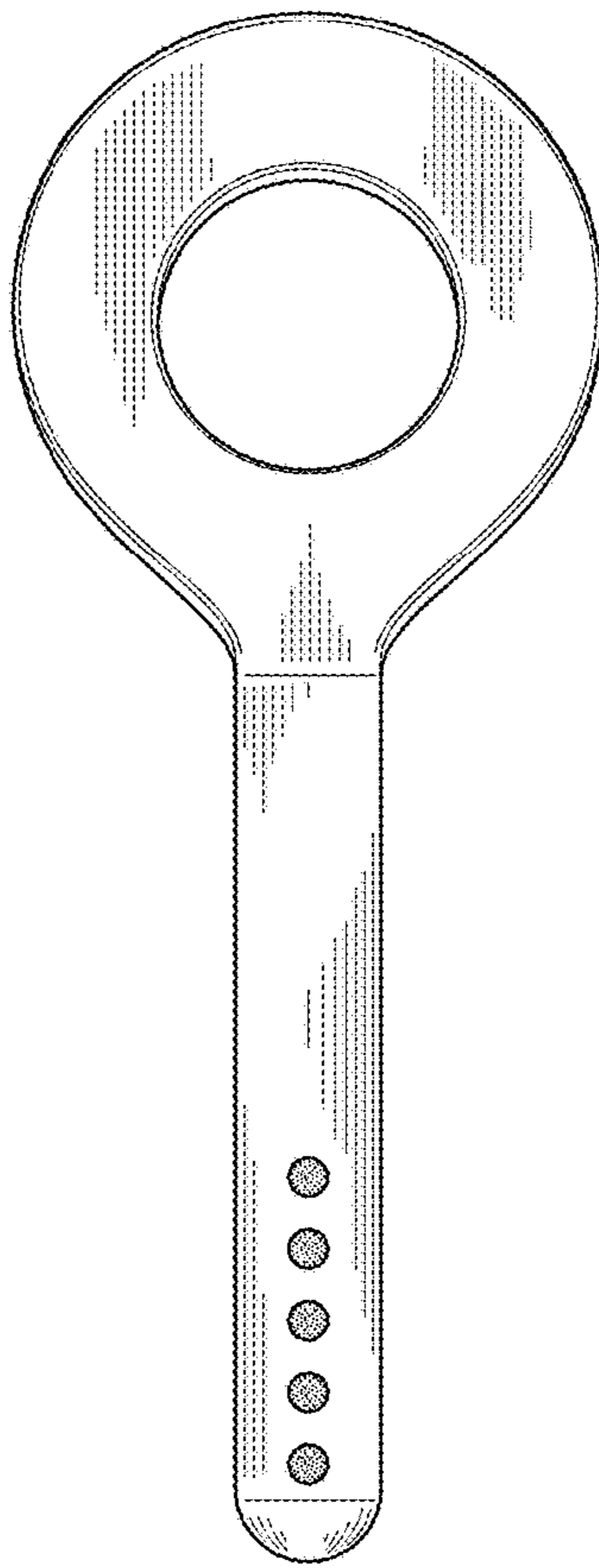


FIG. 4

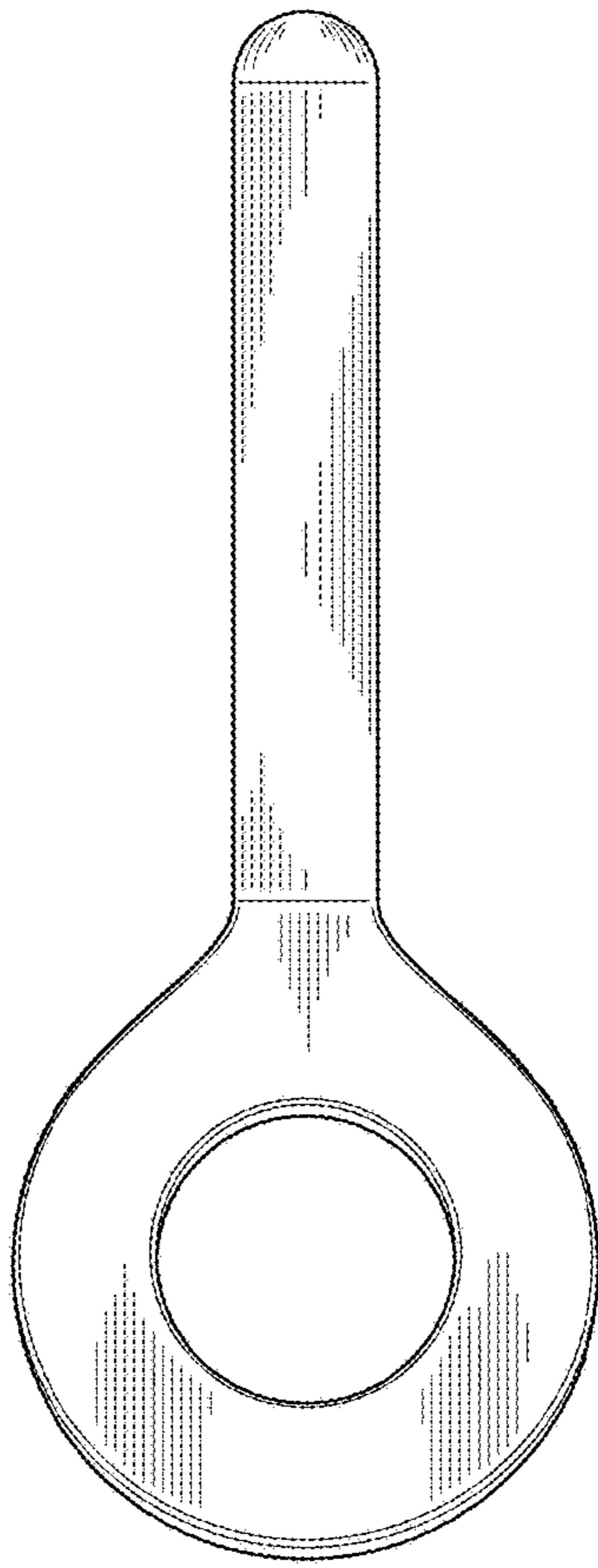


FIG. 5

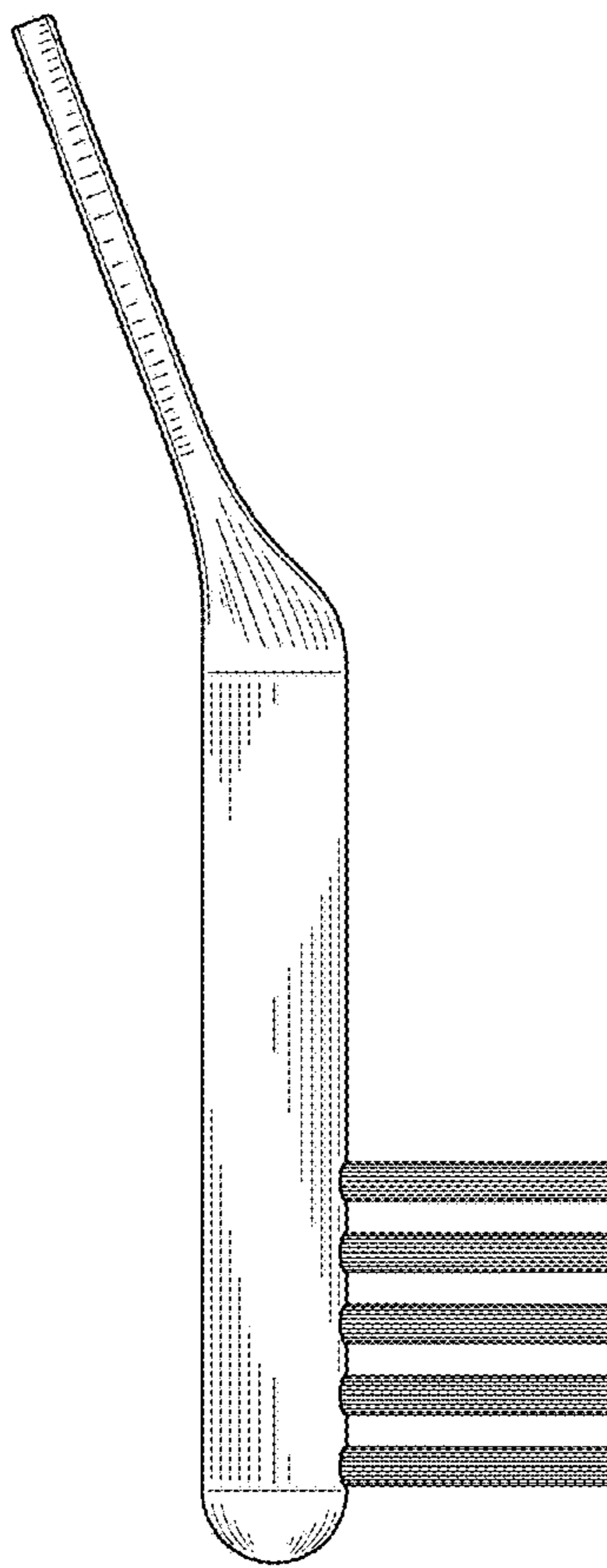


FIG. 6

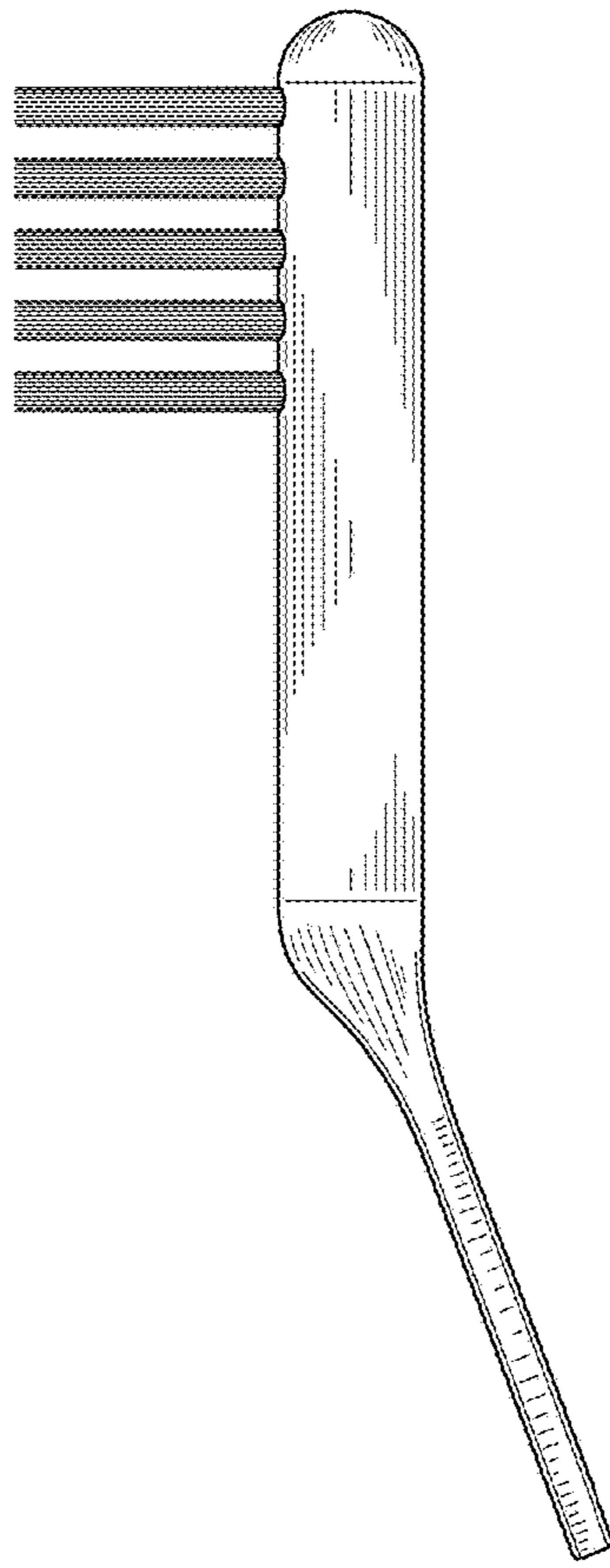


FIG. 7