



US00D859842S

(12) **United States Design Patent** (10) **Patent No.:** **US D859,842 S**
Frank (45) **Date of Patent:** **** Sep. 17, 2019**

(54) **CLUTCH STRAP FOR SECURING SMALL ITEMS**
(71) Applicant: **Kristina D. Frank**, Marietta, GA (US)
(72) Inventor: **Kristina D. Frank**, Marietta, GA (US)
(**) Term: **15 Years**
(21) Appl. No.: **29/642,248**
(22) Filed: **Mar. 28, 2018**
(51) **LOC (12) Cl.** **03-01**
(52) **U.S. Cl.**
USPC **D3/327**; D3/318
(58) **Field of Classification Search**
USPC D3/232–233, 240–243, 245–246, 318,
D3/327
CPC A45C 3/00; A45C 3/02; A45C 3/04; A45C
3/10; A45C 9/00; A45C 13/08; A45C
13/30; A45C 15/00; A45C 2003/005;
A45C 2003/007–008; A45C 13/22
See application file for complete search history.

(56) **References Cited**
U.S. PATENT DOCUMENTS
D386,125 S * 11/1997 Anscher D11/200
D386,310 S * 11/1997 Smith D3/327
D420,514 S * 2/2000 Morlet D3/327
6,390,345 B1 * 5/2002 Brown A45C 3/00
190/110
6,594,370 B1 7/2003 Anderson
(Continued)

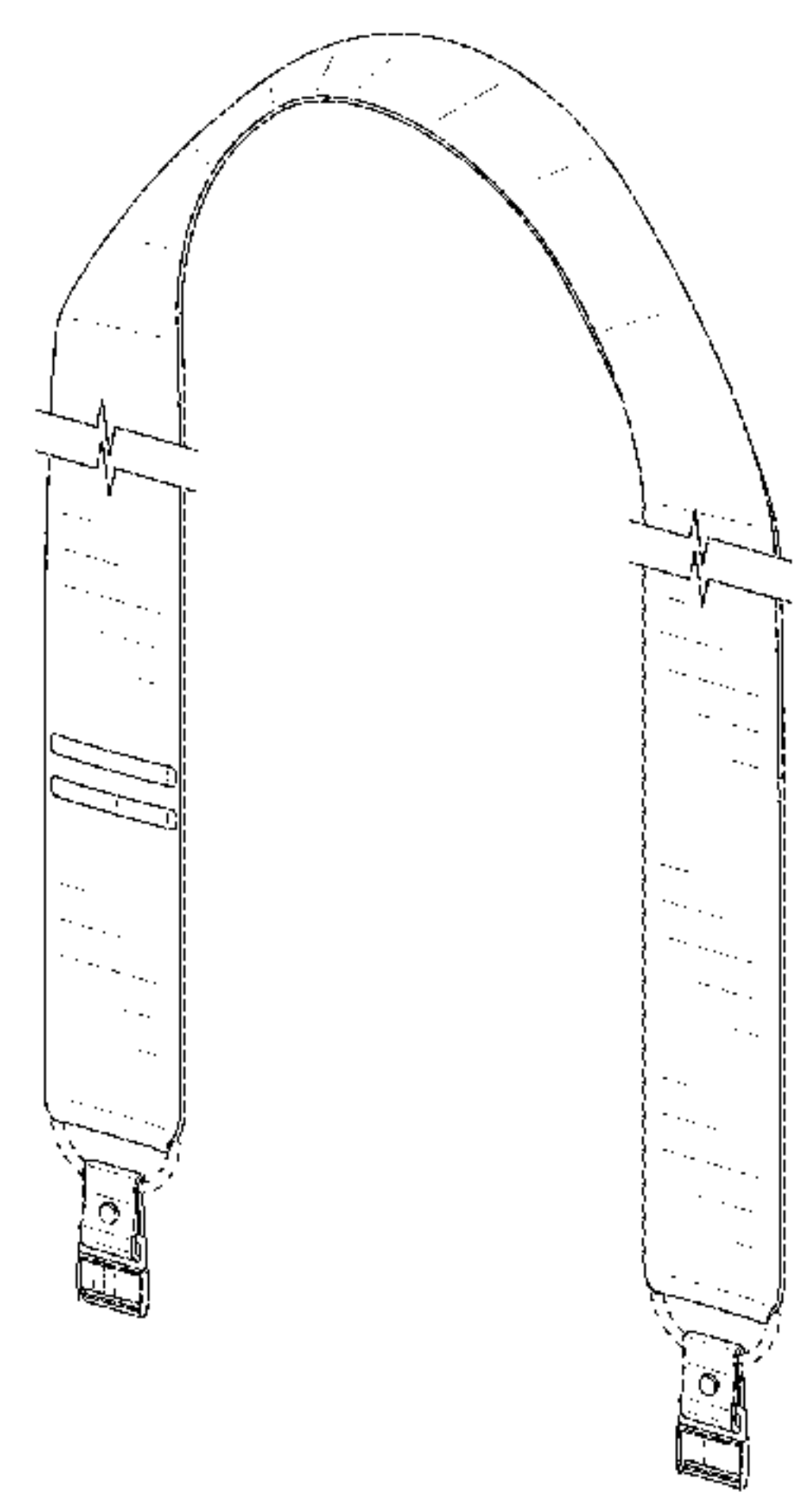
OTHER PUBLICATIONS
<http://coolmomtech.com/2014/06/bandolier-iphone-case/>.
(Continued)

Primary Examiner — Holly H Baynham
(74) Attorney, Agent, or Firm — Notio Law Group, LLC

(57) **CLAIM**
An ornamental design for a clutch strap for securing small items, as shown and described.

DESCRIPTION
FIG. 1 illustrates a front perspective view of a first embodiment of a clutch strap for securing small items. The strap includes two loop holders for holding small objects, e.g., sunglasses and the like.
FIG. 2 illustrates a front view of the first embodiment of a clutch strap for securing small items.
FIG. 3 illustrates a back view of a clutch strap for securing small items. The back of the strap includes a slit which provides a pocket for holding small objects, e.g., pens and pencils, inside the strap.
FIG. 4 illustrates a left side view of the first embodiment of a clutch strap for securing small items.
FIG. 5 illustrates a right side view of the first embodiment of a clutch strap for securing small items.
FIG. 6 illustrates a top view of a clutch strap for securing small items.
FIG. 7 illustrates a bottom view of a clutch strap for securing small items.
FIG. 8 is an enlarged perspective view of a fastener used to secure the strap to the item to be held.
FIG. 9 is an enlarged perspective view of a fastener of FIG. 8 in an unlatched position.
FIG. 10 is a perspective view of the strap of FIG. 3 attached to a small item, i.e., a cell phone; and,
FIG. 11 is a perspective view of the strap of FIG. 3 attached to a small item, i.e., a cell phone, illustrating one fastener that is latched and one fastener that is unlatched.
Broken lines representing the attached device are included for the purpose of illustrating environment and form no part of the claimed invention.
The broken away symbols in the drawings indicate that any portion of the article beyond what is shown forms no part of the claimed design.
The fastening elements are shown detached and enlarged for ease and clarity of illustration.

1 Claim, 11 Drawing Sheets



(56)

References Cited

U.S. PATENT DOCUMENTS

6,728,556 B1 4/2004 Whitley
6,954,659 B2 10/2005 Tushinsky et al.
7,236,751 B2 6/2007 Ono
D609,011 S * 2/2010 Cucuzza A45F 5/12
D3/327
D617,561 S * 6/2010 Salerno-Tortora D3/318
D623,861 S * 9/2010 Kope G03B 17/566
D3/327
8,060,031 B2 11/2011 Henderson
D691,809 S * 10/2013 Palevac D3/327
D732,295 S * 6/2015 Aafjes D3/318
D793,089 S * 8/2017 Jackson D3/327
D815,433 S * 4/2018 Gerbelle D3/246
D836,334 S * 12/2018 Chung A45C 3/06
D3/243
D841,985 S * 3/2019 Venturini Fendi D3/327

OTHER PUBLICATIONS

<http://store.shopping.yahoo.co.jp/iplus/15-ms-4bk.html>.
<http://www.strapya-world.com/products/39944.html>.
http://www.staples.com/EK-Guardian-Retention-Case-and-Card-Holder-For-iPhone-5-5S-Black/product_1188453.
<http://newatlas.com/clipless-smartphone-mount/27843/>.
<http://www.gearkeeper.com/communication/cellphones.html>.
<http://atmac.org/lanyard-strap-iphone-ipod-touch>.

* cited by examiner

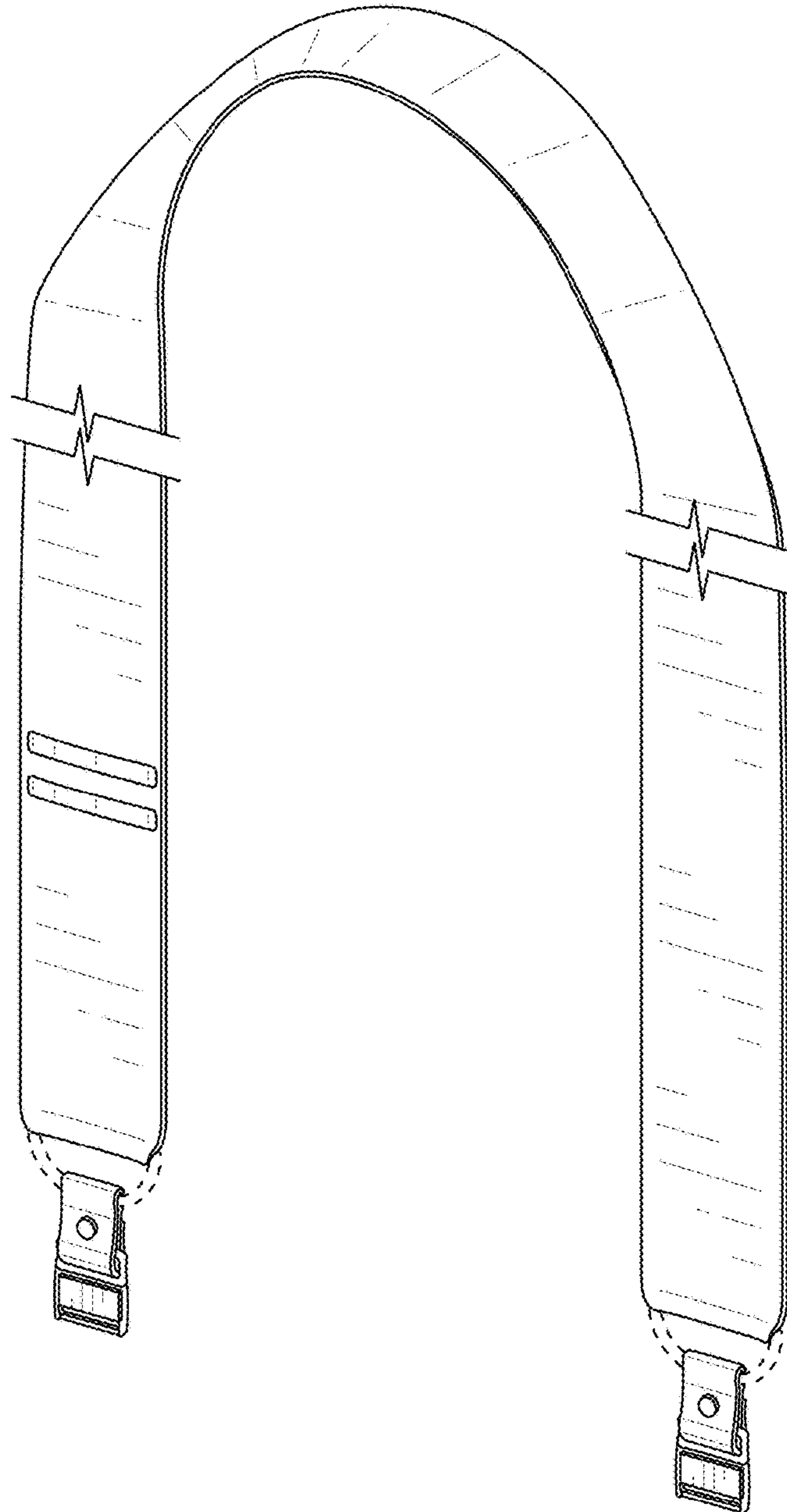


FIG. 1

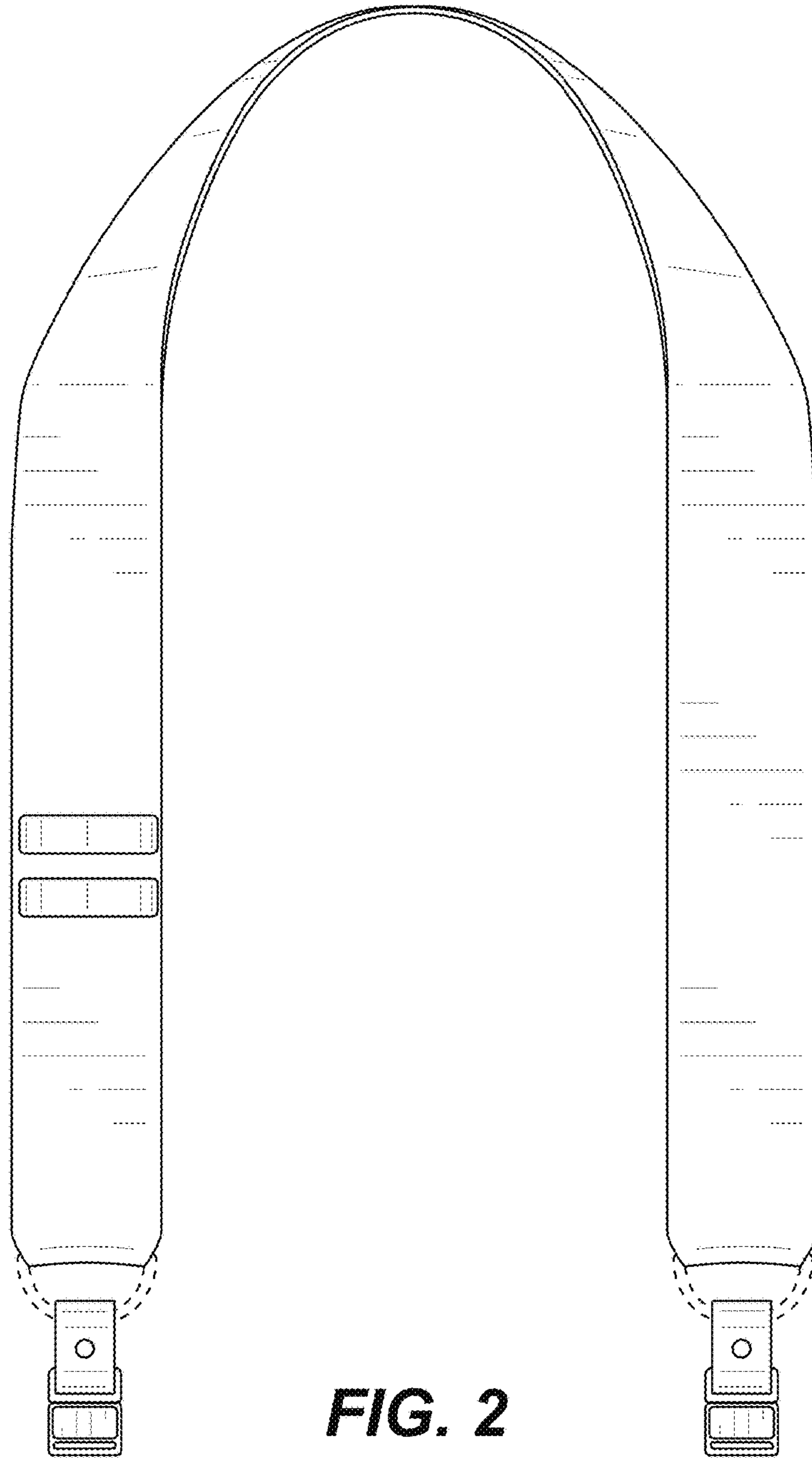


FIG. 2

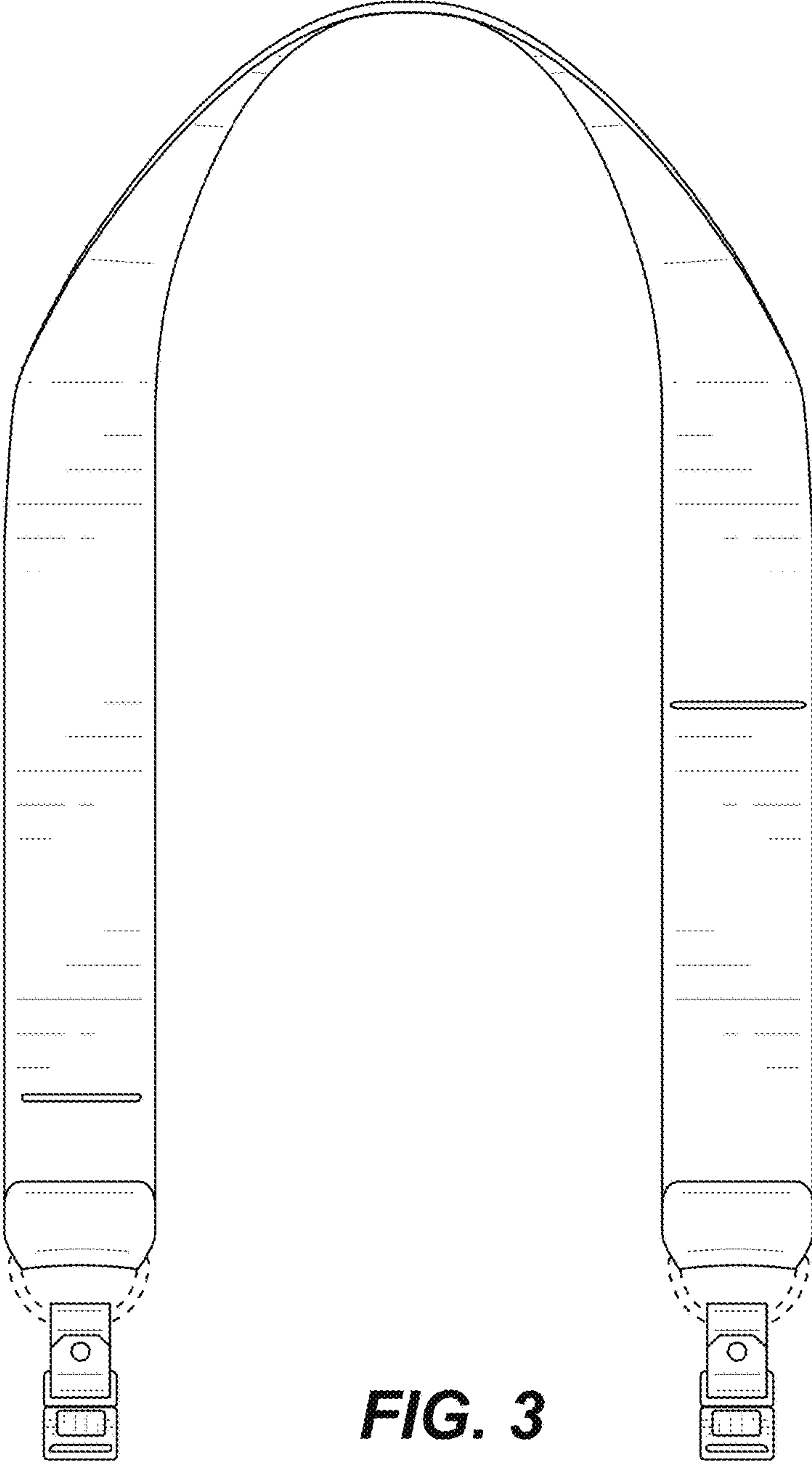


FIG. 3

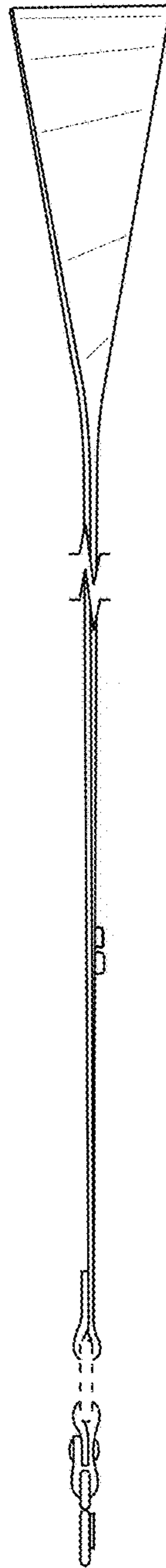


FIG. 4

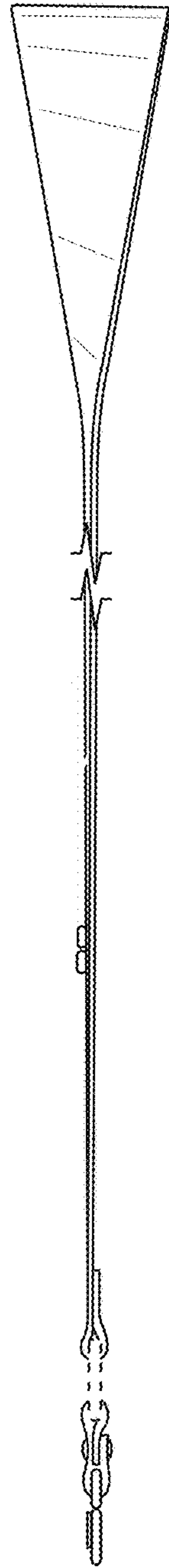


FIG. 5

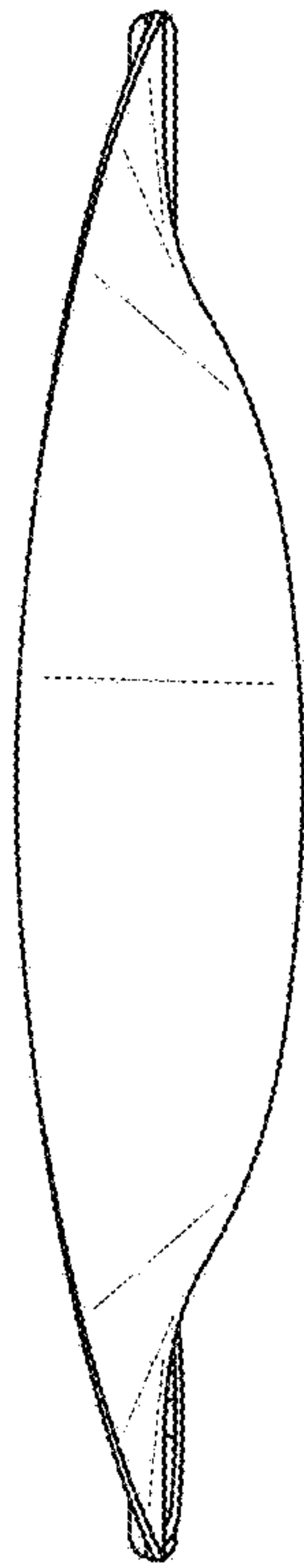


FIG. 6

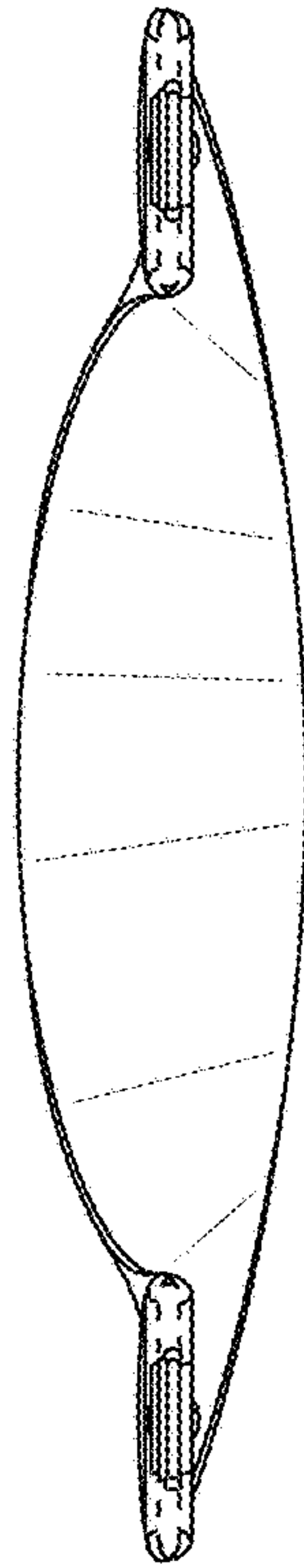


FIG. 7

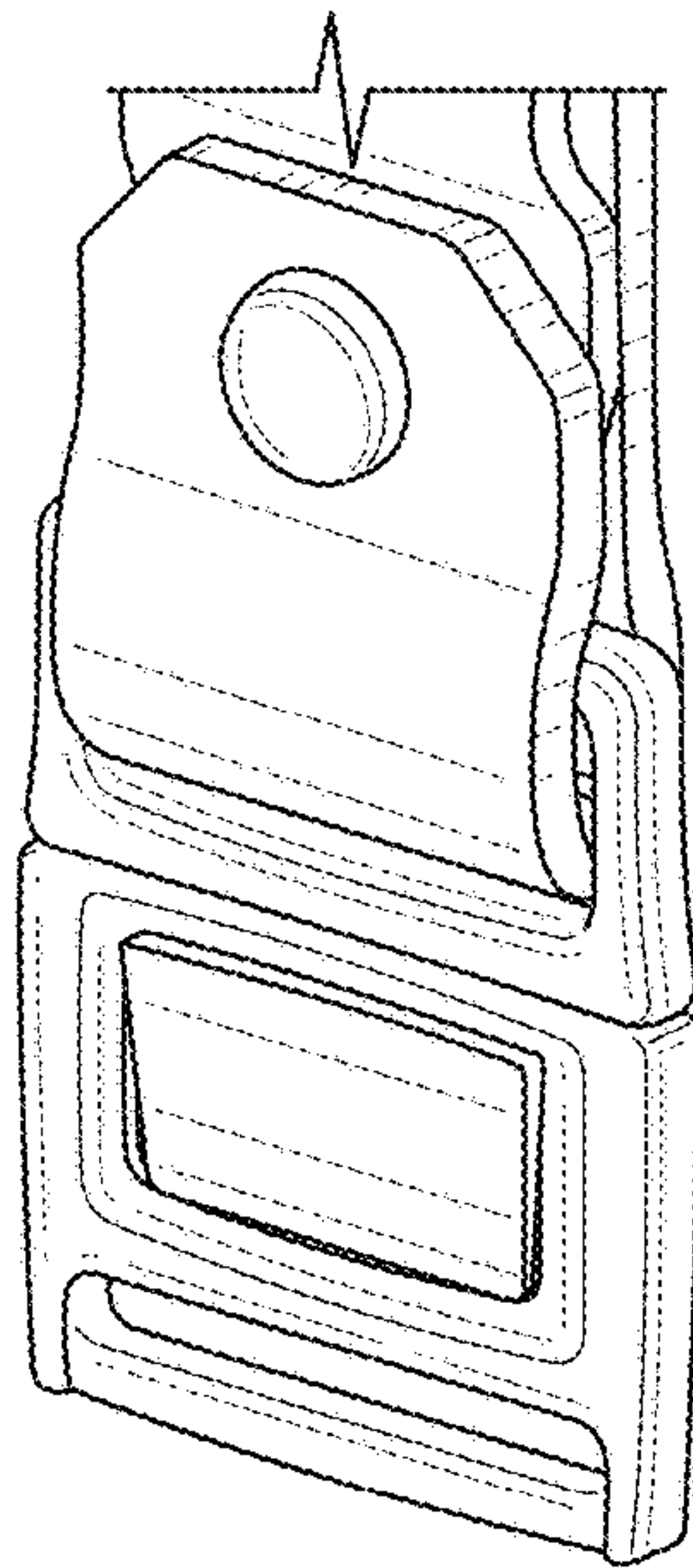


FIG. 8

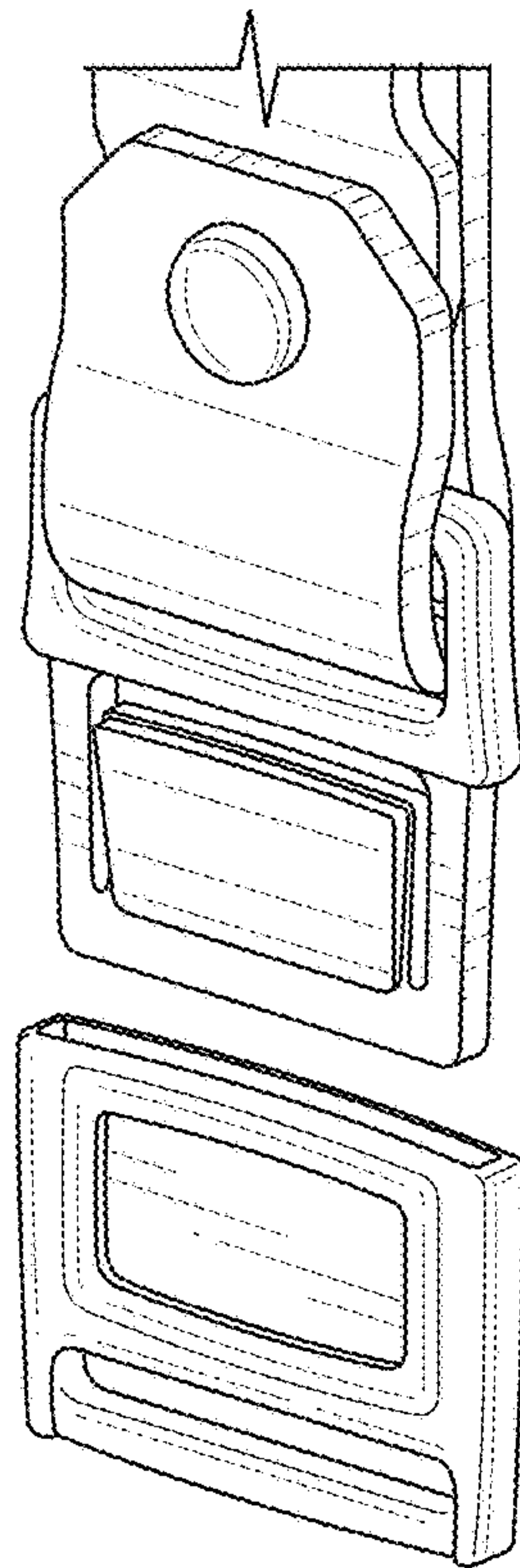


FIG. 9

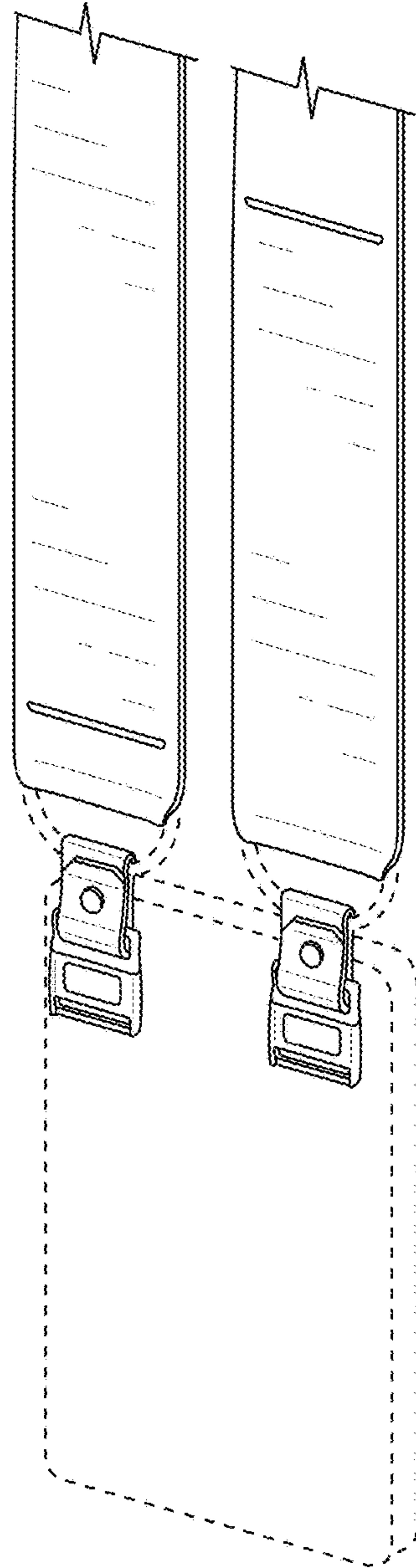


FIG. 10

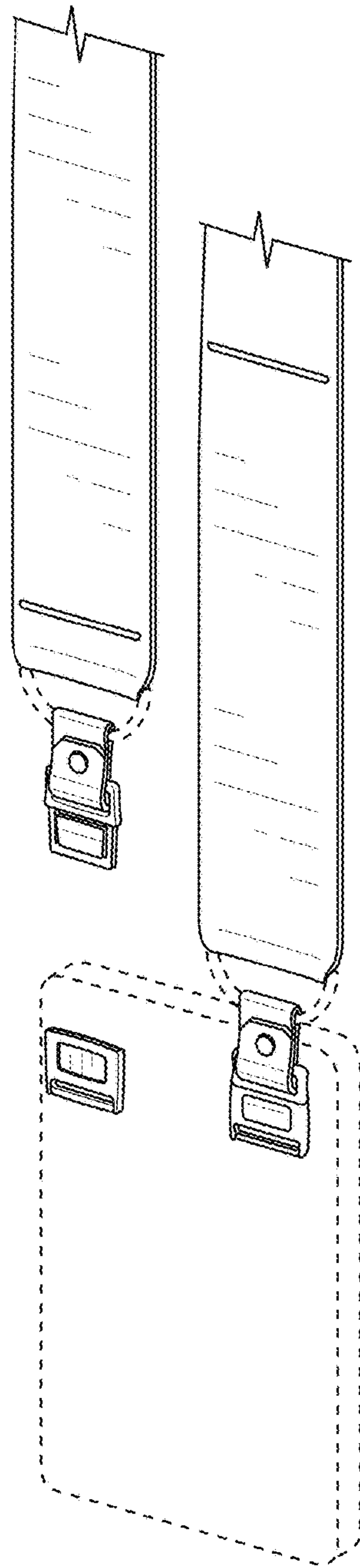


FIG. 11