



US00D859840S

(12) **United States Design Patent**
Rubio et al.

(10) **Patent No.:** **US D859,840 S**

(45) **Date of Patent:** **** Sep. 17, 2019**

(54) **LUGGAGE BASE REINFORCEMENT**

D666,324 S * 8/2012 Morton D25/119
D805,779 S * 12/2017 Oh D3/318
10,194,722 B2 * 2/2019 Salander A45C 5/03

(71) Applicant: **JRSK, Inc.**, New York, NY (US)

* cited by examiner

(72) Inventors: **Jennifer Rubio**, New York, NY (US);
Stephanie Korey, New York, NY (US);
Sam Naparstek, New York, NY (US);
Wayne Podell, New York, NY (US)

Primary Examiner — Holly H Baynham

(74) *Attorney, Agent, or Firm* — Proskauer Rose LLP

(73) Assignee: **JRSK, Inc.**, New York, NY (US)

(57) **CLAIM**

The ornamental design for a luggage base reinforcement, as shown and described.

(**) Term: **15 Years**

DESCRIPTION

(21) Appl. No.: **29/641,038**

FIG. 1 shows a perspective view of a design of a luggage base reinforcement.

(22) Filed: **Mar. 19, 2018**

FIG. 2 shows a front view of the design.

(51) **LOC (12) Cl.** **03-01**

FIG. 3 shows a rear view of the design.

(52) **U.S. Cl.**

FIG. 4 shows a right side view of the design.

USPC **D3/318**

FIG. 5 shows a left side view of the design.

(58) **Field of Classification Search**

FIG. 6 shows a top view of the design; and,

USPC D3/318; D25/119, 122

FIG. 7 shows a bottom view of the design.

CPC A45C 1/024; A45C 3/06

See application file for complete search history.

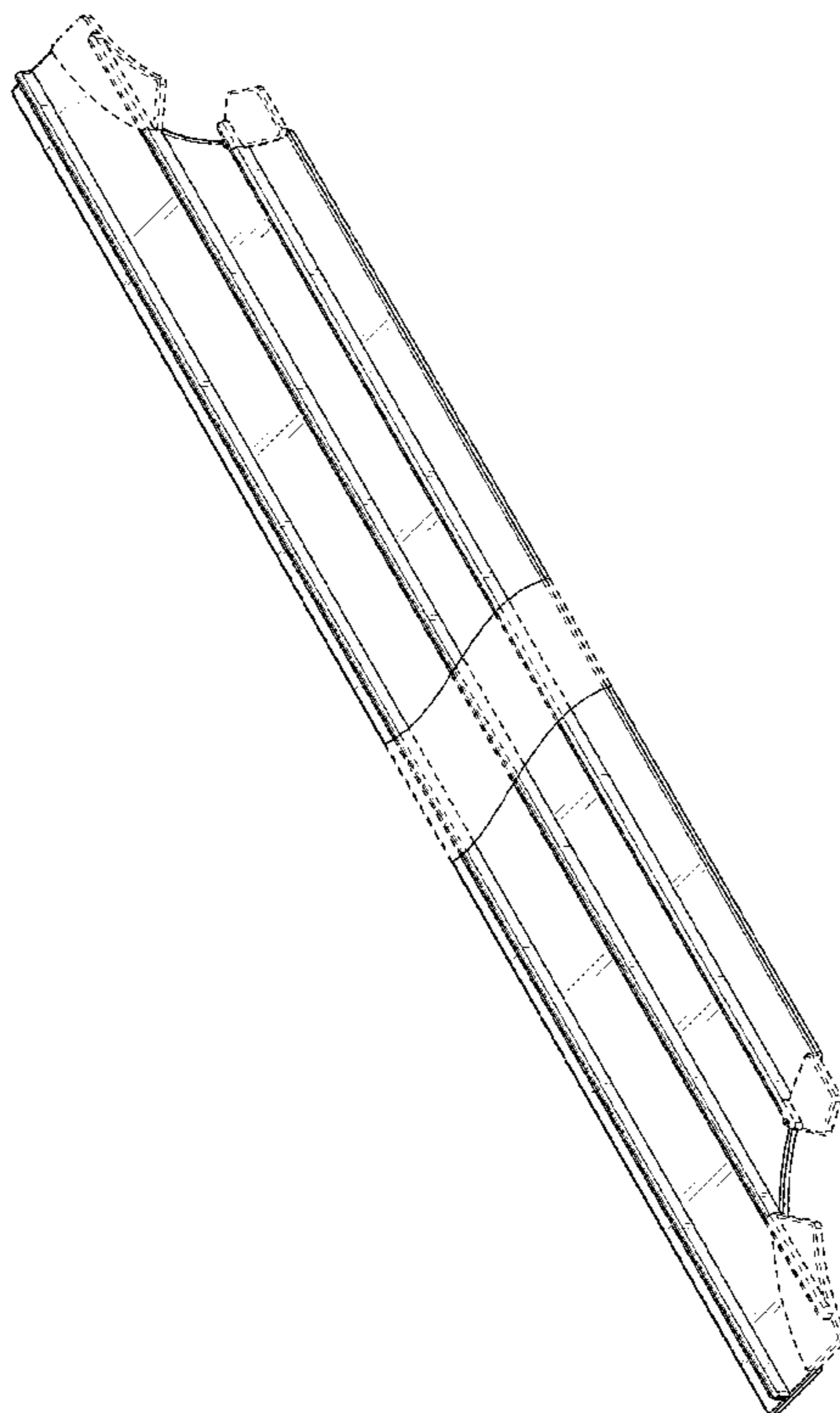
The luggage base reinforcement is shown with a symbolic break in its length. The appearance of any portion of the article between the break lines represents unclaimed and portions forms no part of the claimed design. Other broken lines shown in the drawings, such as the tabs on the ends, represent unclaimed portions of the luggage base reinforcement and form no part of the claimed design.

(56) **References Cited**

U.S. PATENT DOCUMENTS

D463,043 S * 9/2002 Edger D25/119
D666,323 S * 8/2012 Morton D25/119

1 Claim, 4 Drawing Sheets



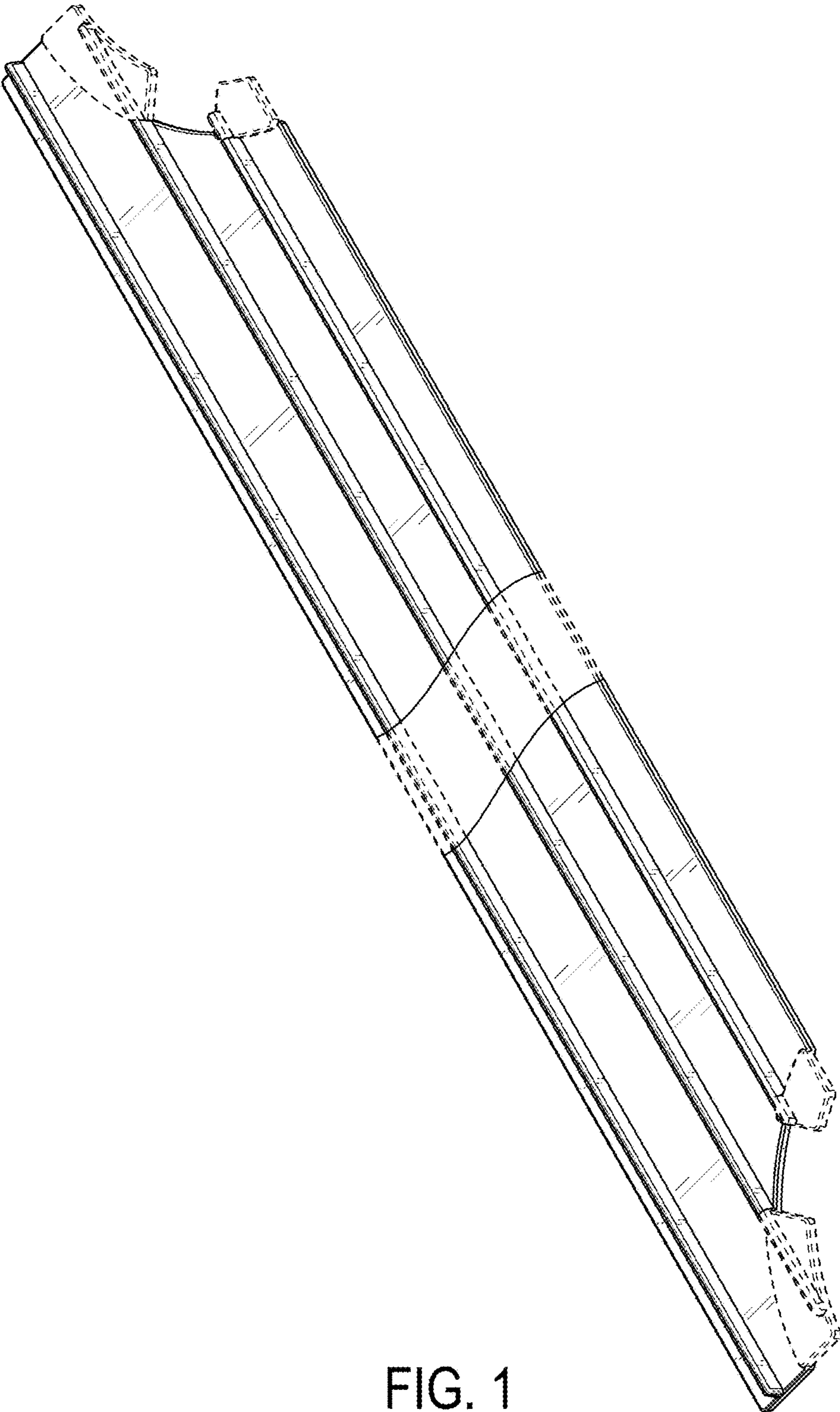


FIG. 1

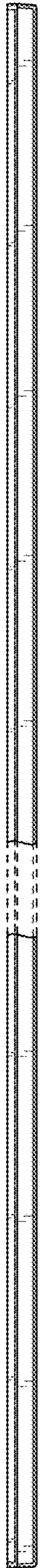


FIG. 2

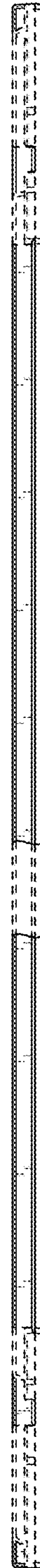


FIG. 3

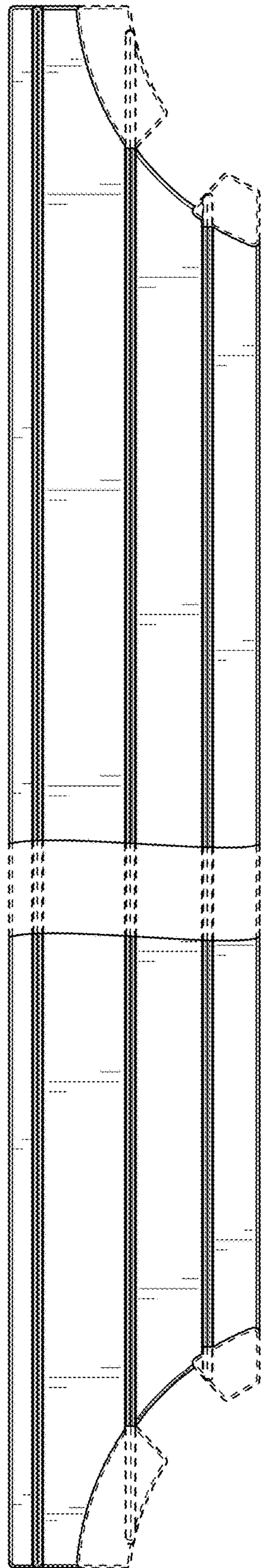


FIG. 4

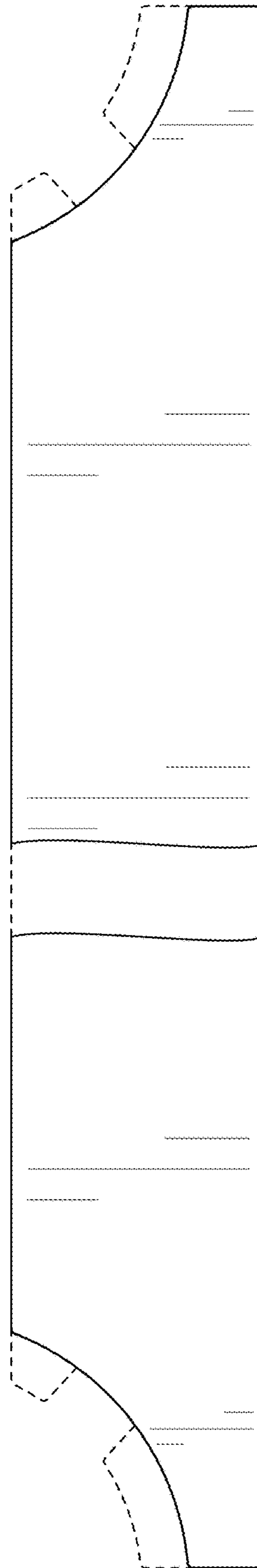


FIG. 5

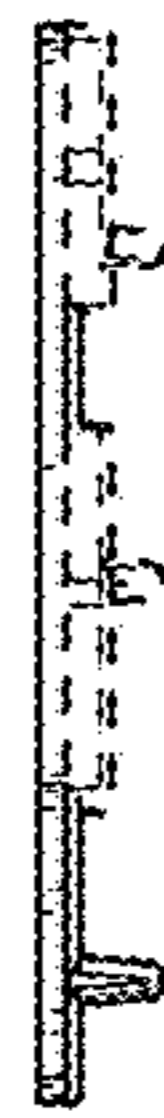


FIG. 6

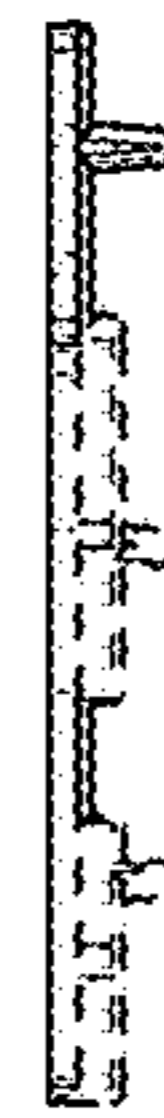


FIG. 7