



US00D859838S

(12) **United States Design Patent**  
**Blackrock**

(10) **Patent No.:** **US D859,838 S**

(45) **Date of Patent:** **\*\* Sep. 17, 2019**

(54) **WALLET**

(71) Applicant: **Bearcreek Imports, LLC**, Austin, TX (US)

(72) Inventor: **John Blackrock**, Dallas, TX (US)

(73) Assignee: **Bearcreek Imports, LLC**, Austin, TX (US)

(\*\*) Term: **15 Years**

(21) Appl. No.: **29/636,139**

(22) Filed: **Feb. 6, 2018**

(51) **LOC (12) Cl.** ..... **03-01**

(52) **U.S. Cl.**  
USPC ..... **D3/318**

(58) **Field of Classification Search**  
USPC ..... D3/247, 249-253, 318  
CPC ..... A45C 1/06; A45C 3/08  
See application file for complete search history.

(56) **References Cited**

U.S. PATENT DOCUMENTS

D106,615 S *	10/1937	Wege	.....	D3/250
2,611,410 A *	9/1952	Smallman	.....	A45C 1/06
				150/145
D372,359 S *	8/1996	Tytula	.....	D3/250
D410,774 S *	6/1999	Inbert	.....	D3/247
D443,414 S *	6/2001	Schimmel	.....	D3/250
D446,648 S *	8/2001	Protheroe	.....	D3/247
D446,933 S *	8/2001	Protheroe	.....	D3/247
D446,934 S *	8/2001	Protheroe	.....	D3/247
D447,338 S *	9/2001	Protheroe	.....	D3/247
D447,868 S *	9/2001	Protheroe	.....	D3/247
D543,359 S *	5/2007	Suppangig	.....	D3/247
D647,697 S *	11/2011	Littleton	.....	D3/249
D694,007 S *	11/2013	D'Amore	.....	D3/247

\* cited by examiner

*Primary Examiner* — Holly H Baynham

(74) *Attorney, Agent, or Firm* — Mark Malek; Widerman Malek, PL

(57) **CLAIM**

The ornamental design for a wallet, as shown and described.

**DESCRIPTION**

FIG. 1 is a front perspective view of a wallet according to an embodiment of the present invention.

FIG. 2 is a side elevation view of the wallet illustrated in FIG. 1.

FIG. 3 is another side elevation view of the wallet illustrated in FIG. 1.

FIG. 4 is a top plan view of the wallet illustrated in FIG. 1.

FIG. 5 is a bottom plan view of the wallet illustrated in FIG. 1.

FIG. 6 is a left side plan view of the wallet illustrated in FIG. 1.

FIG. 7 is a left side plan view of the wallet illustrated in FIG. 1.

FIG. 8 is a front perspective view of a wallet according to an embodiment of the present invention.

FIG. 9 is a side elevation view of the wallet illustrated in FIG. 8.

FIG. 10 is another side elevation view of the wallet illustrated in FIG. 8.

FIG. 11 is a top plan view of the wallet illustrated in FIG. 8.

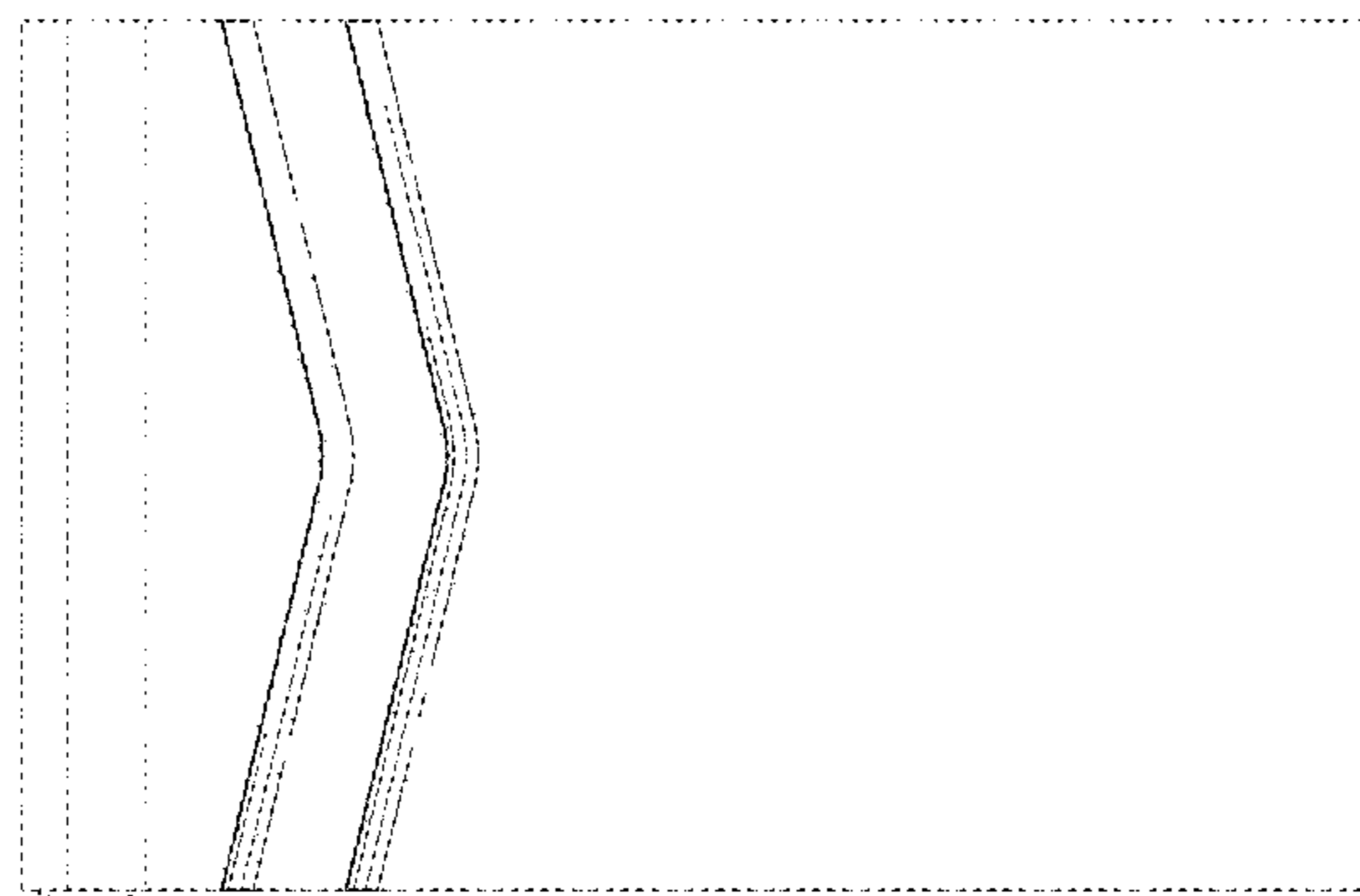
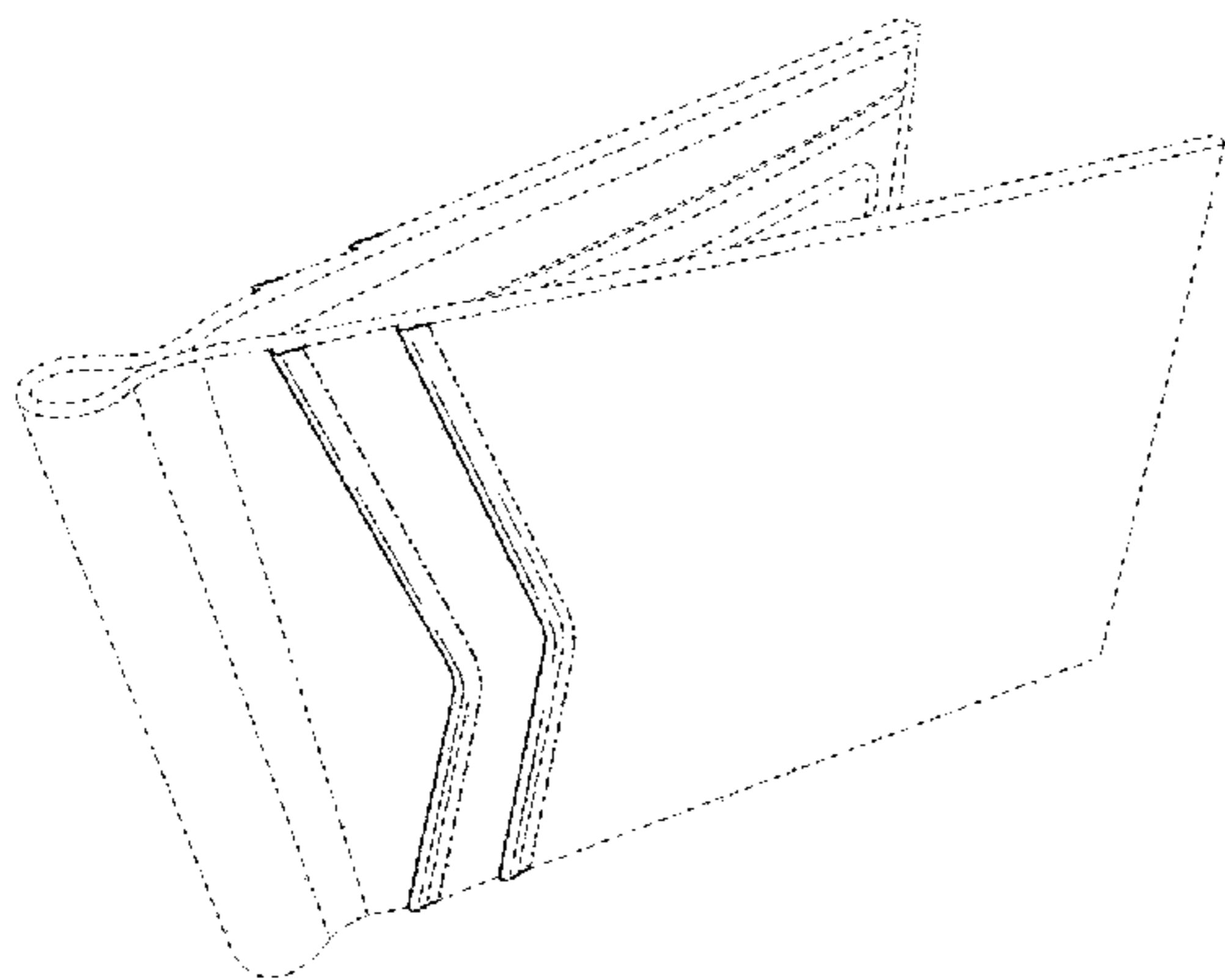
FIG. 12 is a bottom plan view of the wallet illustrated in FIG. 8.

FIG. 13 is a left side plan view of the wallet illustrated in FIG. 8; and,

FIG. 14 is a right side plan view of the wallet illustrated in FIG. 8.

The broken lines depict elements of the wallet that do not form a claimed feature of the present invention.

**1 Claim, 6 Drawing Sheets**



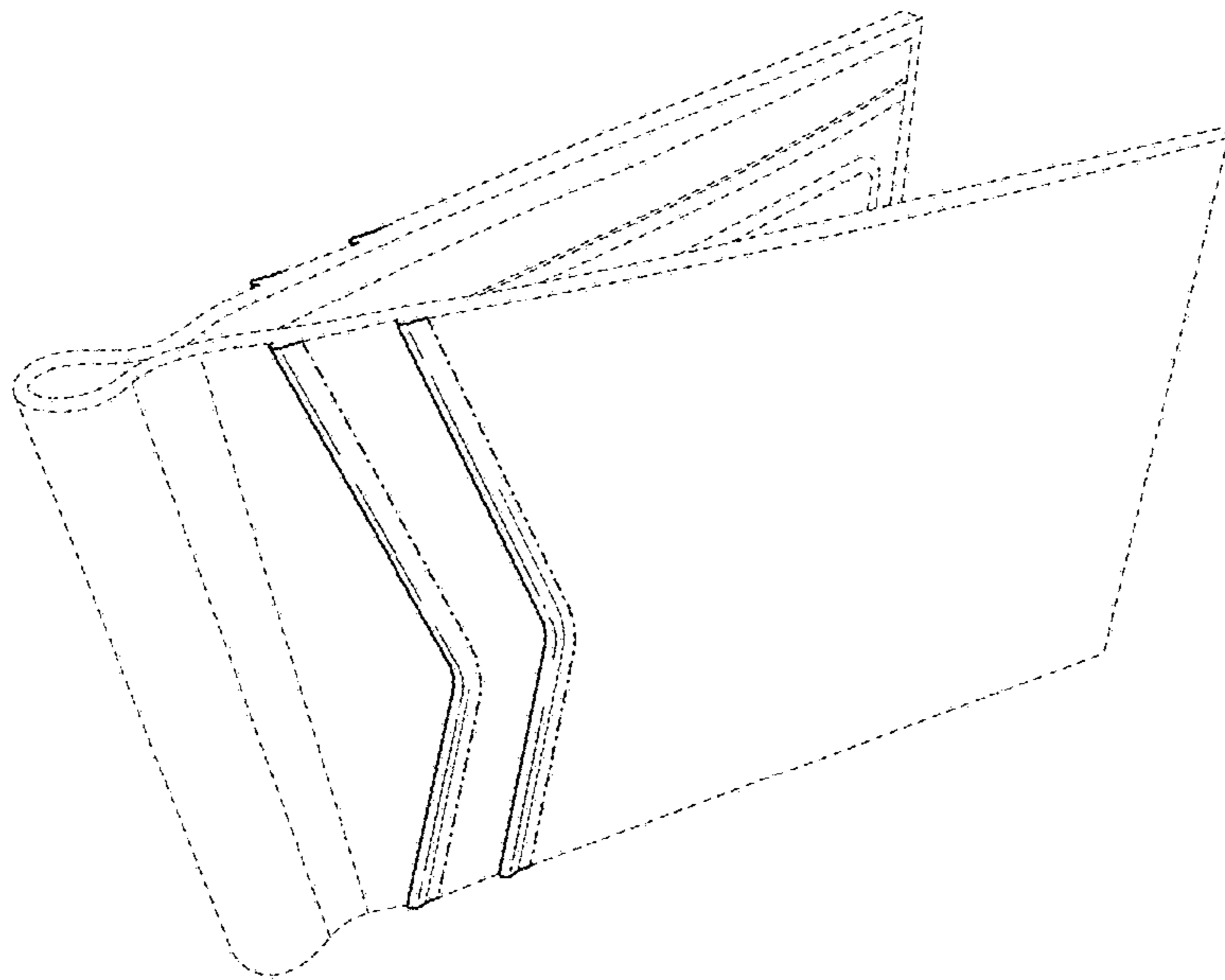


FIG. 1

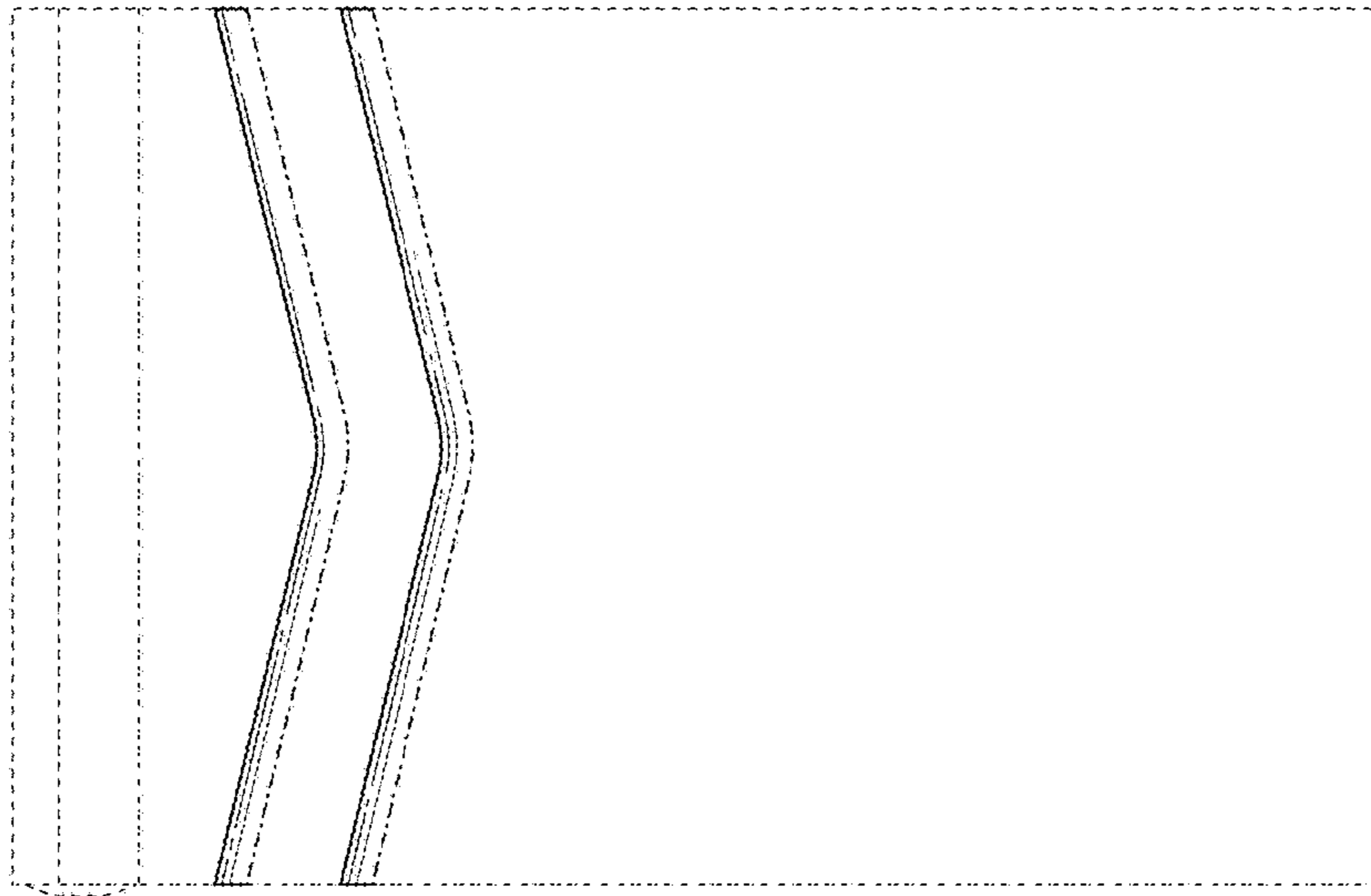


FIG. 2

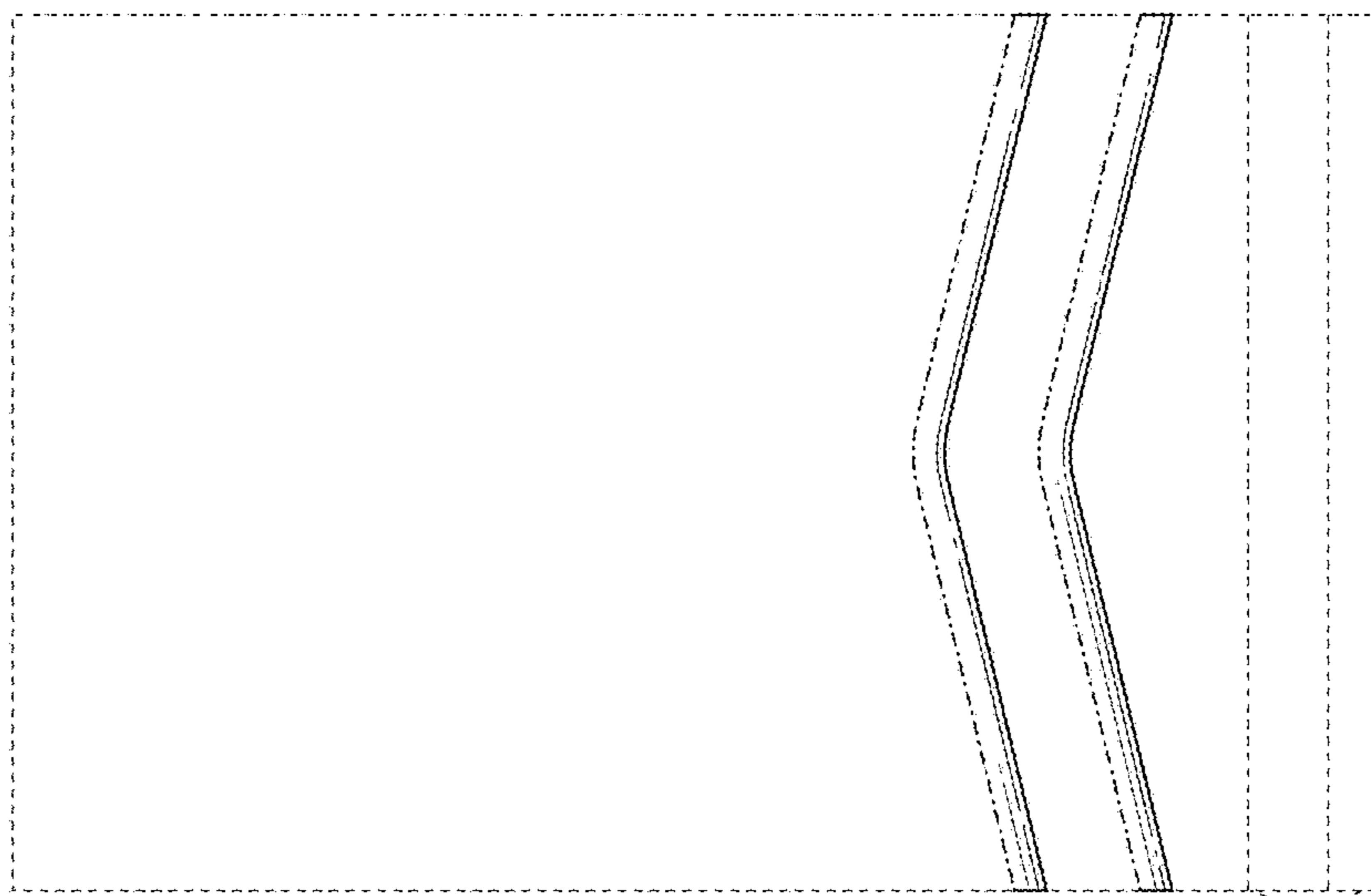


FIG. 3

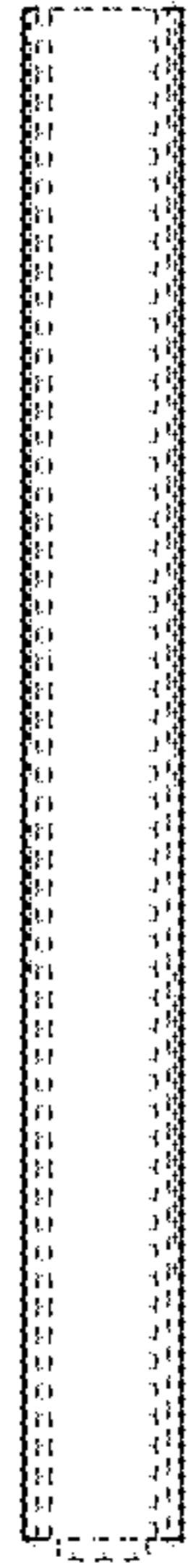


FIG. 4

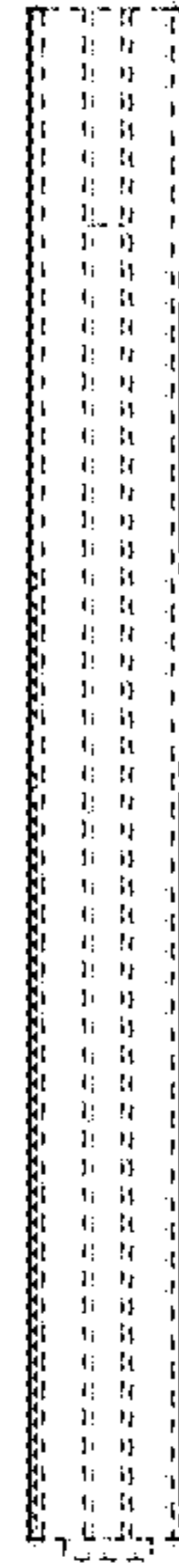


FIG. 5

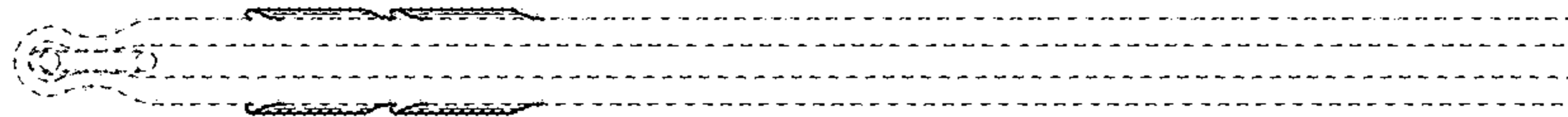


FIG. 6

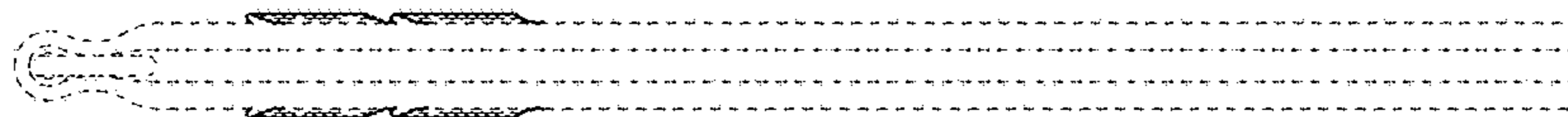


FIG. 7

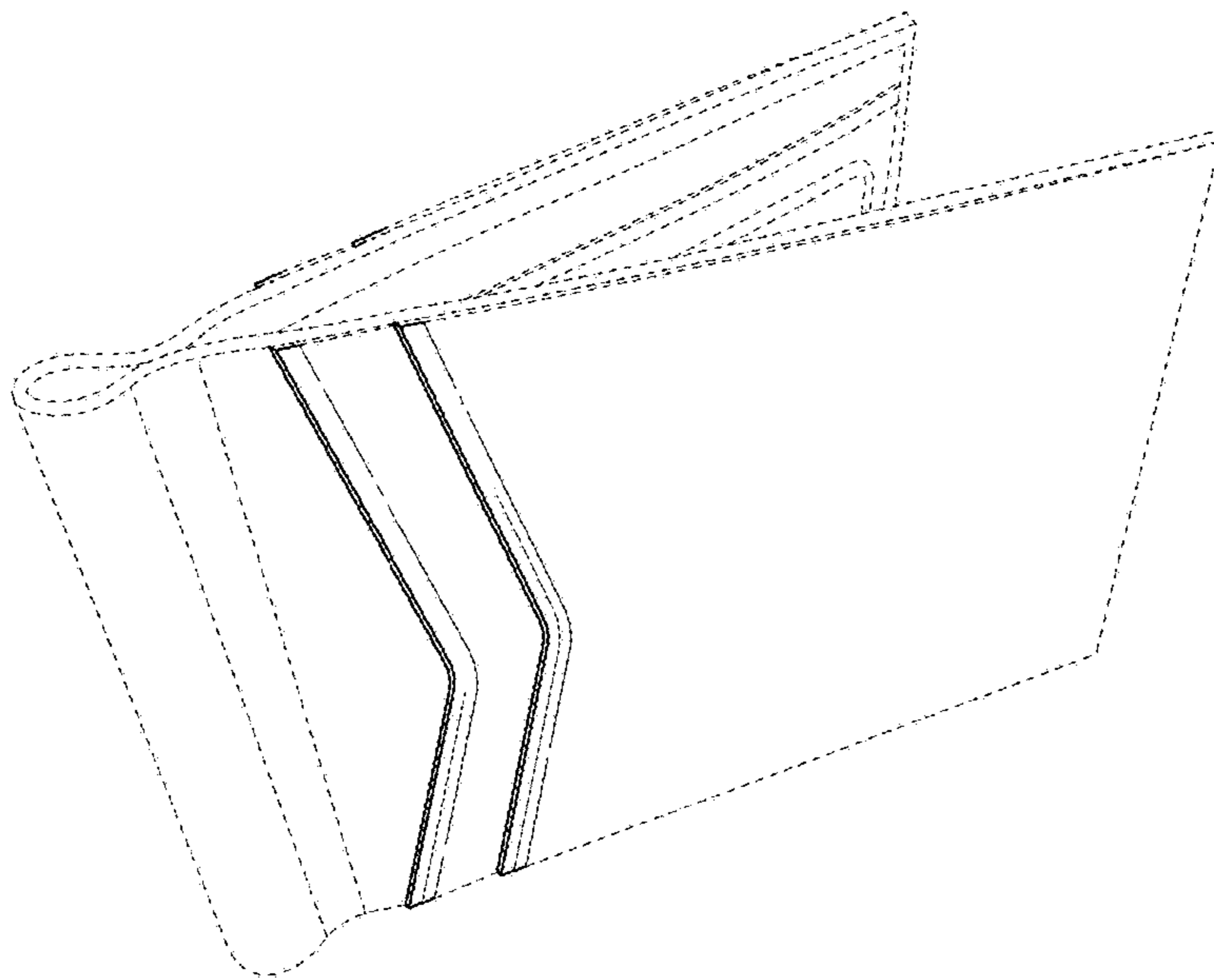


FIG. 8

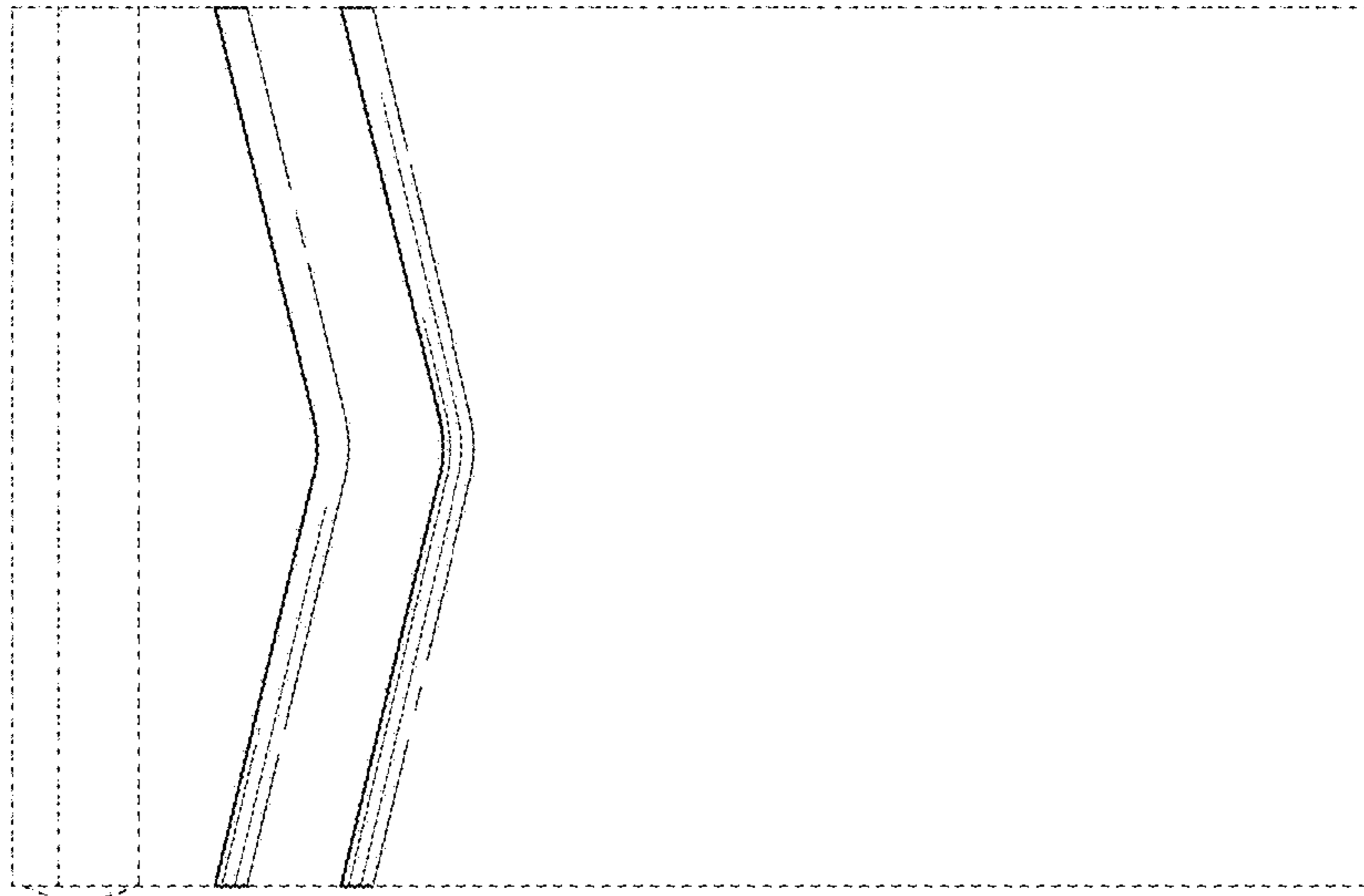


FIG. 9

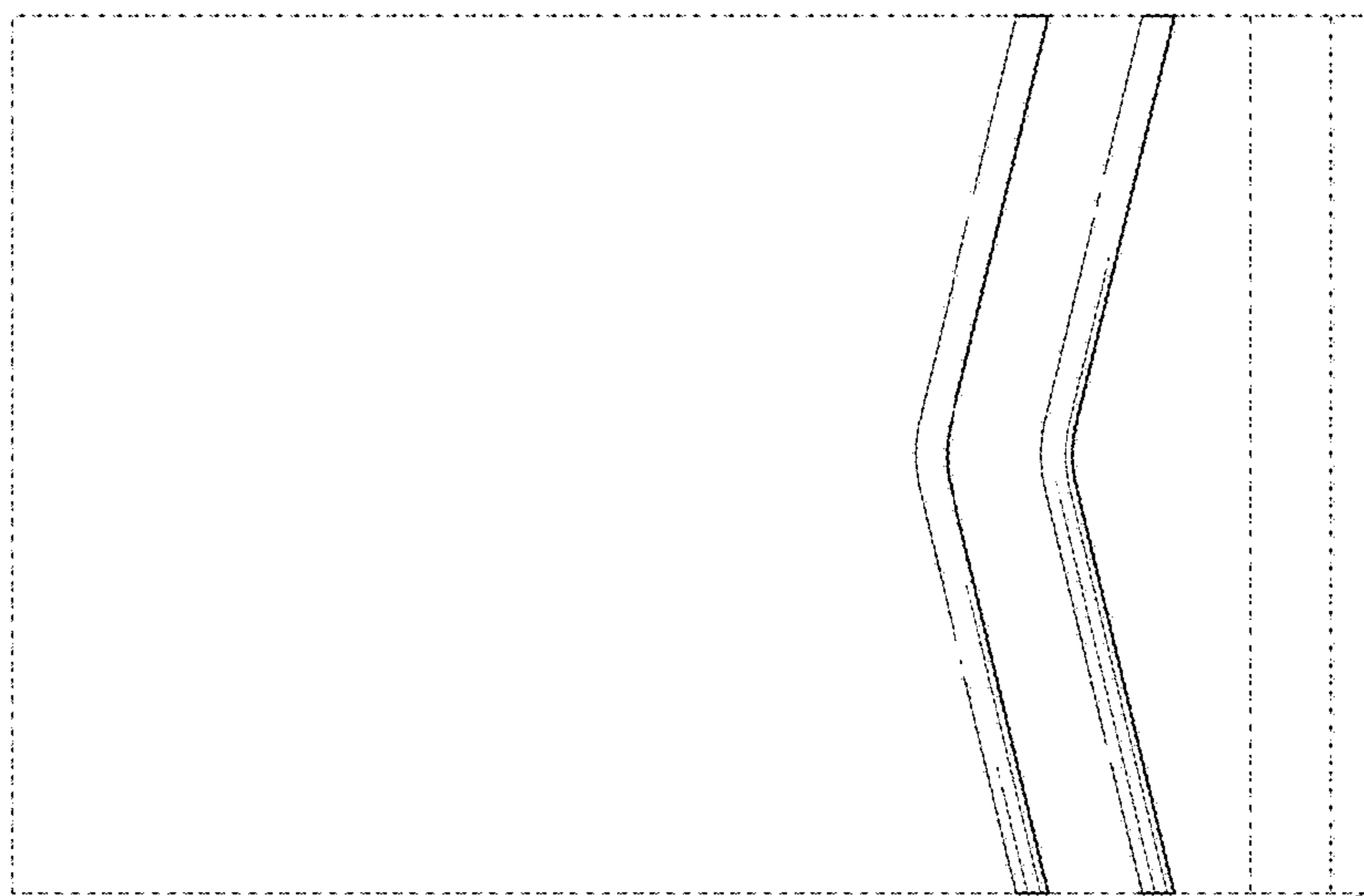


FIG. 10

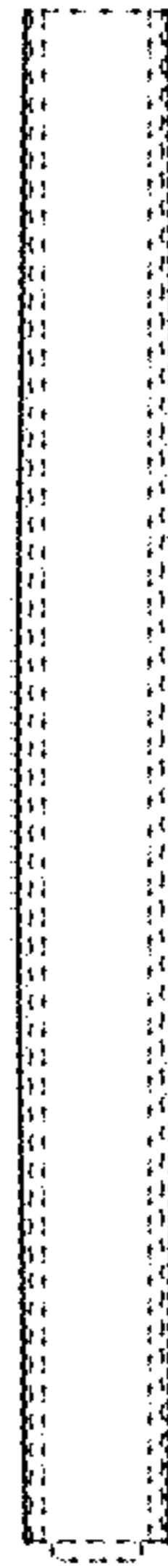


FIG. 11

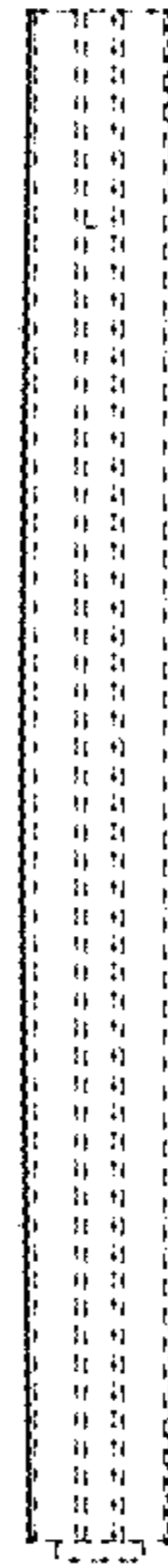


FIG. 12

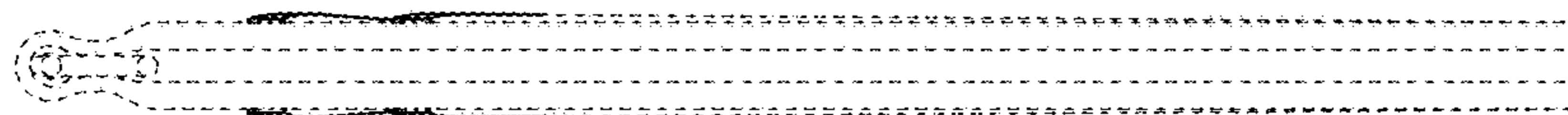


FIG. 13

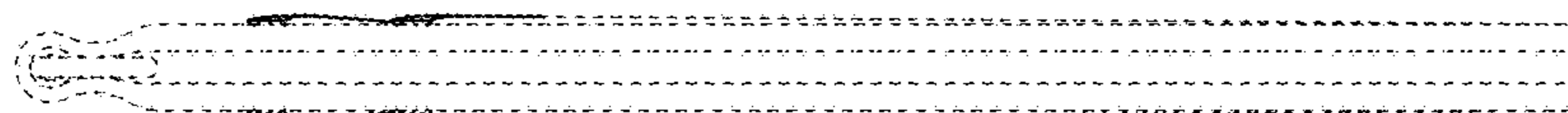


FIG. 14