



US00D859829S

(12) **United States Design Patent** (10) **Patent No.:** **US D859,829 S**  
**West** (45) **Date of Patent:** **\*\* Sep. 17, 2019**

(54) **BOW SLING COVER**  
(71) Applicant: **W. L. Gore & Associates, Inc.**,  
Newark, DE (US)

7,770,768 B1 \* 8/2010 Primos ..... F41B 5/14  
224/607  
9,038,878 B2 5/2015 Jones  
9,310,158 B2 \* 4/2016 Jones ..... F41B 5/1461  
2014/0252058 A1 \* 9/2014 Jones ..... F41B 5/10  
224/576

(72) Inventor: **Zachary D West**, Seattle, WA (US)

(73) Assignee: **W. L. Gore & Associates, Inc.**,  
Newark, DE (US)

(\*\*) Term: **15 Years**

(21) Appl. No.: **29/609,757**

(22) Filed: **Jul. 5, 2017**

(51) **LOC (12) Cl.** ..... **03-01**

(52) **U.S. Cl.**  
USPC ..... **D3/262**

(58) **Field of Classification Search**  
USPC ..... D3/20, 10, 11, 201, 215, 216, 217, 221,  
D3/222, 223, 224, 225, 226, 227, 230,  
D3/254, 255, 256, 257, 258, 259, 260,  
D3/261, 262, 270, 271.9, 271.11, 271.12,  
D3/273, 303, 315, 317, 319, 274, 276,  
D3/282, 283, 284, 285, 286, 288, 291,  
D3/293, 294, 295; D22/108, 199  
CPC ... A45C 7/0022; A45C 7/0027; A45C 7/0031;  
A45C 2003/007; A45C 5/06; A45C 5/00;  
F41B 5/1457; A63B 71/0036  
See application file for complete search history.

(56) **References Cited**

**U.S. PATENT DOCUMENTS**

D425,959 S \* 5/2000 Gibbs ..... D22/100  
D510,973 S \* 10/2005 Primos ..... D22/107  
D528,791 S \* 9/2006 Sides ..... D3/262  
D551,314 S 9/2007 Primos

**OTHER PUBLICATIONS**

Sneak Peek!—Sitka Bow Sling Overview by Kendall Card, posted at youtube.com, posted Jan. 17, 2018, online, URL:https://www.youtube.com/watch?v=a6fLIwiPYMs (Year: 2018).\*

\* cited by examiner

*Primary Examiner* — Barbara Fox  
*Assistant Examiner* — Mary Shannon Malley  
(74) *Attorney, Agent, or Firm* — Greenberg Traurig, LLP

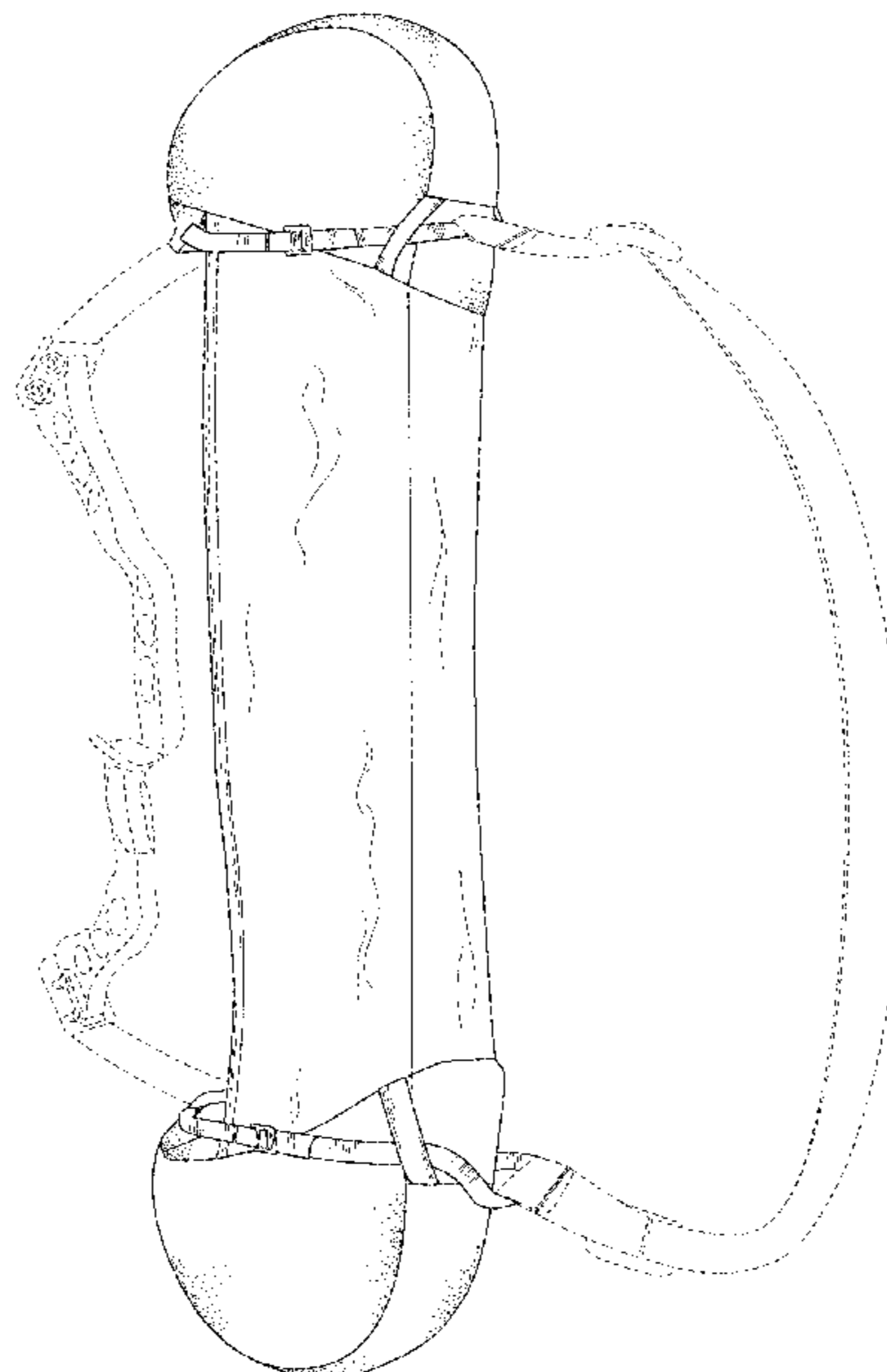
(57) **CLAIM**

The ornamental design for a bow sling cover, as shown and described.

**DESCRIPTION**

FIG. 1 is a three-quarter top isometric view of a bow sling cover of the design of the present invention;  
FIG. 2 is a front side view of the bow sling cover of FIG. 1;  
FIG. 3 is a rear side view of the bow sling cover of FIG. 1;  
FIG. 4 is a right end view of the bow sling cover of FIG. 1;  
FIG. 5 is a left end view of the bow sling cover of FIG. 1;  
FIG. 6 is a top view of the bow sling cover of FIG. 1;  
FIG. 7 is a bottom view of the bow sling cover of FIG. 1;  
and,  
FIG. 8 is a three-quarter bottom isometric view of the bow sling cover design of FIG. 1 having the internal bags extended.  
The broken lines showing a cross bow are directed to environment that forms no part of the claimed design. All other broken lines show portions of the bow sling cover that form no part of the claimed design.

**1 Claim, 8 Drawing Sheets**



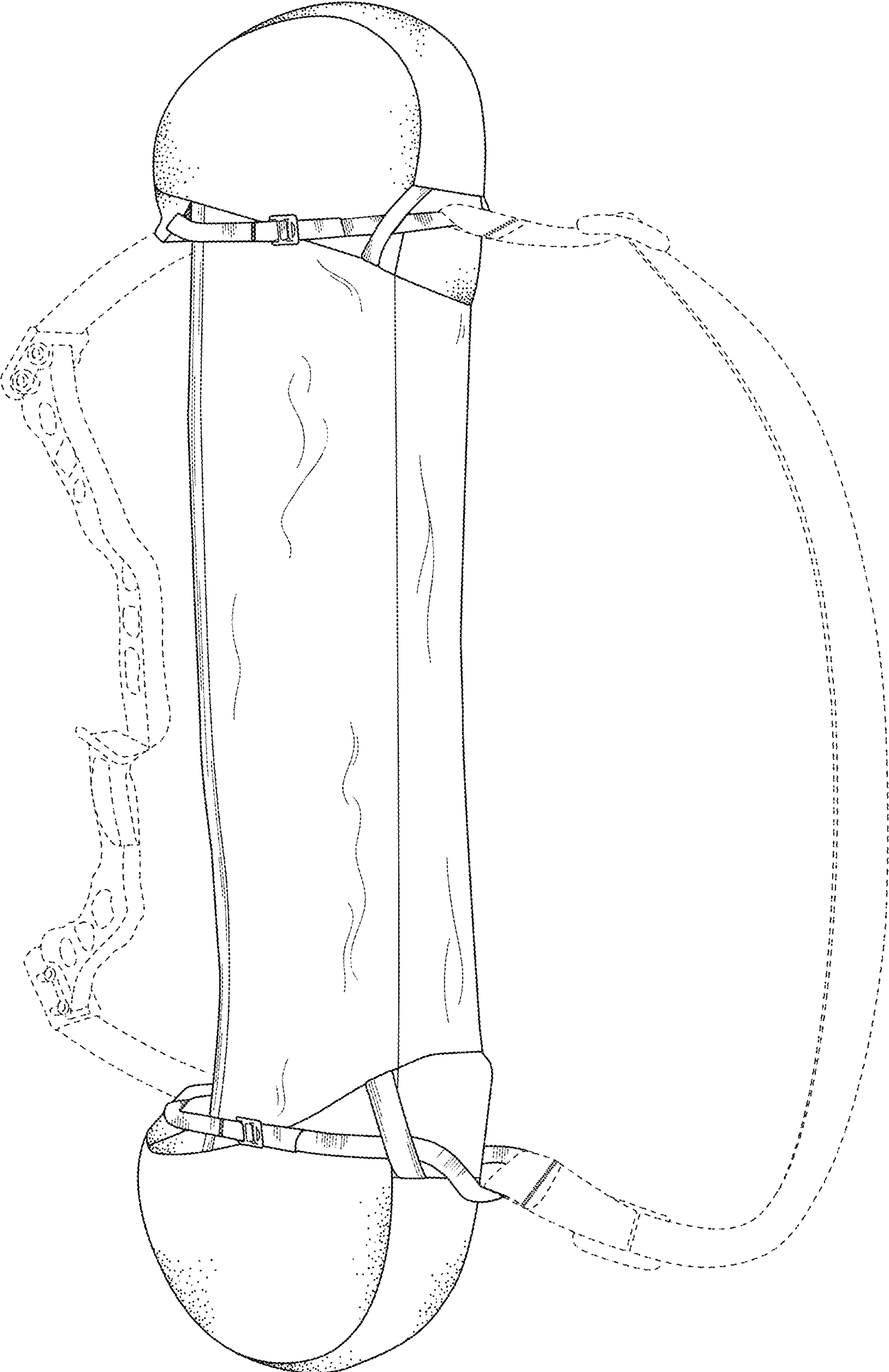


FIG. 1

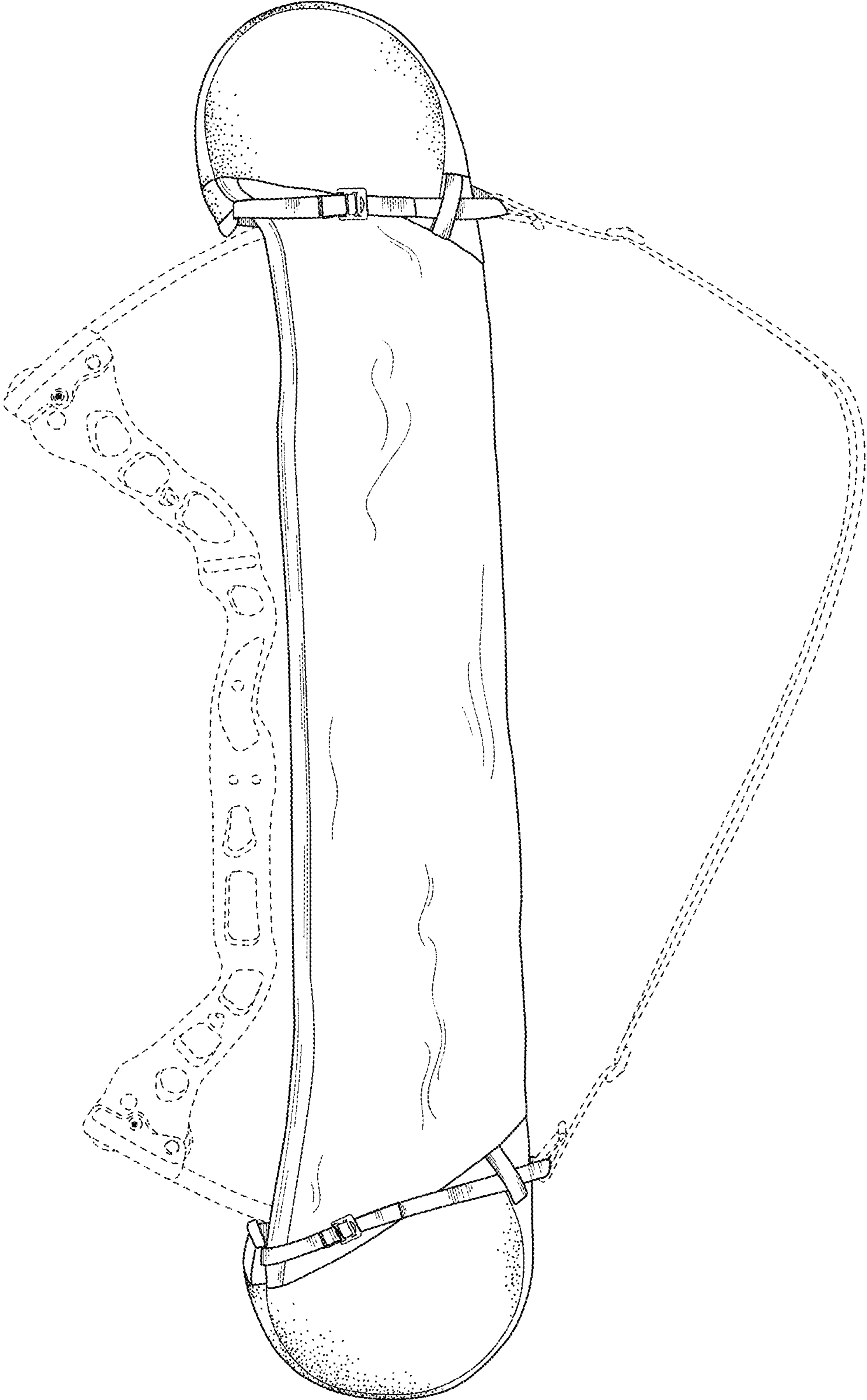


FIG. 2

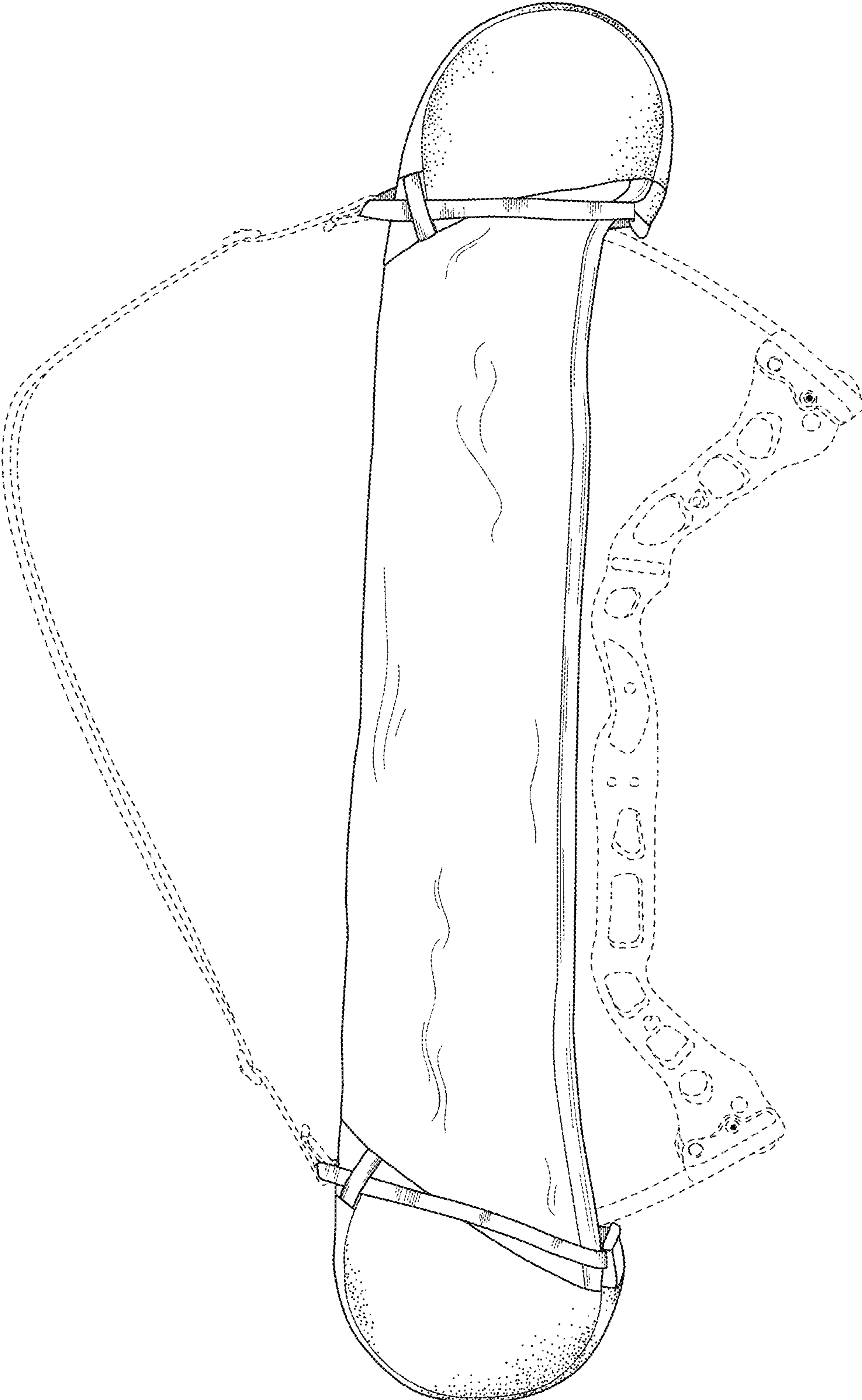


FIG. 3

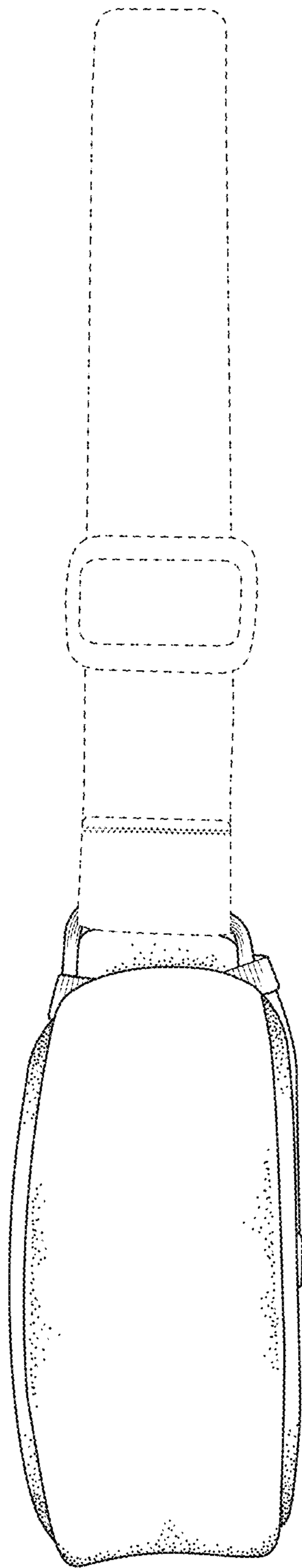


FIG. 4

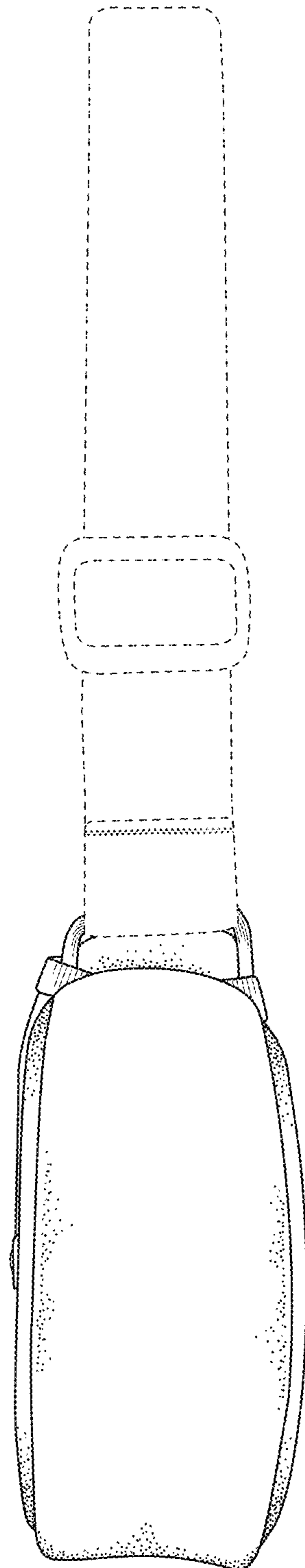


FIG. 5

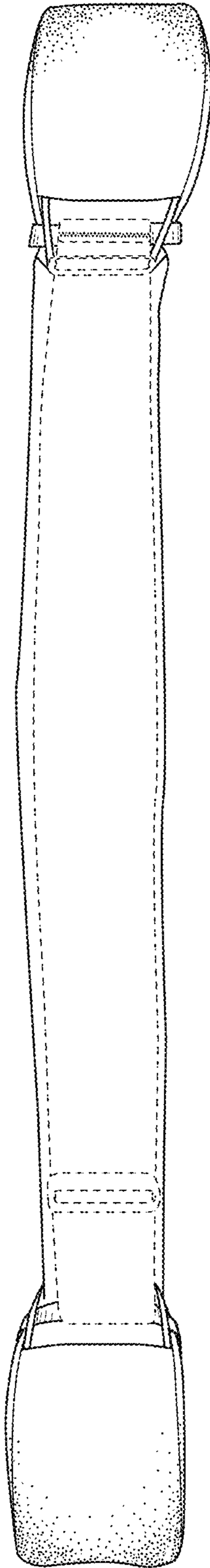


FIG. 6

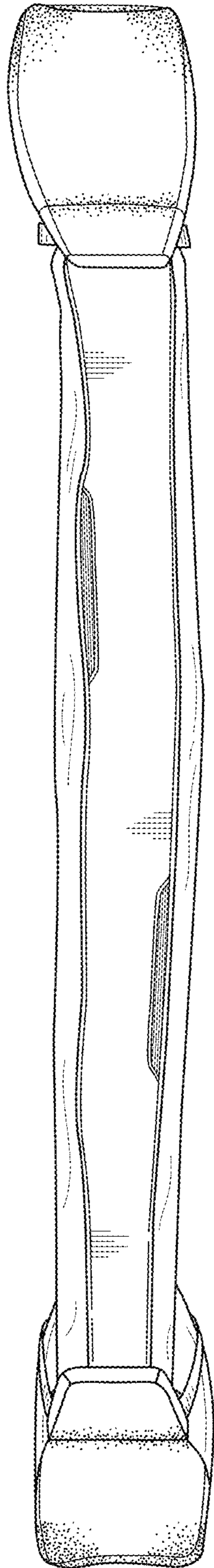


FIG. 7



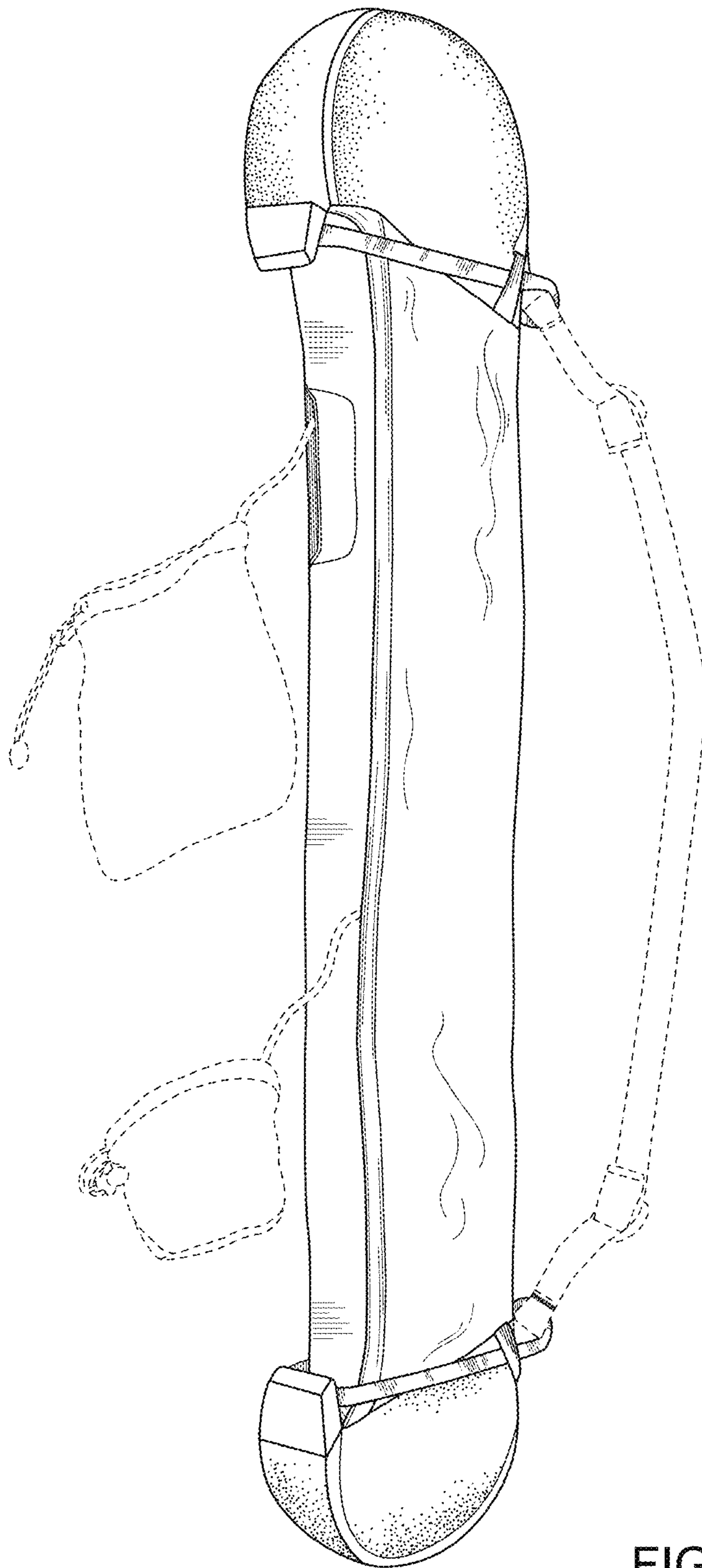


FIG. 8