



US00D859825S

(12) **United States Design Patent** (10) **Patent No.:** **US D859,825 S**
Nilsson (45) **Date of Patent:** **** Sep. 17, 2019**

(54) **HANDBAG**

D793,080 S * 8/2017 Della Valle D3/243

(71) Applicant: **LOUIS VUITTON MALLETIER,**
Paris (FR)

* cited by examiner

(72) Inventor: **Johanna Nilsson,** Paris (FR)

Primary Examiner — Holly H Baynham

(73) Assignee: **Louis Vuitton Malletier,** Paris (FR)

(74) *Attorney, Agent, or Firm* — Fross Zelnick Lehrman
& Zissu, P.C.; Charles T. J. Weigell, Esq.

(**) Term: **15 Years**

(57) **CLAIM**

(21) Appl. No.: **29/624,838**

The ornamental design for a handbag, as shown and described.

(22) Filed: **Nov. 3, 2017**

(51) **LOC (12) Cl.** **03-01**

DESCRIPTION

(52) **U.S. Cl.**
USPC **D3/245**

(58) **Field of Classification Search**
USPC D3/232–233, 240–243, 245–246
CPC A45C 1/024; A45C 3/06
See application file for complete search history.

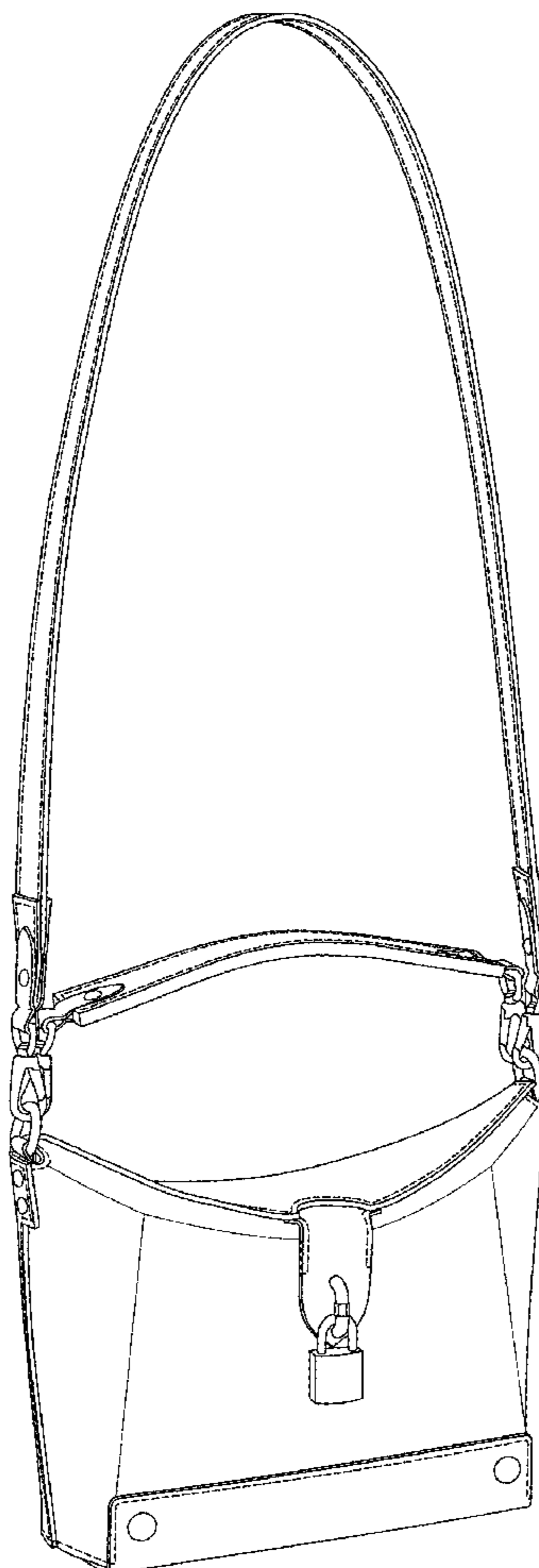
FIG. 1 is a front perspective view of a handbag showing my new design;
FIG. 2 is a front view thereof;
FIG. 3 is a back view thereof;
FIG. 4 is a left side view thereof;
FIG. 5 is a right side view thereof;
FIG. 6 is a top view thereof; and,
FIG. 7 is a bottom view thereof.
The dotted lines are understood to represent stitching.

(56) **References Cited**

U.S. PATENT DOCUMENTS

D770,176 S * 11/2016 Guyon D3/243

1 Claim, 7 Drawing Sheets



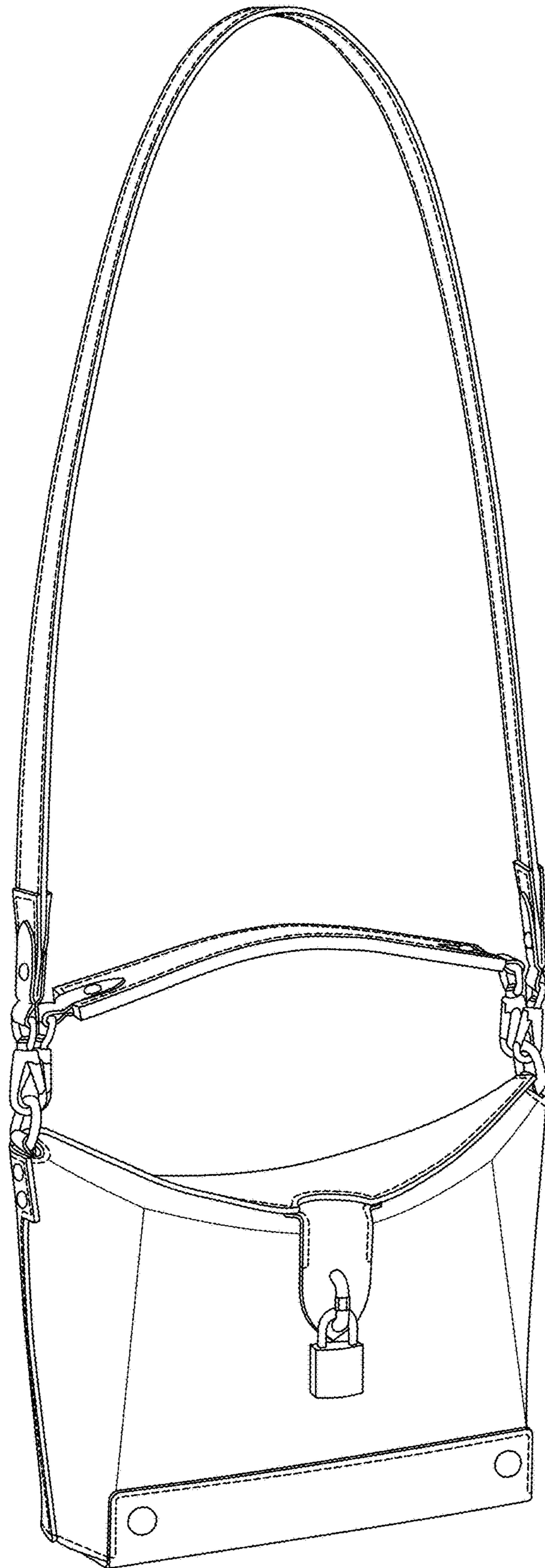


FIG. 1

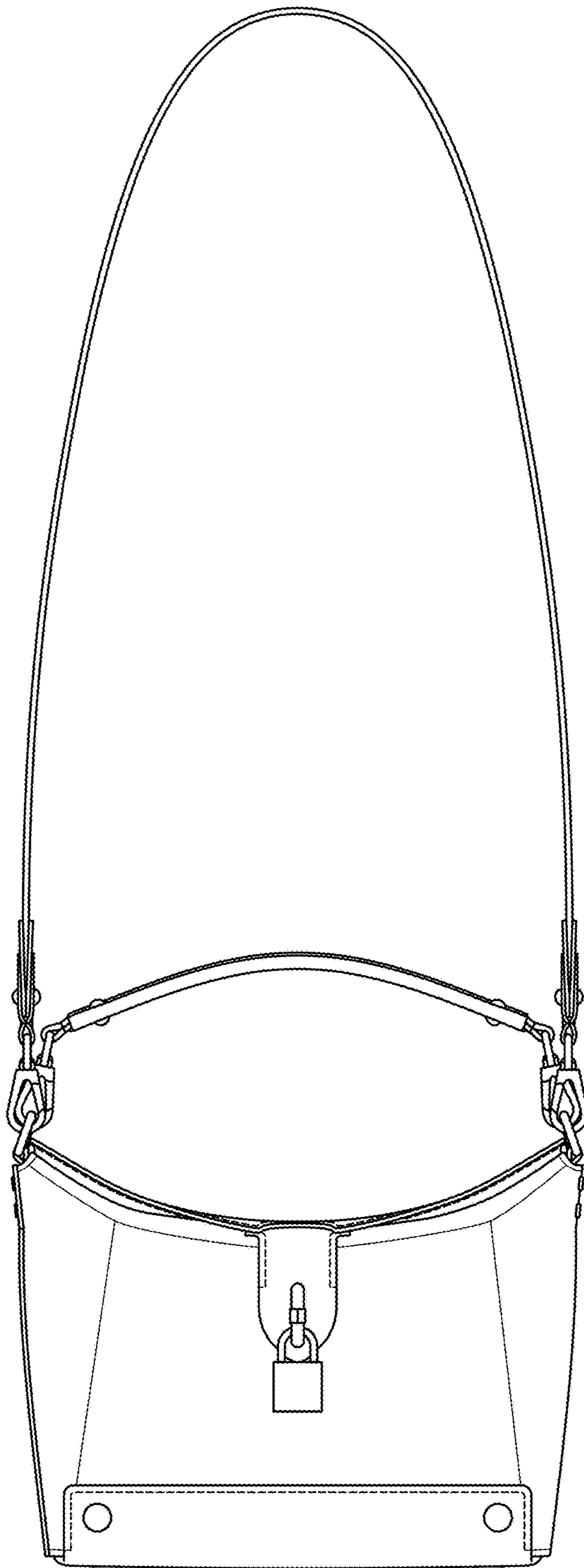


FIG. 2

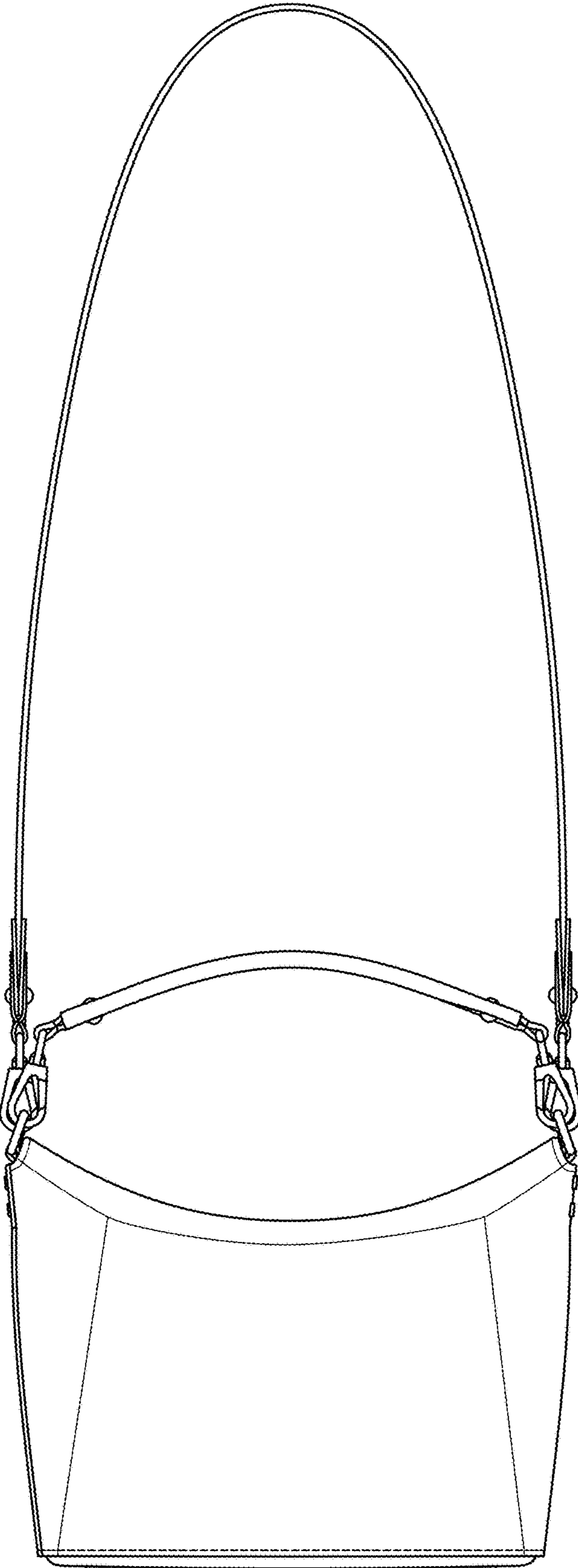


FIG. 3

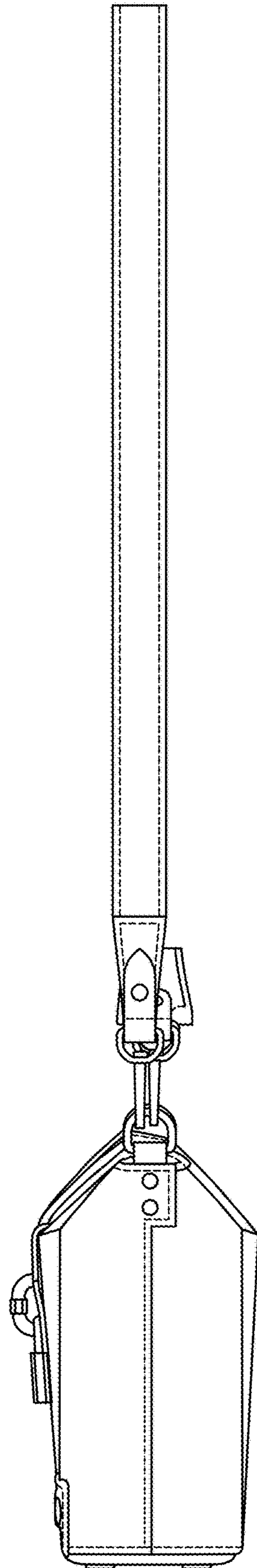


FIG. 4

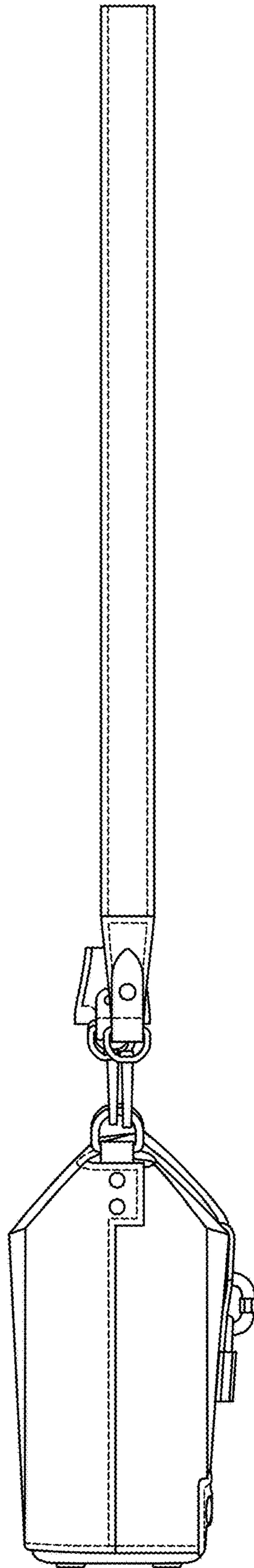


FIG. 5

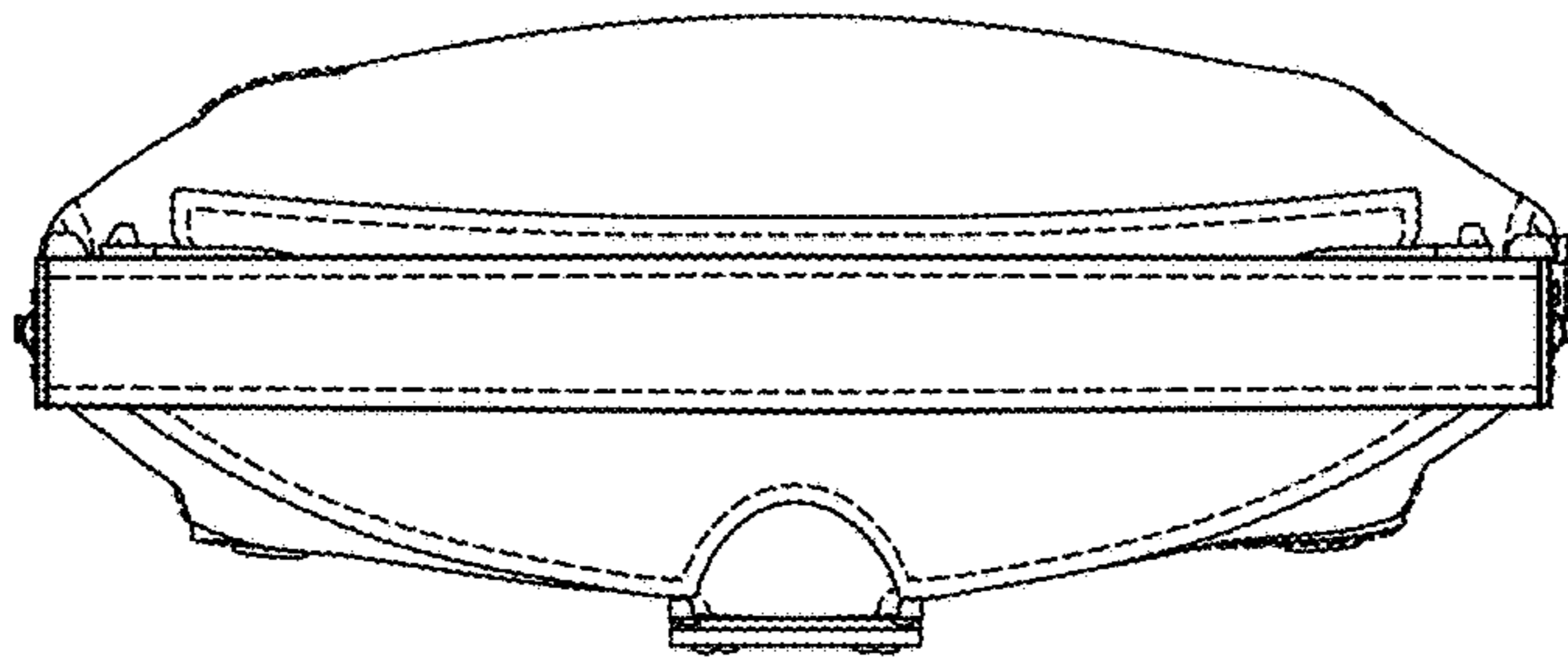


FIG. 6

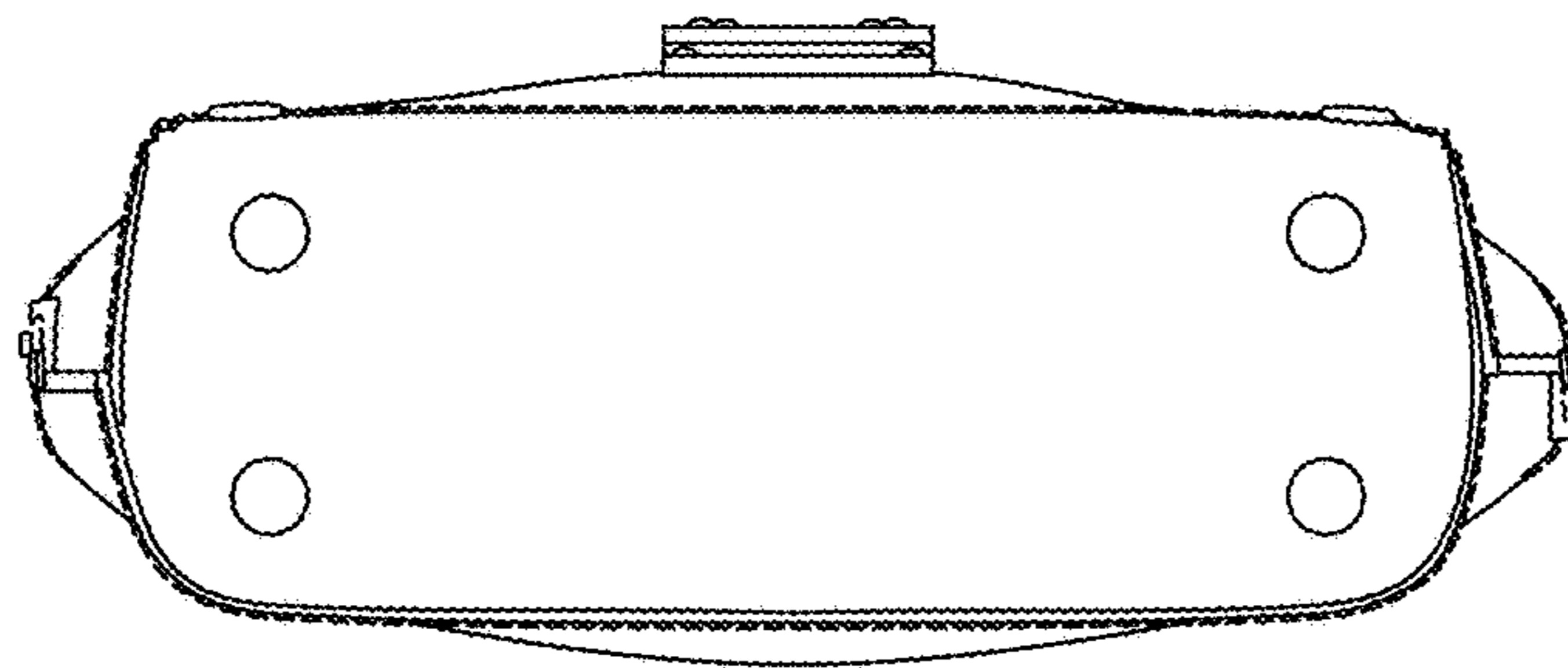


FIG. 7