



US00D859824S

(12) **United States Design Patent**
Vaccarello

(10) **Patent No.:** **US D859,824 S**

(45) **Date of Patent:** **** Sep. 17, 2019**

(54) **BAG**

(71) Applicant: **YVES SAINT LAURENT**, Paris (FR)

(72) Inventor: **Anthony Vaccarello**, Paris (FR)

(73) Assignee: **YVES SAINT LAURENT**, Paris (FR)

(**) Term: **15 Years**

(21) Appl. No.: **29/641,095**

(22) Filed: **Mar. 20, 2018**

(30) **Foreign Application Priority Data**

Mar. 14, 2018 (EM) 004754570-0002

(51) **LOC (12) Cl.** **03-01**

(52) **U.S. Cl.**
USPC **D3/243**

(58) **Field of Classification Search**
USPC D3/232-233, 240-243, 245-246
CPC A45C 1/024; A45C 3/06
See application file for complete search history.

(56) **References Cited**

U.S. PATENT DOCUMENTS

D803,554 S * 11/2017 Maier D3/243
D803,555 S * 11/2017 Maier D3/243
D804,170 S * 12/2017 Maier D3/243

* cited by examiner

Primary Examiner — Holly H Baynham

(74) *Attorney, Agent, or Firm* — Donald J. Ranft; Collen

(57) **CLAIM**

The ornamental design for a bag, as shown.

DESCRIPTION

FIG. 1 is a front right perspective view of a bag showing my new design;

FIG. 2 is a front view thereof;

FIG. 3 is a rear view thereof;

FIG. 4 is a left side view thereof;

FIG. 5 is a right side view thereof;

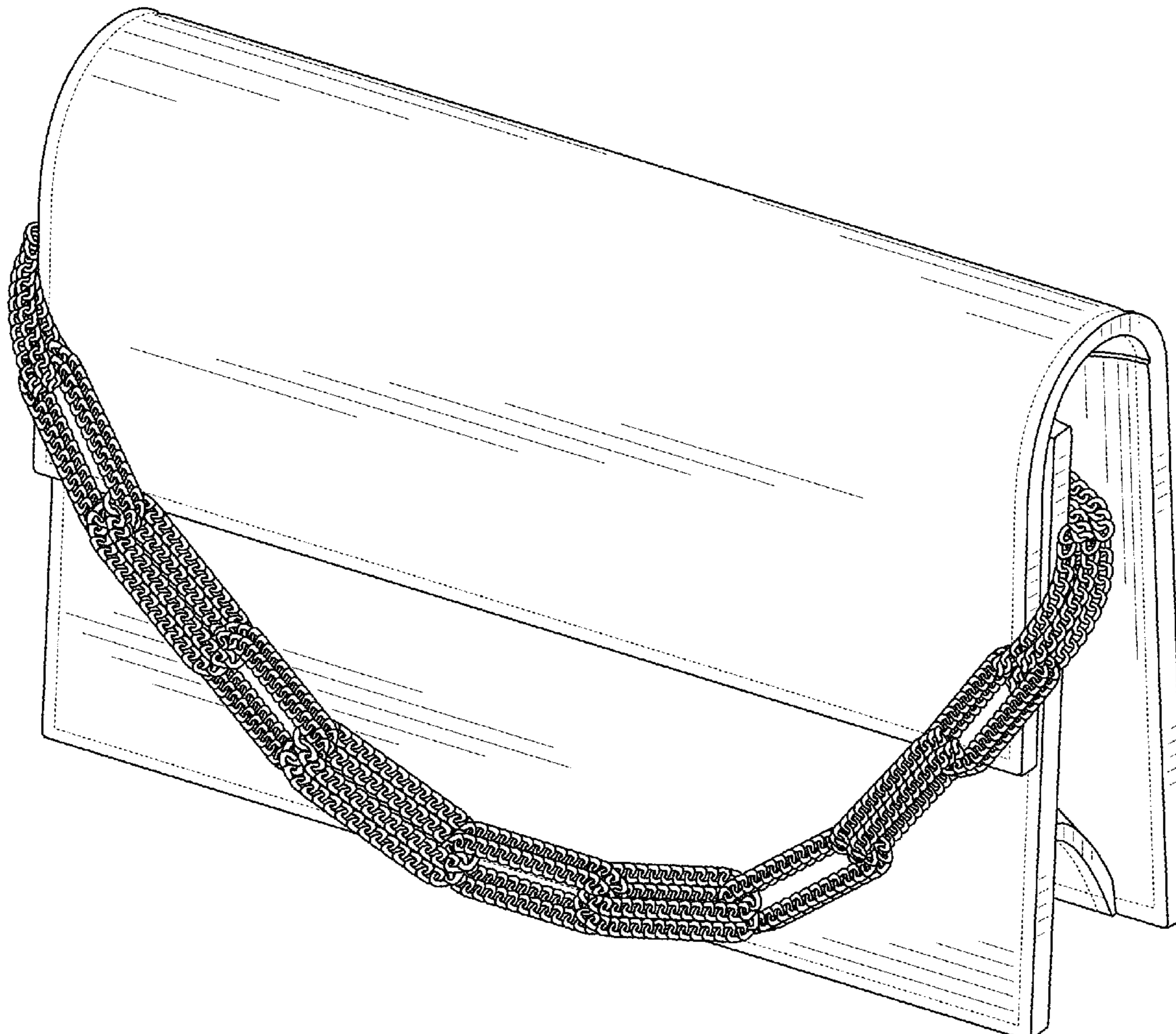
FIG. 6 is a top view thereof;

FIG. 7 is a bottom view thereof; and,

FIG. 8 is a rear left perspective view thereof.

The broken lines representing stitching are part of the claimed design.

1 Claim, 6 Drawing Sheets



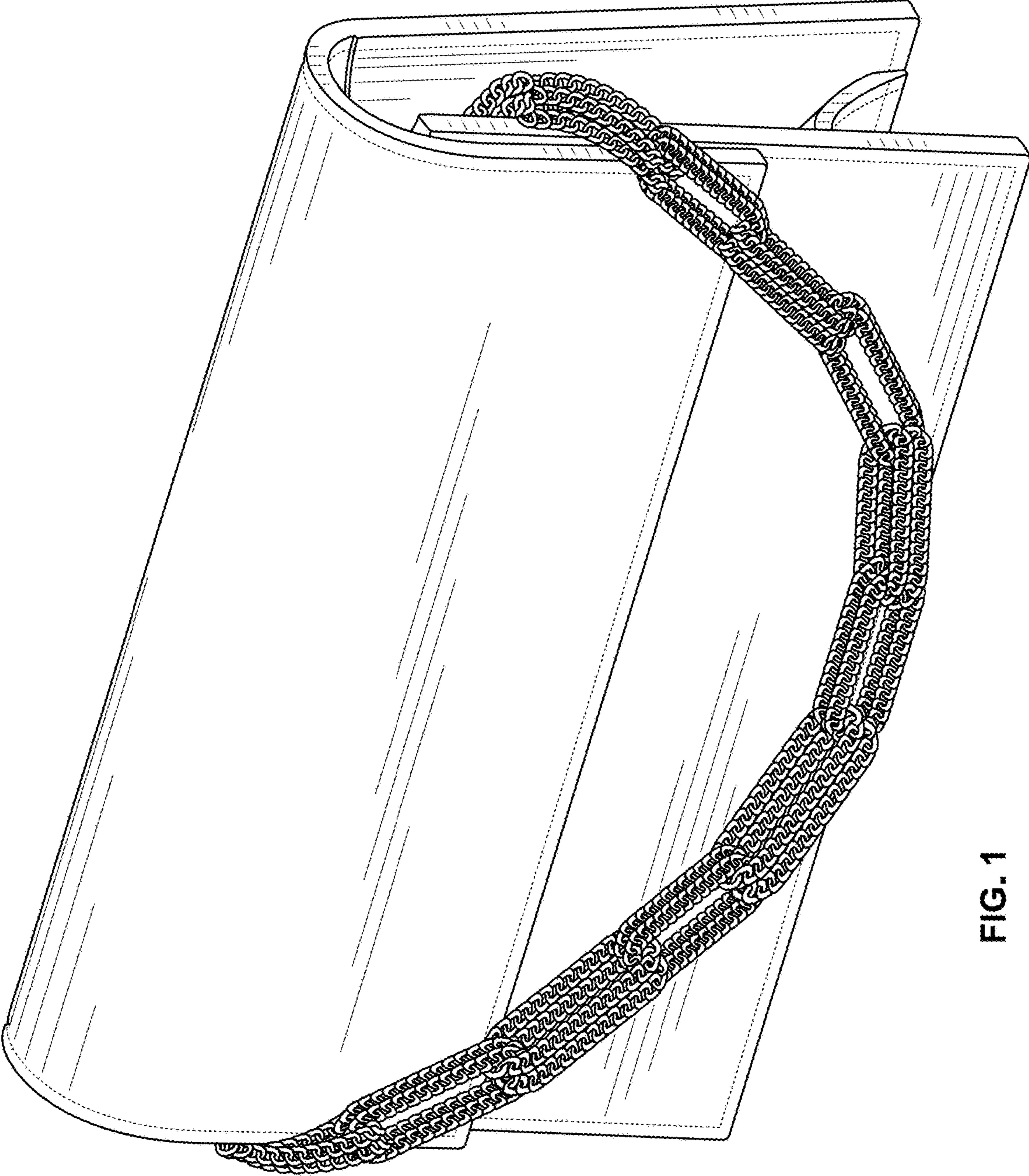


FIG. 1

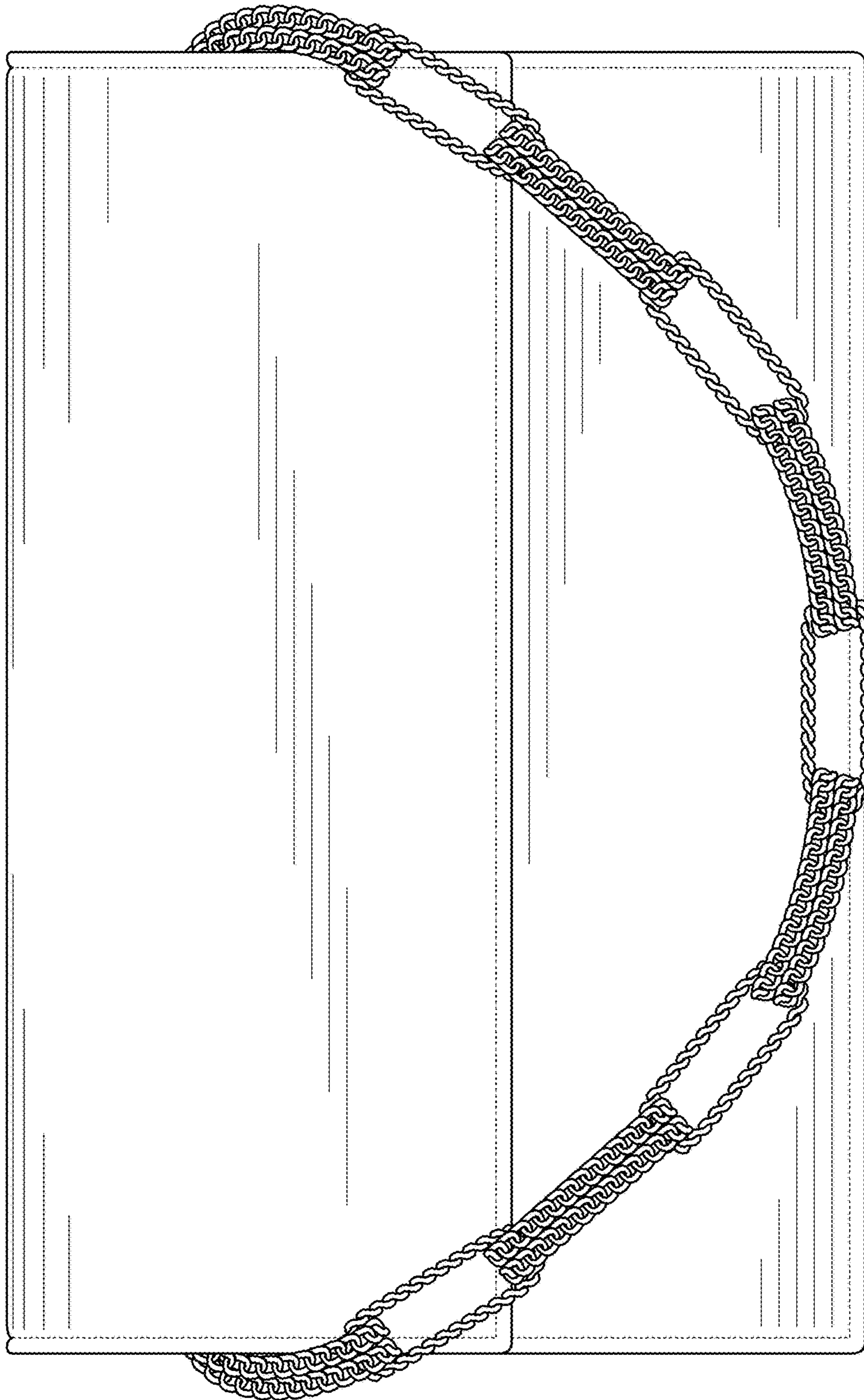


FIG. 2

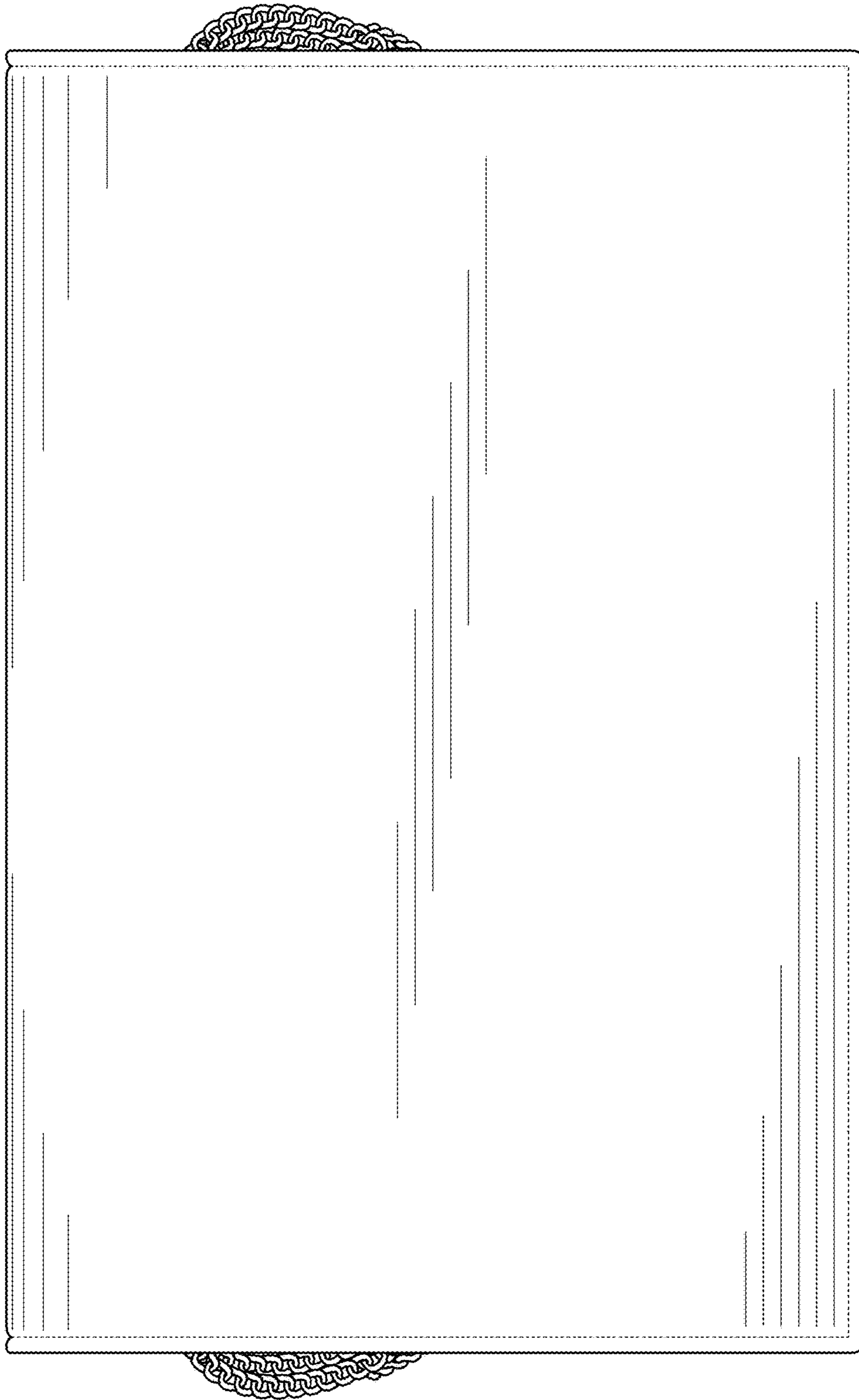


FIG. 3

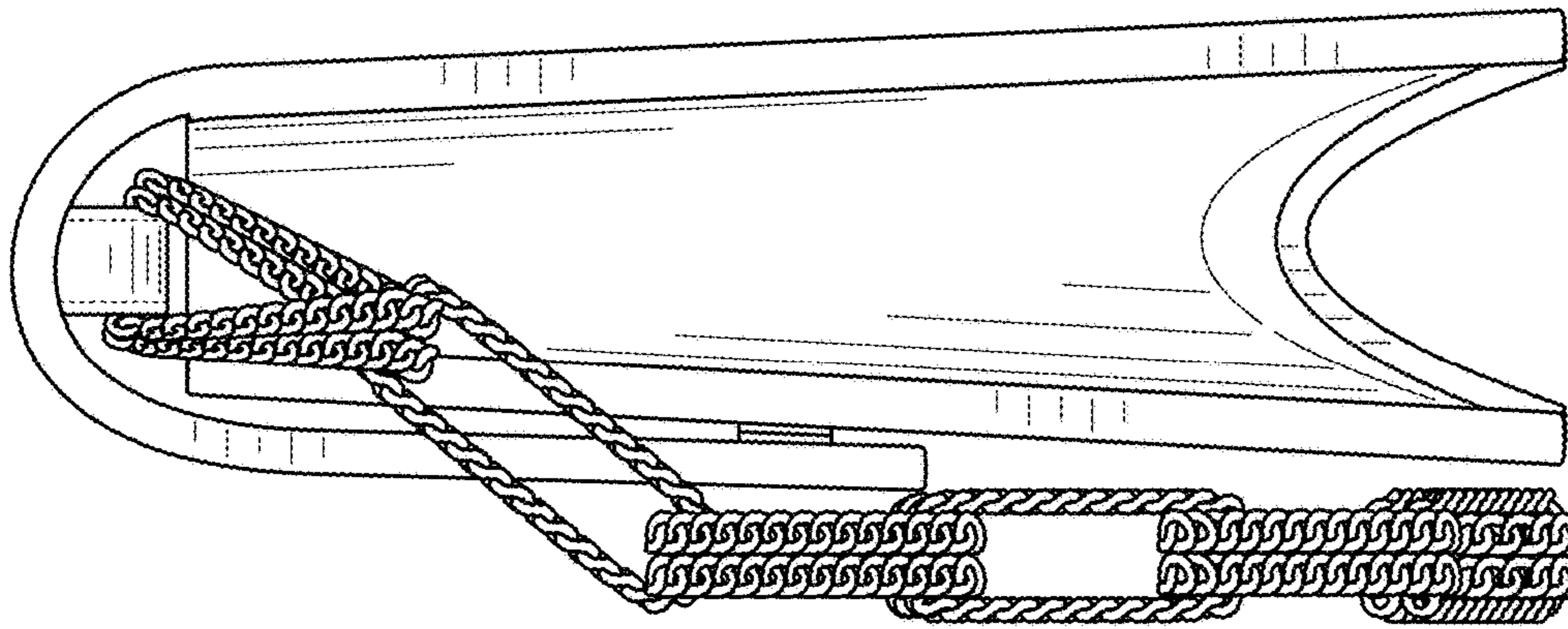


FIG. 5

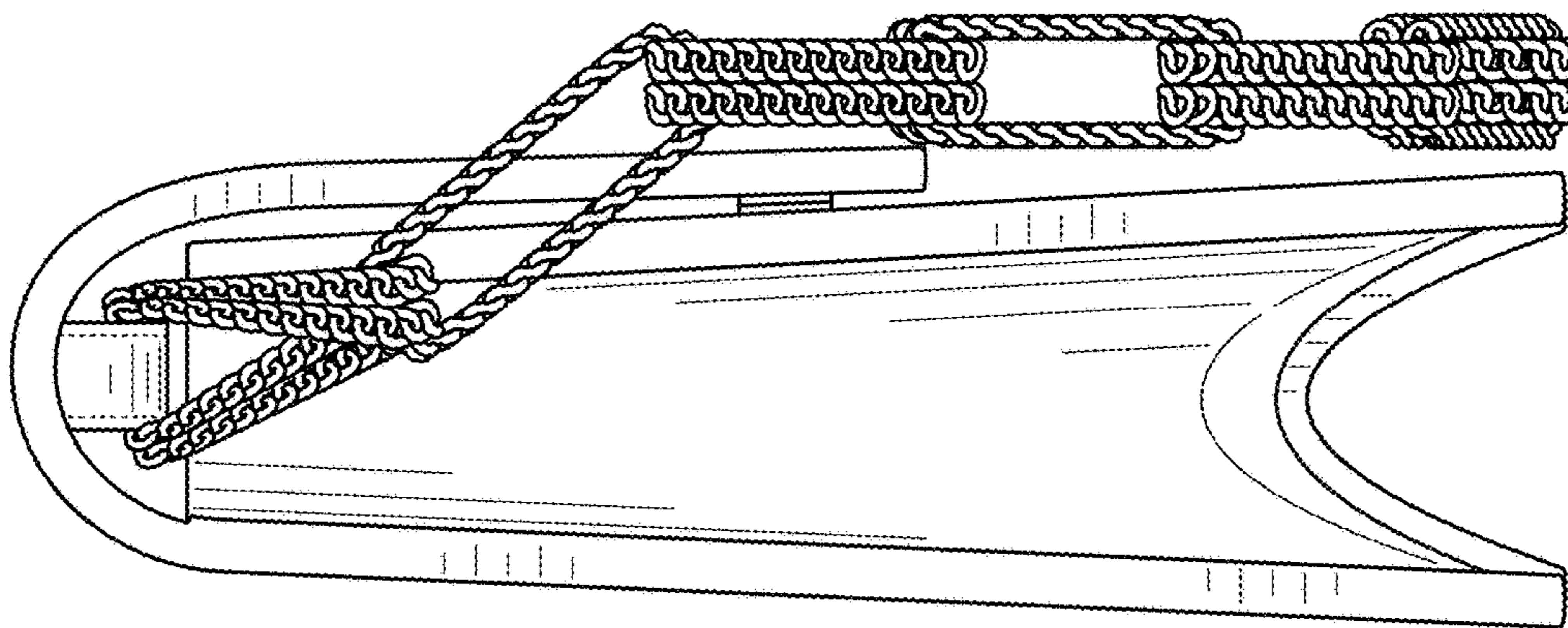


FIG. 4

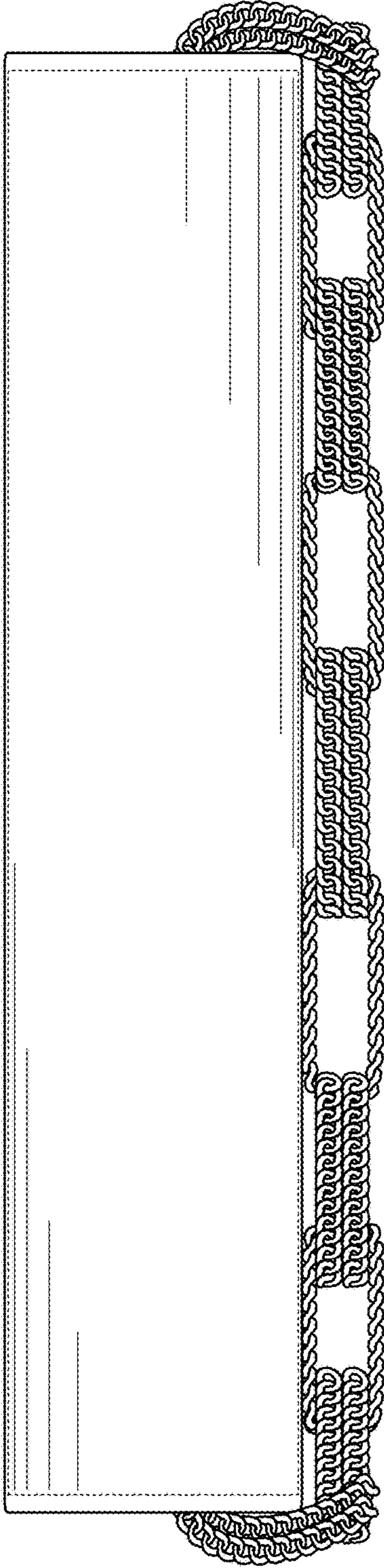


FIG. 6

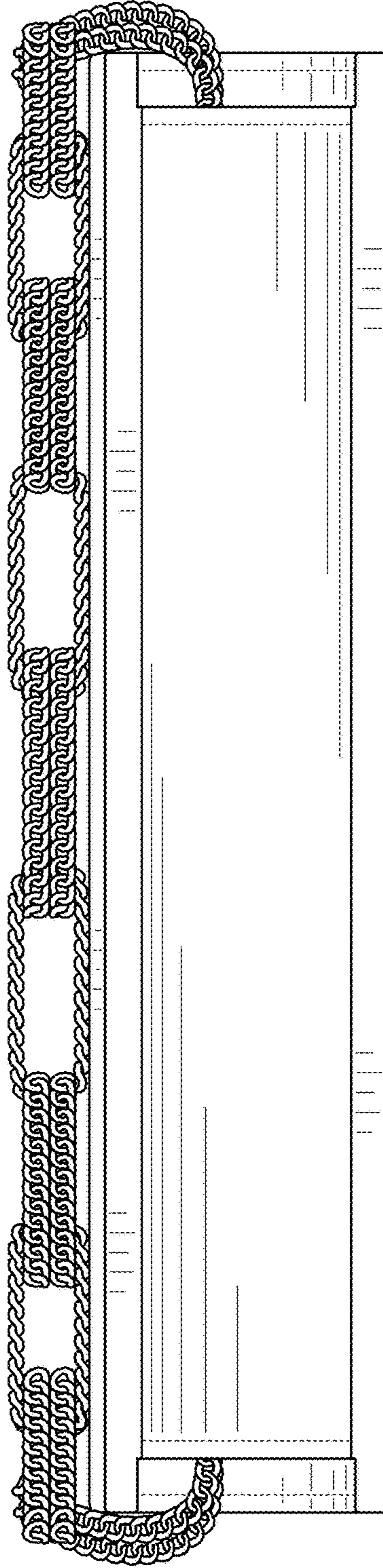


FIG. 7

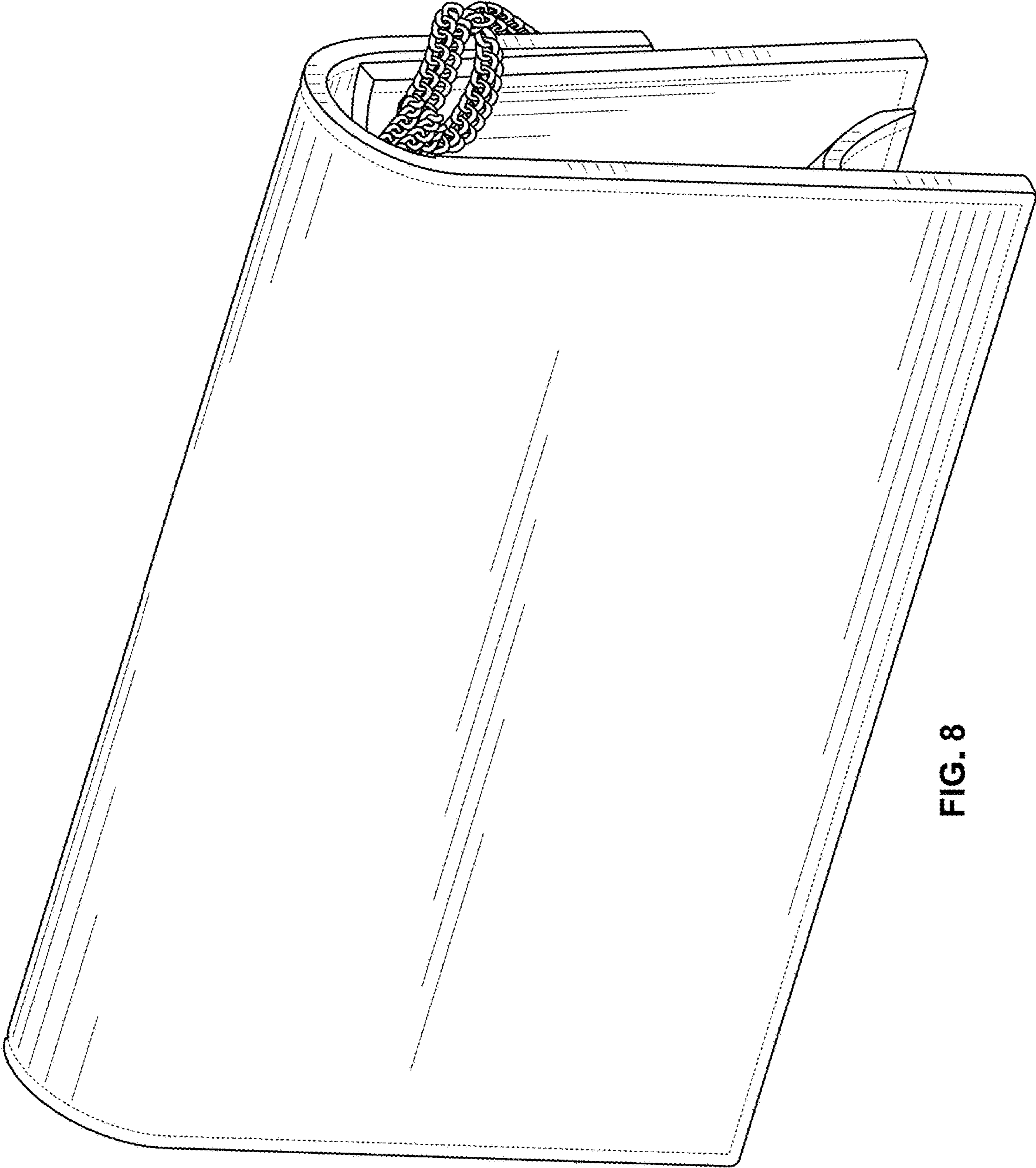


FIG. 8