



US00D859821S

(12) **United States Design Patent** (10) **Patent No.:** **US D859,821 S**
Soulette et al. (45) **Date of Patent:** **** Sep. 17, 2019**

(54) **PET TRAVEL AND PET EMERGENCY KIT**

(71) Applicants: **Wilma Soulette**, Aptos, CA (US);
Harry A. Soulette, Aptos, CA (US)

(72) Inventors: **Wilma Soulette**, Aptos, CA (US);
Harry A. Soulette, Aptos, CA (US)

(**) Term: **15 Years**

(21) Appl. No.: **29/640,883**

(22) Filed: **Mar. 18, 2018**

(51) **LOC (12) Cl.** **03-01**

(52) **U.S. Cl.**
USPC **D3/232**

(58) **Field of Classification Search**
USPC D3/232-233, 240-243, 245-246;
D30/109
CPC A45C 1/024; A45C 3/06; A01K 1/0236;
A01K 1/0245; A01K 1/02
See application file for complete search history.

(56) **References Cited**

U.S. PATENT DOCUMENTS

D158,897 S * 6/1950 Ruml 150/106
D211,526 S 6/1968 Ikelheimer
5,755,180 A 5/1998 Smith
6,516,745 B1 2/2003 Spires et al.
6,568,347 B2 5/2003 Ciguere
D588,357 S * 3/2009 Fabricius D3/232
D603,606 S * 11/2009 Wang D3/232

D711,096 S * 8/2014 Hanna D3/232
2003/0004740 A1 1/2003 Dickey et al.
2006/0288953 A1 12/2006 Bottorff

* cited by examiner

Primary Examiner — Holly H Baynham
(74) *Attorney, Agent, or Firm* — Suzanne Kikel

(57) **CLAIM**

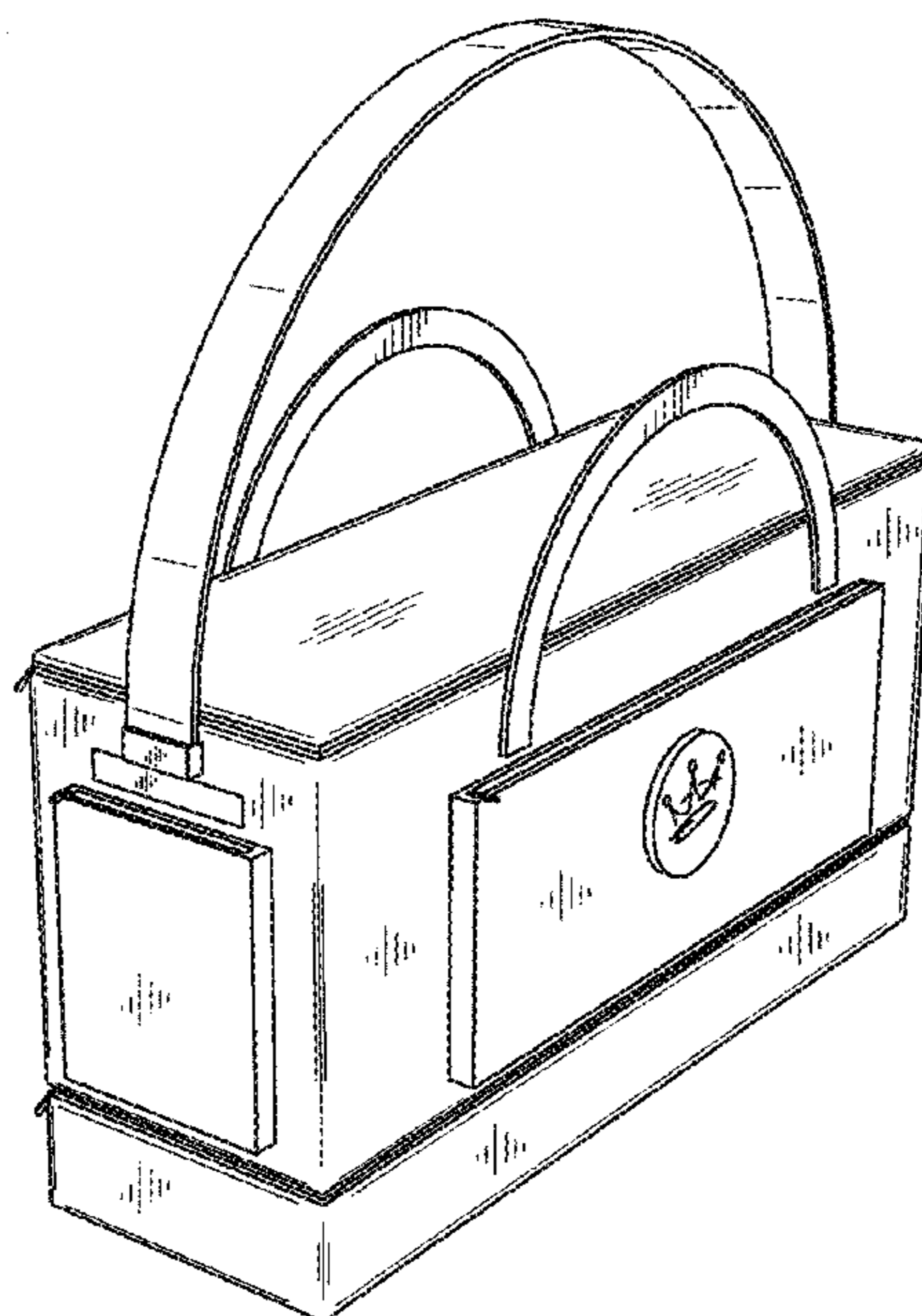
The ornamental design for a pet travel and pet emergency kit, as shown and described.

DESCRIPTION

FIG. 1 is a front perspective view of a pet travel and pet emergency kit, showing our new design.
FIG. 2 is a front perspective view thereof with the top in an open position and showing a rear interior wall.
FIG. 3 is a perspective view thereof with the top in an open position and showing a front interior wall.
FIG. 4 is a front perspective view thereof with the bottom compartment in an open position and showing food and water bowls.
FIG. 5 is a front elevational view of FIG. 1.
FIG. 6 is a rear elevational view thereof.
FIG. 7 is a left side view thereof.
FIG. 8 is a right side view thereof.
FIG. 9 is a bottom view thereof; and,
FIG. 10 is a top view thereof.

The broken lines showing in the figures of the items inside the kit and the bowls in the bottom compartment of the kit depict environmental subject matter and form no part of the claimed design.

1 Claim, 8 Drawing Sheets



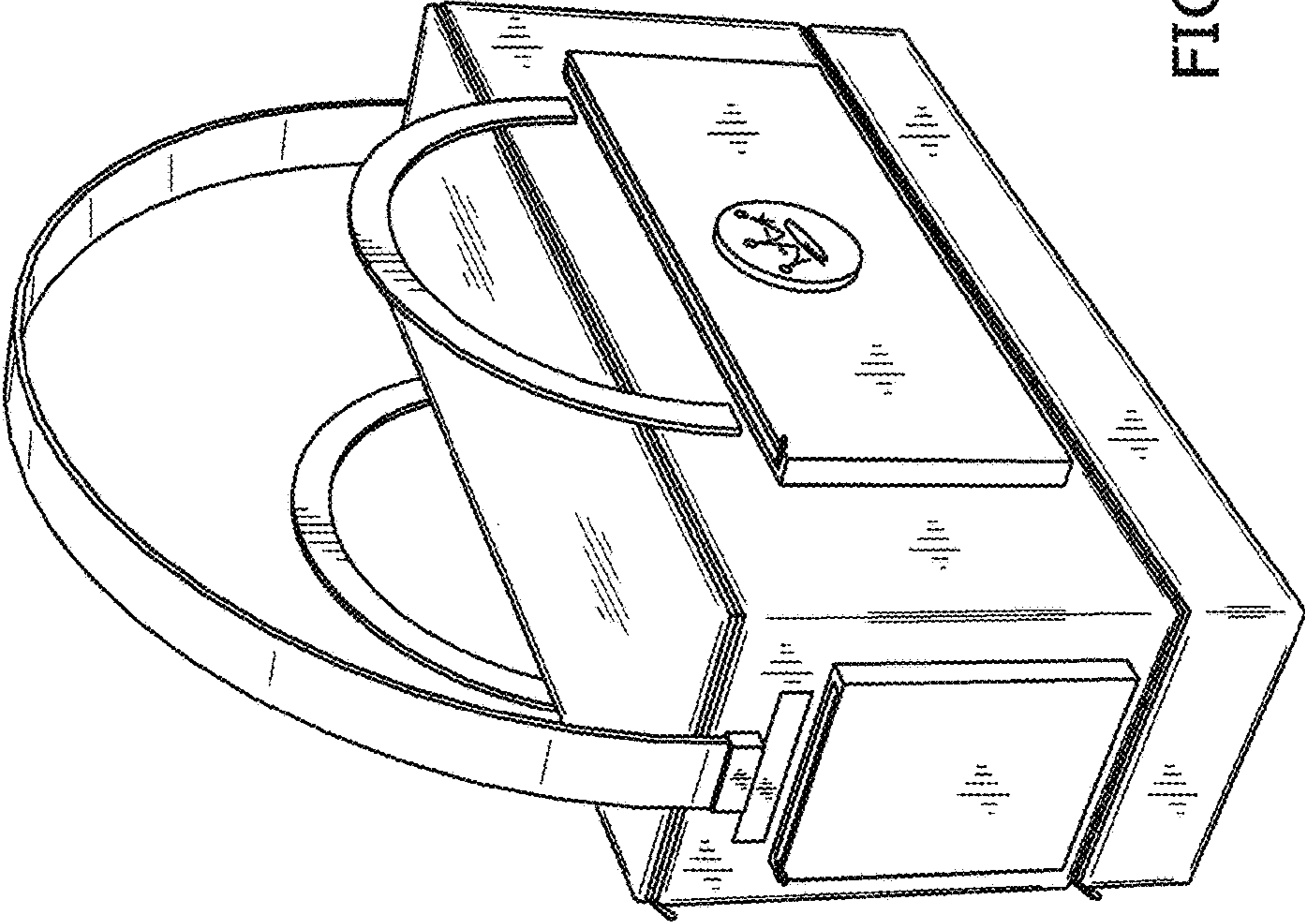


FIG. 1

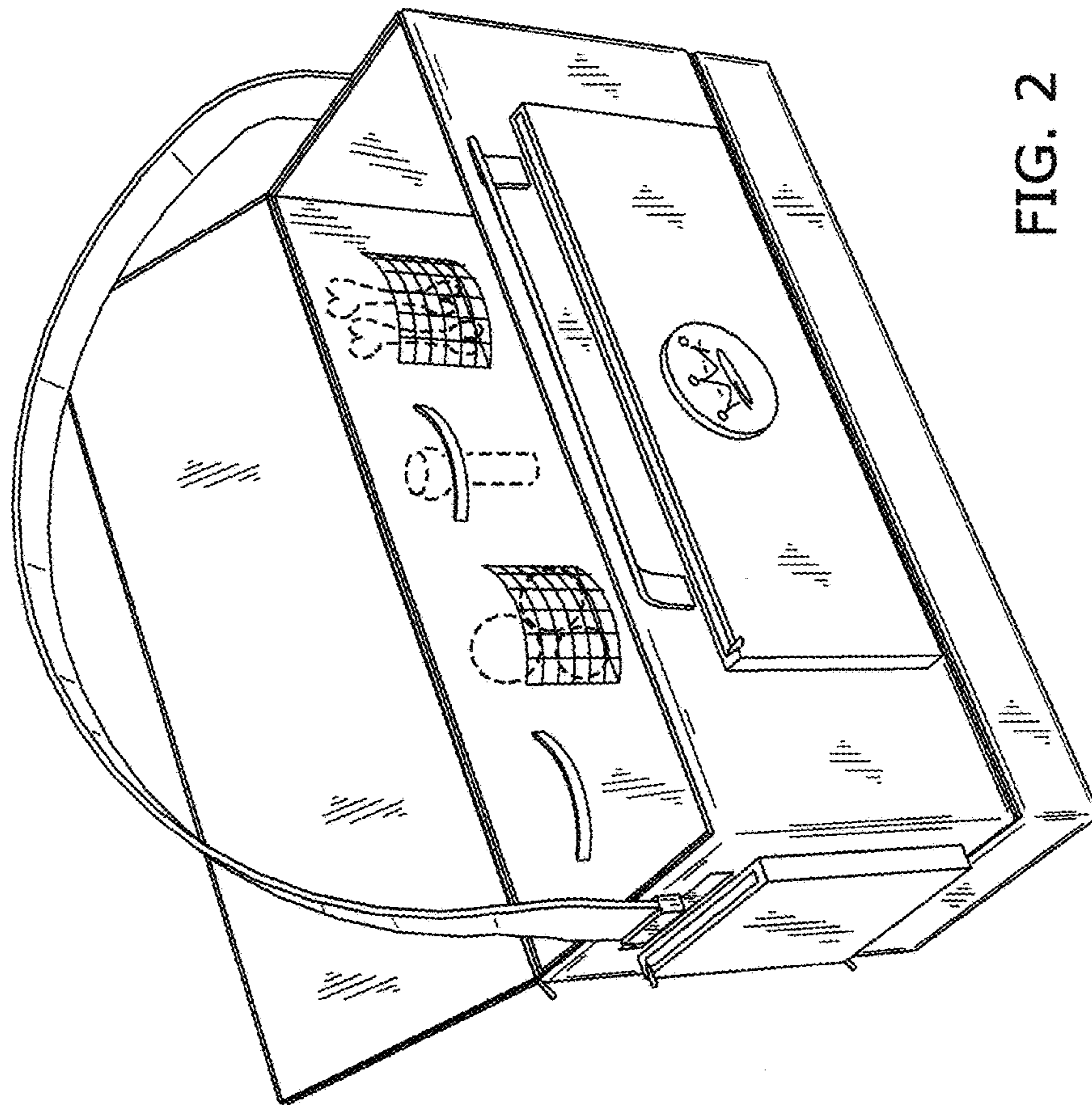


FIG. 2

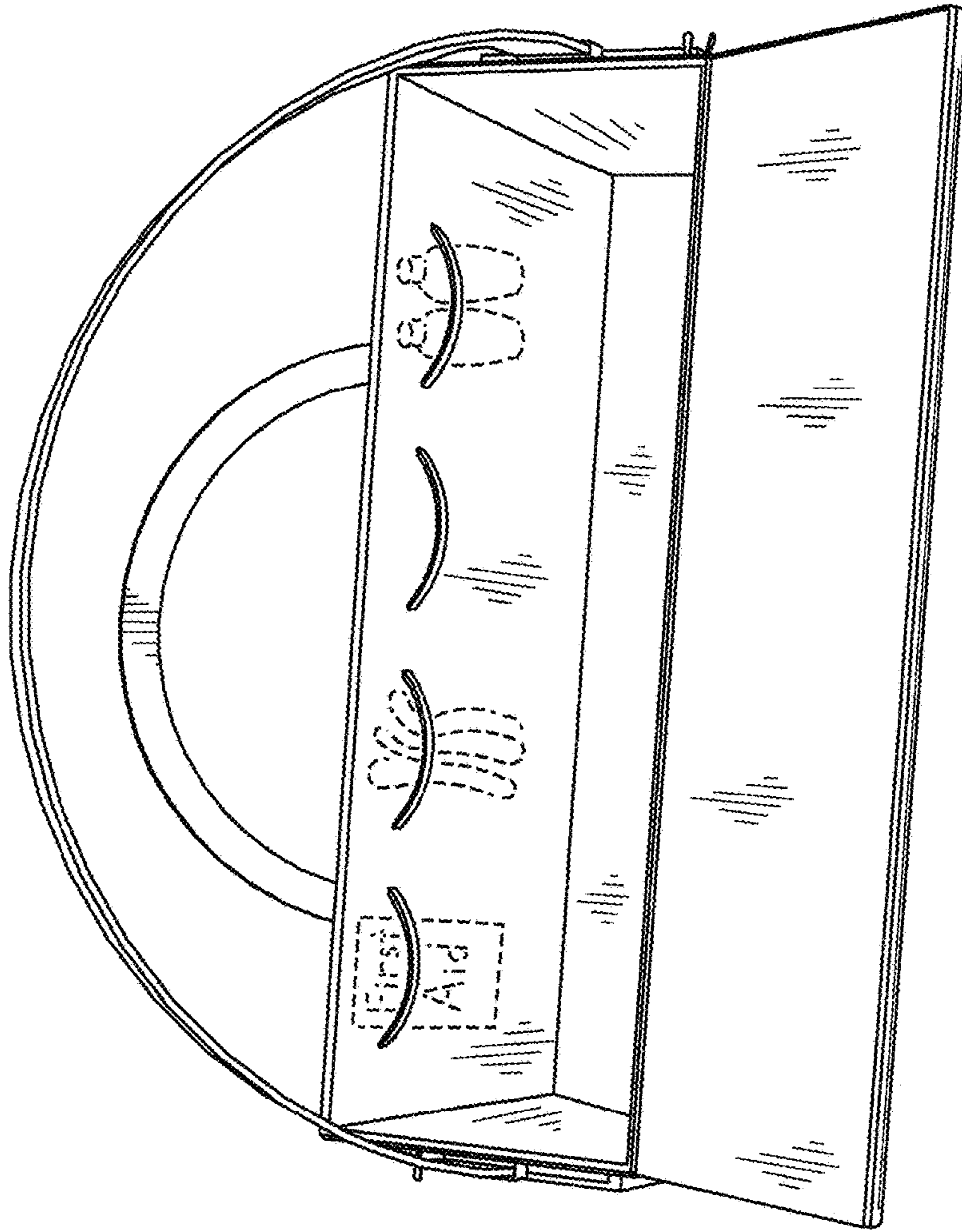


FIG. 3

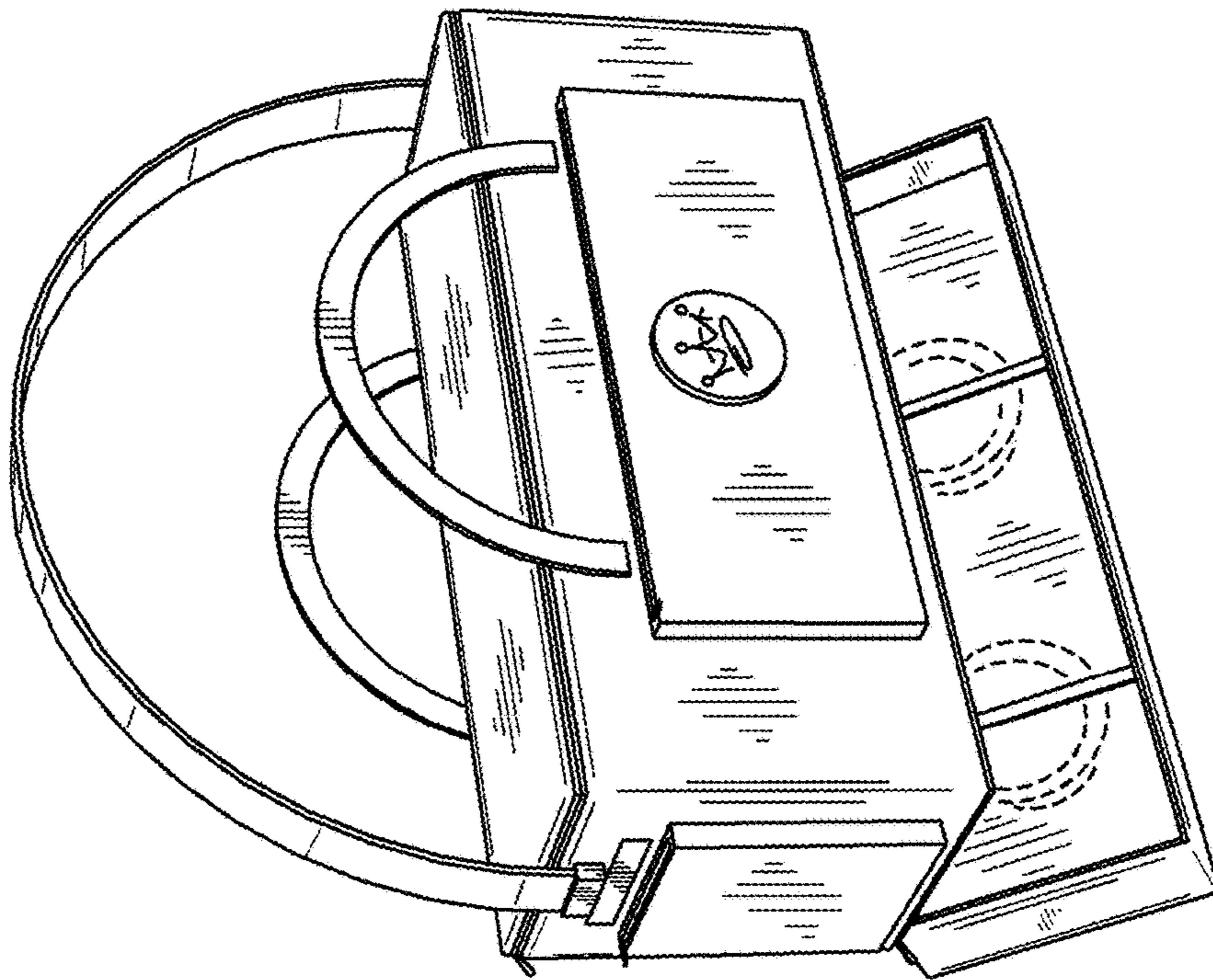


FIG. 4

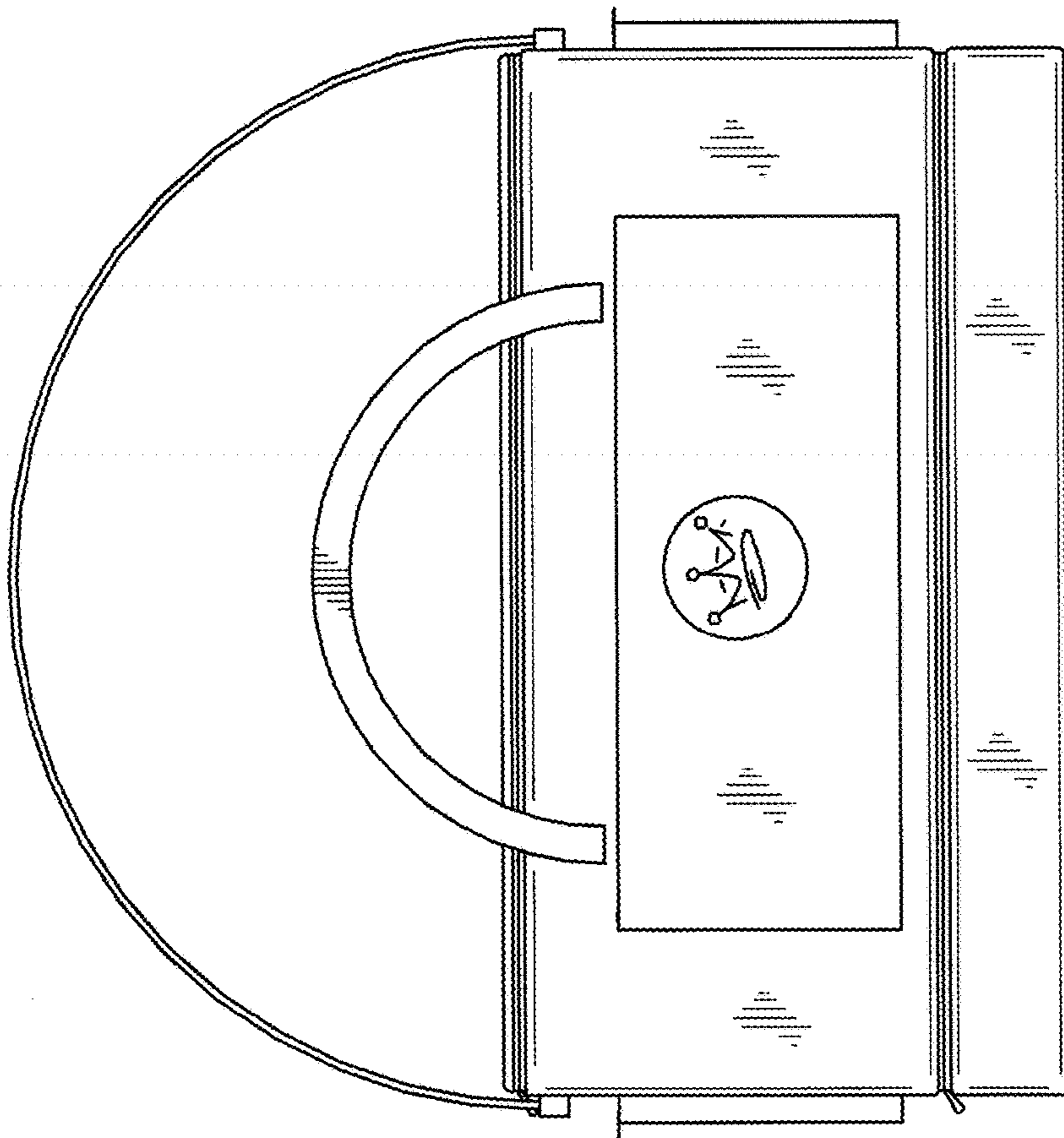


FIG. 5

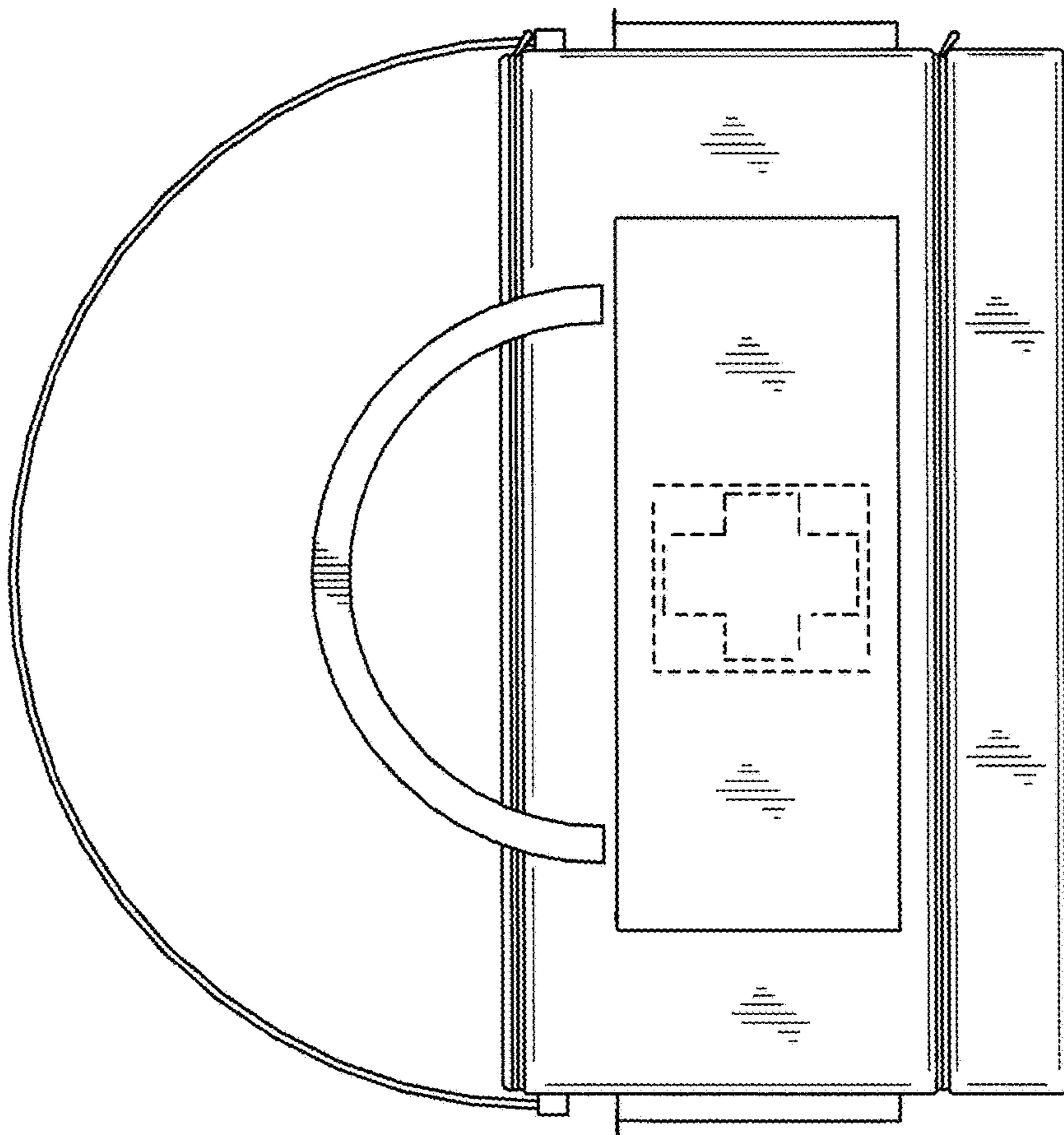


FIG. 6

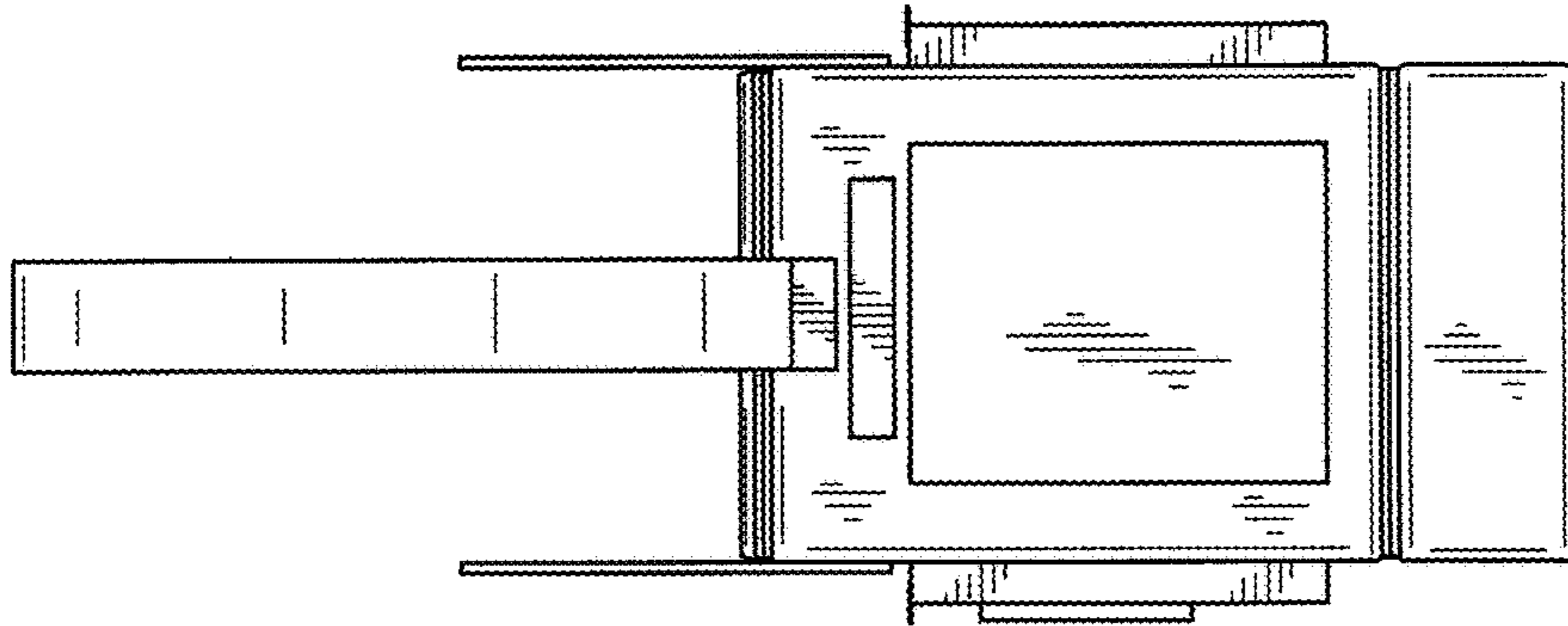


FIG. 8

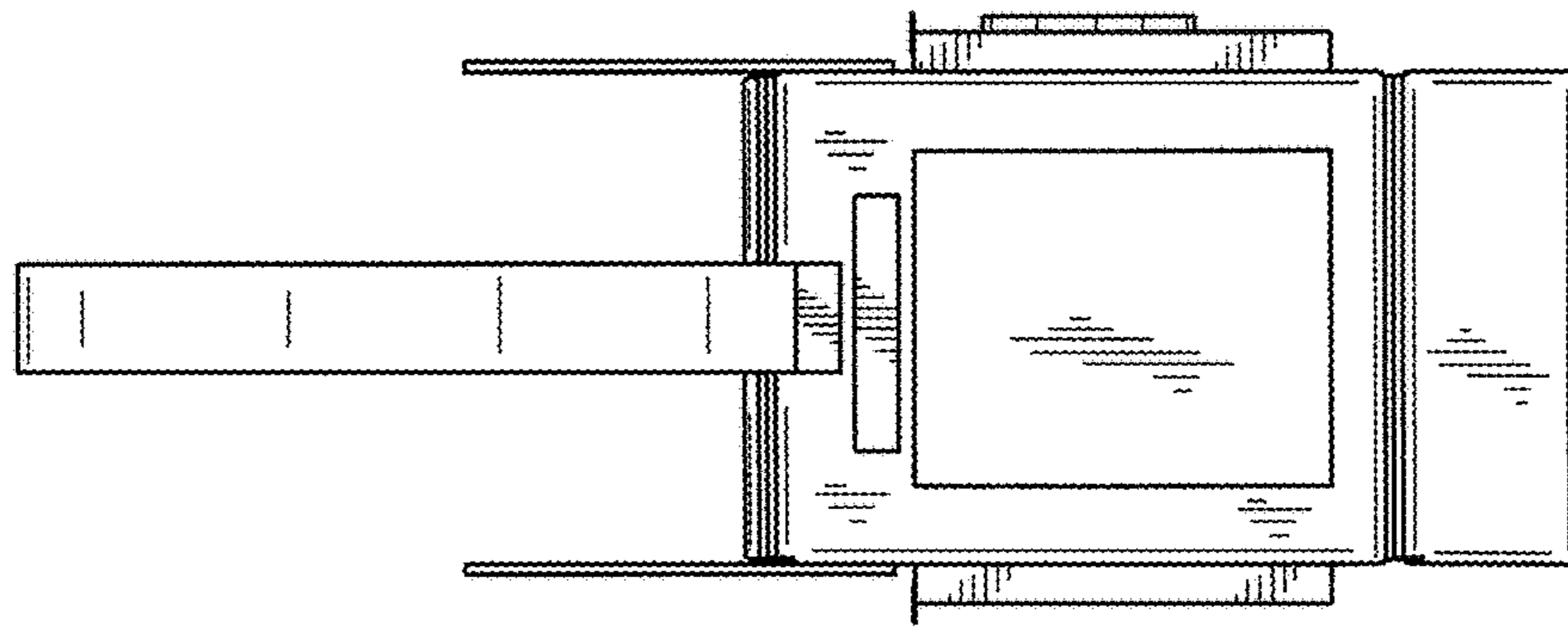


FIG. 7

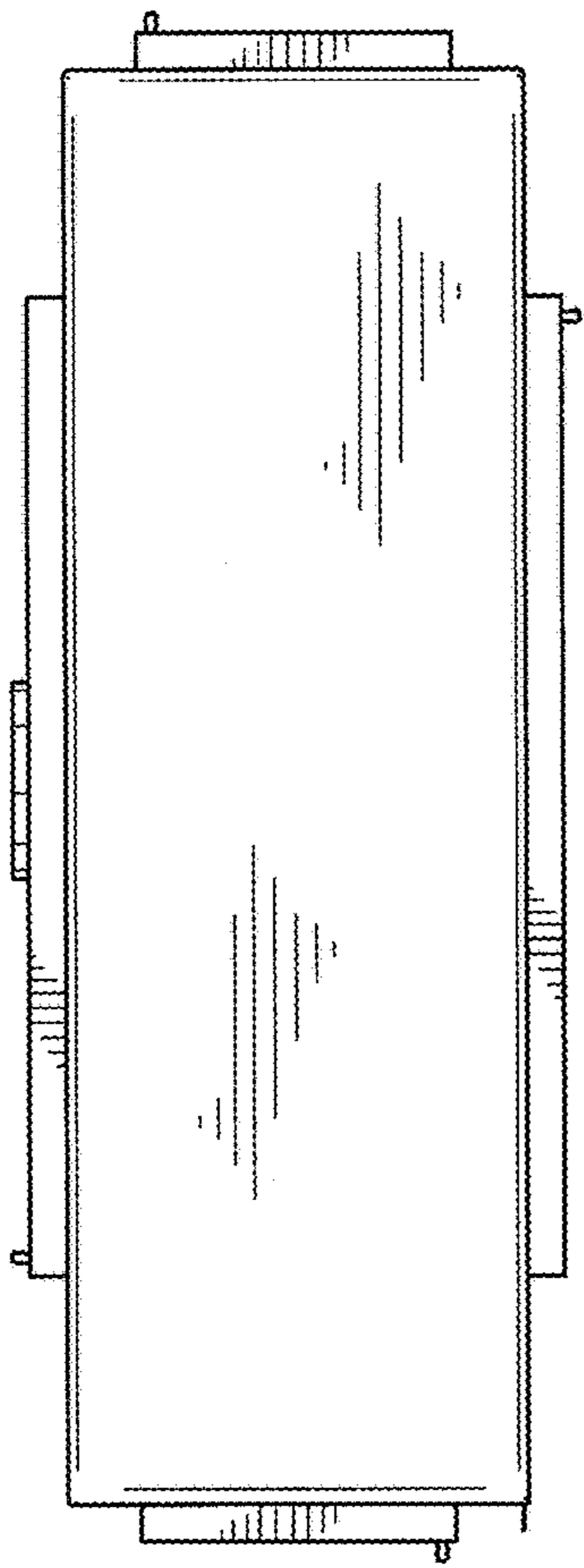


FIG. 9

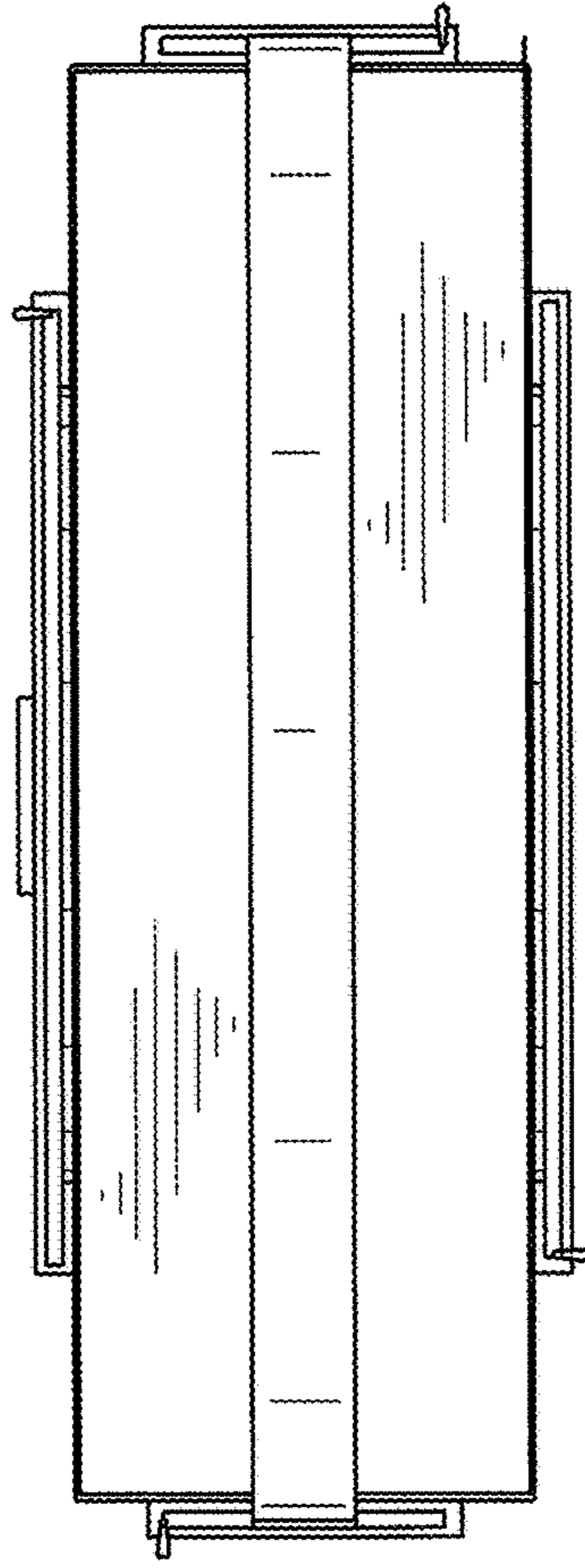


FIG. 10