



US00D859820S

(12) **United States Design Patent** (10) **Patent No.:** **US D859,820 S**  
**Mouriz** (45) **Date of Patent:** **\*\* Sep. 17, 2019**

- (54) **MOBILE DEVICE CARRYING CASE**
- (71) Applicant: **HERA CASES LLC**, Miami, FL (US)
- (72) Inventor: **Ashley Mouriz**, Miami, FL (US)
- (73) Assignee: **HERA CASES LLC**, Miami, FL (US)
- (\*\*) Term: **15 Years**
- (21) Appl. No.: **29/689,587**
- (22) Filed: **Apr. 30, 2019**

**Related U.S. Application Data**

- (63) Continuation-in-part of application No. 29/639,592, filed on Mar. 7, 2018, now Pat. No. Des. 851,920, which is a continuation-in-part of application No. 29/651,099, filed on Mar. 5, 2018, which is a continuation-in-part of application No. 29/622,460, filed on Oct. 17, 2017, now Pat. No. Des. 840,678.
- (51) **LOC (12) Cl.** ..... **03-01**
- (52) **U.S. Cl.**  
USPC ..... **D3/218**
- (58) **Field of Classification Search**  
USPC ..... D3/218, 215, 201, 219, 224, 226, 228, D3/232, 205, 269, 303; 224/600, 605, 224/625, 682-683, 674, 930; 206/305, 206/320; 455/575.1-575.8; 379/455  
CPC ..... A45C 2011/002; A45C 11/26; A45F 5/00; A45F 5/02; A45F 5/021; A45F 2200/0516; A45F 3/02; A45F 3/14  
See application file for complete search history.

- (56) **References Cited**
- U.S. PATENT DOCUMENTS
- |              |         |                  |        |
|--------------|---------|------------------|--------|
| D631,650 S * | 2/2011  | Li .....         | D3/218 |
| D720,924 S * | 1/2015  | Emmitt .....     | D3/218 |
| D723,795 S * | 3/2015  | Kalbach .....    | D3/218 |
| D818,263 S * | 5/2018  | Broadhurst ..... | D3/218 |
| D830,055 S * | 10/2018 | Miller .....     | D3/218 |

\* cited by examiner

*Primary Examiner* — Catherine R Oliver-Garcia

(74) *Attorney, Agent, or Firm* — Mark Terry

(57) **CLAIM**

The ornamental design for a mobile device carrying case, as shown and described.

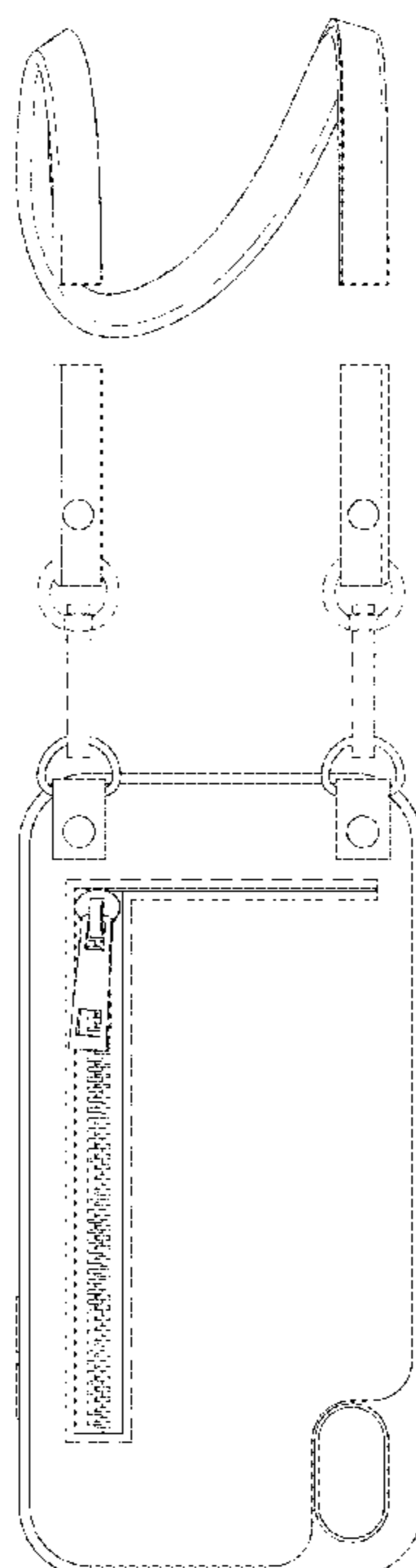
**DESCRIPTION**

FIG. 1 is a rear view of a mobile device carrying case, showing the new design;  
 FIG. 2 is a right side view thereof;  
 FIG. 3 is a left side view thereof;  
 FIG. 4 is a top view thereof;  
 FIG. 5 is a bottom view thereof;  
 FIG. 6 is a front view thereof.  
 FIG. 7 is a rear perspective view thereof;  
 FIG. 8 is another rear perspective view thereof;  
 FIG. 9 is a front perspective view thereof; and,  
 FIG. 10 is a top perspective view thereof.

The uniformly dashed lines shown in the drawings illustrate portions of the mobile device carrying case which form no part of the claimed design.

The strap is shown broken away to indicate that no particular length is claimed, and any portion shown between the breaks forms no part of the claimed design.

**1 Claim, 5 Drawing Sheets**



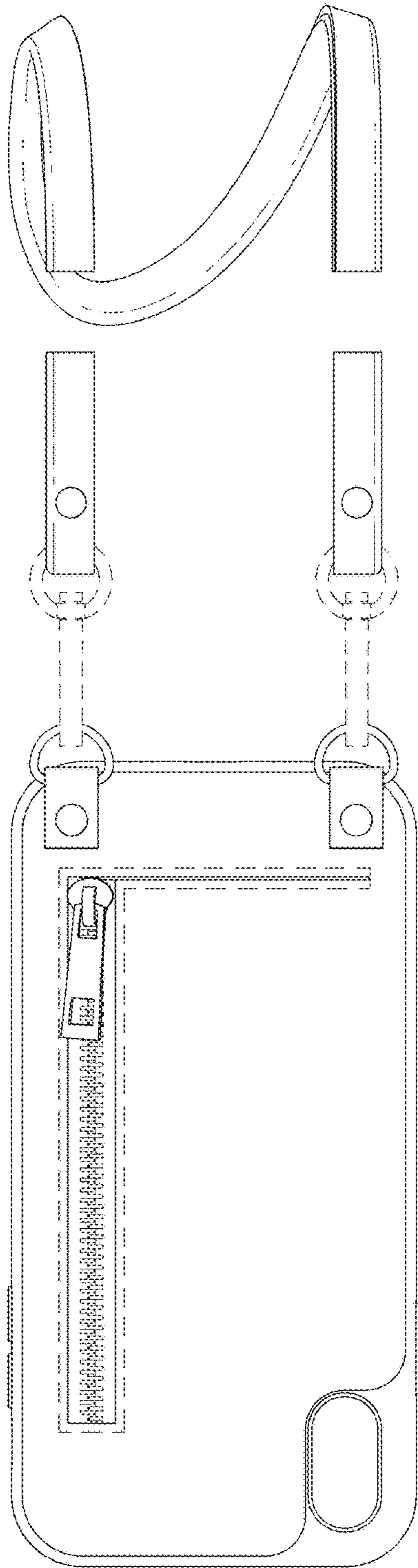


Fig. 1

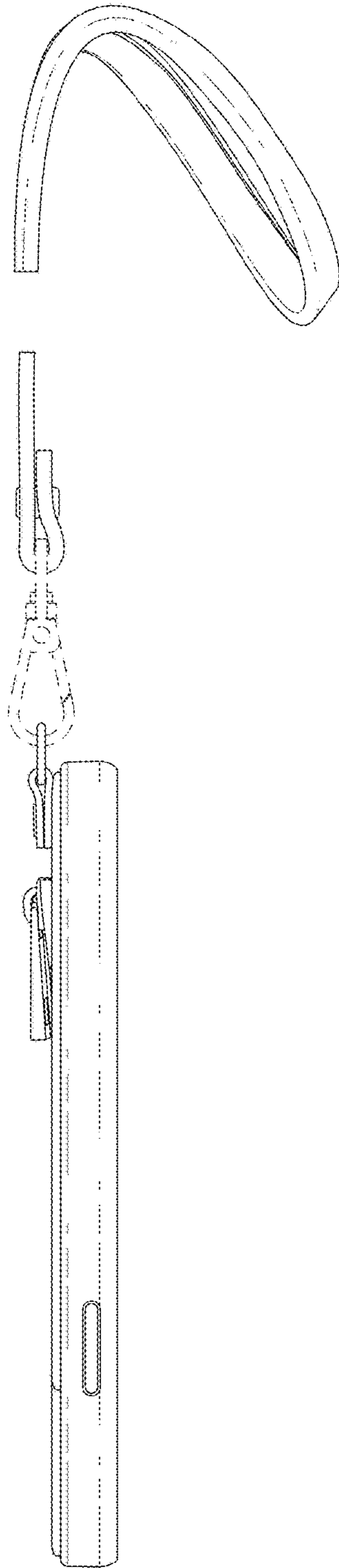


Fig. 2

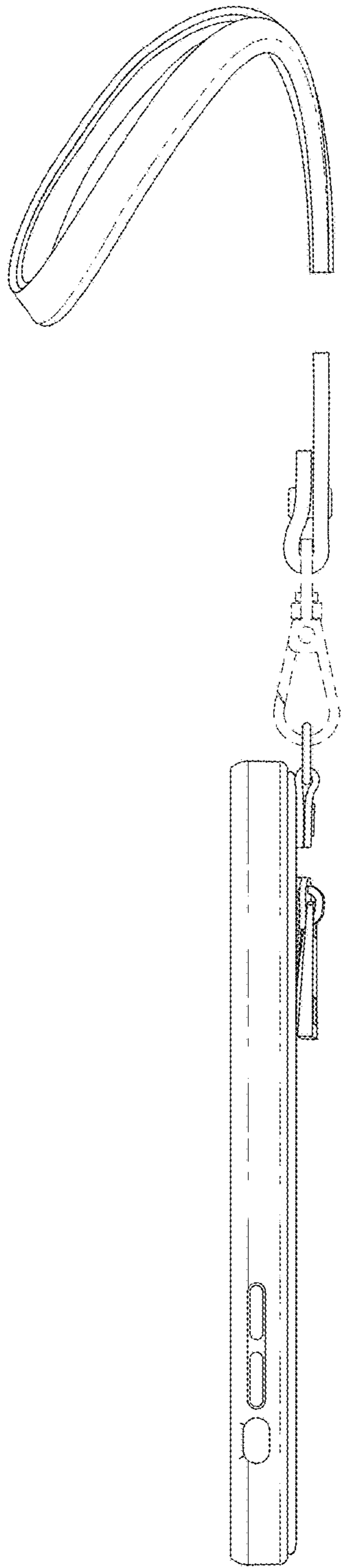


Fig. 3

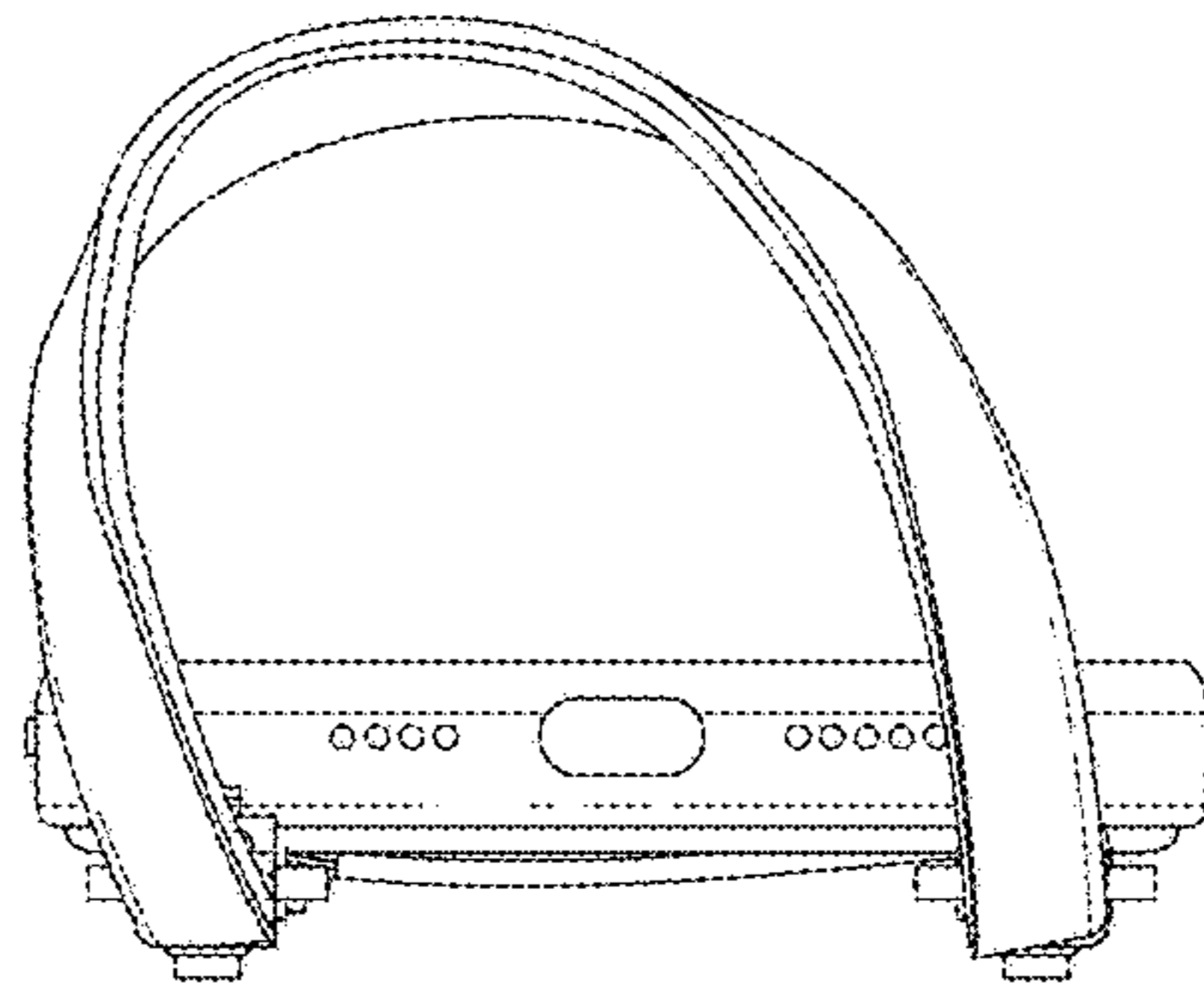


Fig. 4

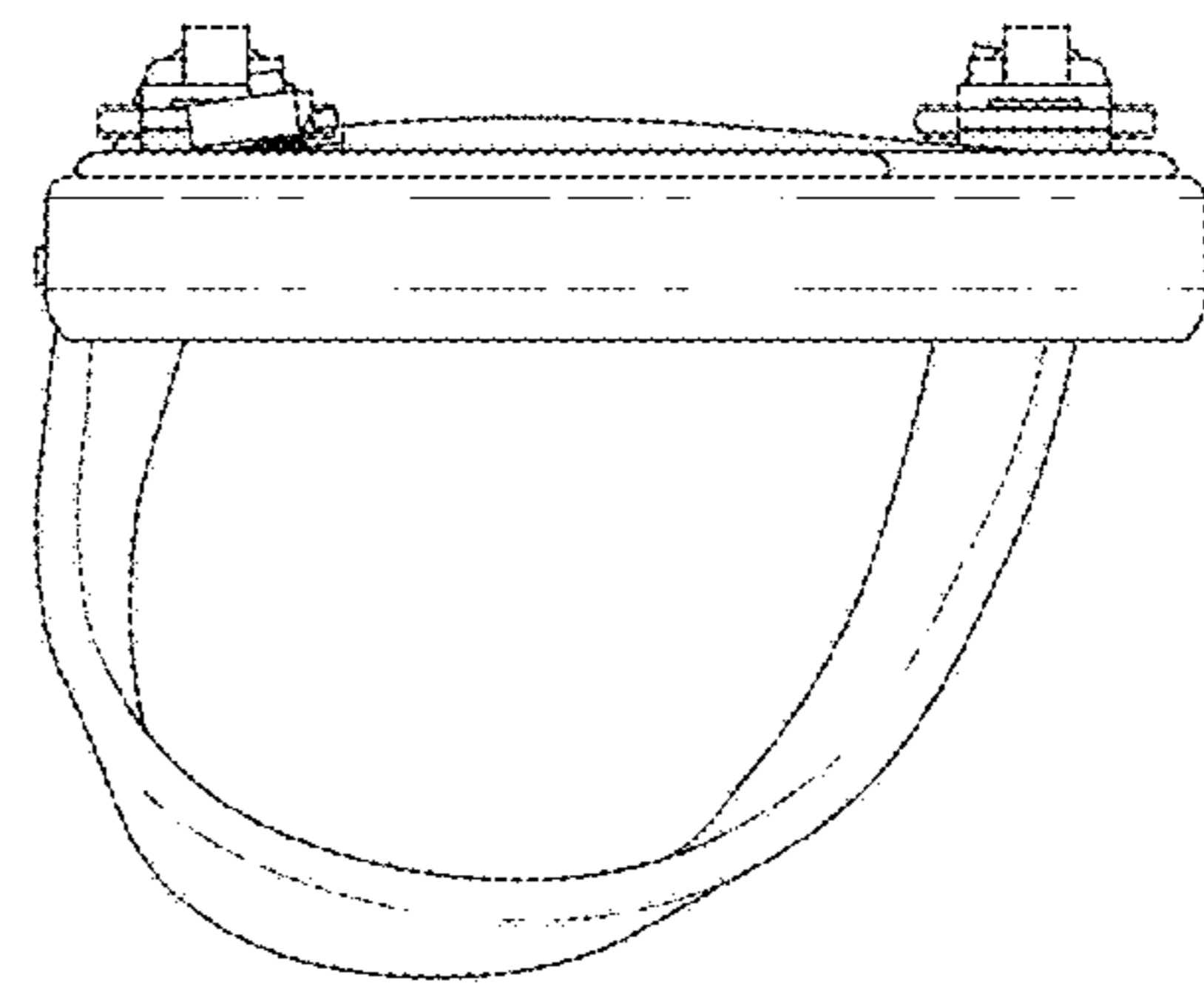


Fig. 5

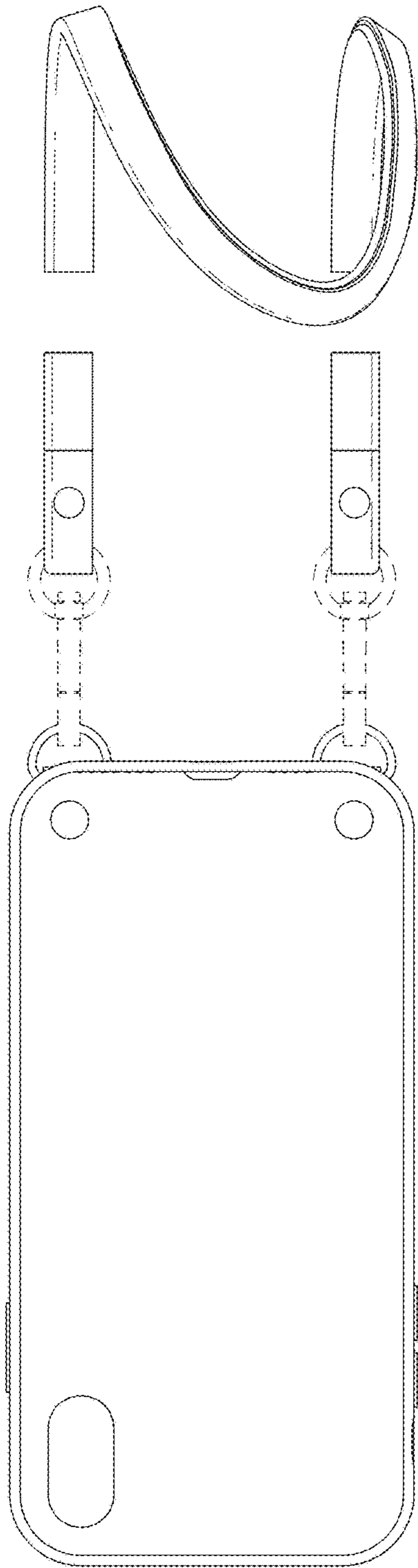


Fig. 6

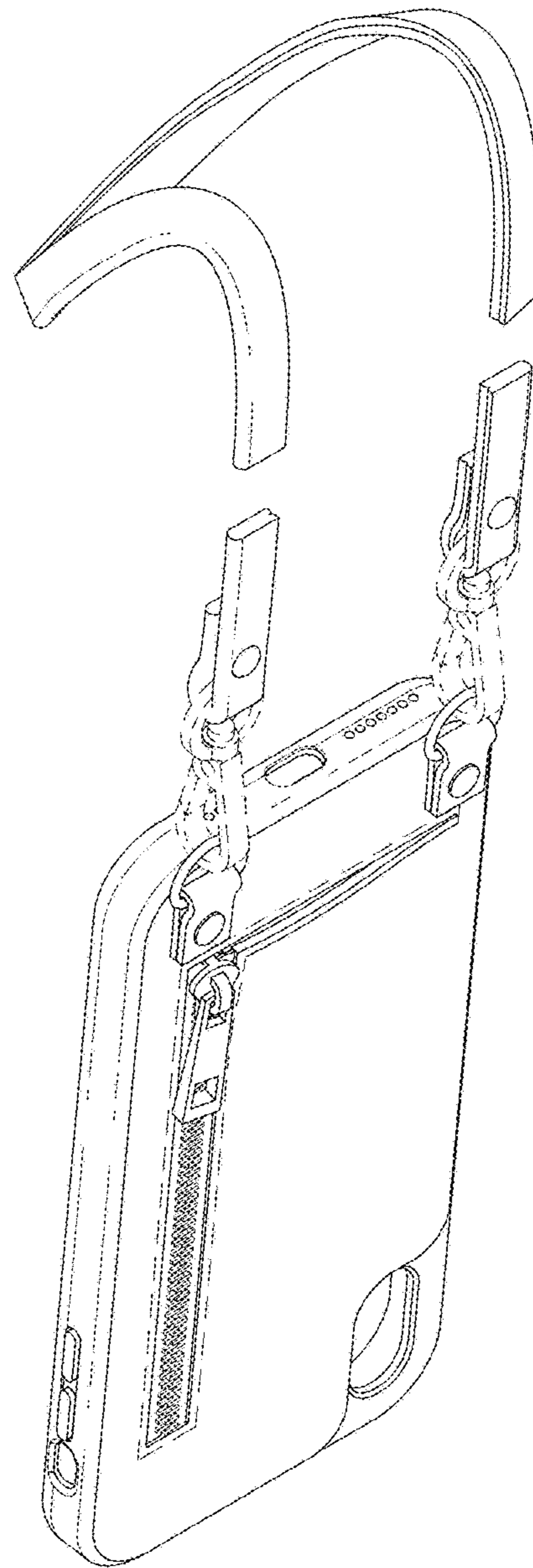


Fig. 7

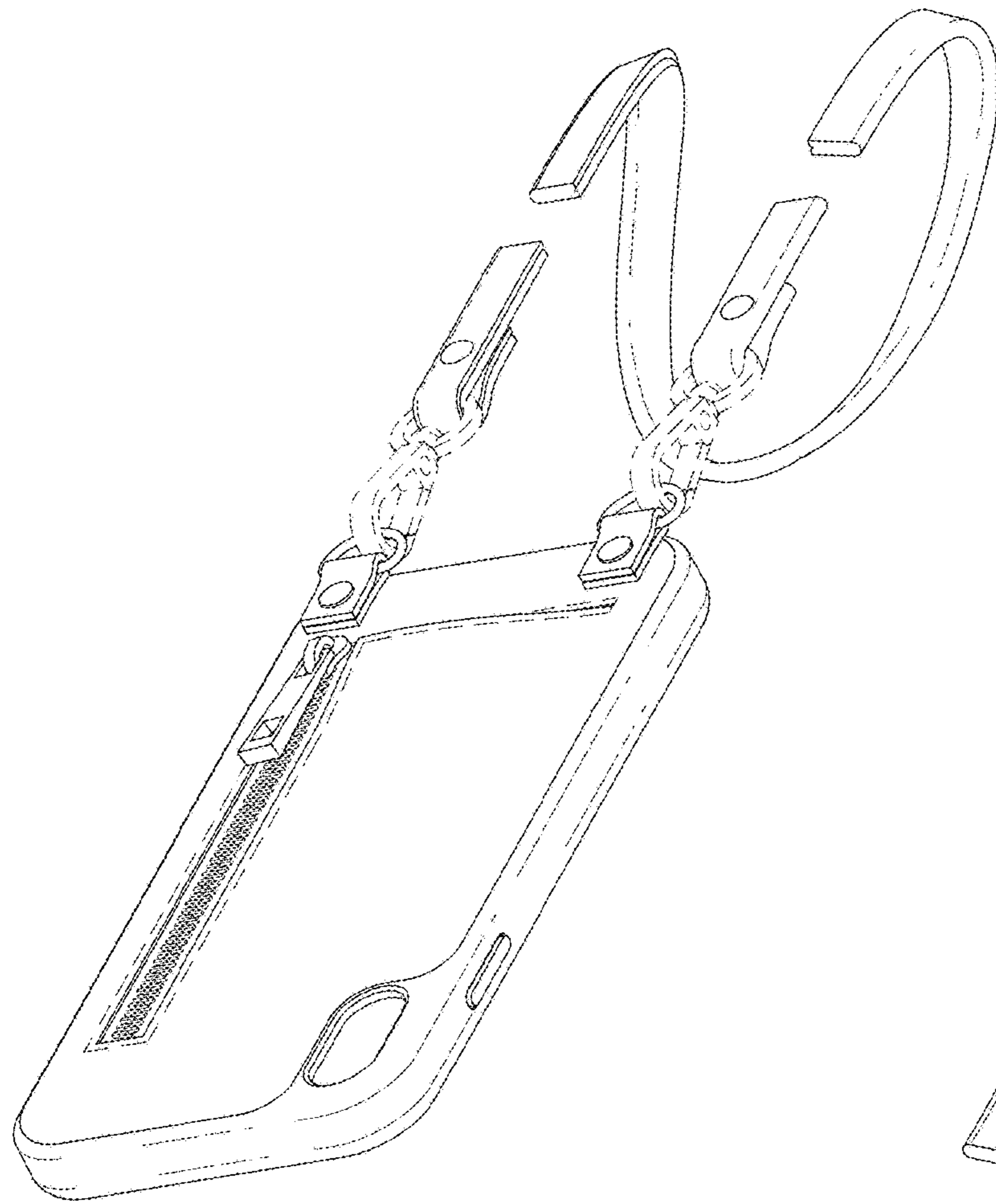


Fig. 8

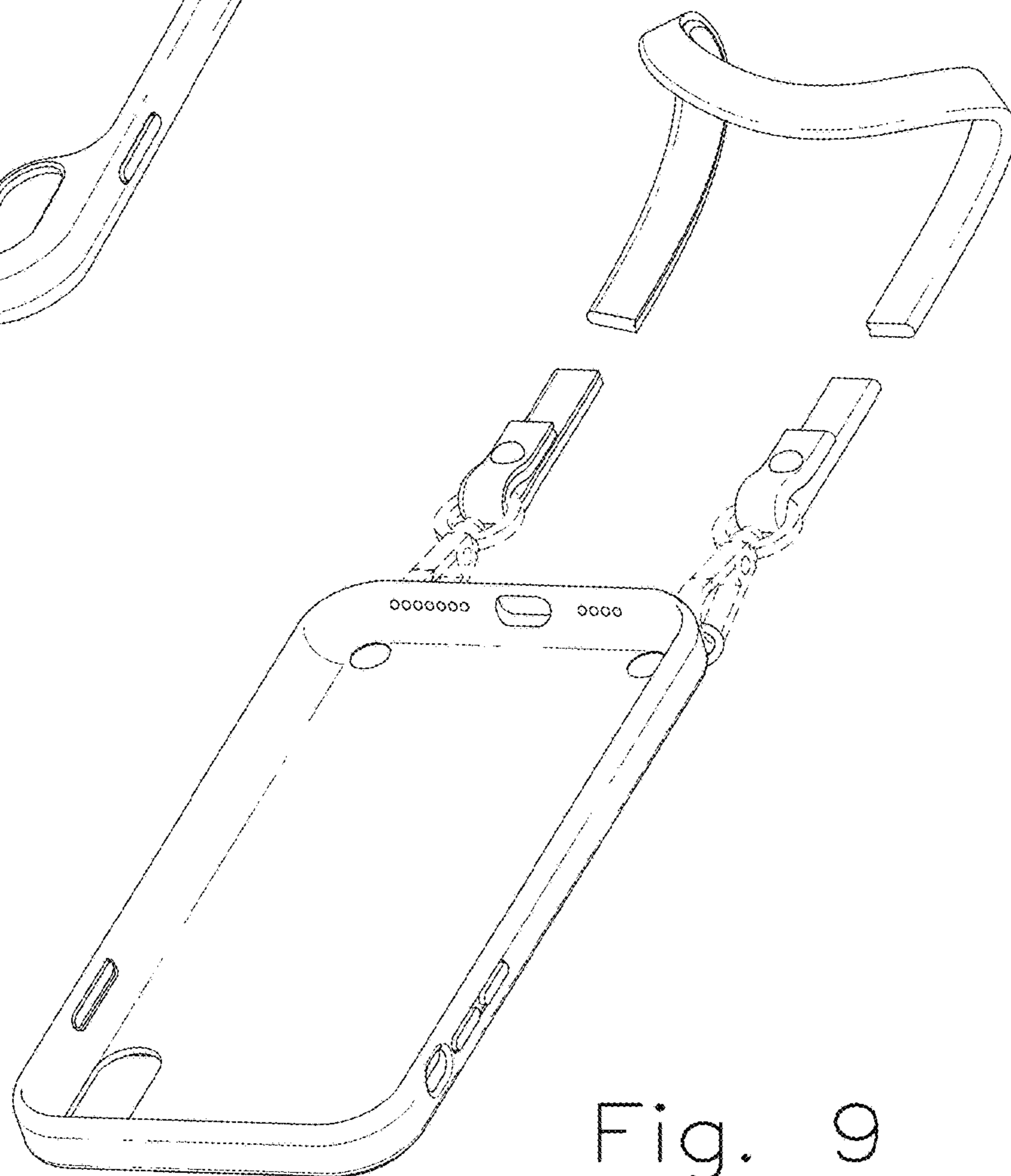


Fig. 9

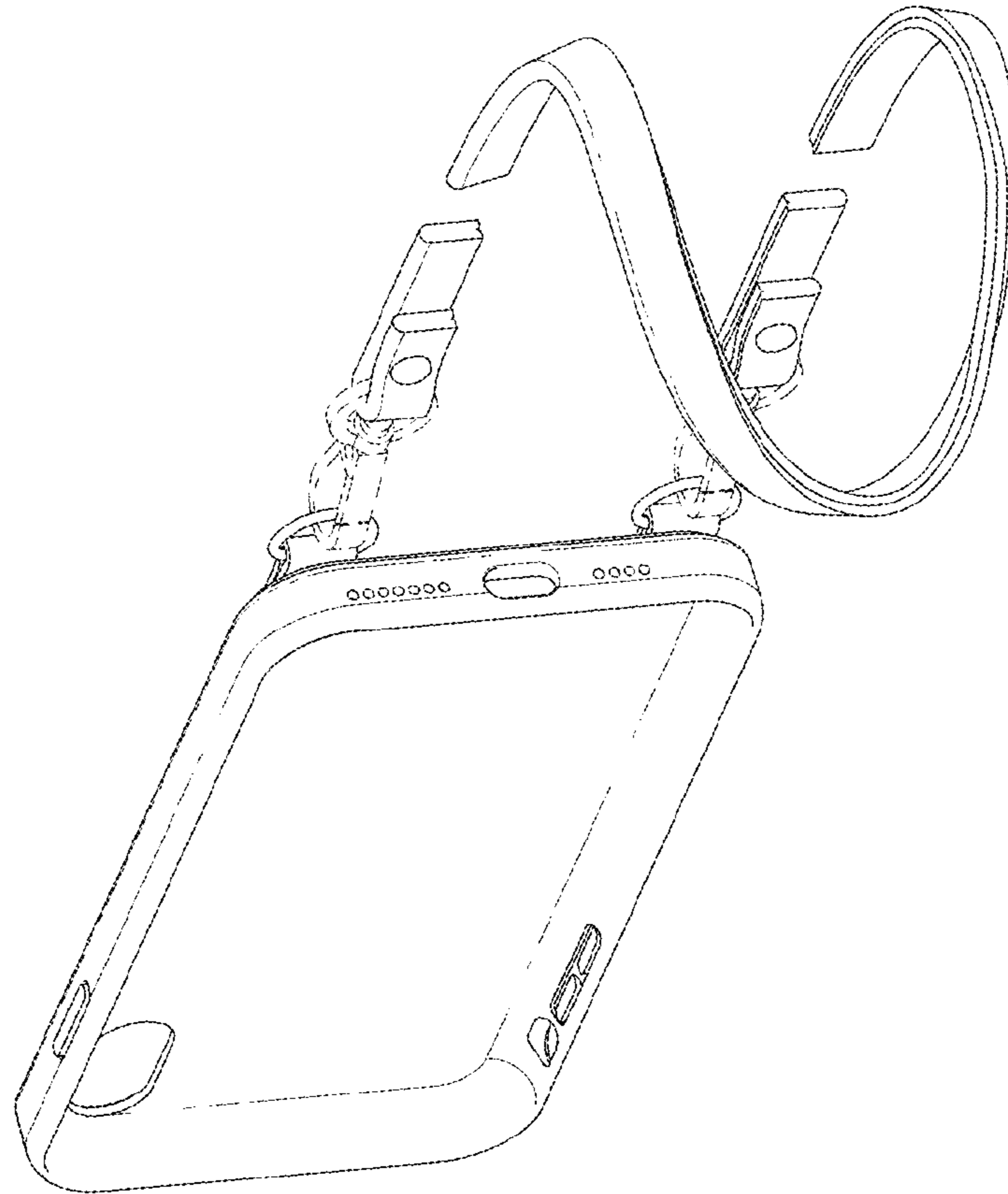


Fig. 10