



US00D859819S

(12) **United States Design Patent** (10) **Patent No.:** **US D859,819 S**
Mather (45) **Date of Patent:** **** Sep. 17, 2019**

- (54) **BACKPACK**
- (71) Applicant: **Thule, Inc.**, Seymour, CT (US)
- (72) Inventor: **Ryan Mather**, Boulder, CO (US)
- (73) Assignee: **Thule, Inc.**, Seymour, CT (US)
- (**) Term: **15 Years**
- (21) Appl. No.: **29/679,381**
- (22) Filed: **Feb. 5, 2019**

Related U.S. Application Data

- (63) Continuation of application No. 29/607,904, filed on Jun. 16, 2017, now Pat. No. Des. 840,157.
- (51) **LOC (12) Cl.** **03-01**
- (52) **U.S. Cl.**
USPC **D3/217**
- (58) **Field of Classification Search**
USPC D3/201, 215, 216, 217, 218, 222, 273,
D3/276, 284, 285, 289, 290, 291, 900
CPC A45C 3/02; A45C 2003/008; A45C 5/03;
A45C 2011/003; A45C 5/00; A45C
2005/032; A45C 5/08; A45C 5/14; A45F
3/04
See application file for complete search history.

(56) **References Cited**

U.S. PATENT DOCUMENTS

D508,315 S	8/2005	Han	
D513,715 S	1/2006	Fayle et al.	
D550,449 S	9/2007	Gossett	
D699,944 S *	2/2014	Mather	D3/216
D706,534 S *	6/2014	Zwetzig	D3/216
D710,108 S	8/2014	Kinsky et al.	
D734,948 S	7/2015	Farrelly	
D744,721 S	12/2015	Crye	
D770,761 S	11/2016	Deioma et al.	
D784,193 S	4/2017	Freddi et al.	

D784,659 S	4/2017	Darmour	
D802,295 S	11/2017	Wu	
D819,328 S *	6/2018	Muhlenkamp, IV	D3/217
D829,435 S *	10/2018	Viger	D3/217
10,092,071 B1 *	10/2018	Sutovsky	A45F 3/04
D836,326 S *	12/2018	Skaff	D3/217
D843,714 S *	3/2019	Sheikh	D3/217
D844,319 S *	4/2019	Tan	D3/217
D844,975 S *	4/2019	Munie	D3/217
2002/0139820 A1	10/2002	Godshaw et al.	

(Continued)

OTHER PUBLICATIONS

Amazon, "Thule EnRoute 14L Backpack", First reviewed Jun. 13, 2018. (<https://www.amazon.com/Thule-EnRoute-14L-Backpack/dp/B07HM7LND1>) (Year: 2018).*

(Continued)

Primary Examiner — Jennifer Rivard
Assistant Examiner — April Rivas
(74) *Attorney, Agent, or Firm* — Sterne, Kessler, Goldstein & Fox P.L.L.C.

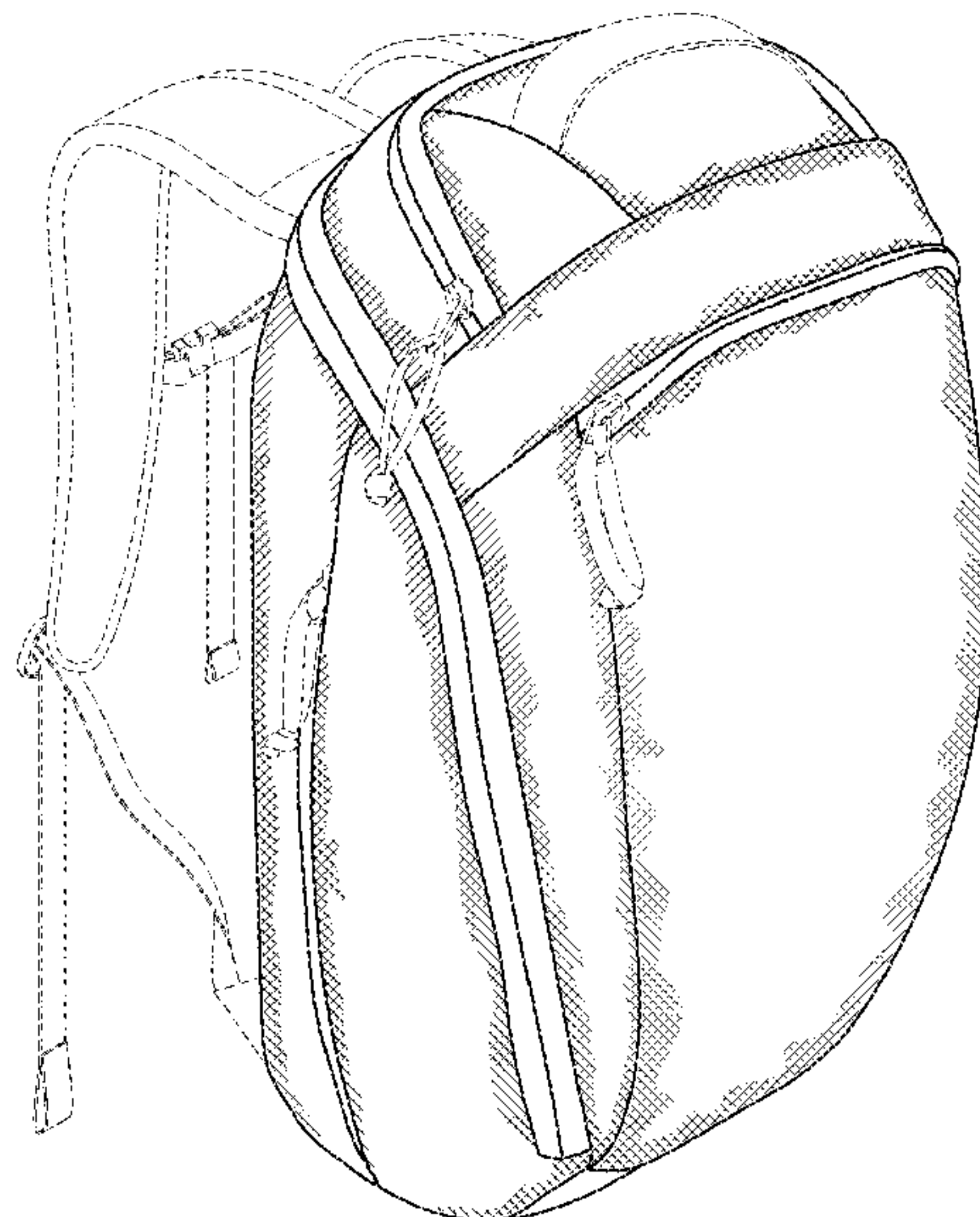
(57) **CLAIM**

The ornamental design for a backpack, as shown and described.

DESCRIPTION

FIG. 1 is a top front perspective view of a backpack showing the claimed design;
FIG. 2 is a front view thereof;
FIG. 3 is a rear view thereof;
FIG. 4 is a right side view thereof;
FIG. 5 is a left side view thereof;
FIG. 6 is a top view thereof; and,
FIG. 7 is a bottom view thereof.
The broken lines in the figures show portions of the backpack that form no part of the claimed design.

1 Claim, 7 Drawing Sheets



(56)

References Cited

U.S. PATENT DOCUMENTS

2010/0108731 A1 5/2010 Rowe et al.
2011/0198374 A1* 8/2011 Majeau A45F 3/04
224/245
2017/0013947 A1* 1/2017 Rowe A45F 3/04
2017/0325573 A1* 11/2017 Sutovsky A45F 3/04
2018/0116359 A1* 5/2018 Demke A45C 15/00

OTHER PUBLICATIONS

Amazon, "XD Design Bobby Original Anti-Theft Laptop Backpack . . .", First reviewed Dec. 19, 2016. (<https://www.amazon.com/dp/B01IBGAWL6/>) (Year: 2016).*

Amazon, "Arcido Faroe Backpack . . .", First on sale Sep. 27, 2016. (<https://www.amazon.com/Arcido-Faroe-Backpack-Adaptable-Compartment/dp/B01N9IRMET/>) (Year: 2016).*

Thule.com, "Thule EnRoute Triumph 2" <https://www.thule.com/en/se/backpacks/laptop-backpacks/thule-enroute-triumph-2-_tl_tetd-215-black>, accessed Aug. 24, 2017.

Thule.com, "Thule EnRoute Backpack 13L" <https://www.thule.com/en/se/backpacks/laptop-backpacks/thule-enroute-backpack-13l_-3203431>, accessed Aug. 24, 2017.

Amazon, "Thule Accent Backpack 28L", First on sale Sep. 21, 2017. (<https://www.amazon.com/dp/B07588P2VLI>).

Amazon, "Thule 3203596 EnRoute Backpack 23L", First on sale Dec. 8, 2017. (<https://www.amazon.com/dp/B078TVX8Y4/>).

Eddie Bauer, "Sorcerer Pack", First reviewed Apr. 15, 2014. (<http://www.eddiebauer.com/product/sorcerer-pack/82302321>).

* cited by examiner

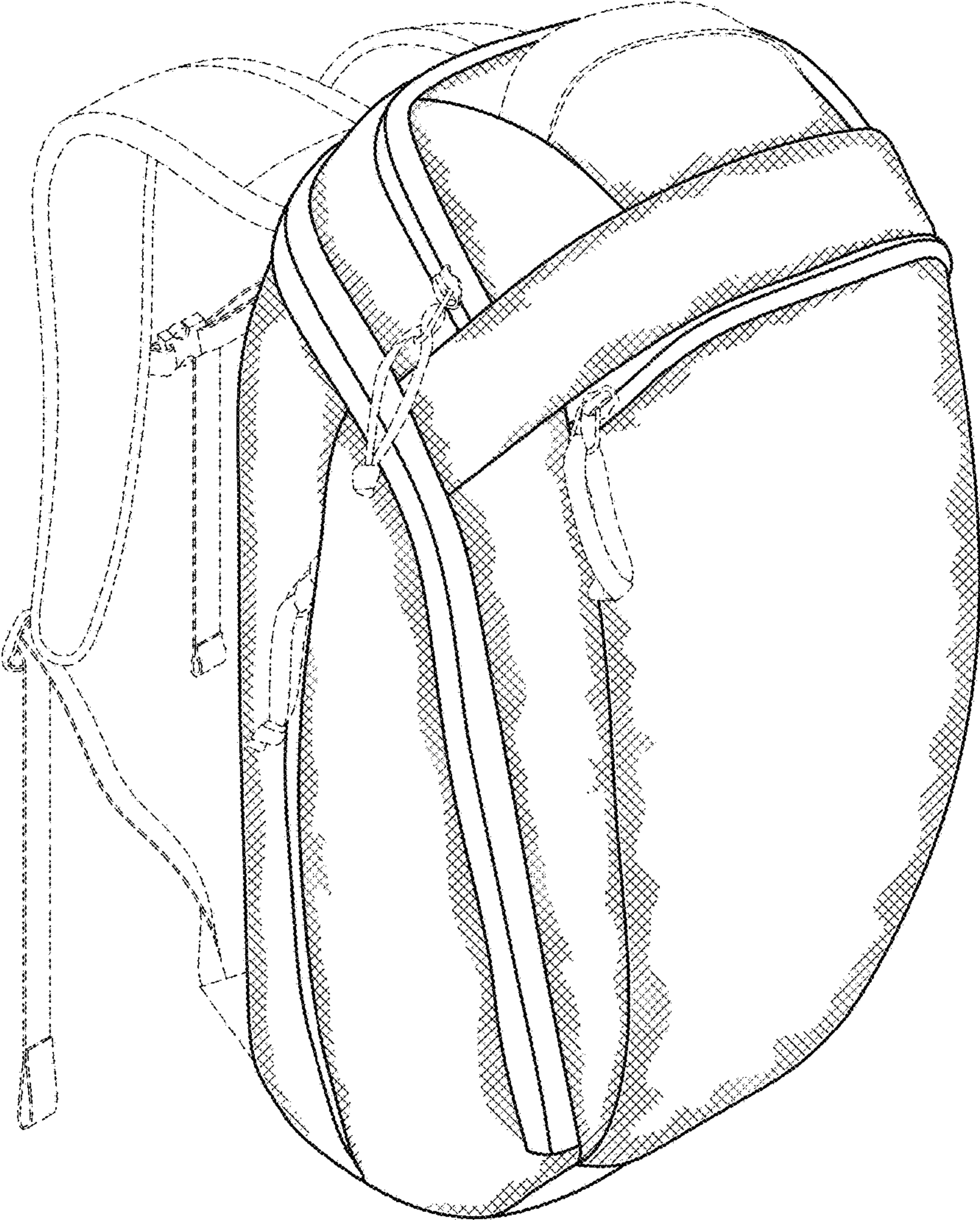


FIG. 1

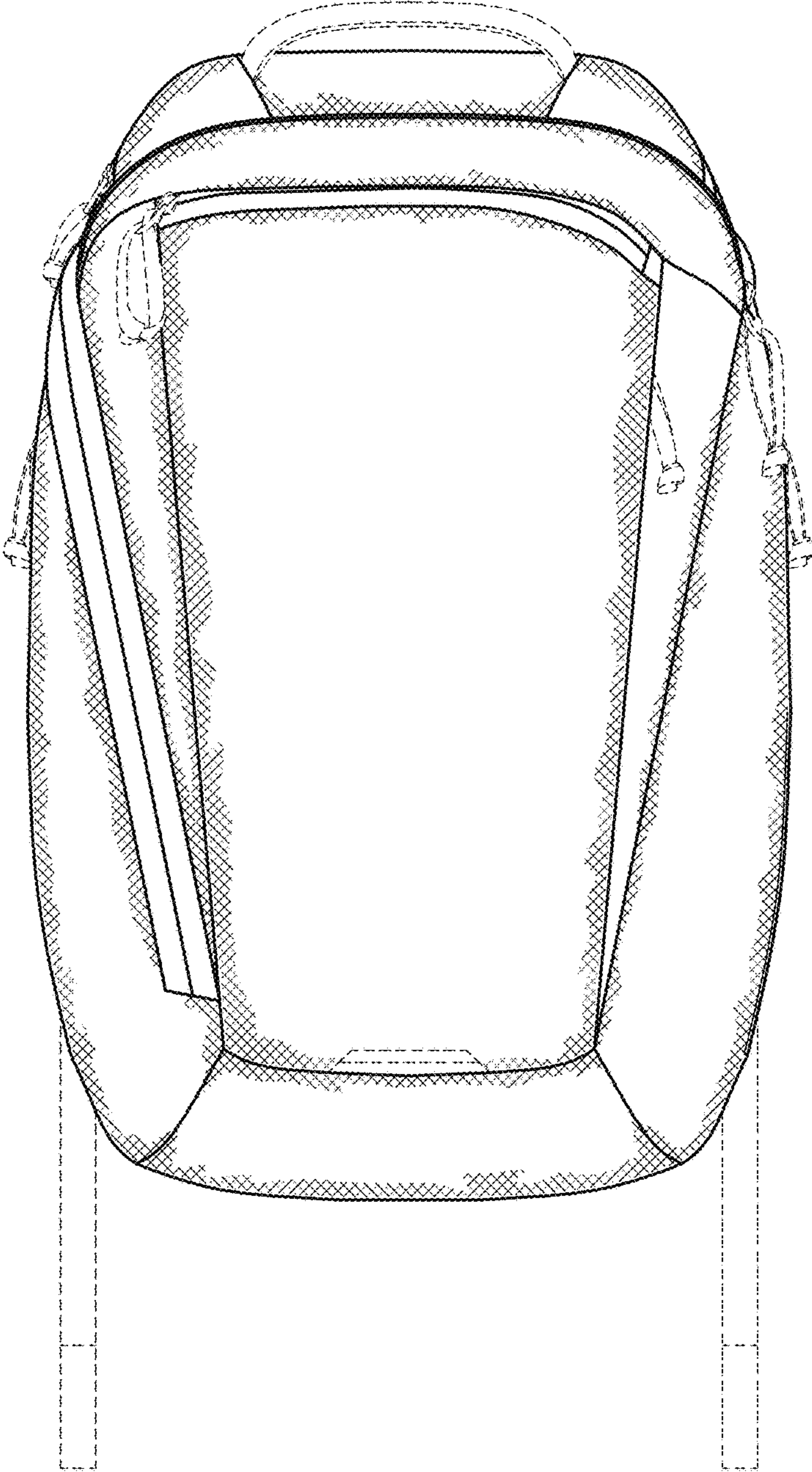


FIG. 2

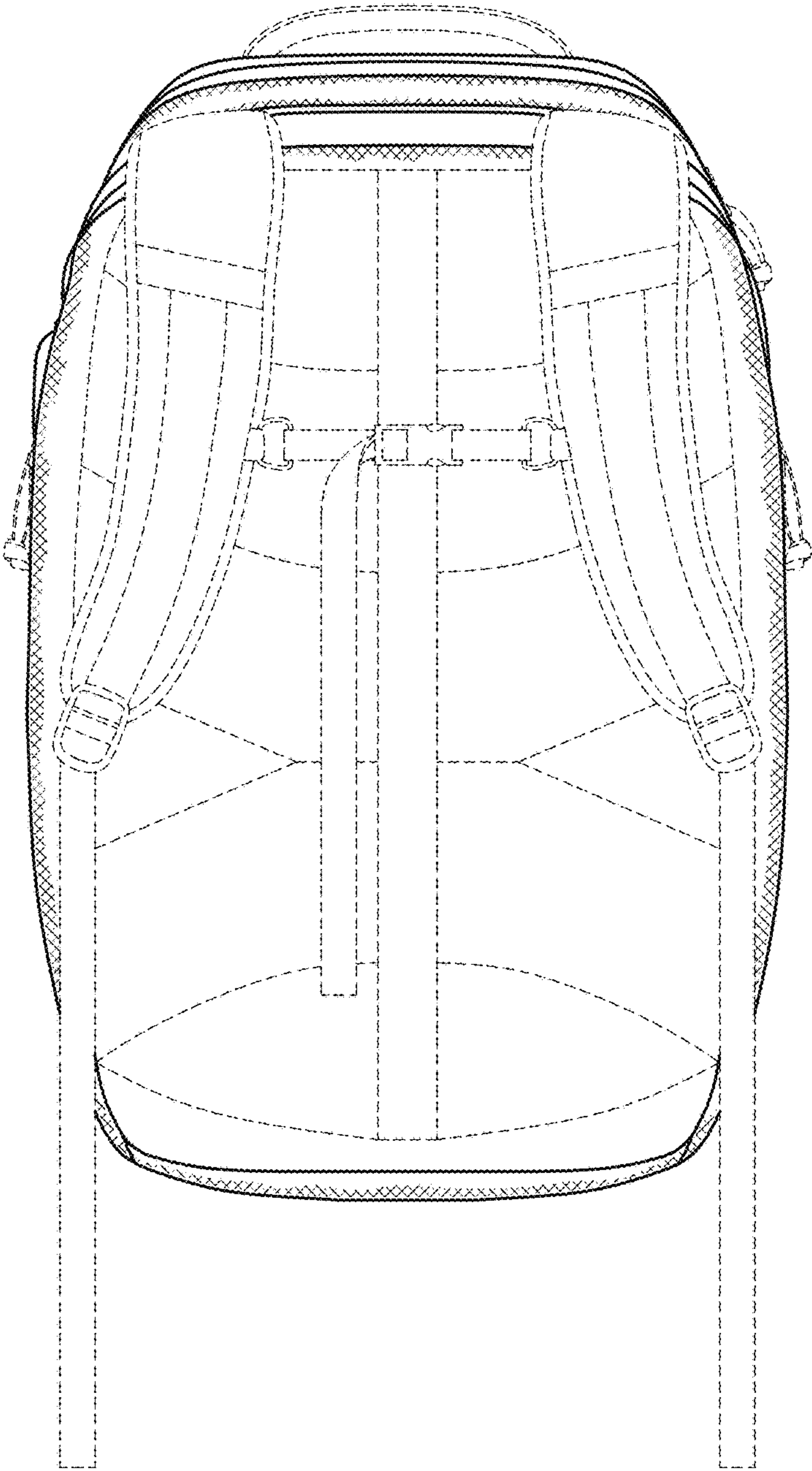


FIG.3

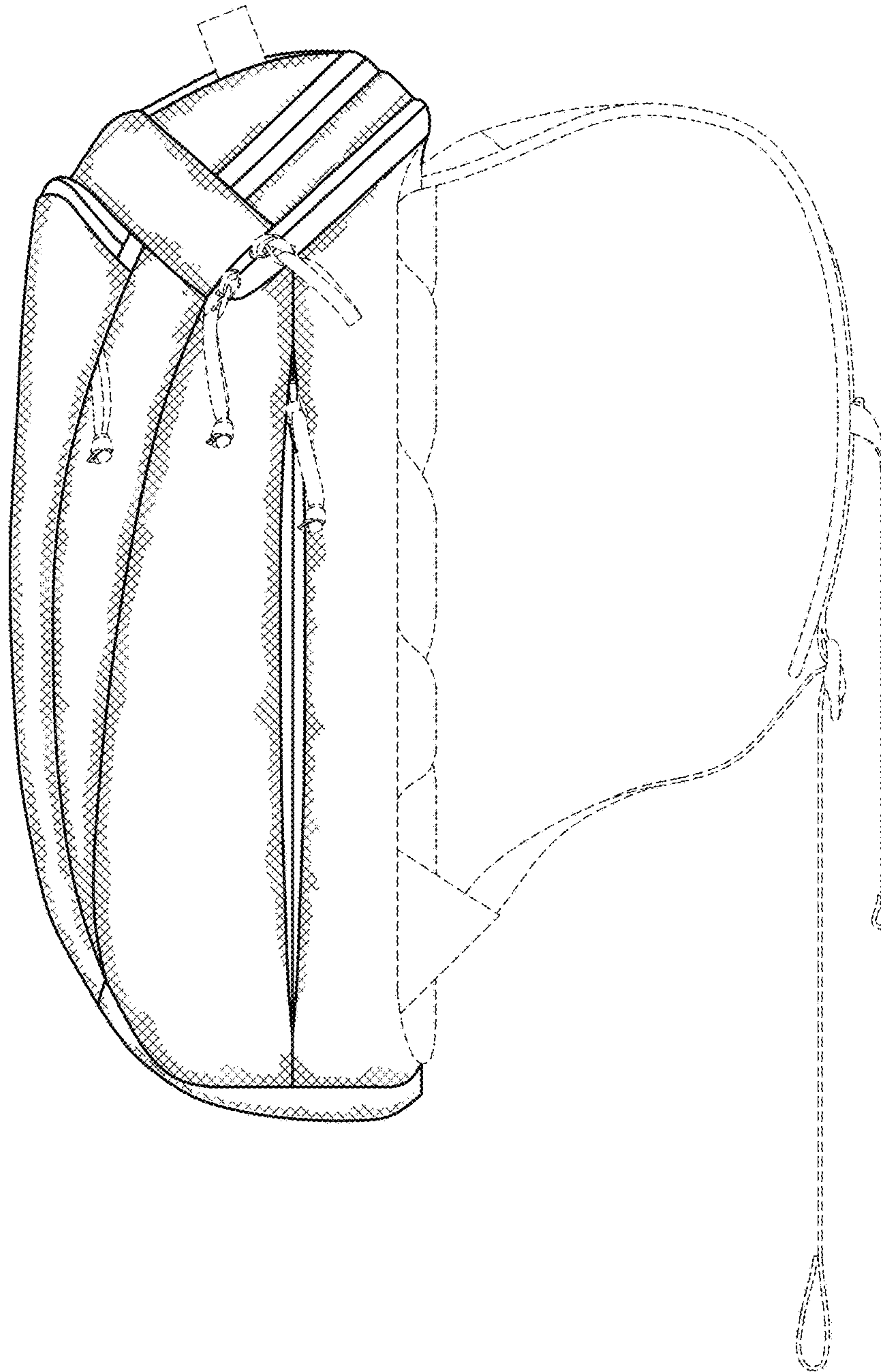


FIG.4

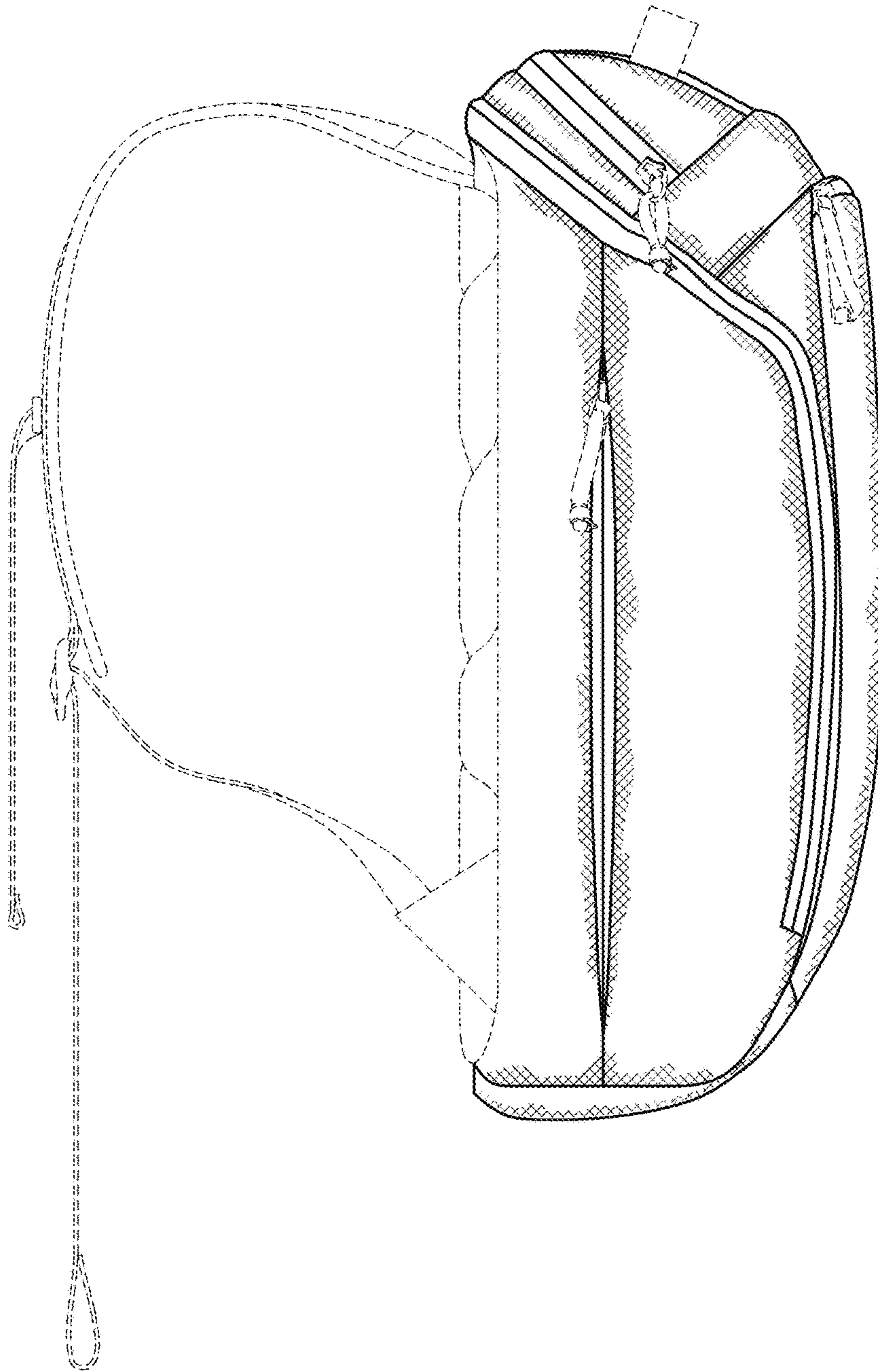


FIG.5

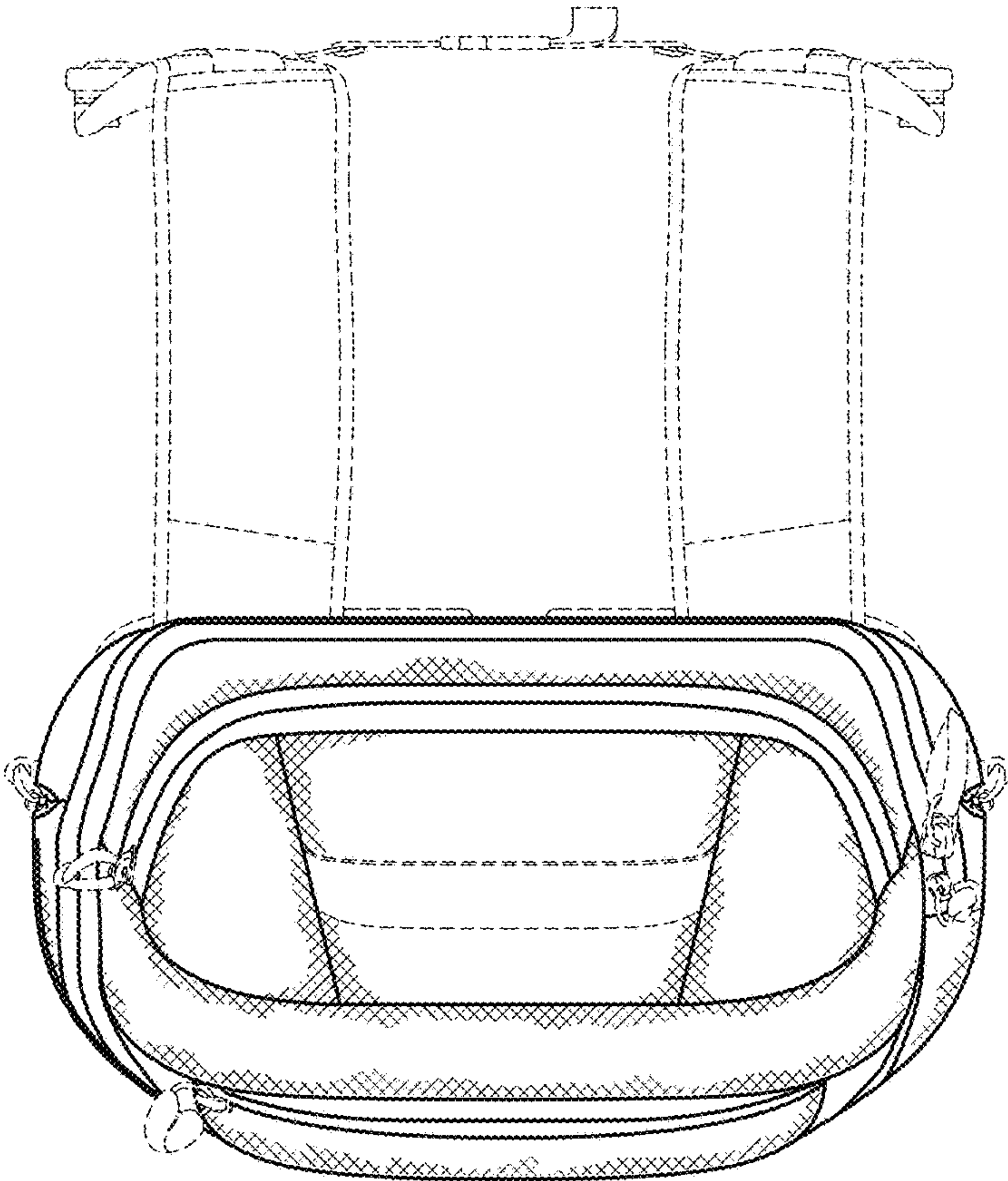


FIG.6

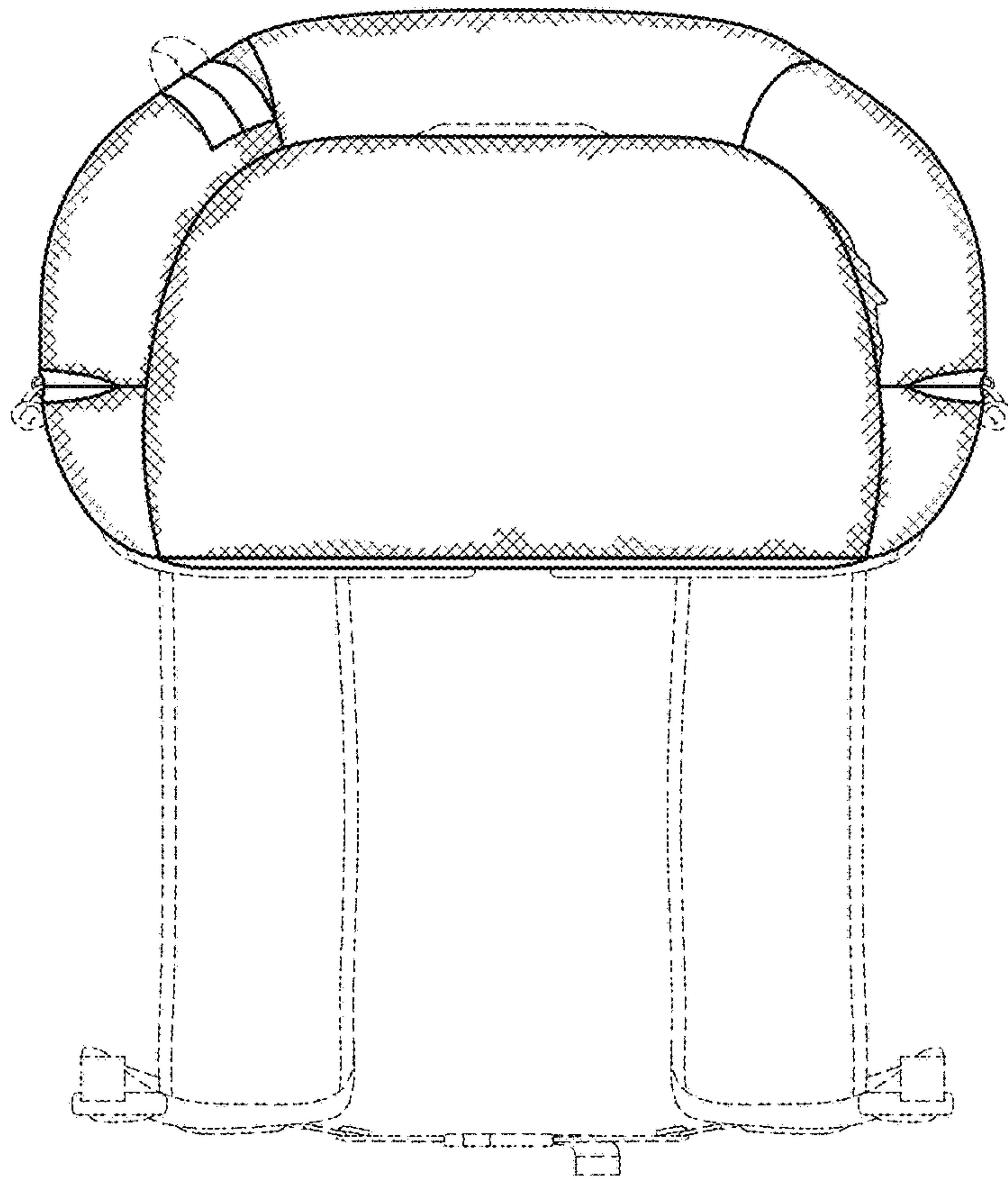


FIG. 7