



US00D859816S

(12) **United States Design Patent**
Goodhart

(10) **Patent No.:** **US D859,816 S**
(45) **Date of Patent:** **** Sep. 17, 2019**

- (54) **CARTRIDGE KEY CASE**
- (71) Applicant: **Jeffrey Goodhart**, Leesport, PA (US)
- (72) Inventor: **Jeffrey Goodhart**, Leesport, PA (US)
- (**) Term: **15 Years**
- (21) Appl. No.: **29/572,530**
- (22) Filed: **Jul. 28, 2016**
- (51) **LOC (12) Cl.** **03-01**
- (52) **U.S. Cl.**
USPC **D3/207**
- (58) **Field of Classification Search**
USPC D3/207-212; D16/100; D26/28;
70/456 B, 457, 458, 408, 456 R;
D13/168; D8/347; D10/104; D14/496,
D14/411; 206/37.1; 21/604, 605, 656,
21/658, 659; 24/3.6, 457, 458; D11/11,
D11/79, 81, 82, 86, 87; D22/115-116,
D22/100, 119
CPC A45C 11/32; A47G 29/10; H04B 1/034;
F04B 15/00; E05B 19/04; A44B 15/00;
A44B 15/002; A44B 15/005; A44B
15/007
See application file for complete search history.

(56) **References Cited**

U.S. PATENT DOCUMENTS

D141,816 S *	7/1945	Johnson	D8/38
D141,817 S *	7/1945	Johnson	D8/38
2,462,206 A	2/1949	Magee		
4,253,321 A	3/1981	Sorensen		
D270,953 S *	10/1983	Langtry	D27/196
D372,660 S *	8/1996	Niessner	D8/343
D407,212 S *	3/1999	Molaro	D3/211
D435,886 S *	1/2001	Benini	D22/100
D444,171 S *	6/2001	McCullough	D19/154
D467,831 S *	12/2002	Rauber	D11/81
D491,222 S *	6/2004	Derman	D19/154

D533,044 S *	12/2006	Buening	D8/103
D546,657 S *	7/2007	Buening	D8/103
D623,833 S *	9/2010	Robb	D2/895

(Continued)

OTHER PUBLICATIONS

Rifle Bullet Keychain 30-06 Springfield, Amazon.com, Date First Available: Apr. 22, 2017, [online], [site visited Apr. 12, 2019]. <URL: <https://www.amazon.com/Rifle-Bullet-Keychain-30-06-Springfield/dp/B01MUHT964>> (Year: 2017).*

(Continued)

Primary Examiner — T Chase Nelson

Assistant Examiner — Jonathan J. Han

(74) *Attorney, Agent, or Firm* — Lori Sandman

(57) **CLAIM**

The ornamental design for a cartridge key case, as shown and described.

DESCRIPTION

FIG. 1 is a line drawing showing a front perspective view of the cartridge key case;

FIG. 2 is a line drawing showing a front view of FIG. 1;

FIG. 3 is a line drawing showing a side view of FIG. 1;

FIG. 4 is a line drawing showing a rear view of FIG. 1;

FIG. 5 is a line drawing showing an opposite side view of FIG. 3;

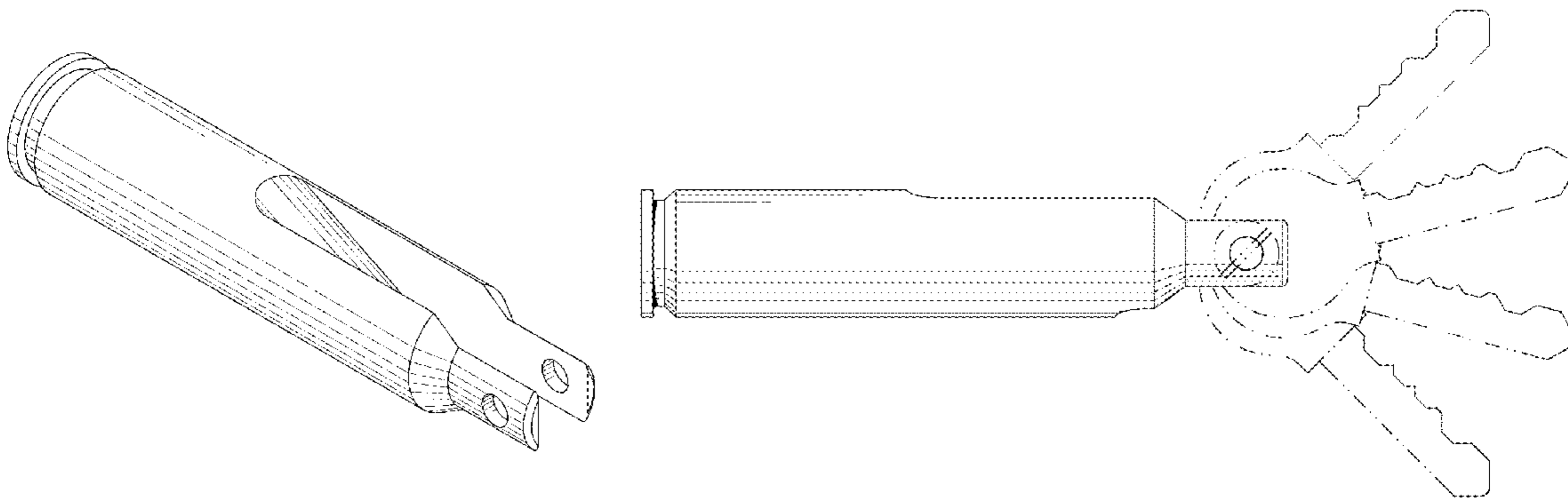
FIG. 6 is a line drawing showing a bottom view of the cartridge key case;

FIG. 7 is a line drawing showing a top view of the cartridge key case;

FIG. 8 is a line drawing showing a sectional view of the cartridge key case taken along line 8-8 in FIG. 2; and,

FIG. 9 is a line drawing showing a view of the cartridge key case in a configuration of use with keys; the features shown in broken lines are for illustrating the environmental structure and form no part of the claimed design.

1 Claim, 2 Drawing Sheets



(56)

References Cited

U.S. PATENT DOCUMENTS

D630,122 S * 1/2011 Gaspard D11/73
 D630,761 S * 1/2011 Marshall D24/215
 D635,745 S * 4/2011 Robb D2/895
 D646,179 S * 10/2011 Jansen D22/116
 D660,113 S * 5/2012 Bigelow D8/38
 D676,297 S * 2/2013 Bigelow D8/38
 D703,016 S * 4/2014 Crane D8/38
 D706,108 S * 6/2014 Kadel D8/100
 D727,424 S * 4/2015 Skinn D19/86
 D732,919 S * 6/2015 Lu D8/99
 D736,046 S * 8/2015 Crane D8/38
 D739,195 S * 9/2015 Scharch D8/38
 9,210,979 B2 12/2015 Packer
 D749,837 S 2/2016 Du
 D753,339 S * 4/2016 Greeley D27/162
 D756,630 S 5/2016 Tunney
 D759,755 S 5/2016 Busch

D759,189 S * 6/2016 Pederson D22/116
 D769,686 S * 10/2016 Meyer D8/38
 D772,993 S * 11/2016 Stover D21/718
 D792,077 S * 7/2017 Denet D2/966
 D808,293 S * 1/2018 Lenzmeier D11/81
 D813,975 S * 3/2018 White D22/116
 D814,907 S * 4/2018 Baiz D8/356

OTHER PUBLICATIONS

MFH Cartridge Key Chain with Bottle Opener—Mosin (Brass), OlivePlanet.in, [online], [site visited Apr. 12, 2019]. <URL: <https://www.oliveplanet.in/mfh-cartridge-key-chain-with-bottle-opener-mosin-brass.html>> (Year: 2019).*

5" Metal Bullet Knife Charm Necklace, KccEdge.com, [online], [site visited Apr. 12, 2019]. <URL: <https://www.kccedge.com/products/5-metal-bullet-knife-charm-necklace>> (Year: 2019).*

* cited by examiner

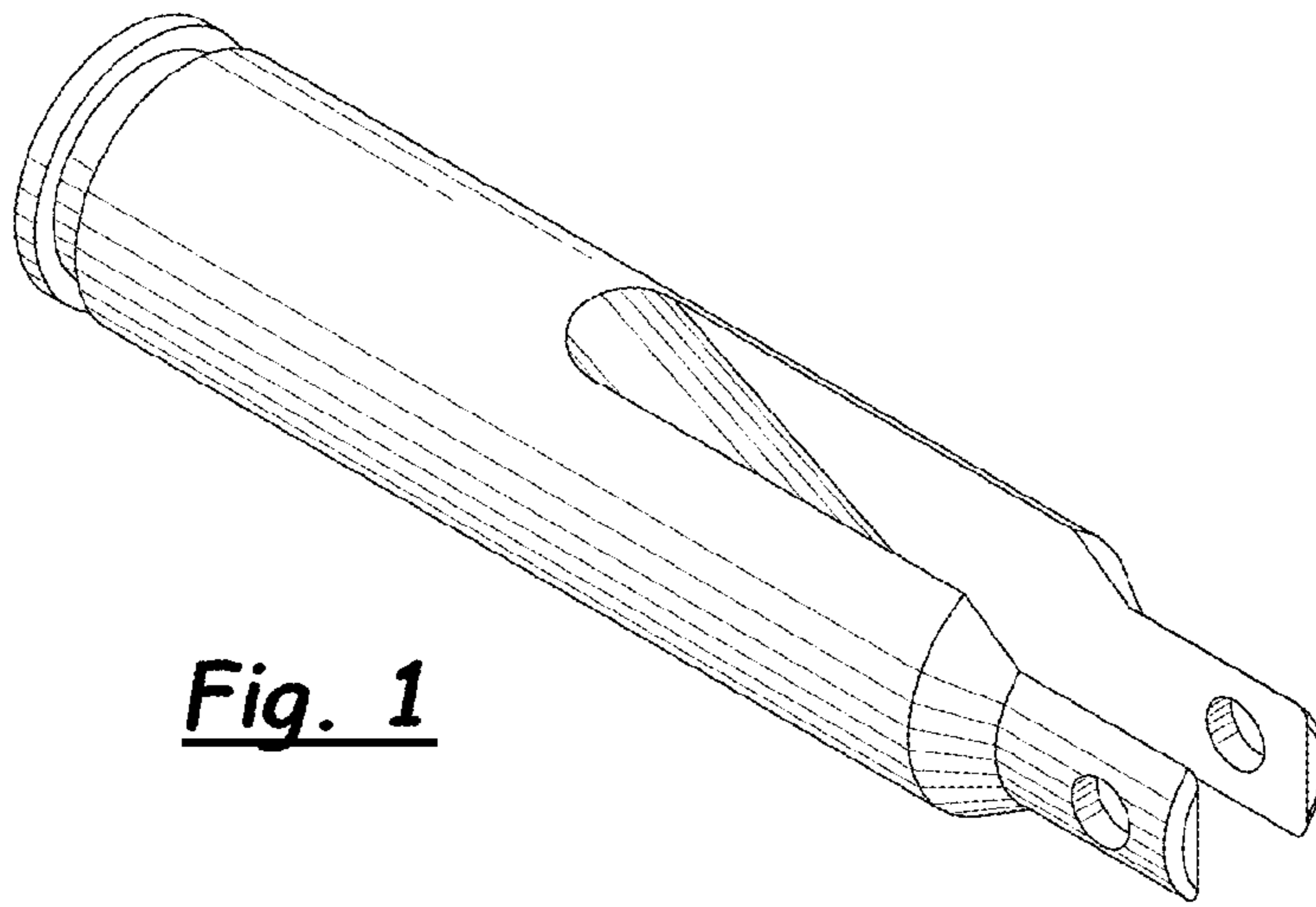


Fig. 1

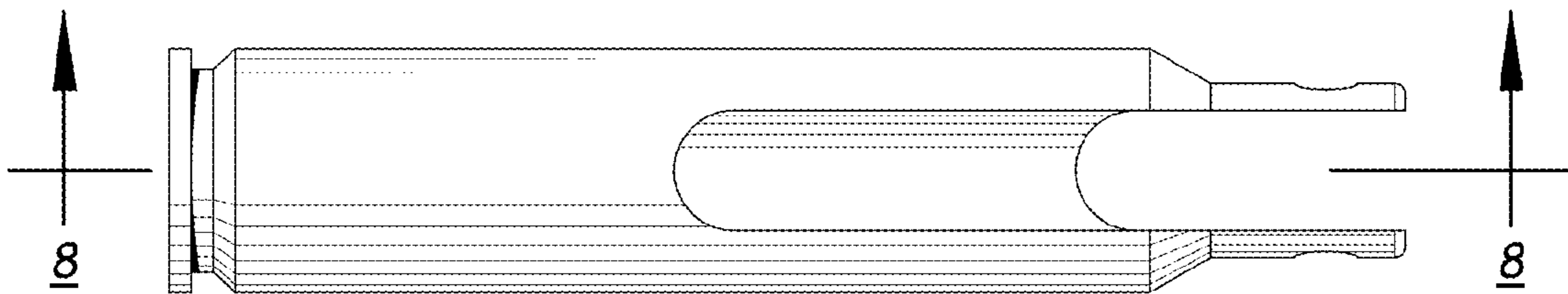


Fig. 2

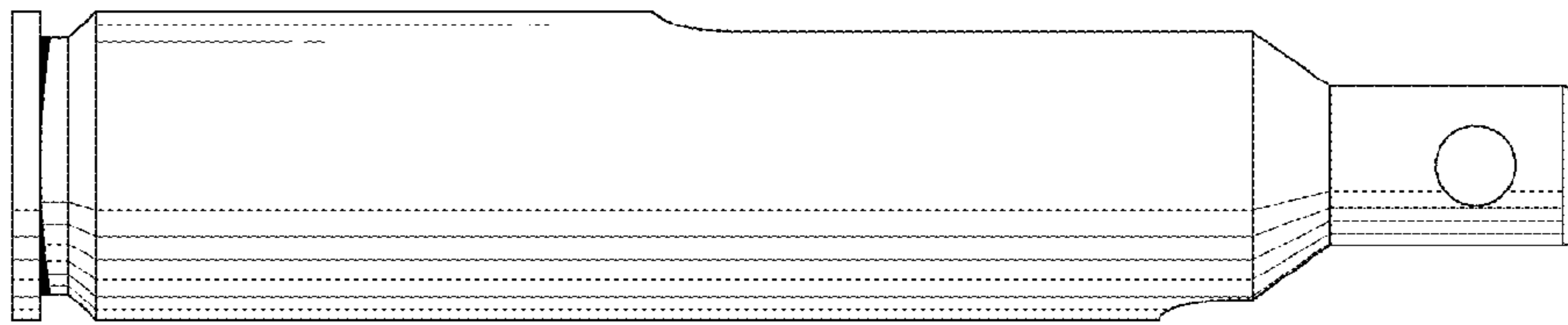


Fig. 3

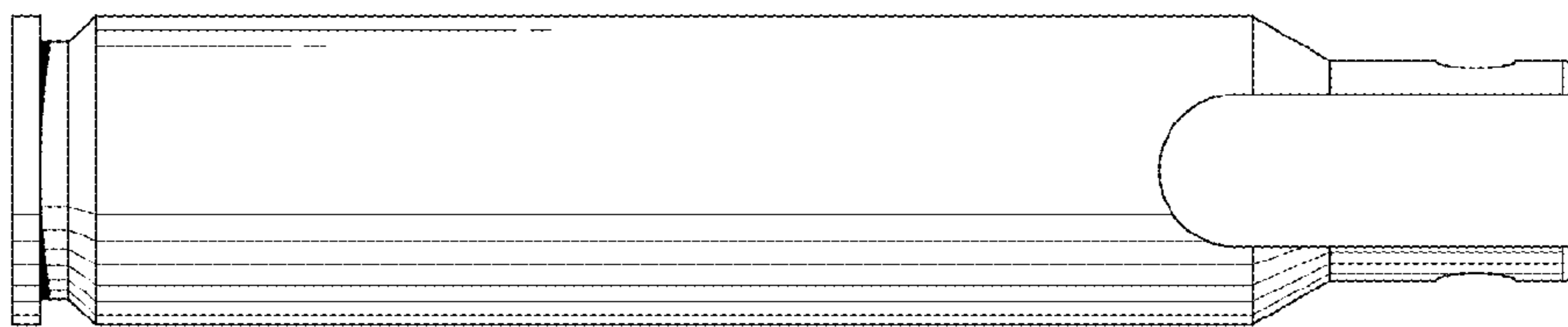


Fig. 4

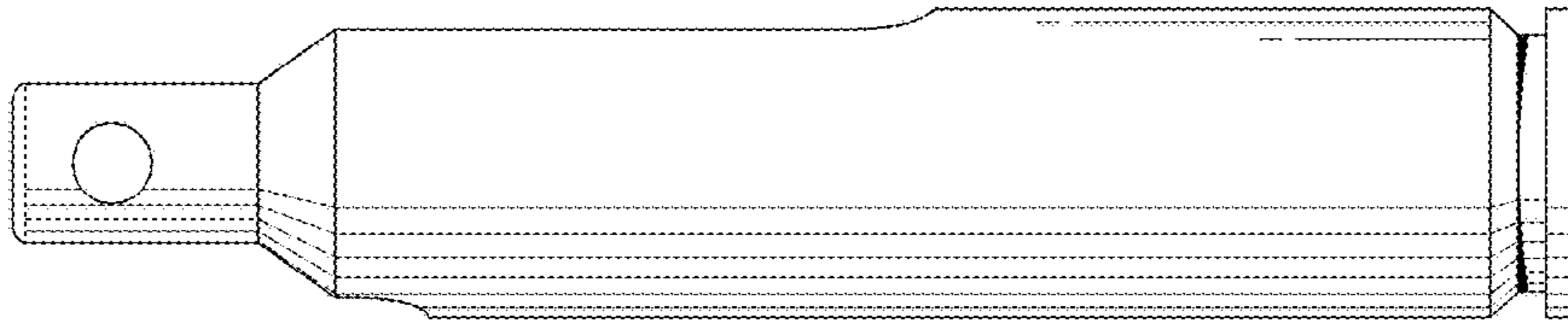


Fig. 5

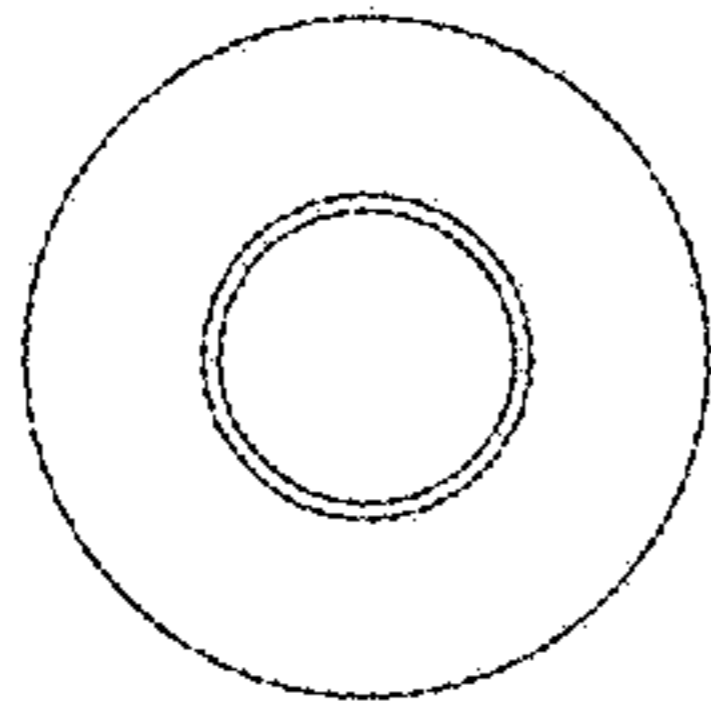


Fig. 6

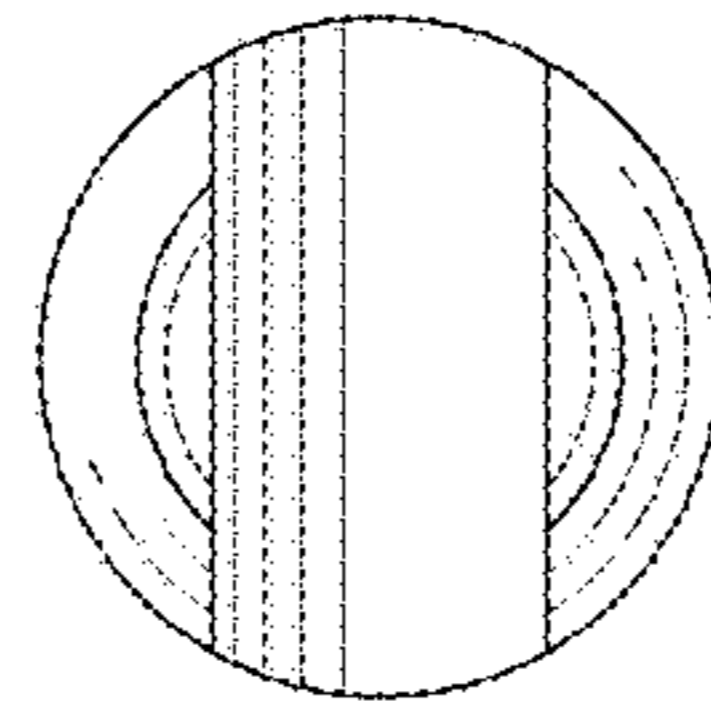


Fig. 7

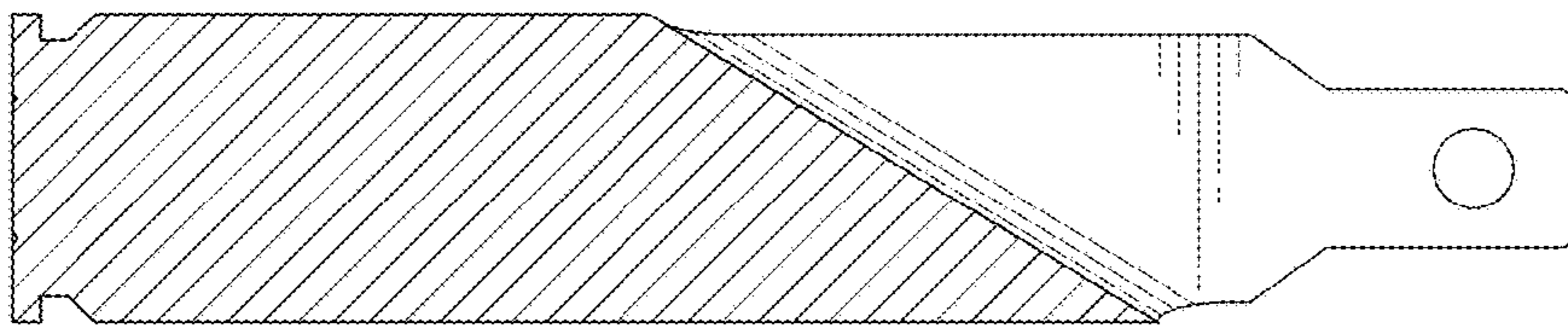


Fig. 8

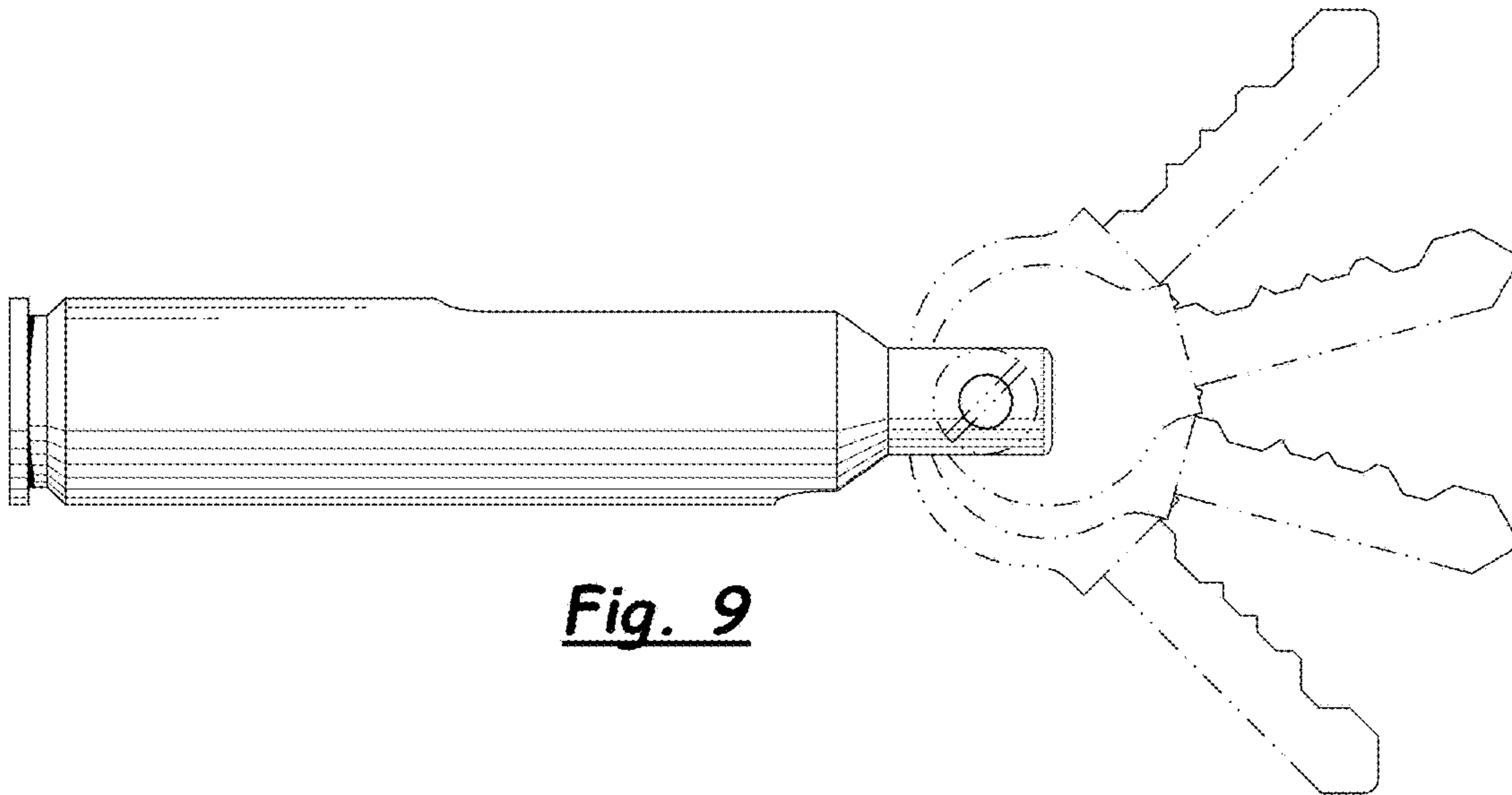


Fig. 9