



US00D859811S

(12) **United States Design Patent**
Hughes

(10) **Patent No.:** **US D859,811 S**

(45) **Date of Patent:** **** Sep. 17, 2019**

(54) **DRONE CASE**

(71) Applicant: **DayMen Canada Acquisition ULC**,
Vancouver (CA)

(72) Inventor: **Ian Hughes**, Cotati, CA (US)

(73) Assignee: **VITEC HOLDINGS ITALIA SRL**,
Richmond (GB)

(**) Term: **15 Years**

(21) Appl. No.: **29/561,629**

(22) Filed: **Apr. 18, 2016**

(51) **LOC (12) Cl.** **03-01**

(52) **U.S. Cl.**
USPC **D3/201**

(58) **Field of Classification Search**
USPC D3/201, 205, 242, 269, 270, 267, 271.1,
D3/271.9, 271.11, 273, 274, 275, 276,
D3/279, 281, 282, 283, 284, 289, 292,
D3/294, 295, 296, 297, 299, 301, 302,
D3/901, 903, 905; D9/414
CPC A45C 5/04; A45C 11/00; A45C 11/16
See application file for complete search history.

(56) **References Cited**

U.S. PATENT DOCUMENTS

D612,602 S * 3/2010 Murdoch D3/263
D805,780 S * 12/2017 Hughes D3/319

OTHER PUBLICATIONS

Mountain Life, Live It Up; Oct. 16, 2015; Choosing the Right Case for Your Drone (<https://www.mountainlifemedia.ca/2015/10/choosing-the-right-case-for-your-drone/>). (Year: 2015).*

* cited by examiner

Primary Examiner — Holly E Thurman

(74) *Attorney, Agent, or Firm* — Medler Ferro
Woodhouse & Mills PLLC

(57) **CLAIM**

The ornamental design for a drone case, as shown and described.

DESCRIPTION

FIG. 1 is a perspective view of an embodiment of a drone case showing my design with dividers in place and in an open configuration.

FIG. 2 is a left side view of the drone case of FIG. 1.

FIG. 3 is a front view of the drone case of FIG. 1.

FIG. 4 is a right side view of the drone case of FIG. 1.

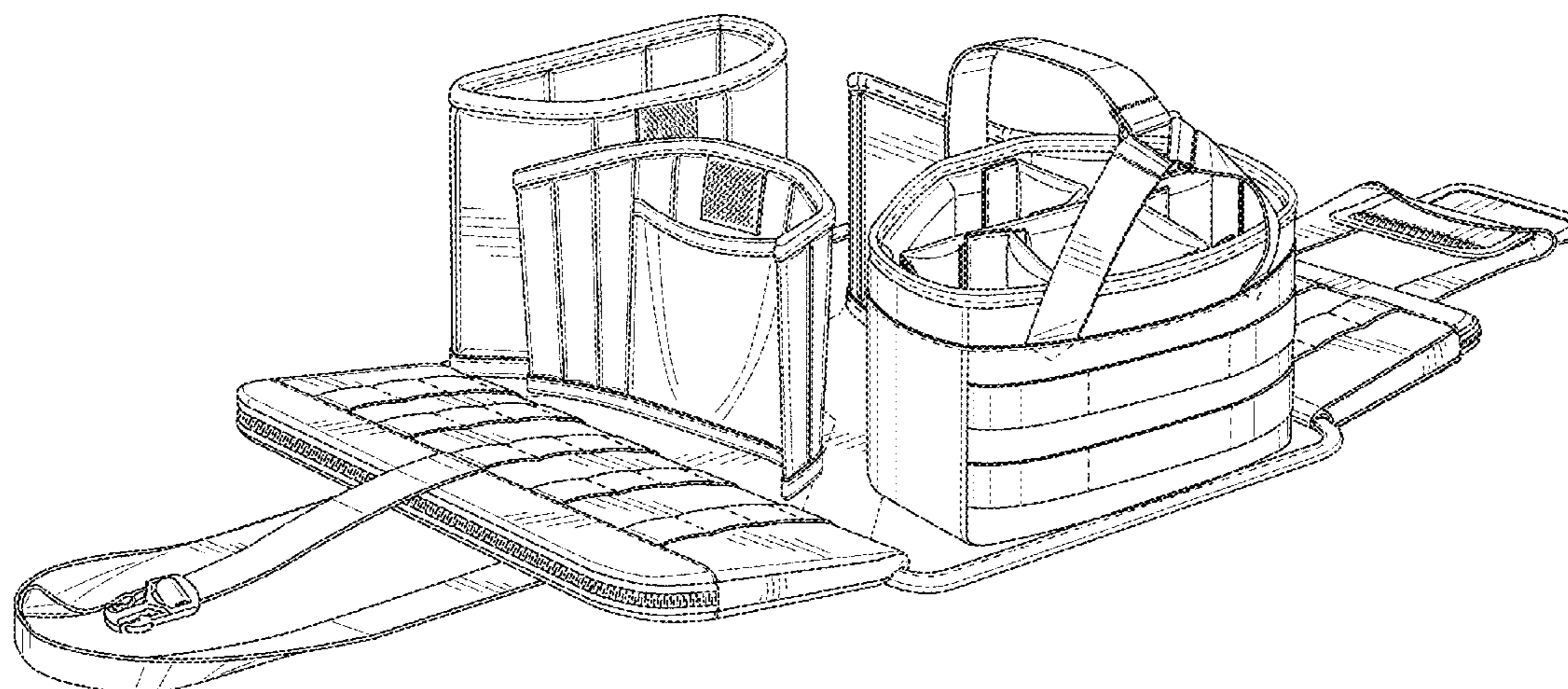
FIG. 5 is a rear view of the drone case of FIG. 1.

FIG. 6 is a top view of the drone case of FIG. 1; and,

FIG. 7 is a bottom view of the drone case of FIG. 1.

The broken lines shown on the surface of the drone case depict claimed stitching and form part of the claimed design.

1 Claim, 5 Drawing Sheets



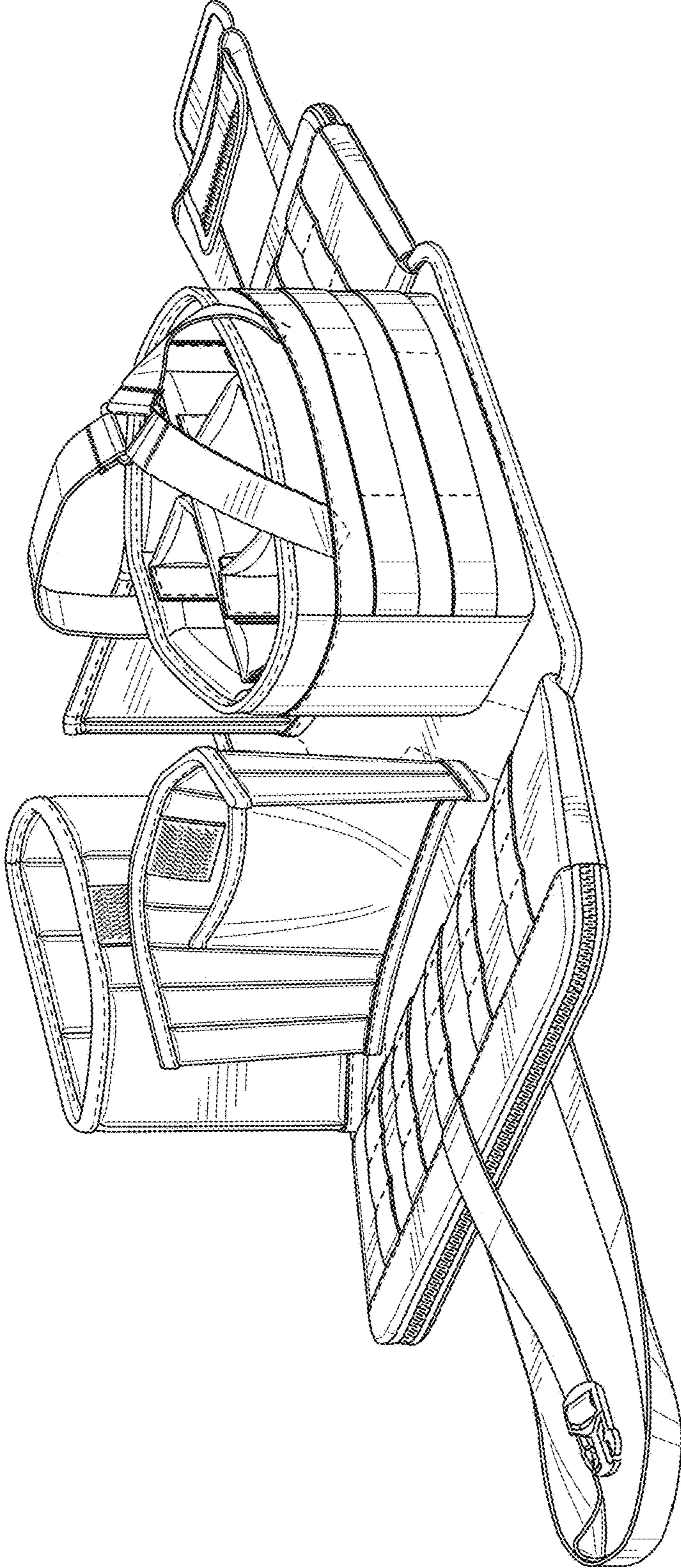


FIG. 1

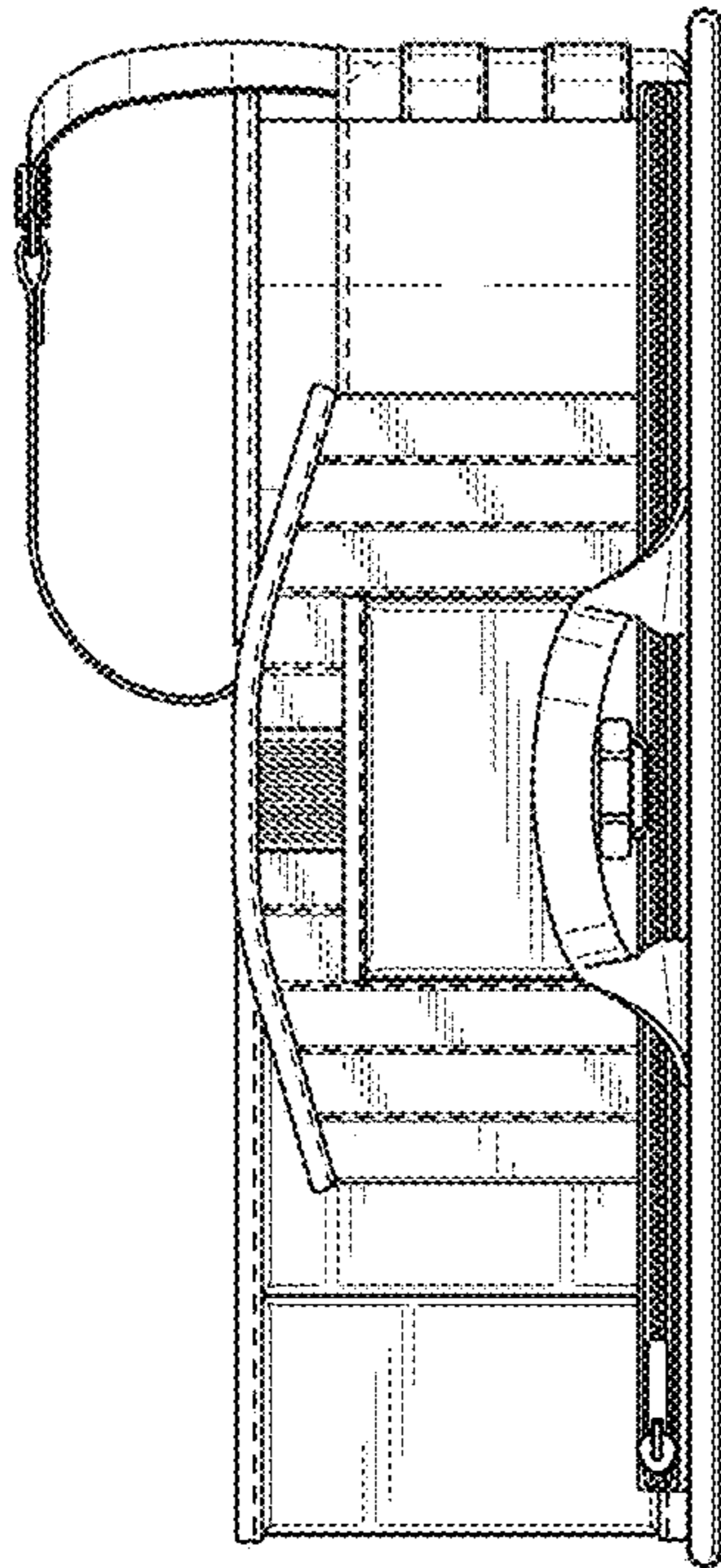


FIG. 2

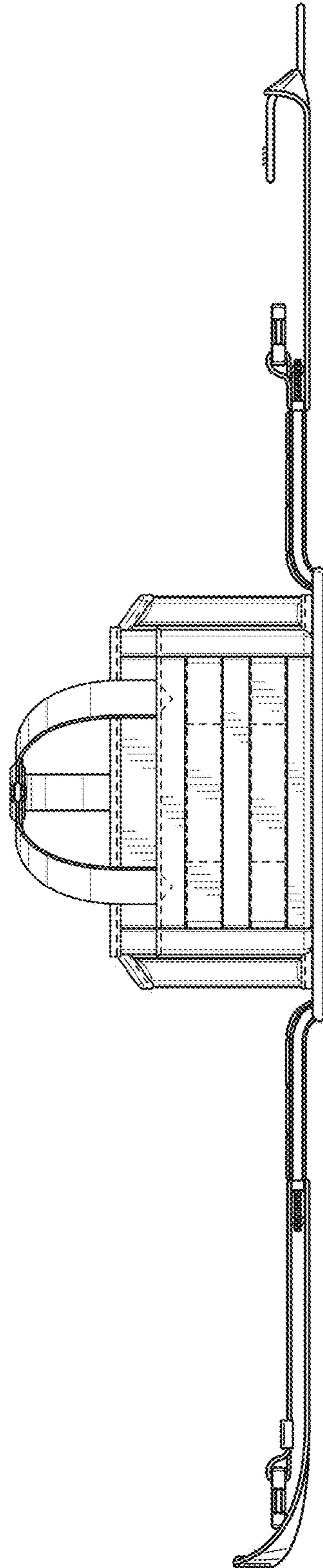


FIG. 3

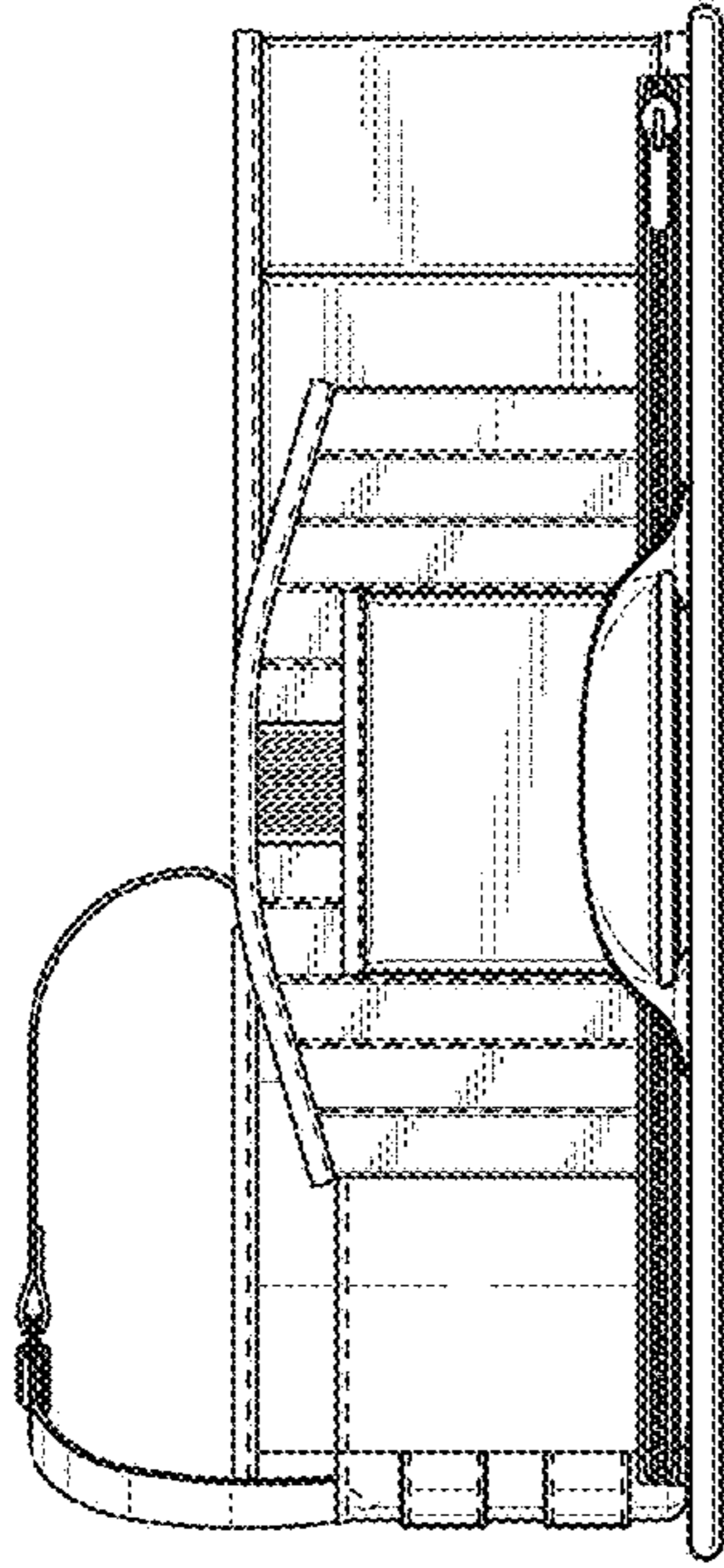


FIG. 4

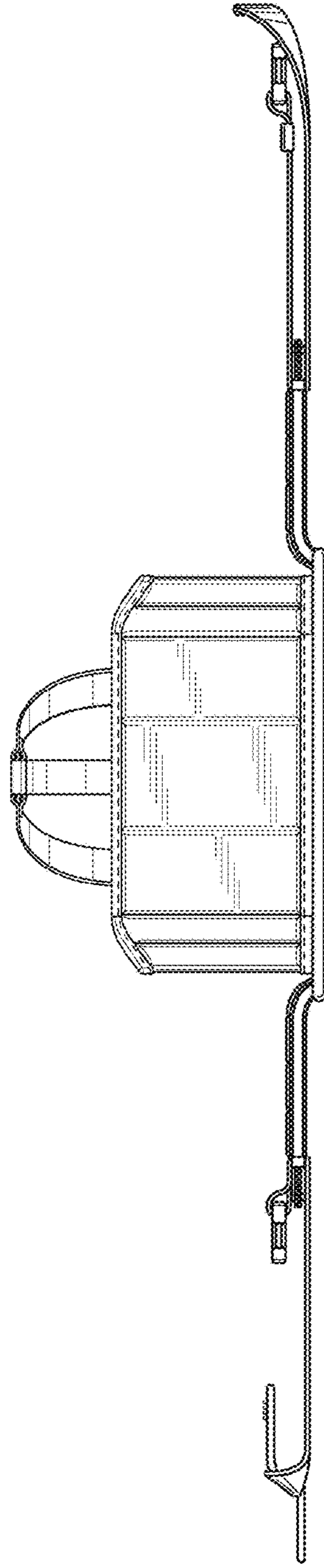


FIG. 5

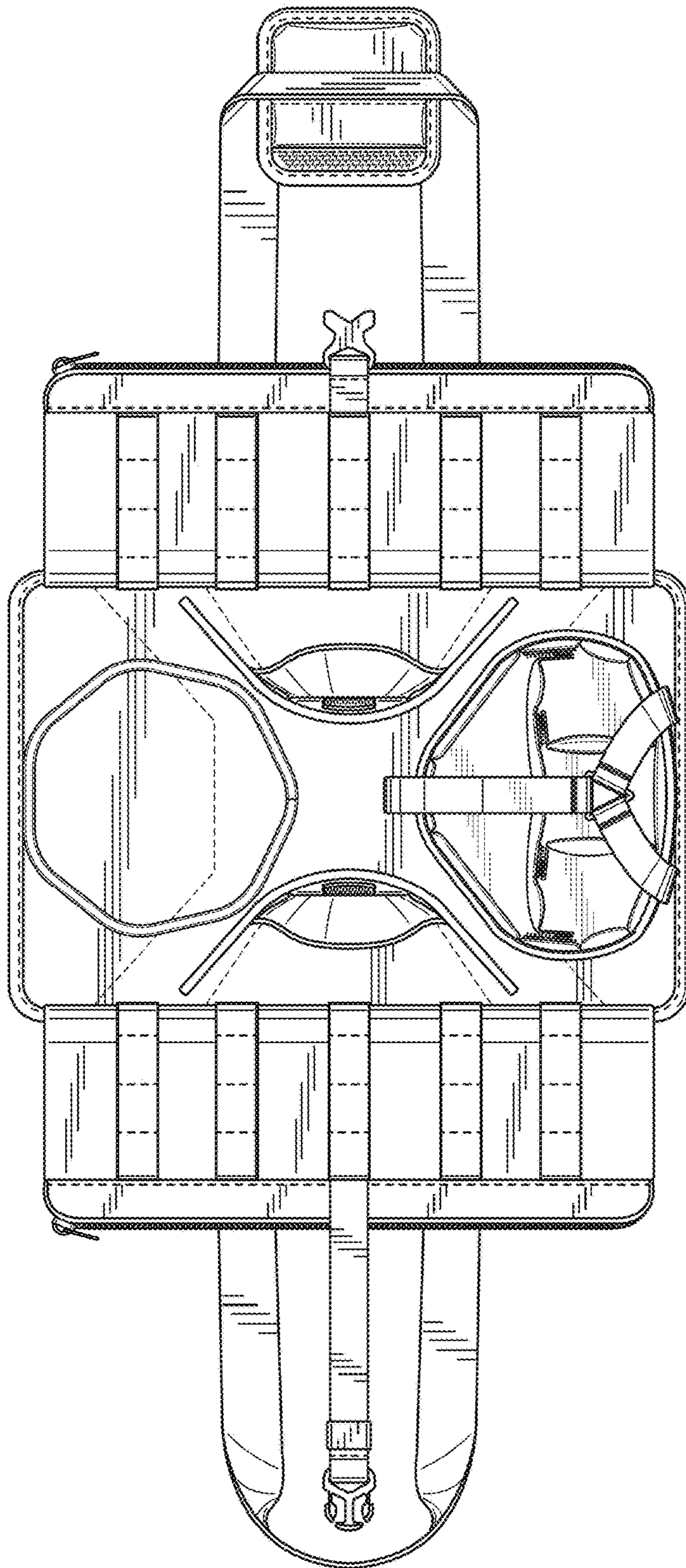


FIG. 6

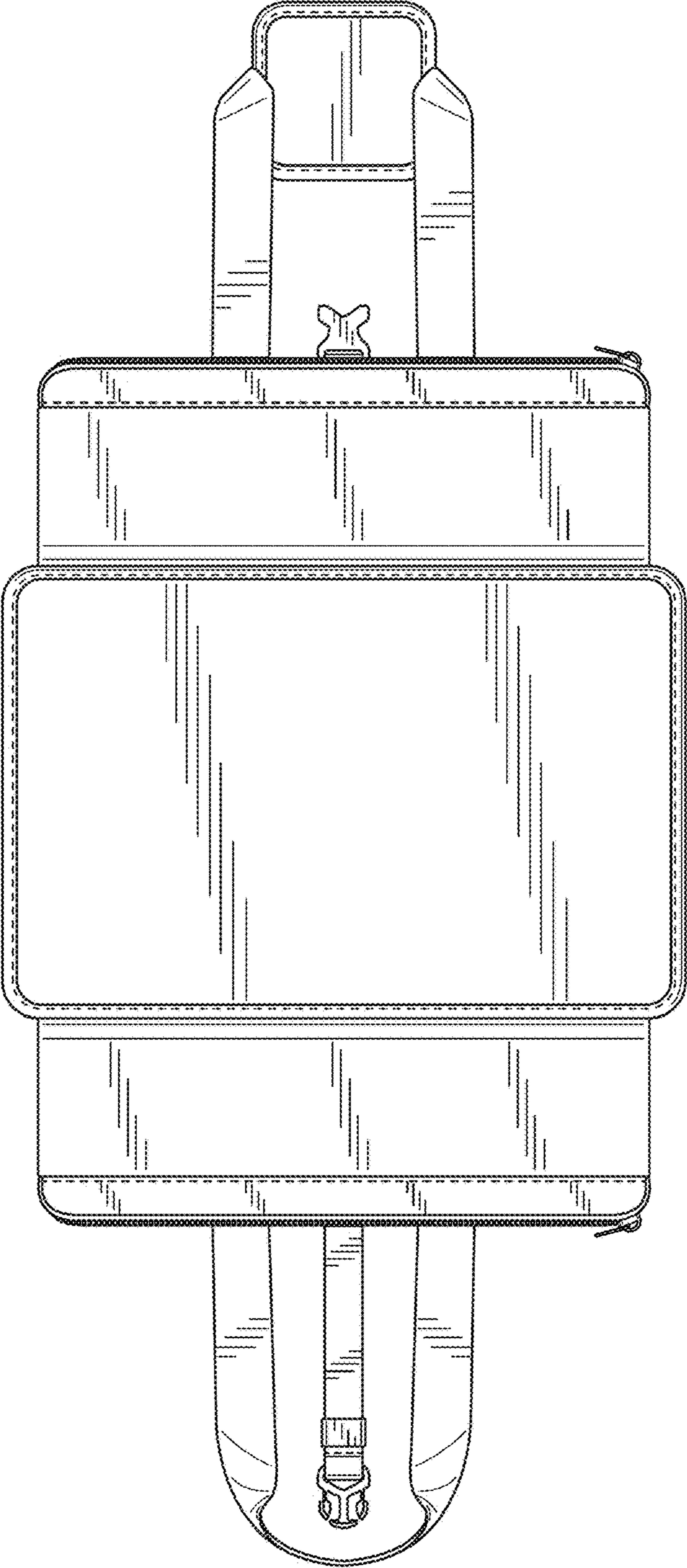


FIG. 7