



US00D859809S

(12) **United States Design Patent** (10) **Patent No.:** **US D859,809 S**  
**Boone** (45) **Date of Patent:** **\*\* Sep. 17, 2019**

(54) **UMBRELLA COVER** 5,323,802 A \* 6/1994 Kiedrowski ..... A45B 25/28  
135/34.2  
(71) Applicant: **Nina Boone**, New York, NY (US) D354,644 S \* 1/1995 Robinson ..... D3/5  
D360,712 S \* 7/1995 Bush ..... D24/191  
(72) Inventor: **Nina Boone**, New York, NY (US) D369,238 S \* 4/1996 Cain ..... D3/11  
5,518,218 A 5/1996 Leonard  
D374,975 S \* 10/1996 Vargas ..... D3/202  
(\*\*) Term: **15 Years** 5,625,960 A 5/1997 Fujita  
D380,085 S \* 6/1997 Ramsey ..... D3/11  
(21) Appl. No.: **29/636,247** D393,742 S \* 4/1998 El-Edwy ..... D3/11  
(22) Filed: **Feb. 7, 2018** (Continued)

FOREIGN PATENT DOCUMENTS

DE 1532818 A1 3/1970  
DE 2803918 A1 8/1979  
(Continued)

Related U.S. Application Data

(63) Continuation-in-part of application No. 15/233,076,  
filed on Aug. 10, 2016, now abandoned.  
(51) **LOC (12) Cl.** ..... **03-01**  
(52) **U.S. Cl.**  
USPC ..... **D3/11**  
(58) **Field of Classification Search**  
USPC ..... D3/10, 11, 201, 202, 244, 273, 300, 303  
CPC ..... A45B 25/24; A45B 25/28; A45B 25/18;  
A45B 15/00  
See application file for complete search history.

*Primary Examiner* — John Windmuller  
*Assistant Examiner* — Steven J Czyz  
(74) *Attorney, Agent, or Firm* — Global Intellectual  
Property Agency, LLC; Daniel Boudwin

(57) **CLAIM**

The ornamental design for an umbrella cover, as shown and described.

**DESCRIPTION**

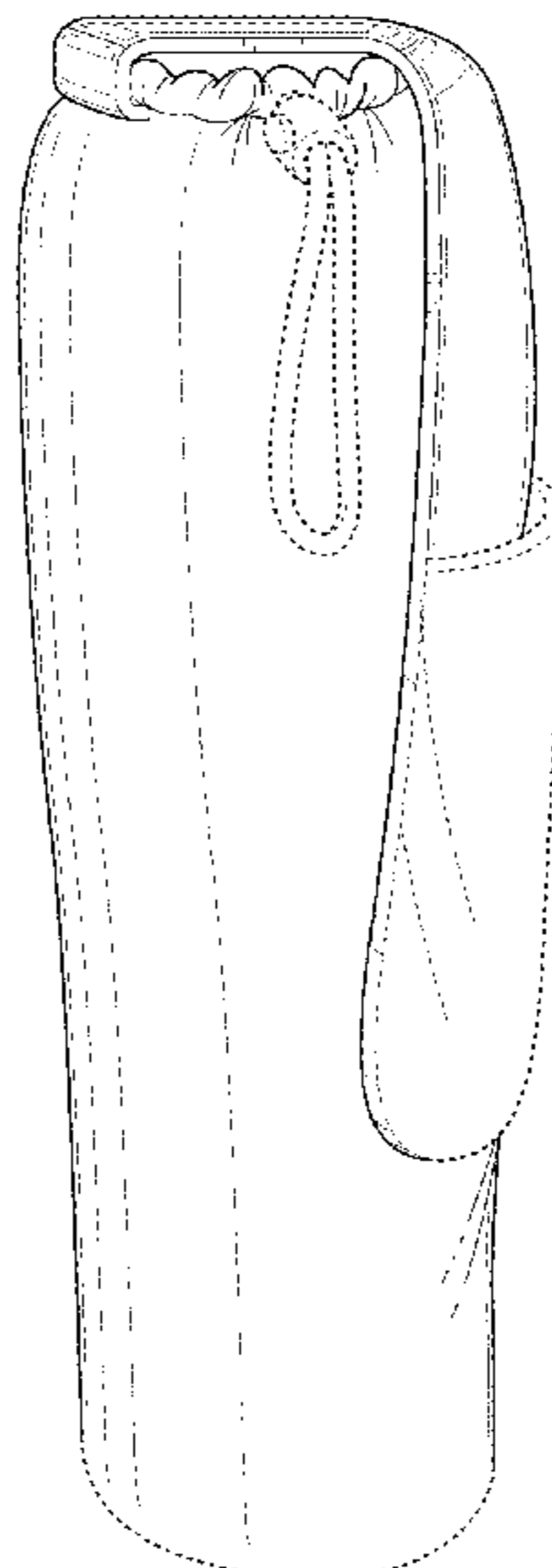
FIG. 1 is a perspective view of an umbrella cover;  
FIG. 2 is a front side elevation view thereof;  
FIG. 3 is a rear side elevation view thereof;  
FIG. 4 is a left side elevation view thereof;  
FIG. 5 is a right side elevation view thereof;  
FIG. 6 is a top elevation view thereof; and,  
FIG. 7 is a bottom elevation view thereof.  
The difference in shading in the figures indicates a contrast  
of color and does not depict any particular color, texture, or  
material.  
The broken lines depict portions of the article that form no  
part of the claimed design.

(56) **References Cited**

U.S. PATENT DOCUMENTS

1,861,061 A 5/1932 Maxwell  
1,891,184 A \* 12/1932 Salomon ..... A45B 25/24  
135/34.2  
2,105,172 A \* 1/1938 Voelker ..... A45B 25/24  
135/34.2  
2,522,604 A 9/1950 Theresa  
D219,189 S \* 11/1970 Seelig et al. .... D3/11  
D221,368 S \* 8/1971 Bremshey et al. .... D3/11  
D223,183 S \* 3/1972 Bremshey et al. .... D3/11  
D223,525 S \* 4/1972 Bremshey et al. .... D3/11  
3,670,749 A \* 6/1972 Buschmann ..... A45B 25/24  
135/34.2  
4,558,807 A \* 12/1985 Jackson ..... A45B 25/24  
224/251

**1 Claim, 6 Drawing Sheets**



(56)

References Cited

U.S. PATENT DOCUMENTS

D437,481 S \* 2/2001 Vazquez ..... A45C 7/0063  
 D3/232  
 D437,680 S \* 2/2001 Gobel ..... D3/11  
 6,199,737 B1 3/2001 Ringelstetter  
 D450,919 S \* 11/2001 Lee ..... D3/11  
 D453,620 S \* 2/2002 Vazquez ..... D3/244  
 D456,605 S \* 5/2002 Vazquez ..... D3/244  
 6,655,399 B1 \* 12/2003 Williams ..... A45B 25/24  
 135/34.2  
 6,694,992 B2 \* 2/2004 Gaskins ..... A45B 25/24  
 135/34.2  
 6,701,947 B1 \* 3/2004 Ramos ..... A45B 25/24  
 135/34.2  
 D494,366 S \* 8/2004 Gognat ..... D3/300  
 D537,627 S \* 3/2007 Vazquez ..... D3/244  
 D538,040 S \* 3/2007 Vazquez ..... D3/303  
 D637,390 S \* 5/2011 Leung ..... D3/11  
 D681,323 S \* 5/2013 Chin ..... A45B 25/26  
 D3/11

D681,948 S \* 5/2013 Lion ..... D3/244  
 D691,790 S \* 10/2013 Denzinger ..... D3/202  
 8,590,551 B2 \* 11/2013 Uniyal ..... A45B 25/24  
 135/16  
 8,991,409 B2 \* 3/2015 Guimaraens ..... A45B 25/28  
 135/16  
 D732,821 S \* 6/2015 Baron ..... D3/244  
 D737,052 S \* 8/2015 James ..... D3/300  
 D756,624 S \* 5/2016 Masgoret Pueyo ..... D3/10  
 D760,487 S \* 7/2016 Sugita ..... D3/11  
 2006/0283489 A1 \* 12/2006 Ho ..... A45B 11/02  
 135/20.1  
 2015/0374085 A1 \* 12/2015 Smithers ..... A45B 25/24  
 135/34.2

FOREIGN PATENT DOCUMENTS

DE 102008026750 A1 12/2009  
 DE 202014101261 U1 3/2014  
 WO 2007010857 A1 1/2007

\* cited by examiner

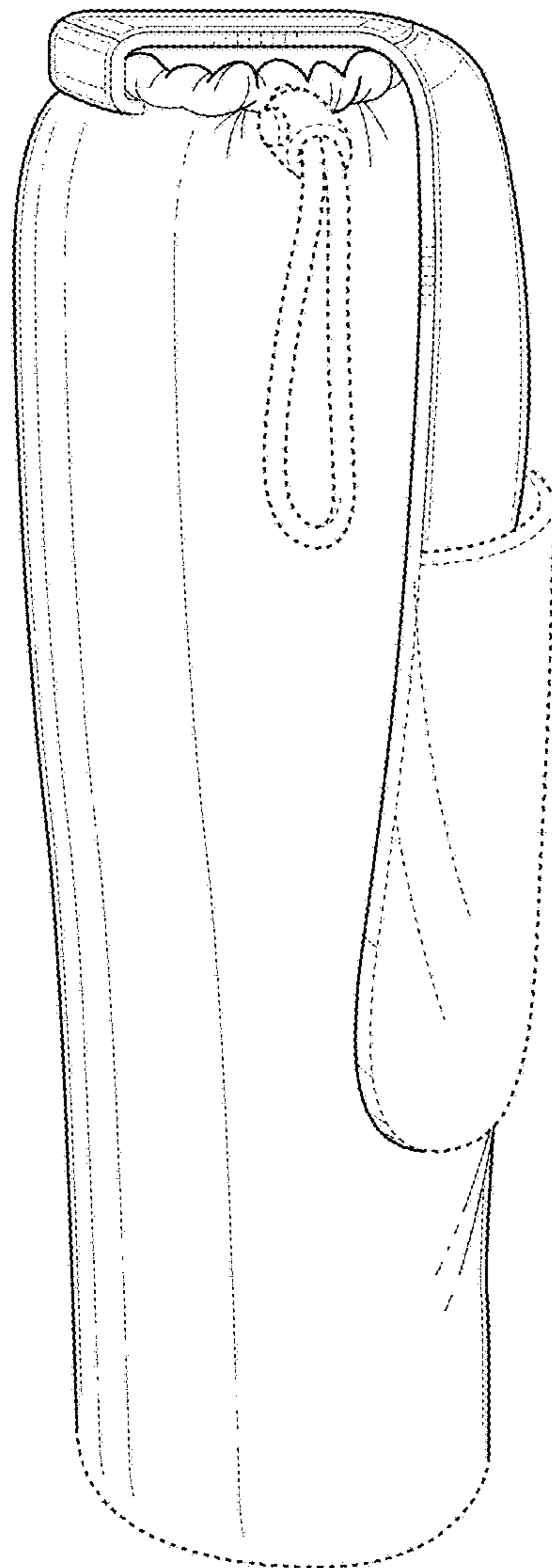


FIG. 1

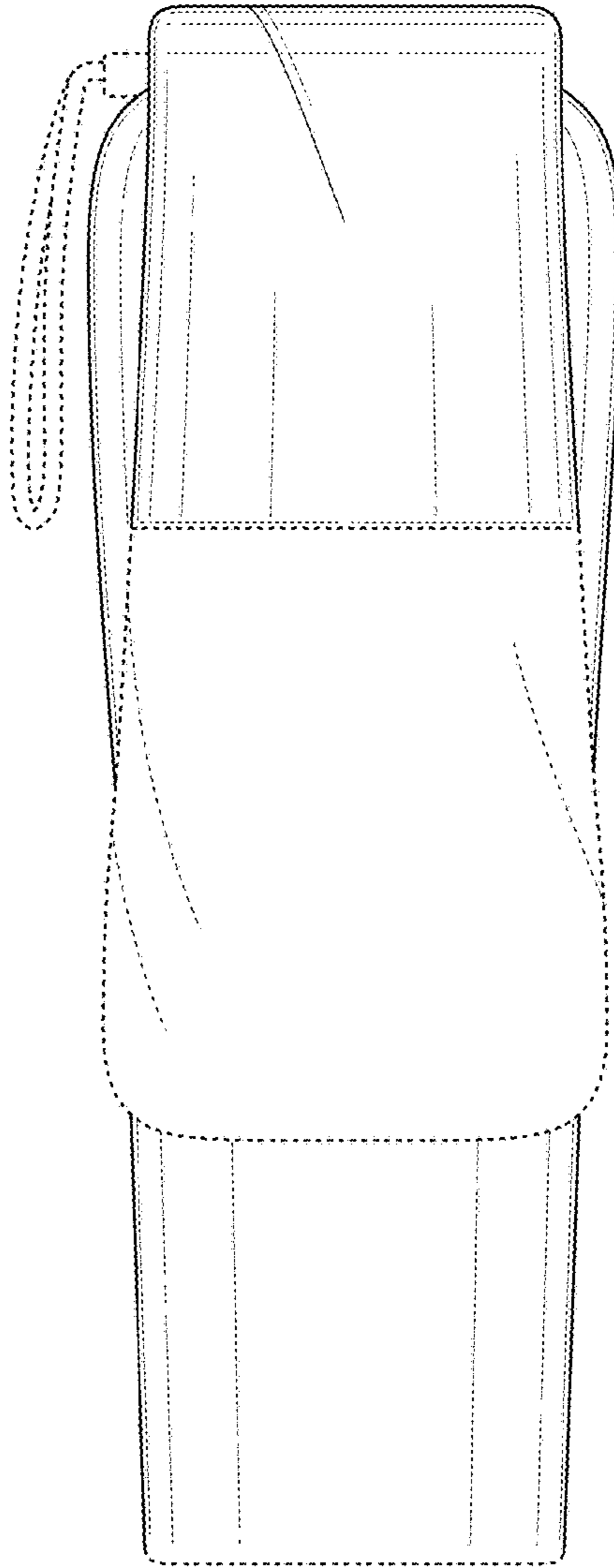


FIG. 2

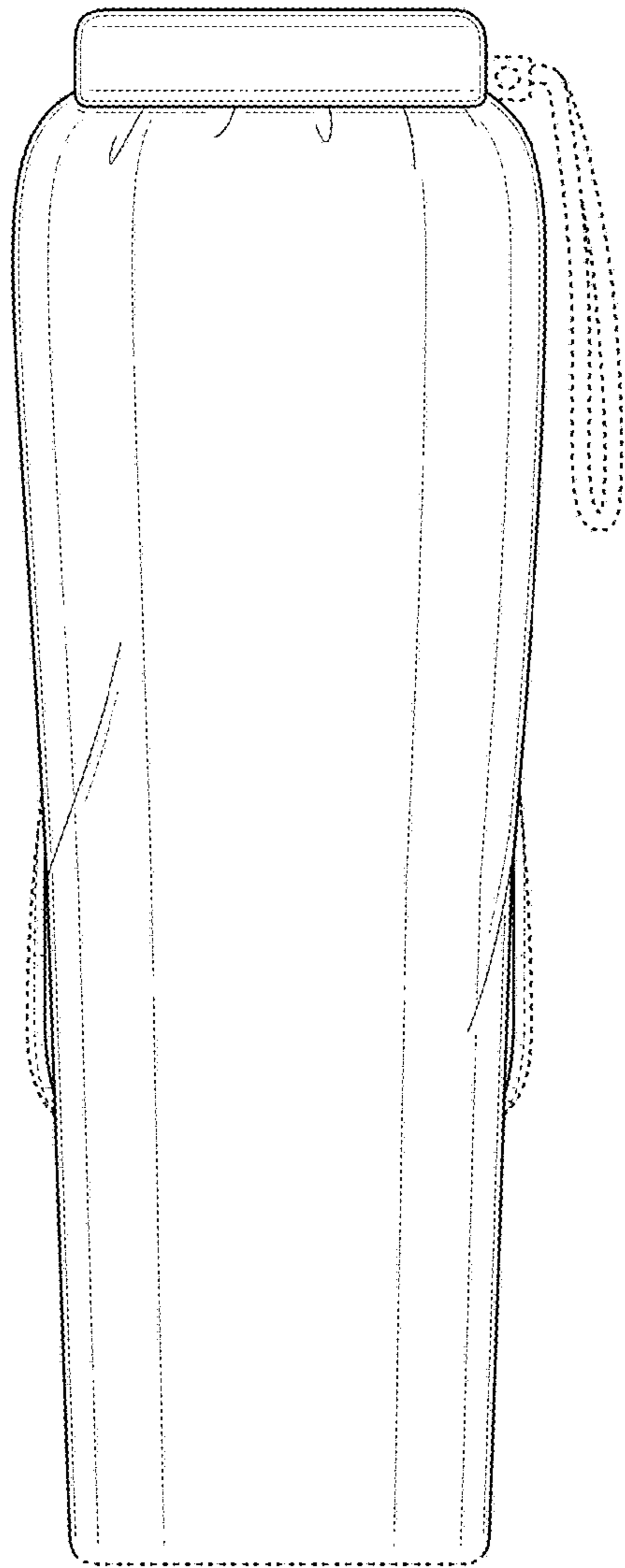


FIG. 3

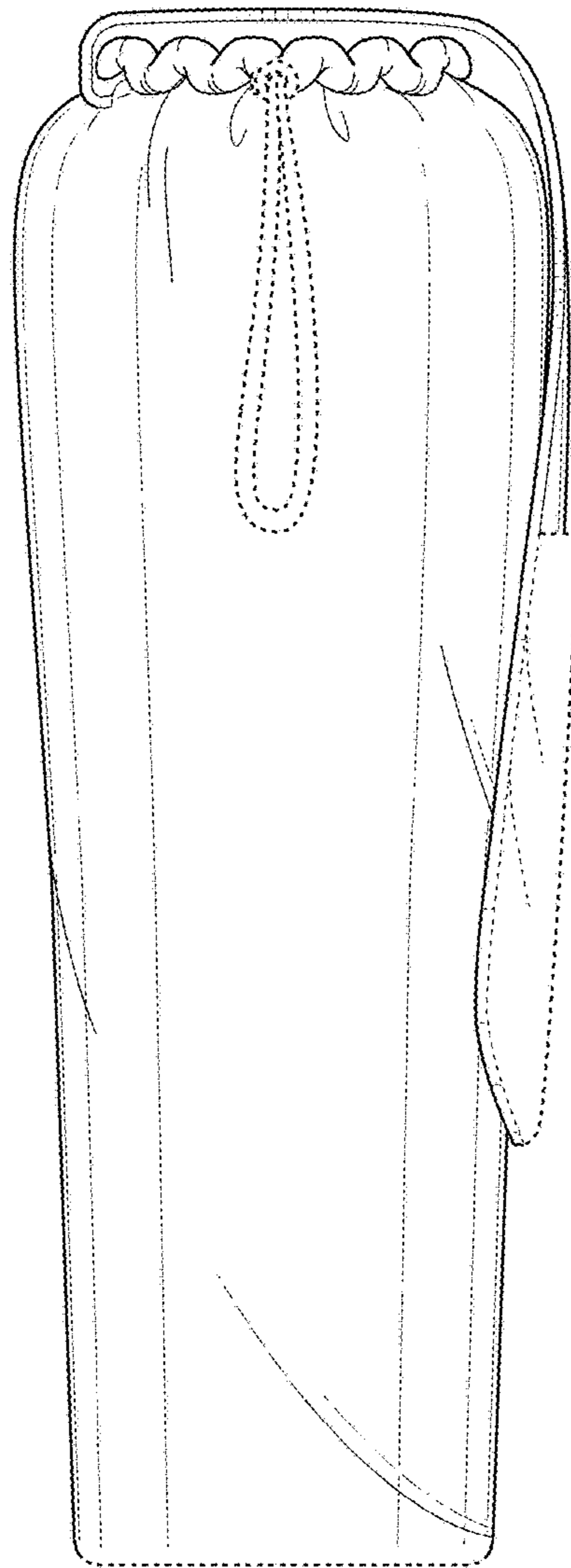


FIG. 4

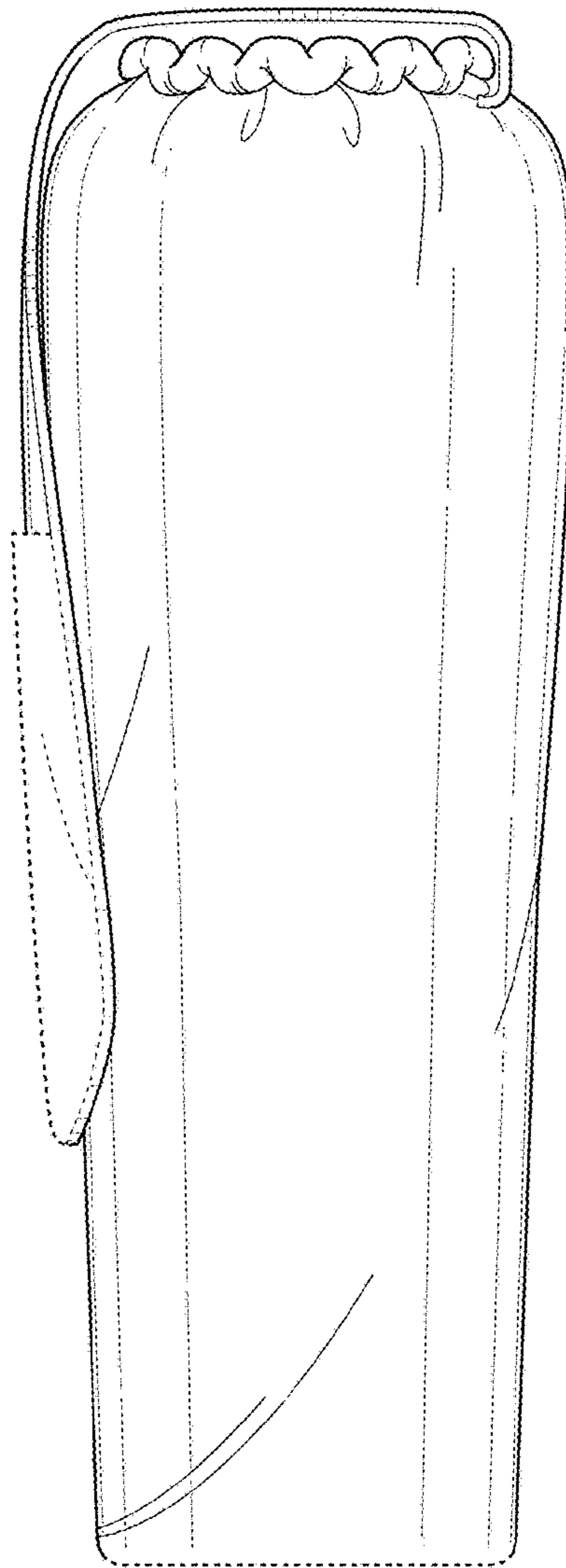


FIG. 5

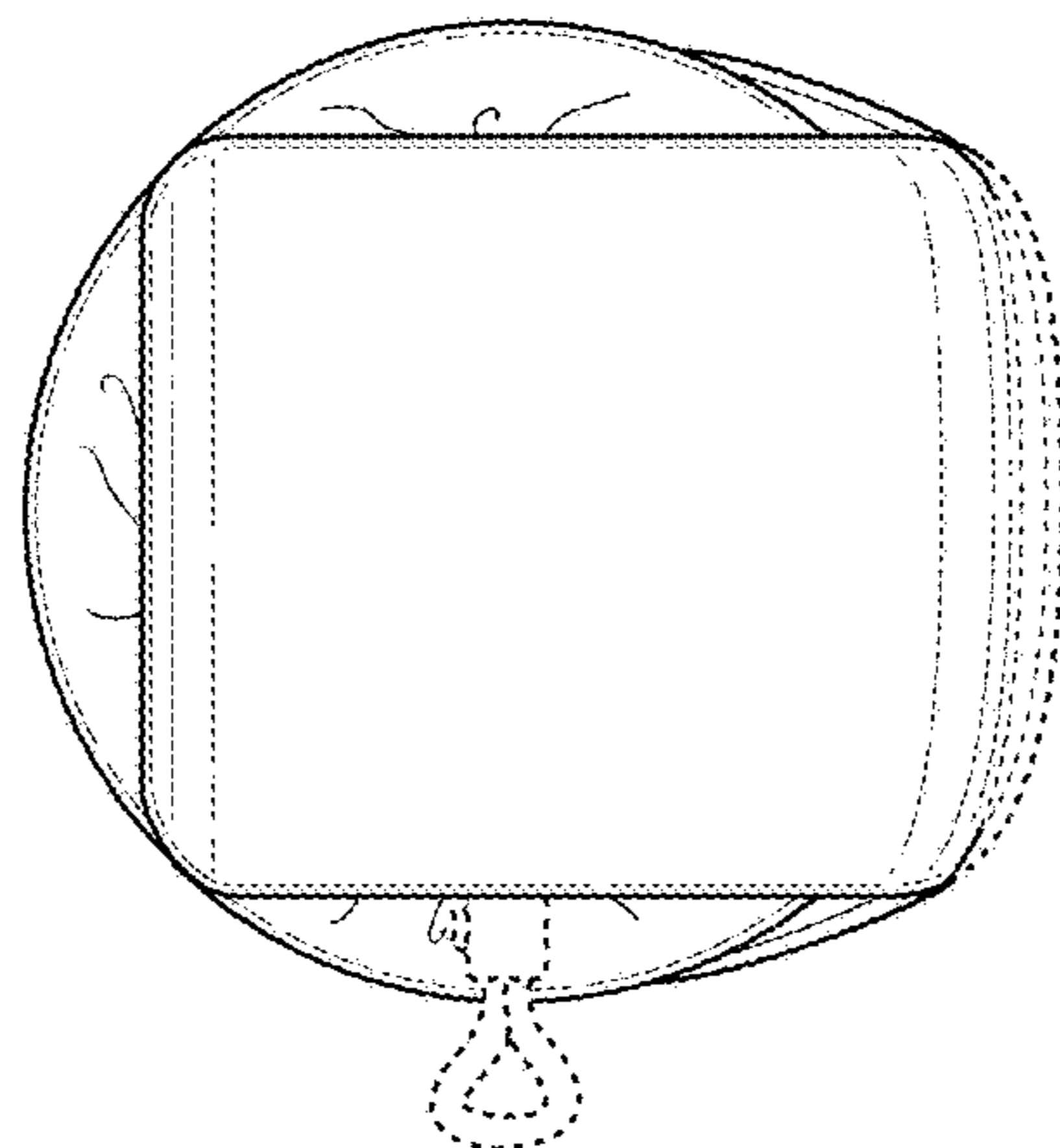


FIG. 6

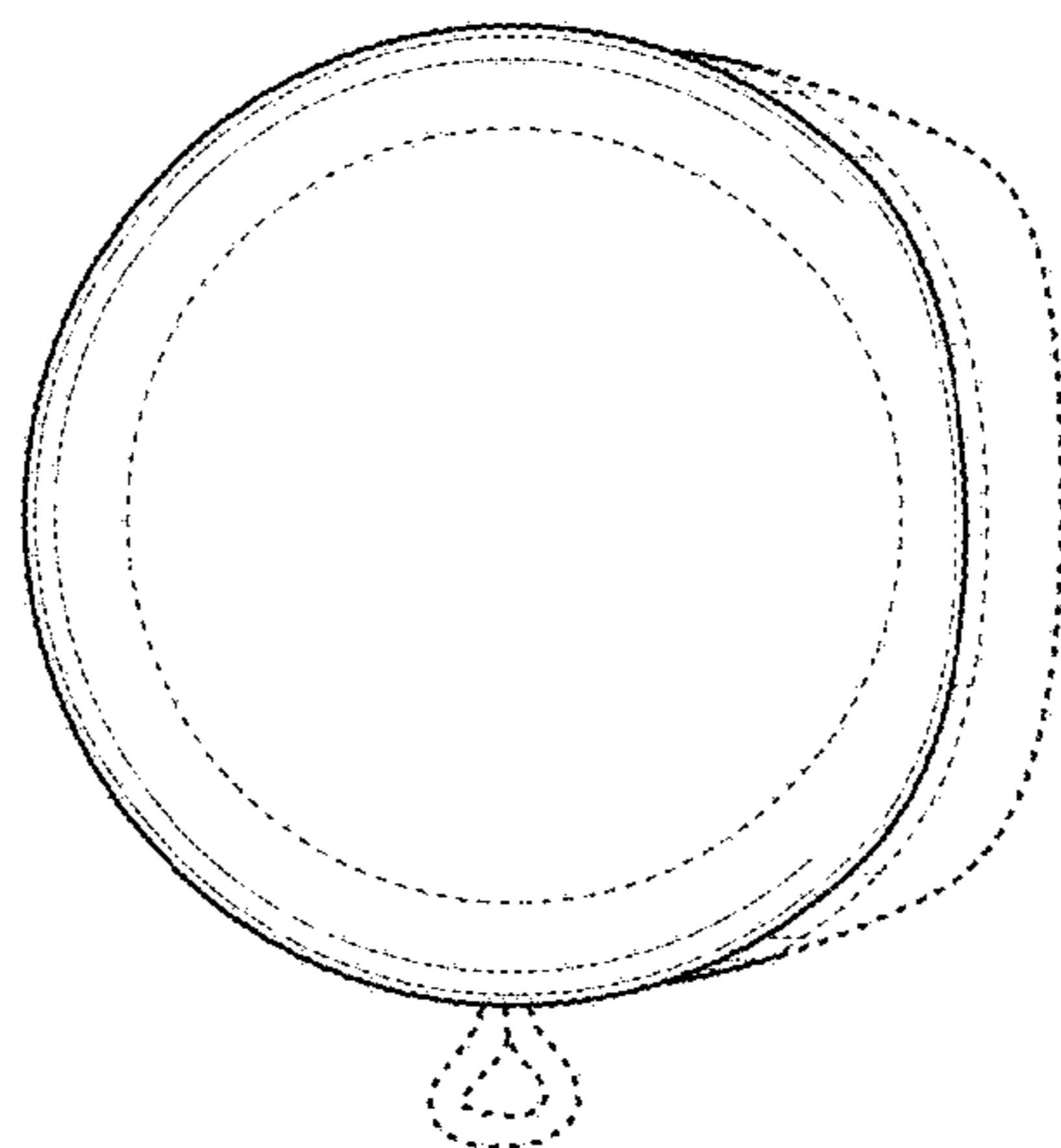


FIG. 7