



US00D859808S

(12) **United States Design Patent** (10) **Patent No.:** **US D859,808 S**
Goldszer (45) **Date of Patent:** **** Sep. 17, 2019**

(54) **UMBRELLA ANCHOR** 4,850,564 A 7/1989 Padin
4,920,897 A * 5/1990 Reed A47B 37/04
108/150

(71) Applicant: **JGR Copa LLC**, Hollywood, FL (US) 5,046,699 A 9/1991 Perreault et al.
5,098,057 A 3/1992 Gran et al.

(72) Inventor: **Jacob Goldszer**, Hollywood, FL (US) 5,122,014 A 6/1992 Genfan
5,139,219 A 8/1992 Navarro

(73) Assignee: **JGR Copa, LLC**, Hollywood, FL (US) 5,152,495 A 10/1992 Jacinto et al.
5,156,369 A 10/1992 Tizzoni
5,199,361 A * 4/1993 Robinson E05B 73/00
109/50

(**) Term: **15 Years**

(21) Appl. No.: **29/629,251** 5,230,187 A 7/1993 Reimann
D341,831 S * 11/1993 Mozdzanowski D14/168
5,271,196 A 12/1993 Fanti
5,293,889 A 3/1994 Hall et al.

(22) Filed: **Dec. 12, 2017** (Continued)

(51) **LOC (12) Cl.** **03-03**

(52) **U.S. Cl.**
USPC **D3/10**

(58) **Field of Classification Search**
USPC D3/5, 6, 10; D8/388, 391; D21/840
CPC A45B 25/00; A45B 25/02; A45B 25/18;
A45B 2025/003; A45B 2200/1009; A45B
23/00; A45B 2023/0012
See application file for complete search history.

Primary Examiner — John Windmuller
Assistant Examiner — Steven J Czyz
(74) *Attorney, Agent, or Firm* — Robert C. Kain, Jr.

(57) **CLAIM**

I claim the ornamental design for umbrella anchor, as shown and described.

DESCRIPTION

FIG. 1 is a front elevational view of the umbrella anchor, shown with the handles in an open state.
FIG. 2 is a rear elevational view thereof.
FIG. 3 is a left-side view thereof.
FIG. 4 is a right-side view thereof.
FIG. 5 is a top view thereof.
FIG. 6 is a bottom view thereof; and,
FIG. 7 is a front elevational view of the umbrella anchor, shown with the handles in a closed state.
The wavy lines wrapping around portions of the umbrella anchor indicate the appearance of any portion of the article between the break lines forms no part of the claimed design. The broken lines depict portions of the article that form no part of the claimed design.

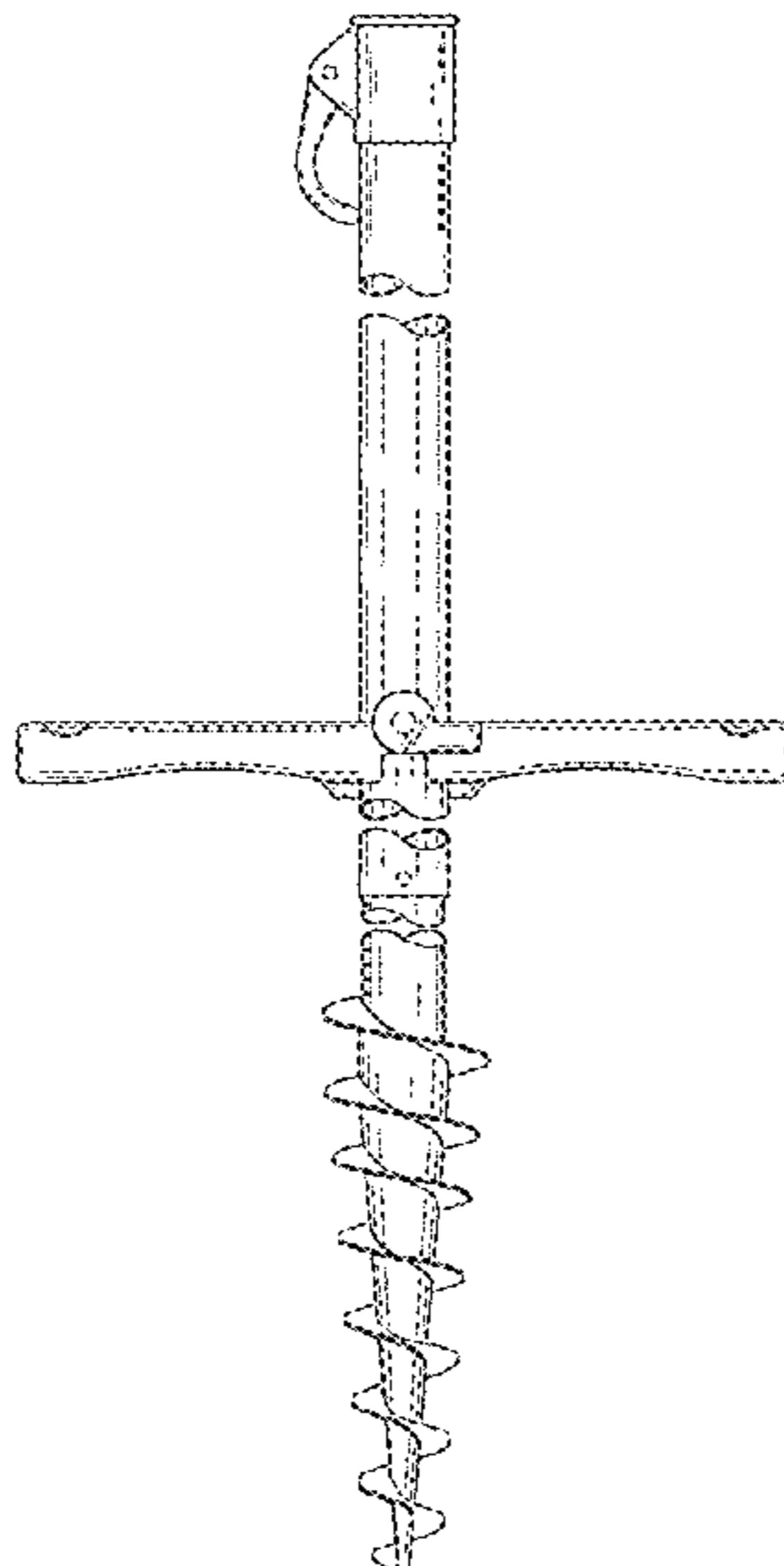
1 Claim, 6 Drawing Sheets

(56) **References Cited**

U.S. PATENT DOCUMENTS

495,471 A 4/1893 Brown
906,438 A 12/1908 Lemerand
2,103,948 A 12/1937 Jones
2,211,283 A * 8/1940 Laughlin E04H 12/2223
135/15.1
2,441,109 A * 5/1948 Carlson E04H 12/2223
248/156

2,628,797 A 2/1953 Campomar
2,643,843 A 6/1953 Brown
D196,024 S * 8/1963 McManus et al. D3/10
3,318,560 A 5/1967 Garrette, Jr. et al.
3,572,045 A 3/1971 Owen
3,710,523 A 1/1973 Taylor
4,105,039 A 8/1978 Schultes et al.
4,753,411 A 6/1988 Lechner et al.
4,832,304 A 5/1989 Morgulis



(56)

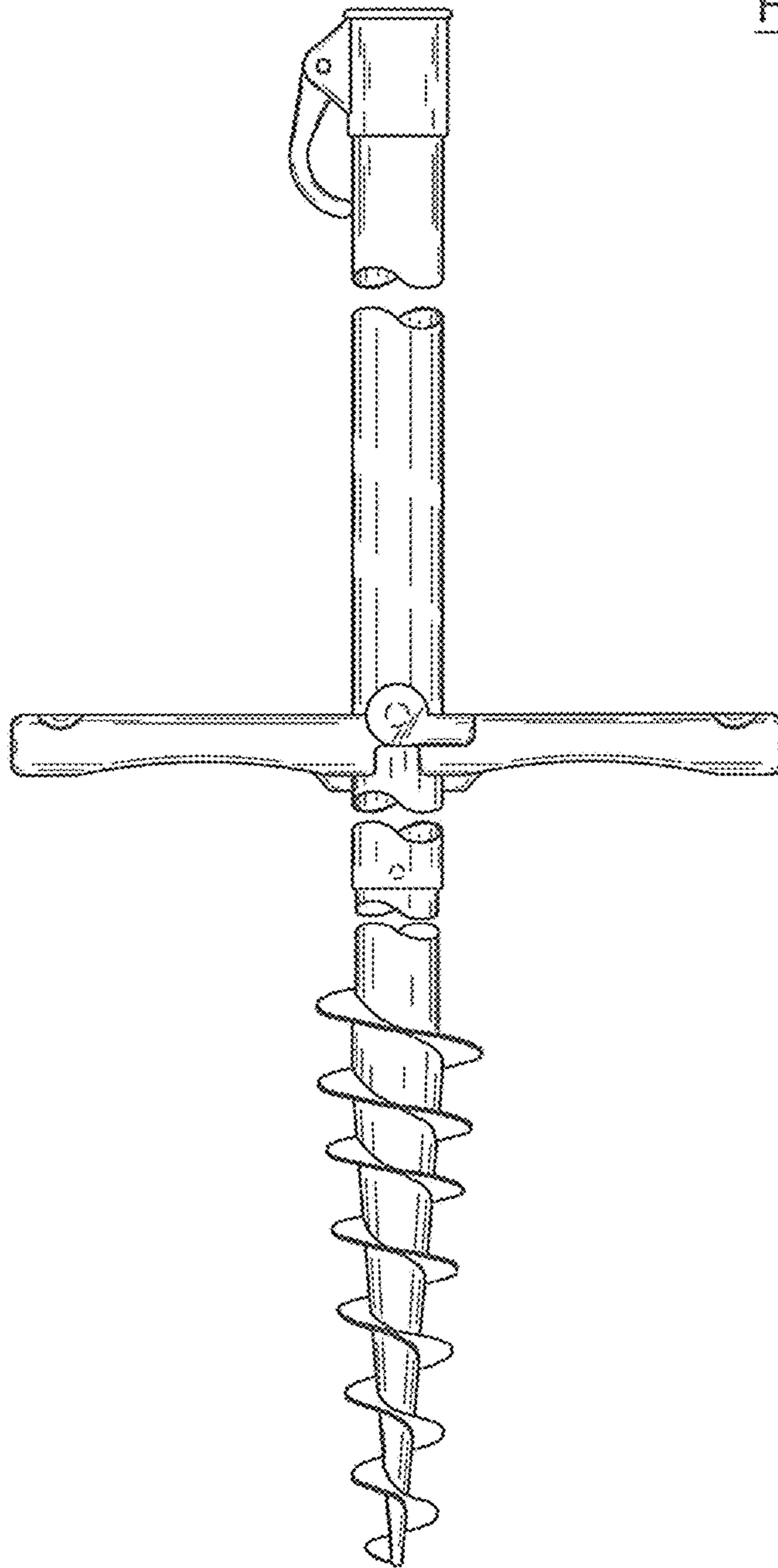
References Cited

U.S. PATENT DOCUMENTS

| | | | | | | | | | |
|----------------|---------|-----------------|-------|------------------------|-----------------|---------|-------------------|-------|-----------------------|
| D347,948 S * | 6/1994 | McKnight | | D3/10 | 6,487,977 B1 * | 12/2002 | Williams | | A45B 23/00 108/150 |
| 5,358,209 A | 10/1994 | Ward | | | 6,685,155 B1 | 2/2004 | Chen | | |
| D363,616 S * | 10/1995 | Allen | | D3/10 | 7,007,703 B2 | 3/2006 | Brooks, III | | |
| 5,454,435 A | 10/1995 | Reinhardt | | | D518,286 S | 4/2006 | Santos | | |
| 5,457,918 A | 10/1995 | Plourde | | | 7,191,996 B2 | 3/2007 | Patsalaridis | | |
| D364,286 S * | 11/1995 | Loadholtz | | D3/10 | D549,088 S * | 8/2007 | Gallien | | D8/387 |
| 5,482,246 A | 1/1996 | Derkoski | | | 7,264,210 B2 | 9/2007 | Yu | | |
| 5,662,304 A | 9/1997 | McDaniel | | | 7,503,541 B2 | 3/2009 | Harold et al. | | |
| D386,323 S * | 11/1997 | Davis | | D3/10 | 7,520,485 B1 * | 4/2009 | Giannetto | | A01K 97/10 173/91 |
| D394,544 S * | 5/1998 | Tropiano | | D3/10 | D593,315 S * | 6/2009 | Zemel | | D21/840 |
| 5,749,386 A | 5/1998 | Samuel, Jr. | | | D609,494 S * | 2/2010 | Jenkins, Sr. | | D3/10 |
| D398,363 S * | 9/1998 | LoBue | | D21/840 | D621,148 S * | 8/2010 | Brady | | D3/10 |
| D402,803 S * | 12/1998 | Goldberg | | D3/12 | D621,149 S * | 8/2010 | Brady | | D3/10 |
| 5,906,077 A | 5/1999 | Andiarena | | | D625,508 S * | 10/2010 | Thurrott | | D3/10 |
| D416,401 S * | 11/1999 | Taylor | | D3/10 | D630,834 S * | 1/2011 | Cohen | | D3/10 |
| D421,532 S * | 3/2000 | Koroncai | | D8/388 | 7,980,185 B1 * | 7/2011 | Teague, Jr. | | E05G 1/02 109/50 |
| 6,032,880 A | 3/2000 | Verrills et al. | | | D655,531 S * | 3/2012 | Gharst | | D3/10 |
| D433,224 S * | 11/2000 | Cochran, Jr. | | D3/10 | 9,221,107 B2 * | 12/2015 | Escola Puig-Corve | | E04H 12/2269 |
| 6,199,569 B1 * | 3/2001 | Gibson | | E04H 12/2223 135/16 | 9,554,630 B1 * | 1/2017 | Patel | | A45B 25/02 |
| 6,321,861 B1 | 11/2001 | Leichter | | | D809,774 S * | 2/2018 | Brady | | D3/10 |
| D456,131 S * | 4/2002 | Dotson, Jr. | | D3/10 | 9,890,551 B1 * | 2/2018 | Delao | | E04H 12/2215 |
| 6,412,235 B1 | 7/2002 | Pylant | | | D816,982 S * | 5/2018 | Martinez | | D3/10 |
| | | | | | 2006/0272687 A1 | 12/2006 | Tanner et al. | | |

* cited by examiner

FIG.1



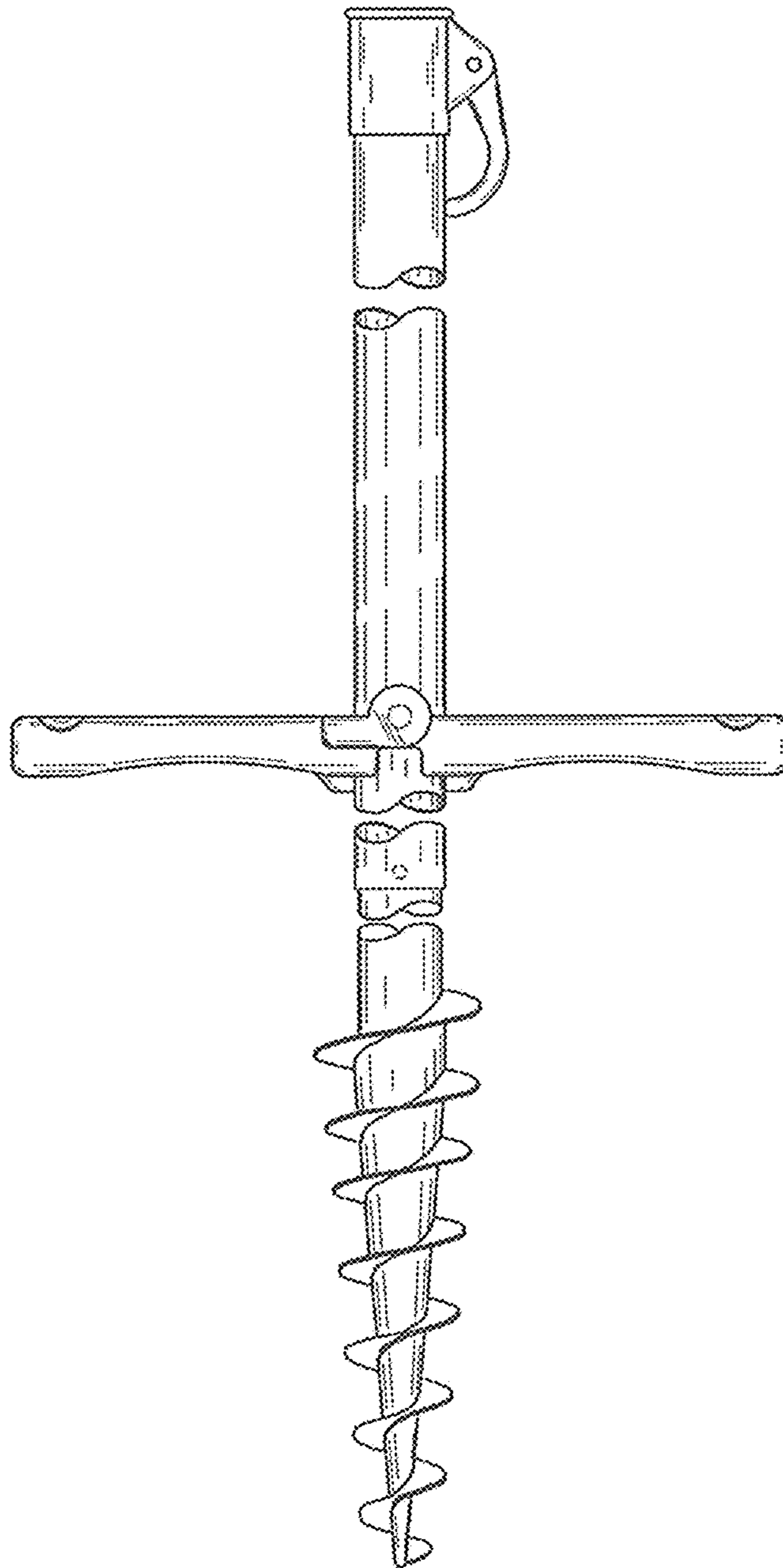


FIG.2

FIG.3

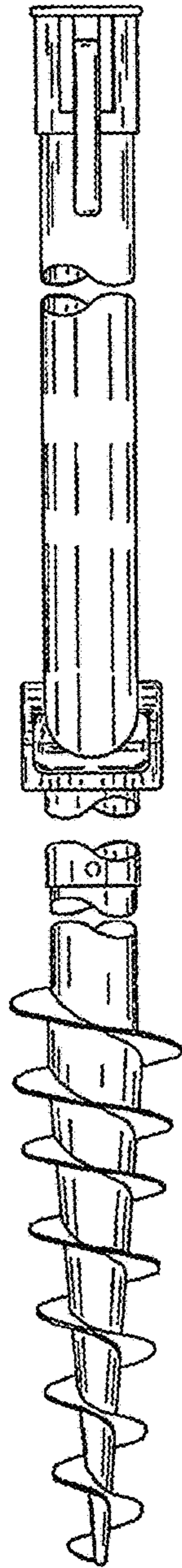
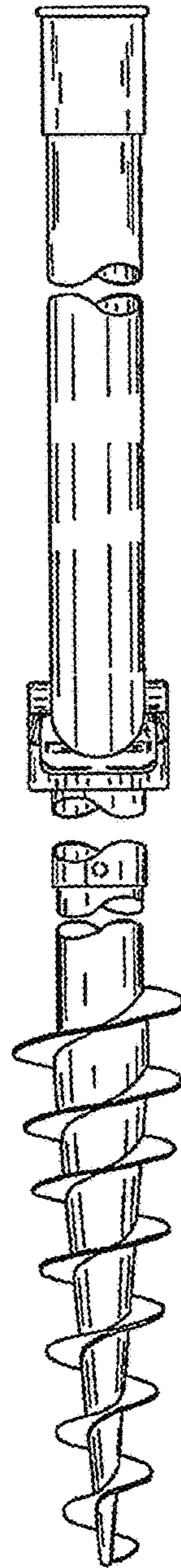


FIG.4



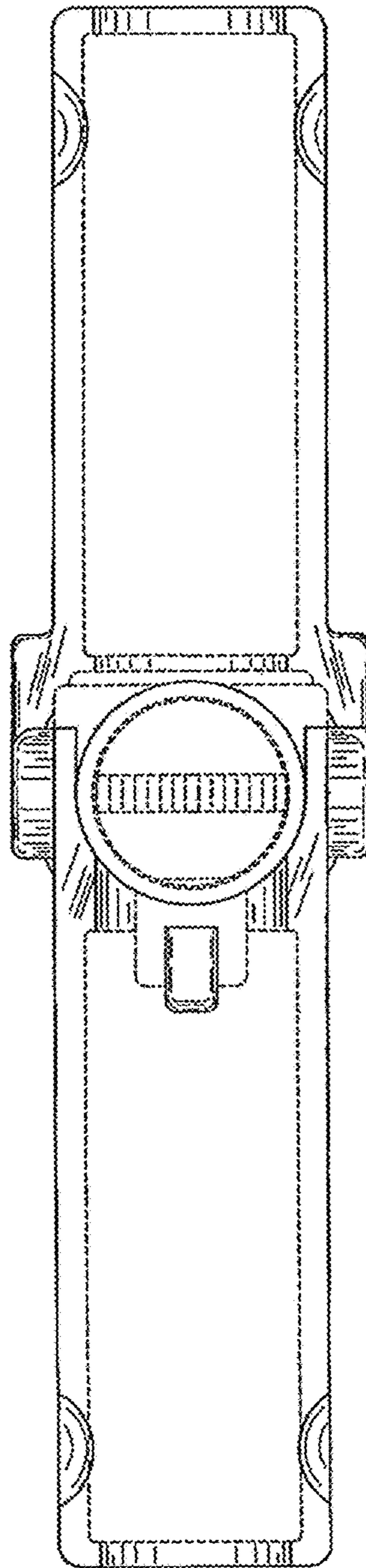


FIG.5

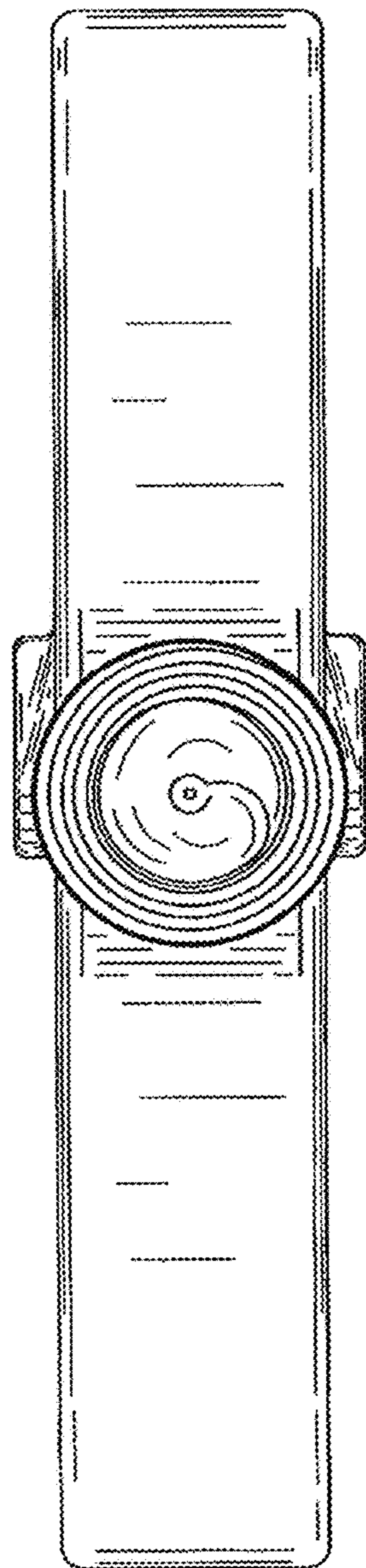


FIG.6

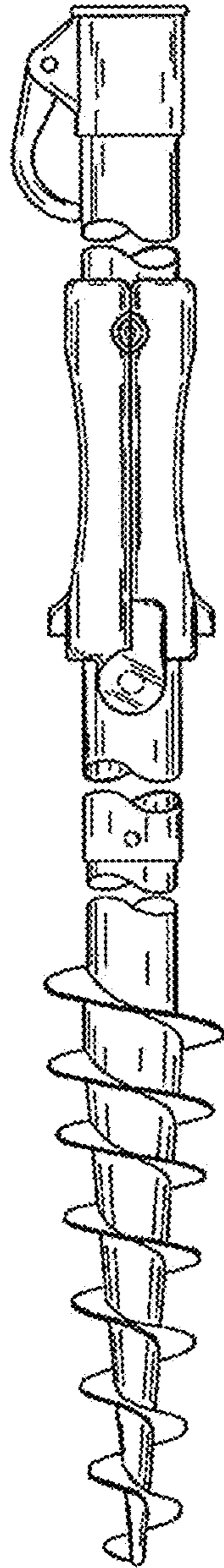


FIG.7