



US00D859795S

(12) **United States Design Patent** (10) **Patent No.:** **US D859,795 S**
Sciutto (45) **Date of Patent:** **** Sep. 17, 2019**

(54) **SHOE**

(71) Applicant: **SERGIO ROSSI S.P.A.**, San Mauro Pascoli (IT)

(72) Inventor: **Riccardo Sciutto**, Milan (IT)

(73) Assignee: **SERGIO ROSSI S.P.A.**, San Mauro Pascoli (FC) (IT)

(**) Term: **15 Years**

(21) Appl. No.: **35/503,604**

(22) Filed: **Feb. 22, 2017**

(80) **Hague Agreement Data**

Int. Filing Date: **Feb. 22, 2017**

Int. Reg. No.: **DM/095309**

Int. Reg. Date: **Feb. 22, 2017**

Int. Reg. Pub. Date: **Aug. 25, 2017**

(30) **Foreign Application Priority Data**

Sep. 23, 2016 (IT) 402016000095871

(51) **LOC (12) Cl.** **02-04**

(52) **U.S. Cl.**
USPC **D2/923**

(58) **Field of Classification Search**
USPC D2/896, 902, 905, 906, 907, 908, 943,
D2/944, 945, 946, 947, 951, 960, 964,
D2/969, 972, 916-918, 909-913
CPC ... A43B 13/141; A43B 23/0235; A43B 13/16;
A43B 13/181; A43B 13/184; A43B
13/187; A43B 13/188; A43B 23/025;
A43B 3/14; A43B 9/02; A43B 13/22

See application file for complete search history.

(56) **References Cited**

U.S. PATENT DOCUMENTS

D115,923 S *	8/1939	Grosvenor	D2/923
D119,654 S *	3/1940	Chedekel	D2/923
D136,913 S *	12/1943	Keyes	D2/922
D146,768 S *	5/1947	Henkel	D2/943
D147,356 S *	8/1947	Stritter	D2/923
2,472,265 A *	6/1949	Phillips	A43B 3/14 12/142 MC
2,548,961 A *	4/1951	Foster	A43B 3/14 36/11
D652,612 S *	1/2012	Campbell	D2/923
D723,770 S *	3/2015	Pozzi	D2/946
D770,150 S *	11/2016	Hardy	D2/923
D815,400 S *	4/2018	Bastoni	D2/923
D821,071 S *	6/2018	Kirkwood	D2/939

* cited by examiner

Primary Examiner — Jennifer L Watkins

(74) *Attorney, Agent, or Firm* — Howson & Howson LLP

(57) **CLAIM**

The ornamental design for a shoe, as shown and described.

DESCRIPTION

1. Shoe

The present design relates to a shoe, more particularly a women's slipper-like shoe; the design is illustrated in the accompanying reproductions, wherein:

figure 1.1 is a perspective view of a shoe showing the design;

figure 1.2 is a left side view of the shoe;

figure 1.3 is a right side view of the shoe;

figure 1.4 is a front view of the shoe;

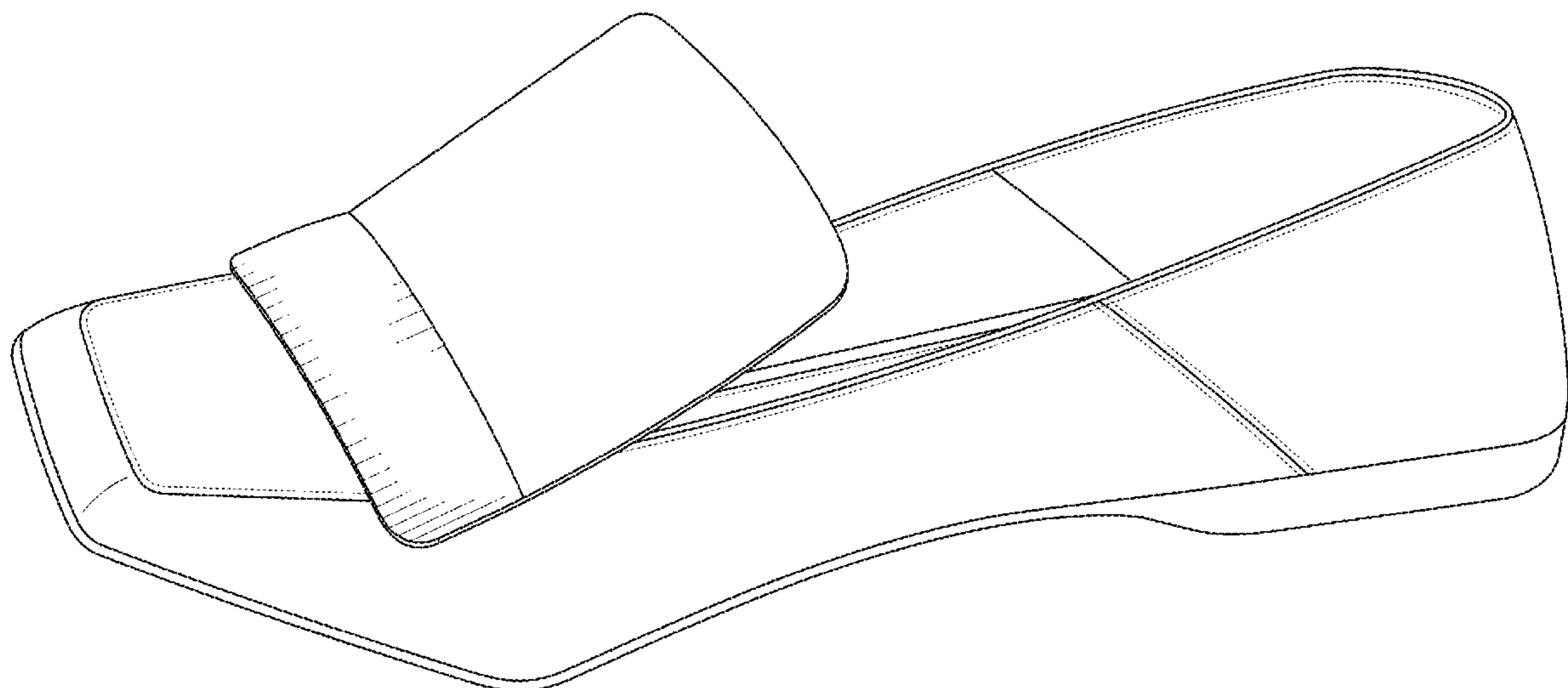
figure 1.5 is a rear view of the shoe;

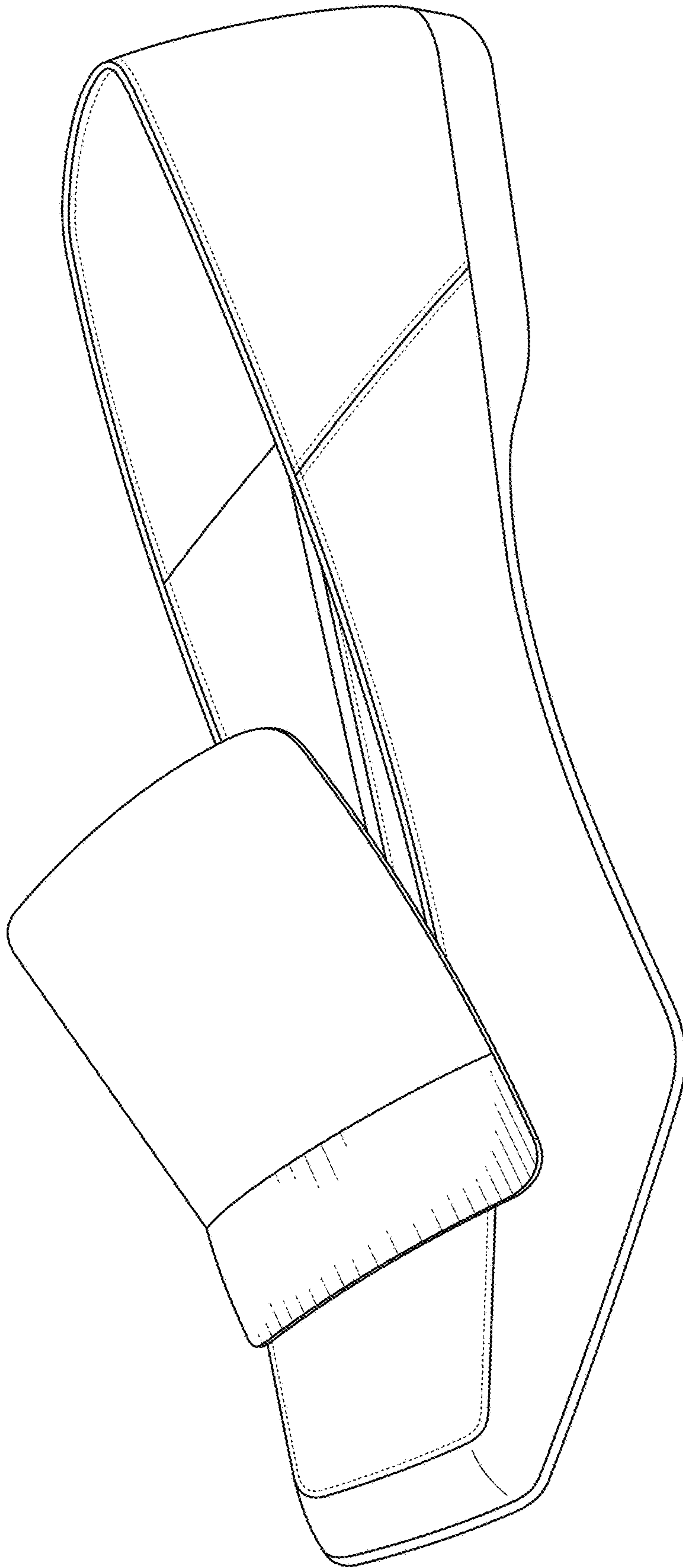
figure 1.6 is a top view of the shoe;

figure 1.7 is a bottom view of the shoe;

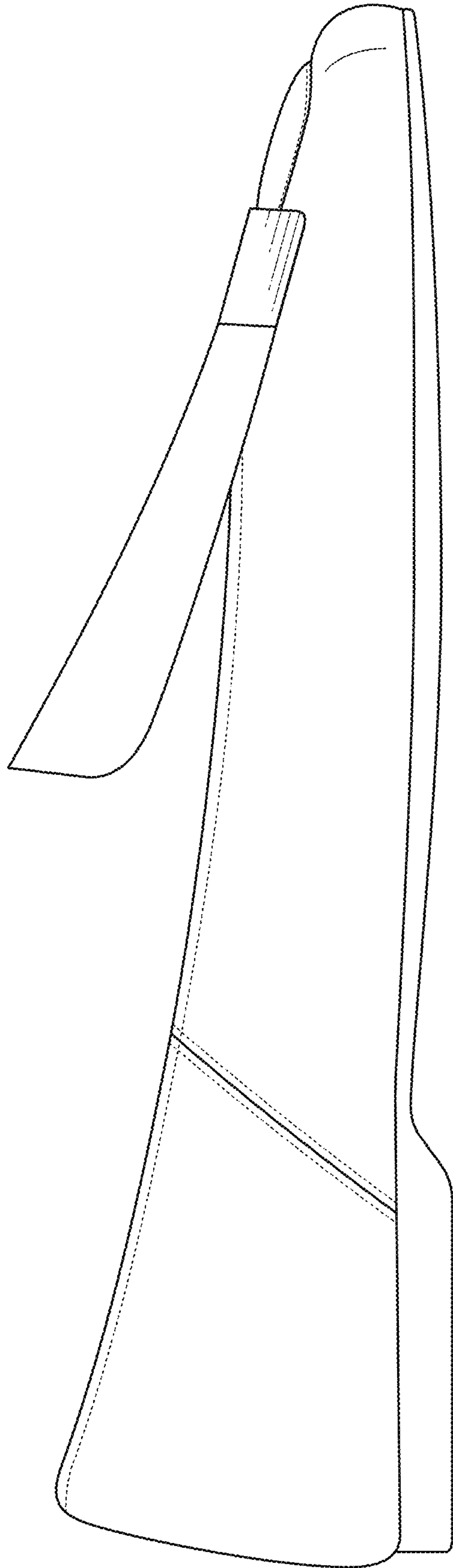
the broken lines in figure 1.1 -1.7 represent stitches which do not form part of the claimed subject matter of the design.

1 Claim, 7 Drawing Sheets

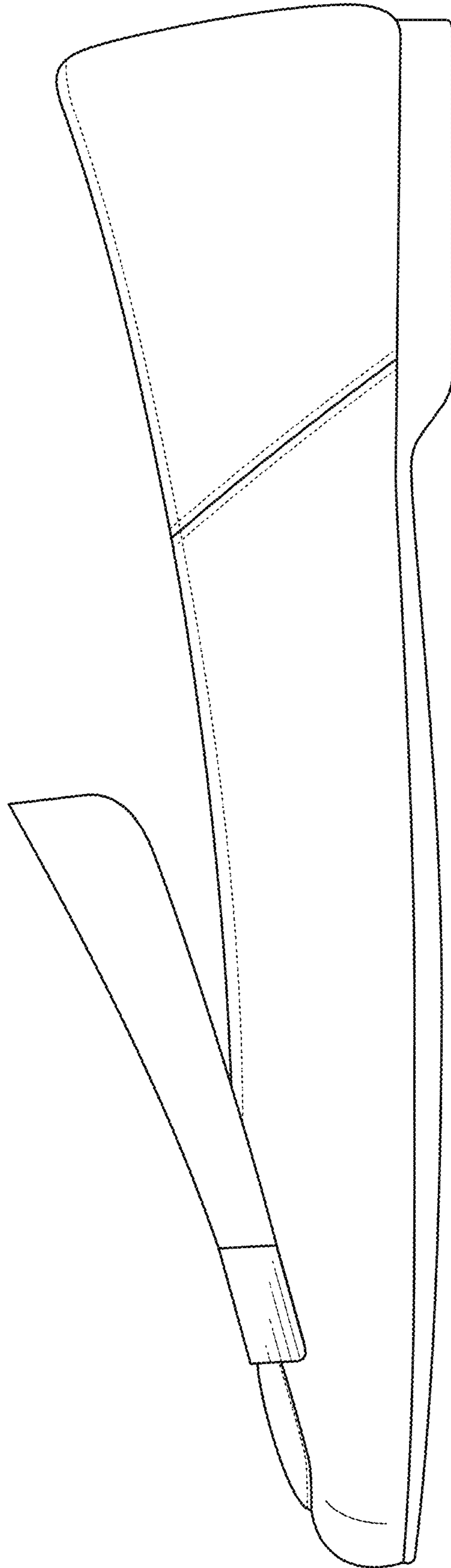




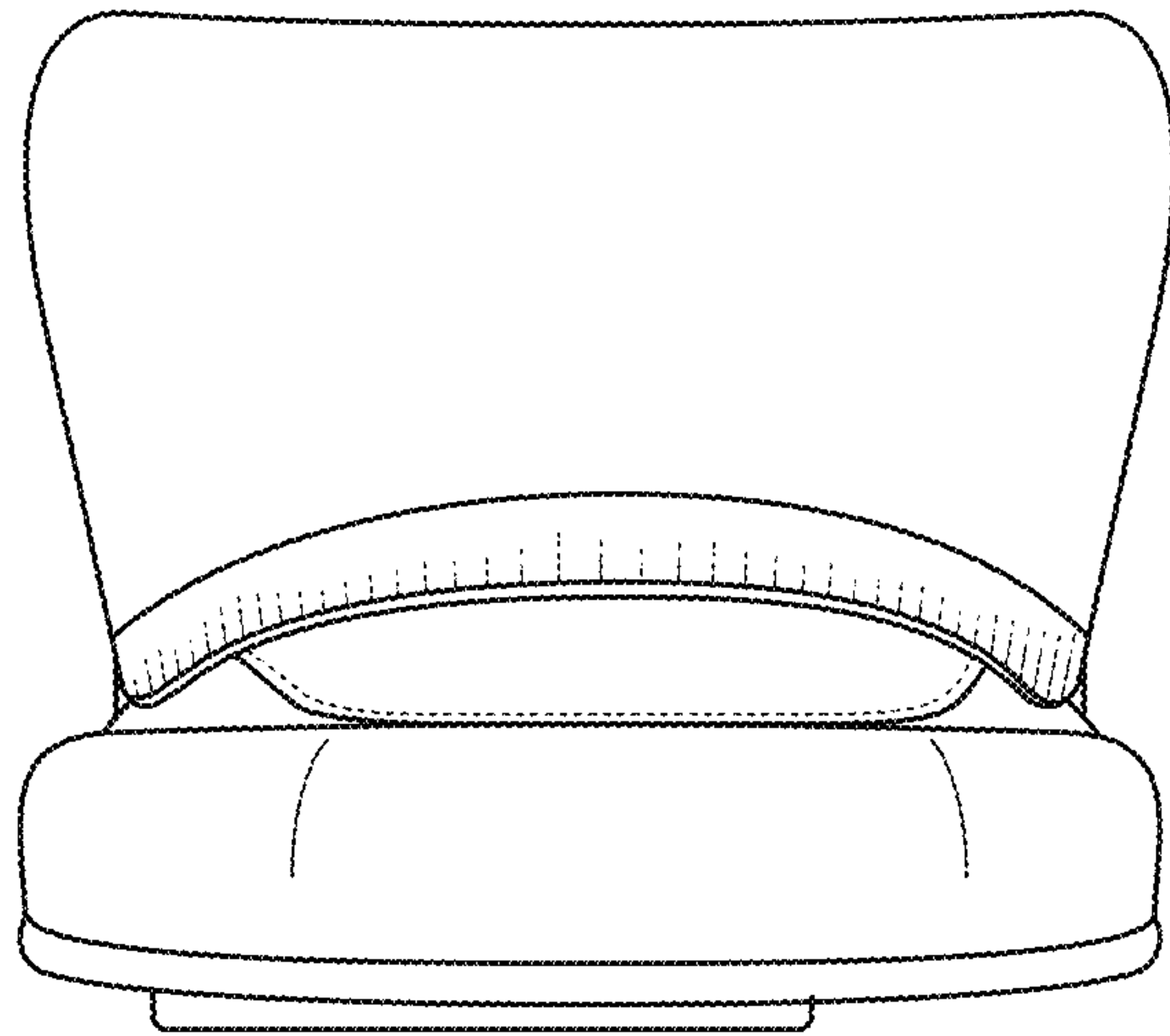
1.1



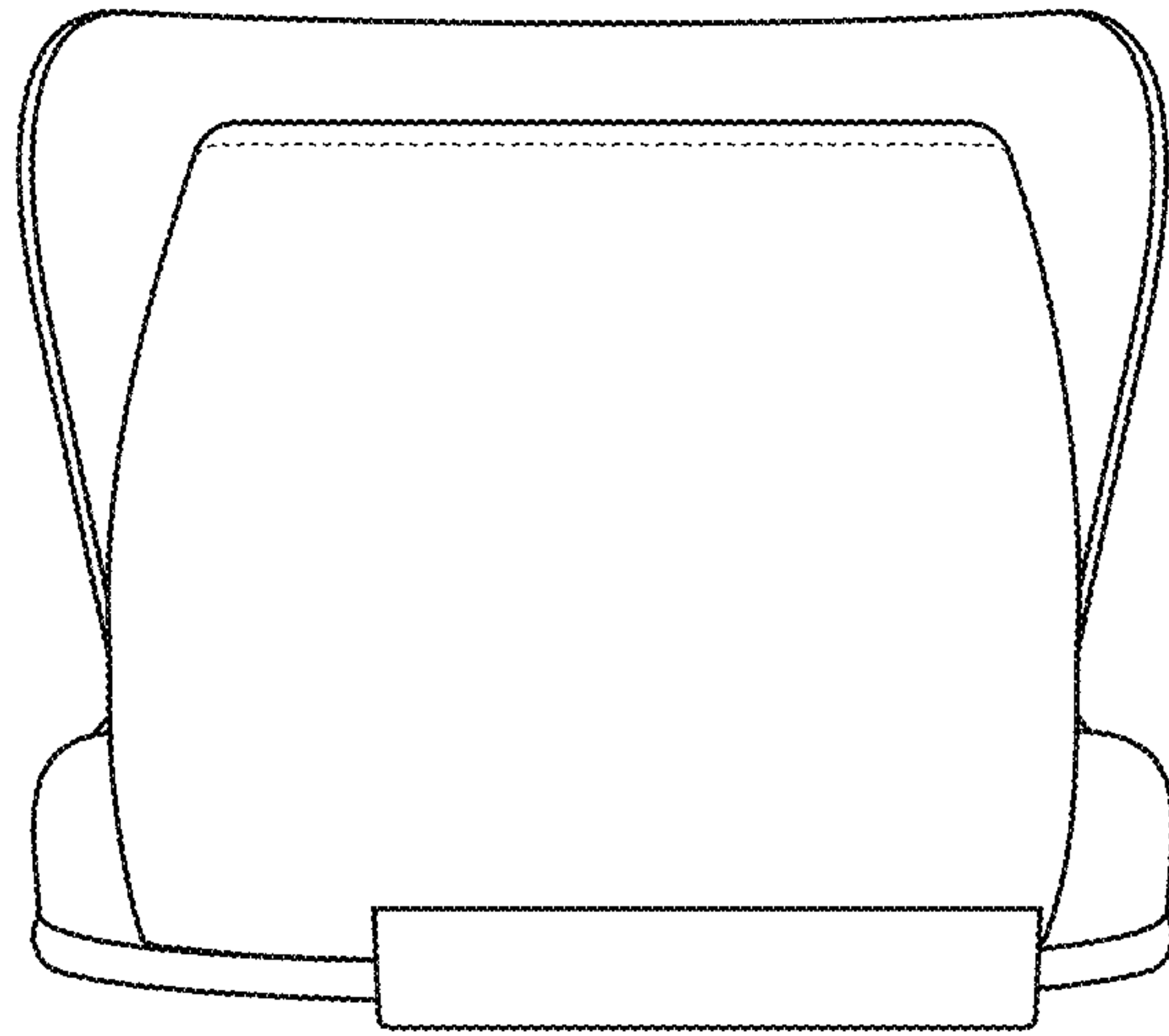
1.2



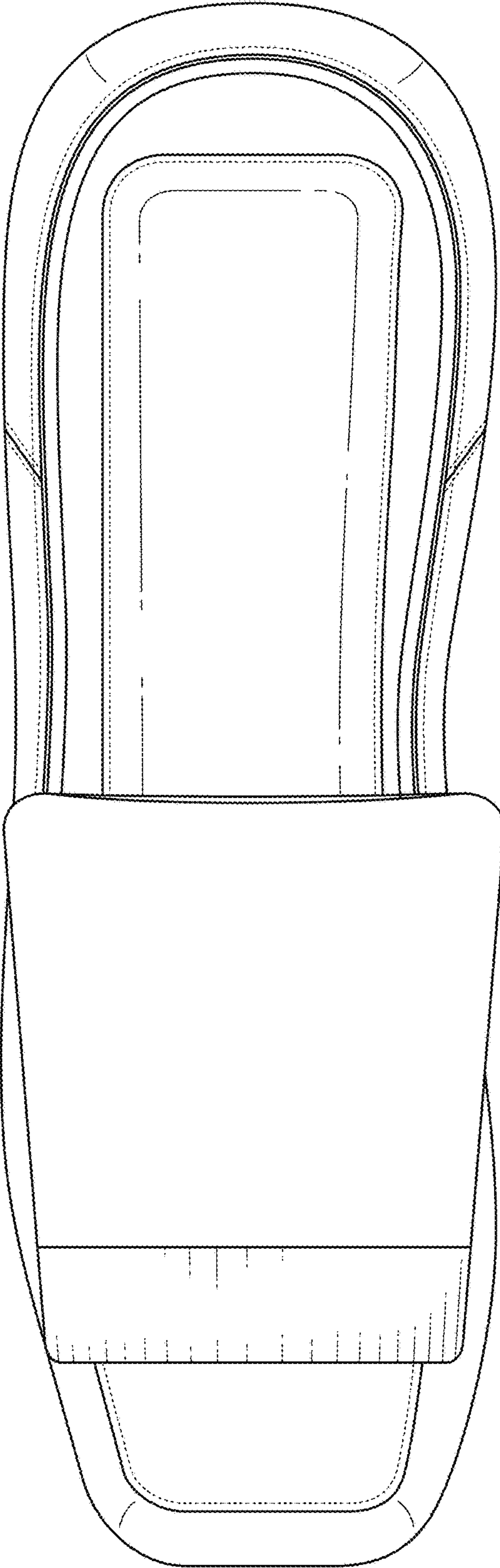
1.3



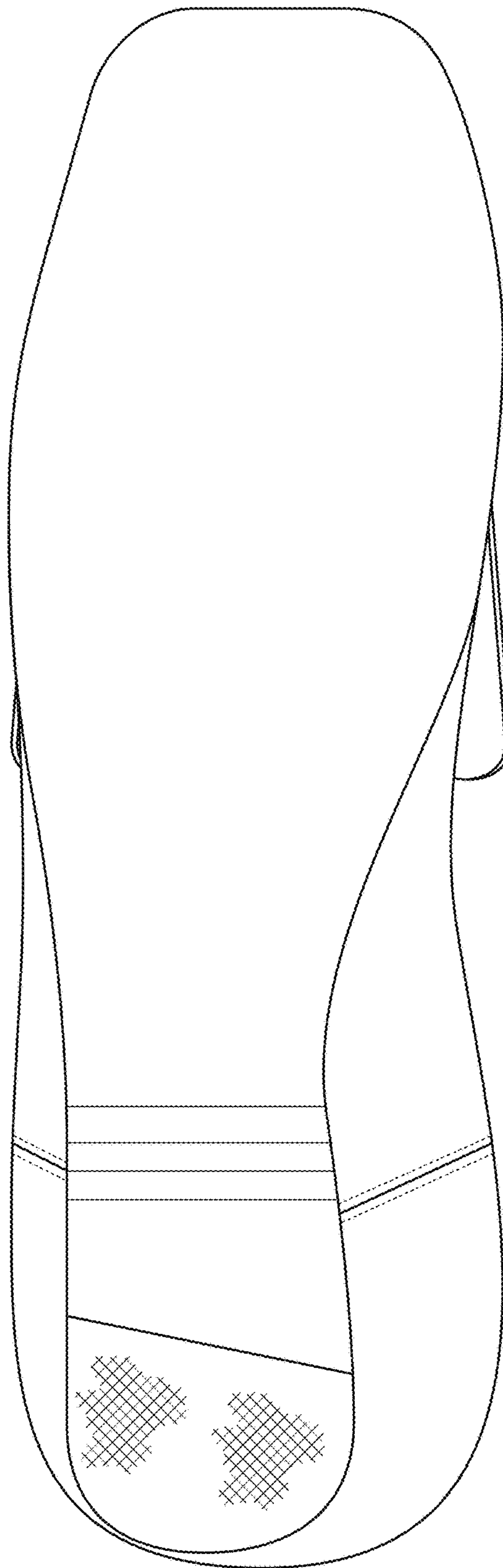
1.4



1.5



1.6



1.7