



US00D859790S

(12) **United States Design Patent**
Gill et al.

(10) **Patent No.:** **US D859,790 S**

(45) **Date of Patent:** **** Sep. 17, 2019**

(54) **JACKET**

(71) Applicant: **KwikSpace Guam, Inc.**, Hagatna, GU (US)

(72) Inventors: **Peter E. Gill**, Tamuning, GU (US);
Peter E. Gill, III, Tamuning, GU (US)

(73) Assignee: **KWIKSPACE GUAM**, Hagatna, GU (US)

(**) Term: **15 Years**

(21) Appl. No.: **29/649,770**

(22) Filed: **Jun. 1, 2018**

(51) **LOC (12) Cl.** **02-02**

(52) **U.S. Cl.**
USPC **D2/828**

(58) **Field of Classification Search**
USPC D2/828-829, 839; D29/100, 101.4;
441/102
CPC A41D 1/02; A41D 3/00
See application file for complete search history.

(56) **References Cited**

U.S. PATENT DOCUMENTS

D638,200 S * 5/2011 Gorson D2/831
D684,749 S * 6/2013 Reisler D2/828

D703,921 S * 5/2014 Reisler D2/828
D797,378 S * 9/2017 Gill D29/101.4
D804,100 S * 11/2017 Gill D29/101.4
D809,745 S * 2/2018 Crowe D2/828
D836,299 S * 12/2018 Lamprey D2/839
D845,587 S * 4/2019 Gill D2/828
2013/0254980 A1 * 10/2013 Underwood D02G 3/443
2/458

* cited by examiner

Primary Examiner — Catherine R Oliver-Garcia

Assistant Examiner — J. Thorn, Sr.

(74) *Attorney, Agent, or Firm* — Donald J. Ersler

(57) **CLAIM**

The ornamental design for a jacket, as shown and described.

DESCRIPTION

FIG. 1 is a top perspective view of a jacket incorporating our new design;

FIG. 2 is a rear bottom perspective view thereof;

FIG. 3 is a top plan view thereof; and

FIG. 4 is a bottom plan view thereof.

FIG. 5 is a left side view thereof;

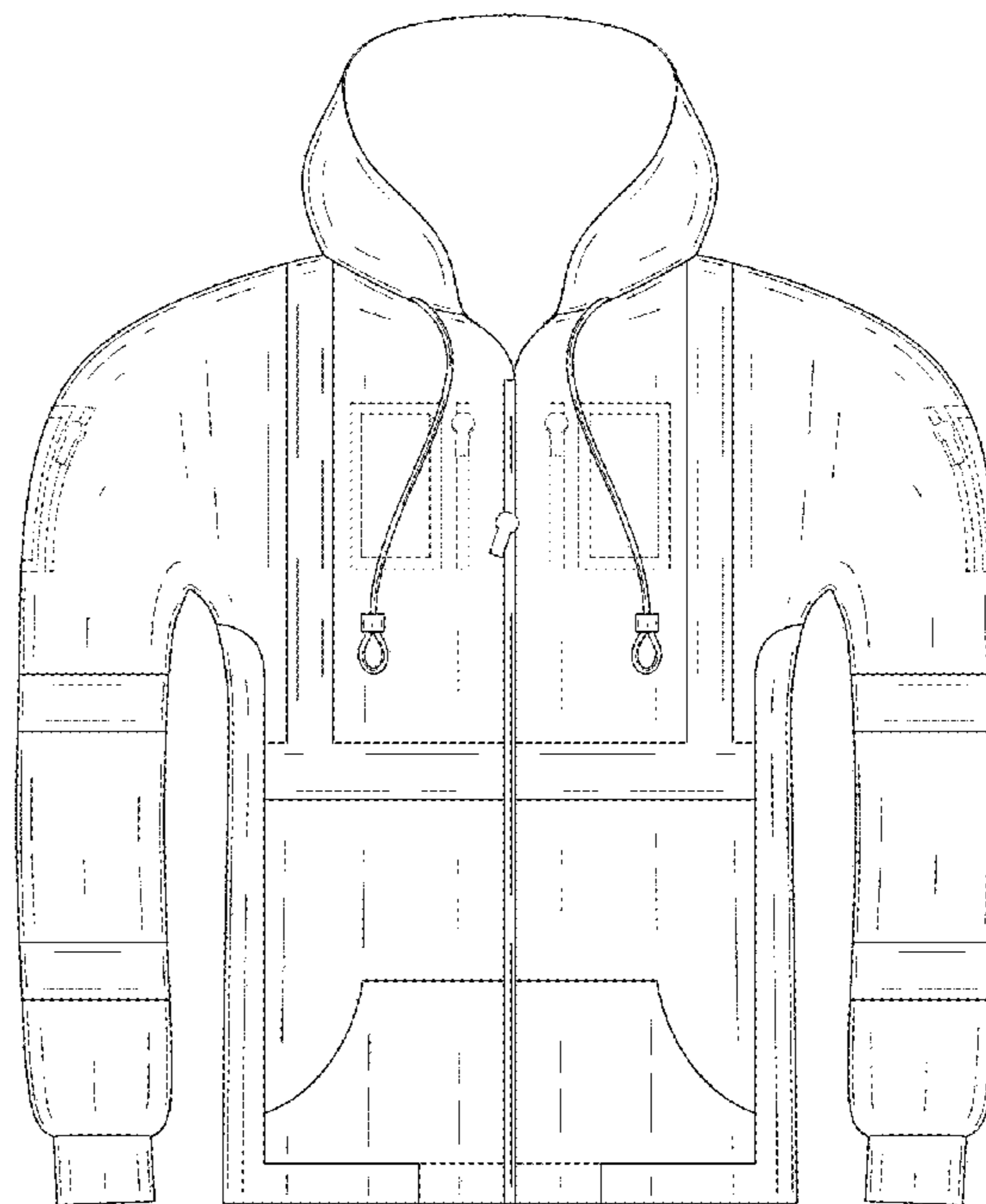
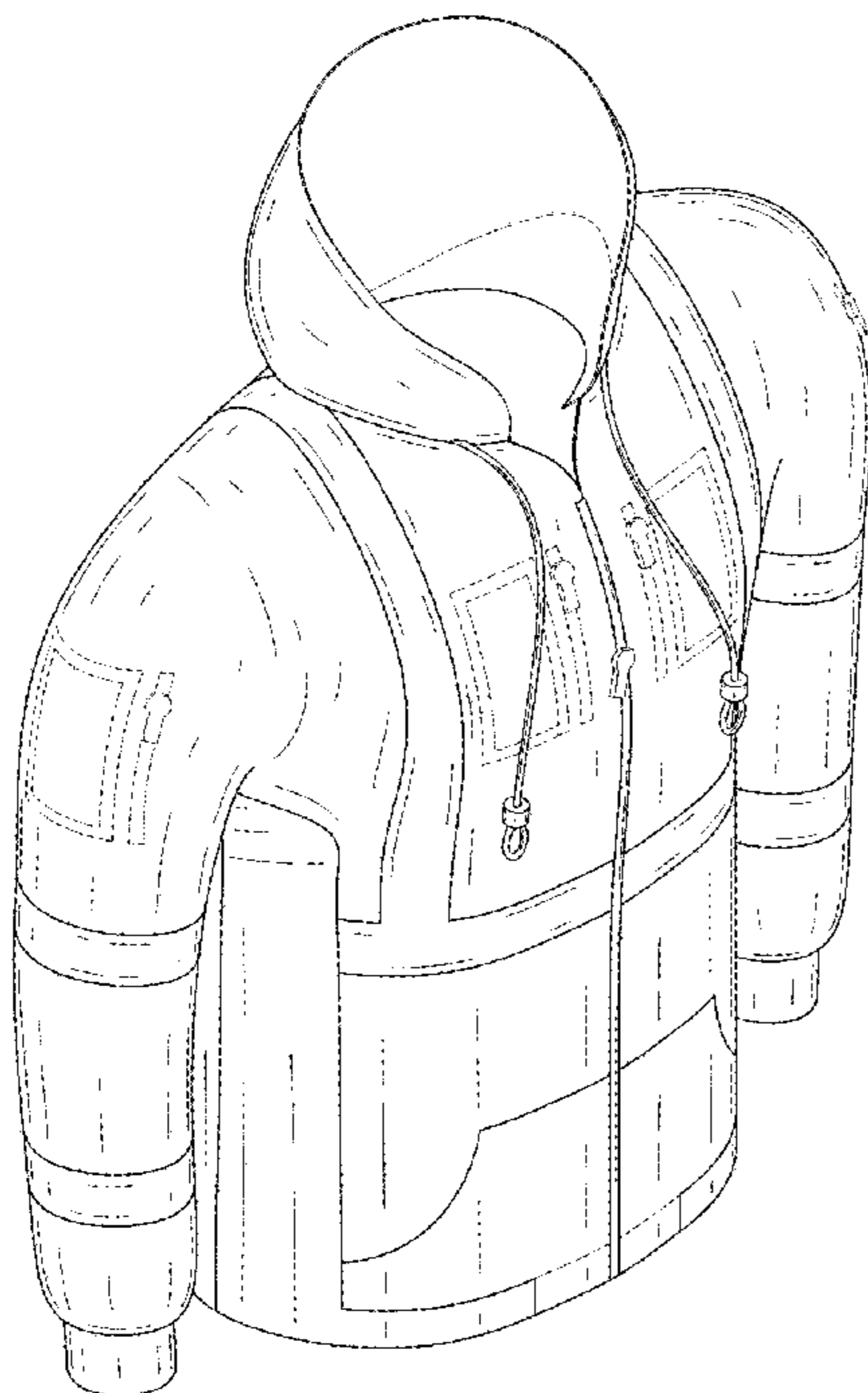
FIG. 6 is a right side view thereof;

FIG. 7 is a front view thereof; and,

FIG. 8 is a rear view thereof.

The broken lines shown in the drawings illustrate portions of the jacket that form no part of the claimed invention.

1 Claim, 6 Drawing Sheets



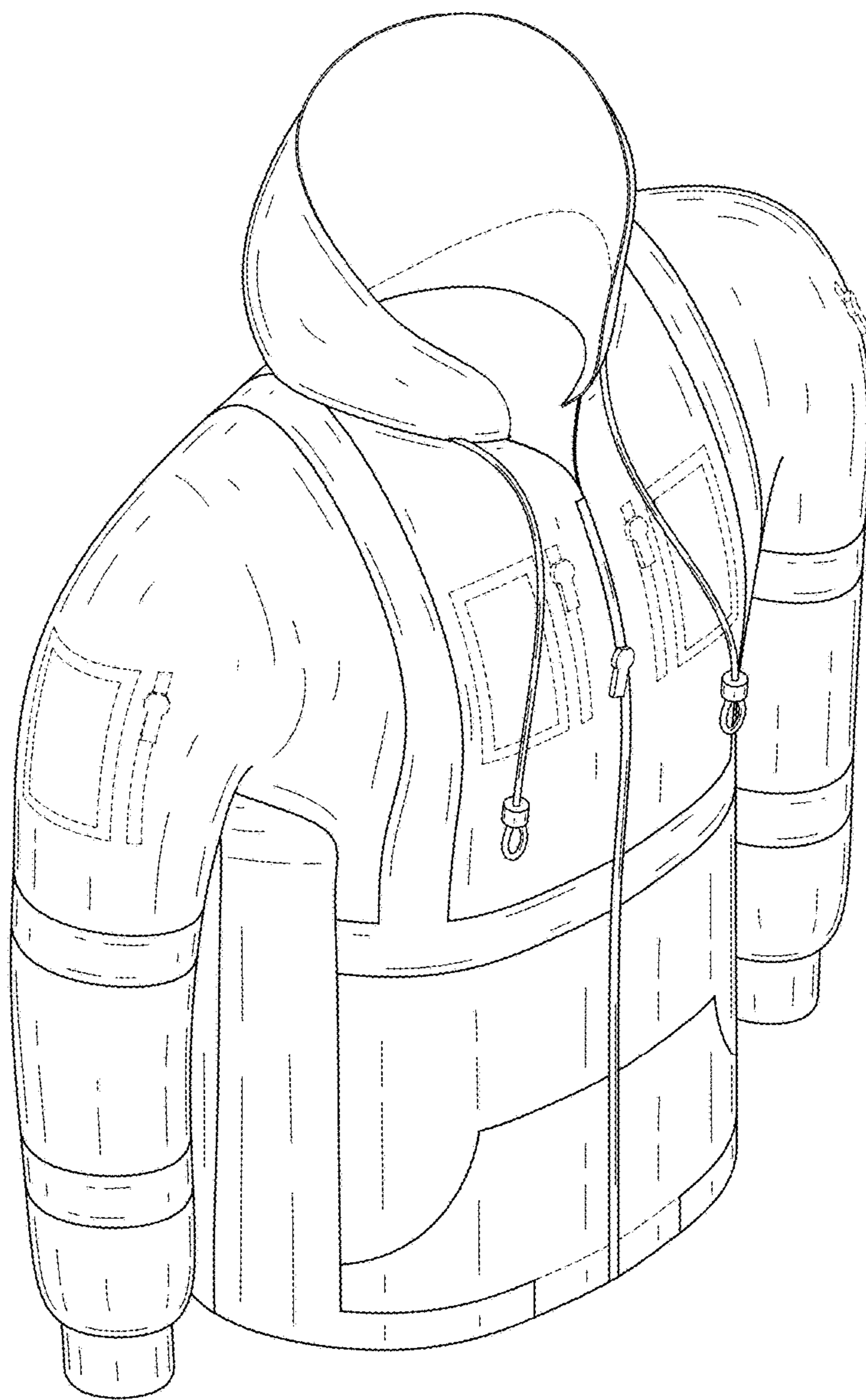


FIG. 1

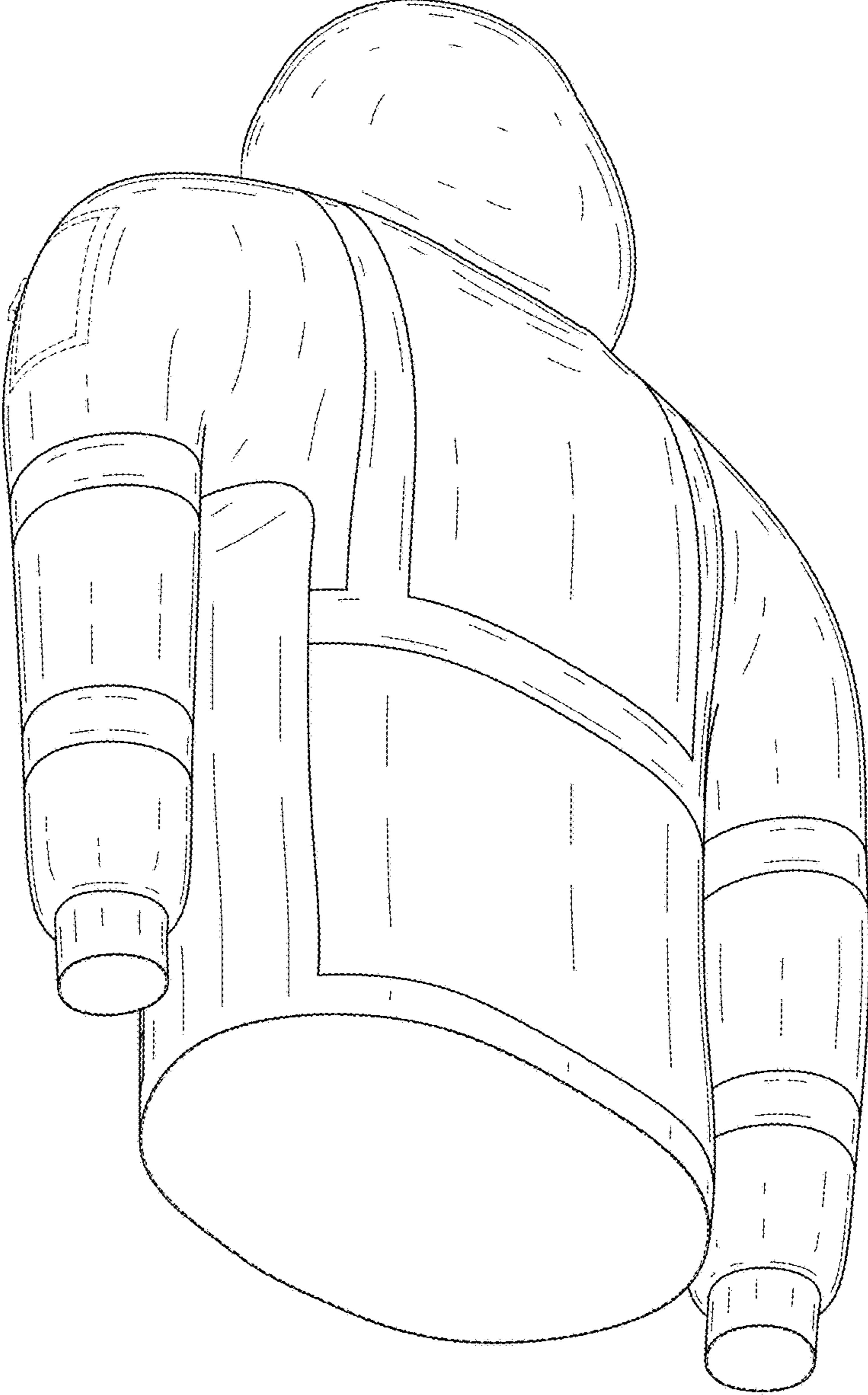


FIG. 2

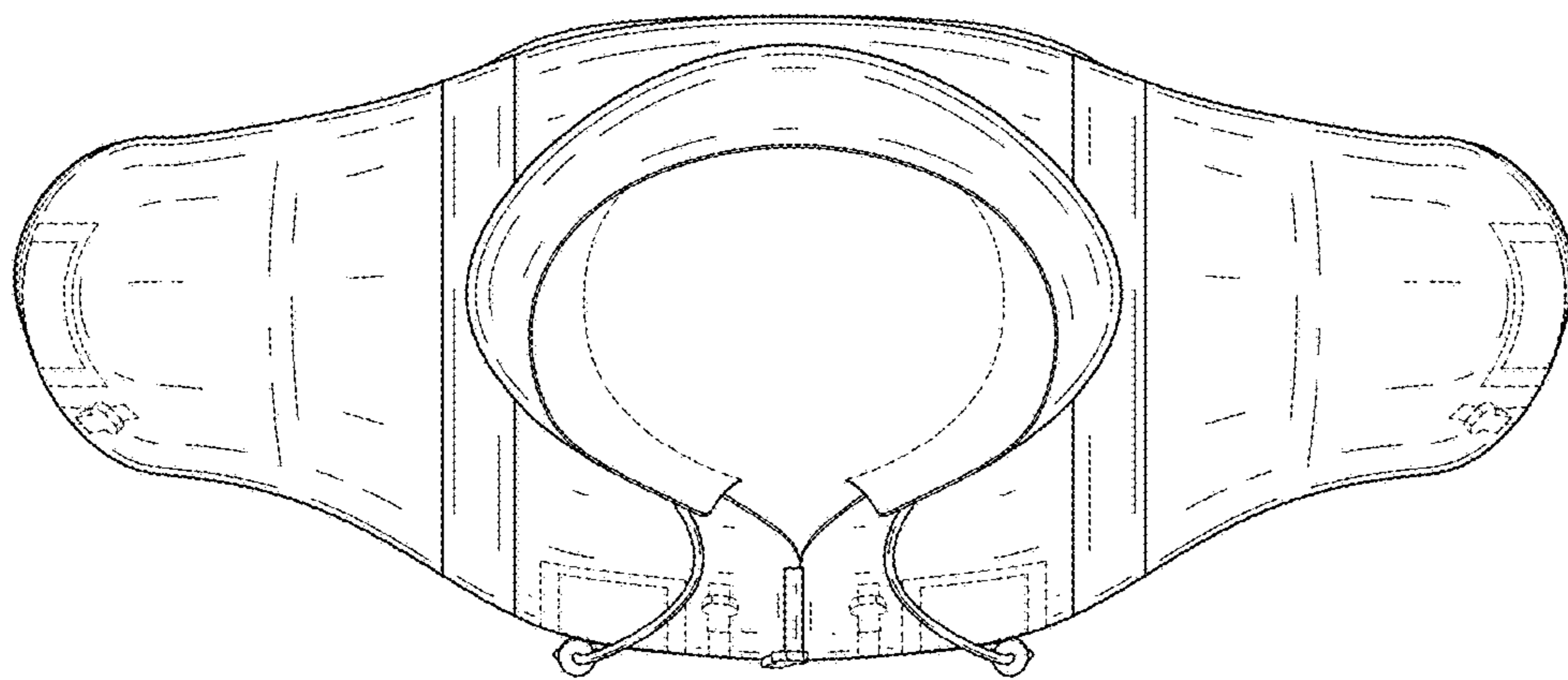


FIG. 3

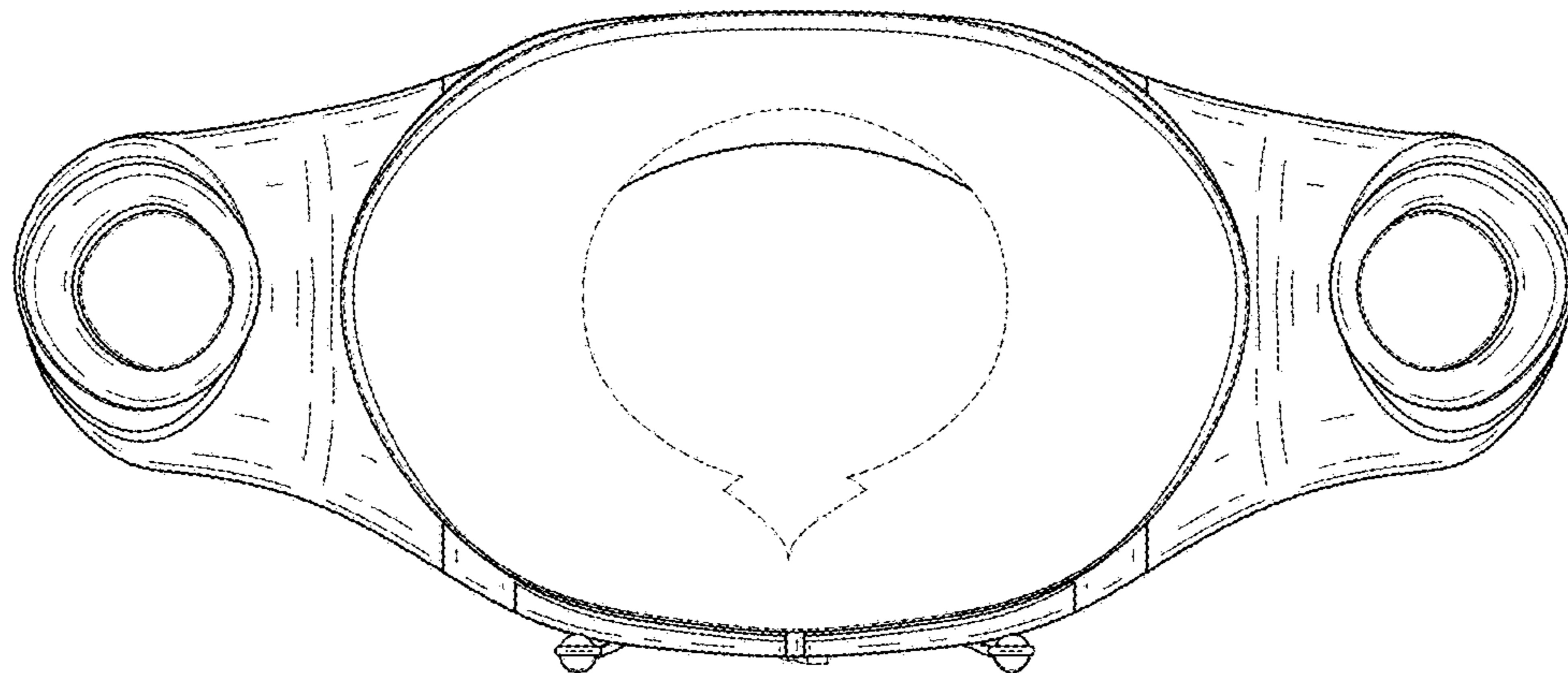


FIG. 4

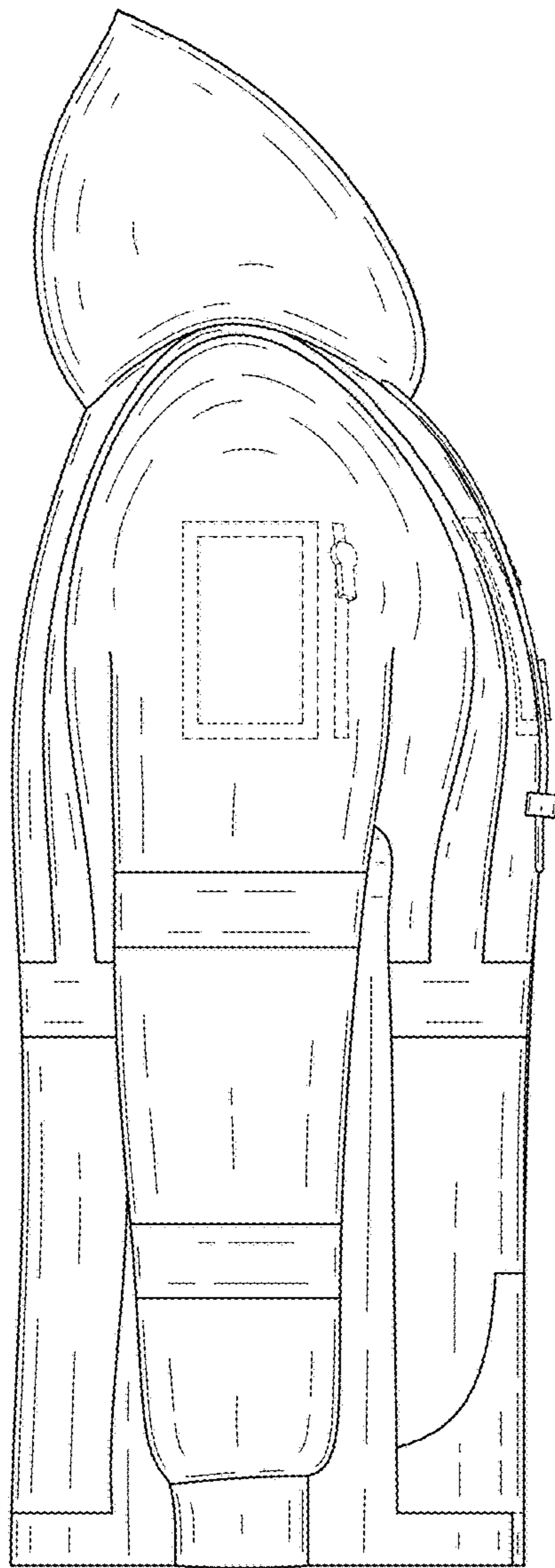


FIG. 5

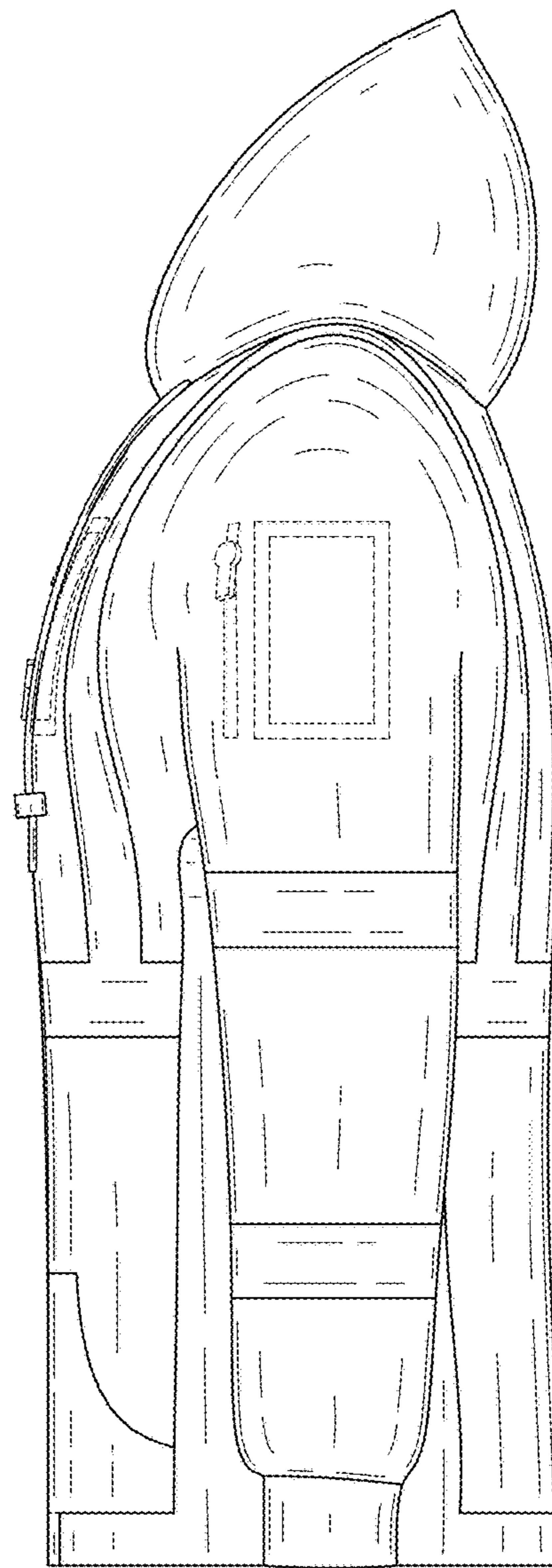


FIG. 6

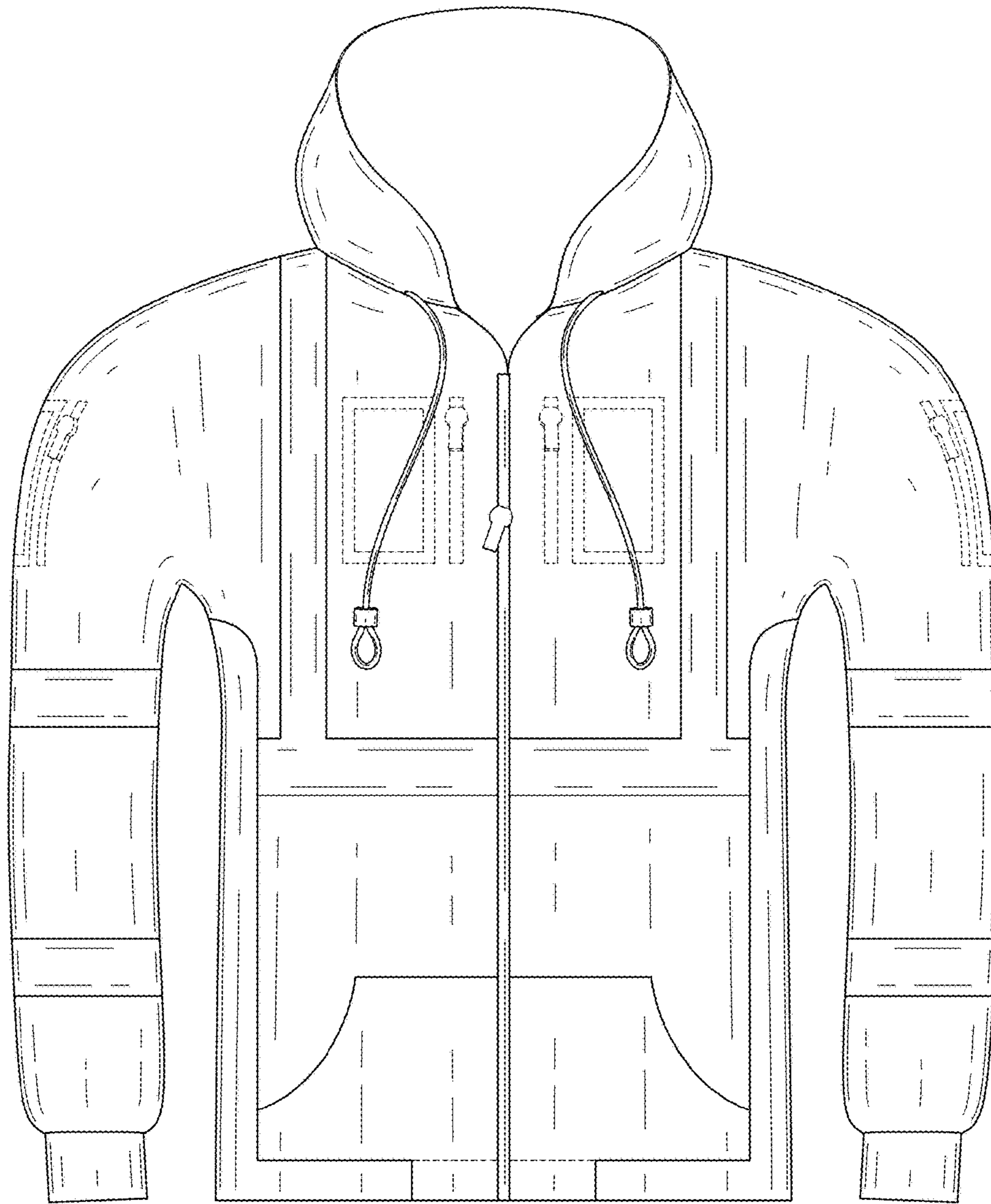


FIG. 7

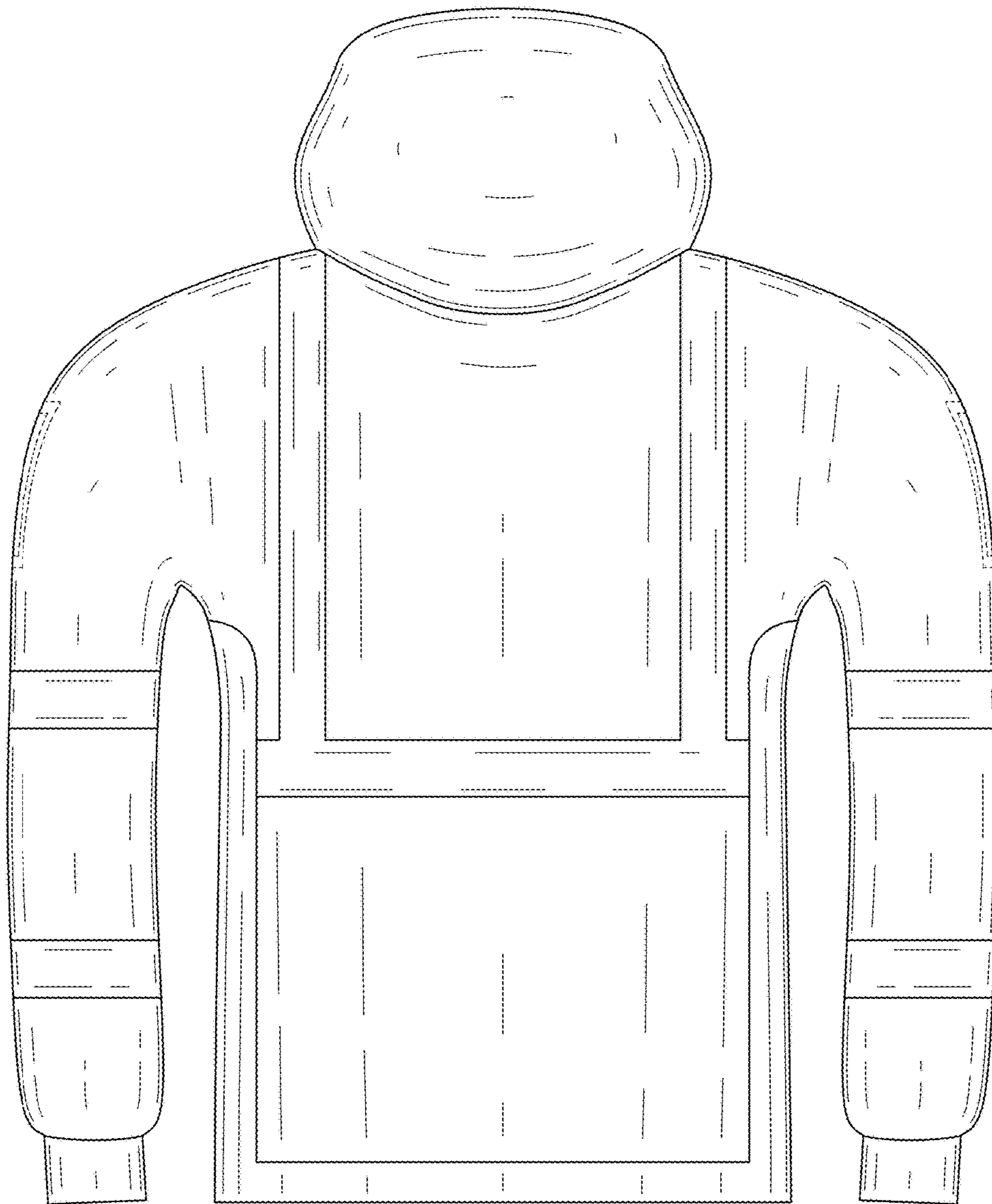


FIG. 8