

US00D859789S

(12) **United States Design Patent**  
**Gill et al.**

(10) **Patent No.:** **US D859,789 S**

(45) **Date of Patent:** **\*\* Sep. 17, 2019**

(54) **JACKET**

(71) Applicant: **KwikSpace Guam, Inc.**, Hagatna, GU (US)

(72) Inventors: **Peter E. Gill**, Tamuning, GU (US);  
**Peter E. Gill, III**, Tamuning, GU (US)

(73) Assignee: **KWIKSPACE GUAM**, Hagatna, GU (US)

(\*\*) Term: **15 Years**

(21) Appl. No.: **29/649,759**

(22) Filed: **Jun. 1, 2018**

(51) **LOC (12) Cl.** ..... **02-02**

(52) **U.S. Cl.**  
USPC ..... **D2/828**

(58) **Field of Classification Search**  
USPC ..... D2/828-829, 839; D29/100, 101.4;  
441/102  
CPC ..... A41D 1/02; A41D 3/00  
See application file for complete search history.

(56) **References Cited**

**U.S. PATENT DOCUMENTS**

D638,200 S \* 5/2011 Gorson ..... D2/831  
D684,749 S \* 6/2013 Reisler ..... D2/828

D703,921 S \* 5/2014 Reisler ..... D2/828  
D797,378 S \* 9/2017 Gill ..... D29/101.4  
D804,100 S \* 11/2017 Gill ..... D29/101.4  
D809,745 S \* 2/2018 Crowe ..... D2/828  
D836,299 S \* 12/2018 Lamprey ..... D2/839  
D845,587 S \* 4/2019 Gill ..... D2/828  
2013/0254980 A1 \* 10/2013 Underwood ..... D02G 3/443  
2/458

\* cited by examiner

*Primary Examiner* — Catherine R Oliver-Garcia

*Assistant Examiner* — J. Thorn, Sr.

(74) *Attorney, Agent, or Firm* — Donald J. Ersler

(57) **CLAIM**

The ornamental design for a jacket, as shown and described.

**DESCRIPTION**

FIG. 1 is a top perspective view of a jacket incorporating our new design;

FIG. 2 is a rear bottom perspective view thereof;

FIG. 3 is a top plan view thereof; and

FIG. 4 is a bottom plan view thereof.

FIG. 5 is a left side view thereof;

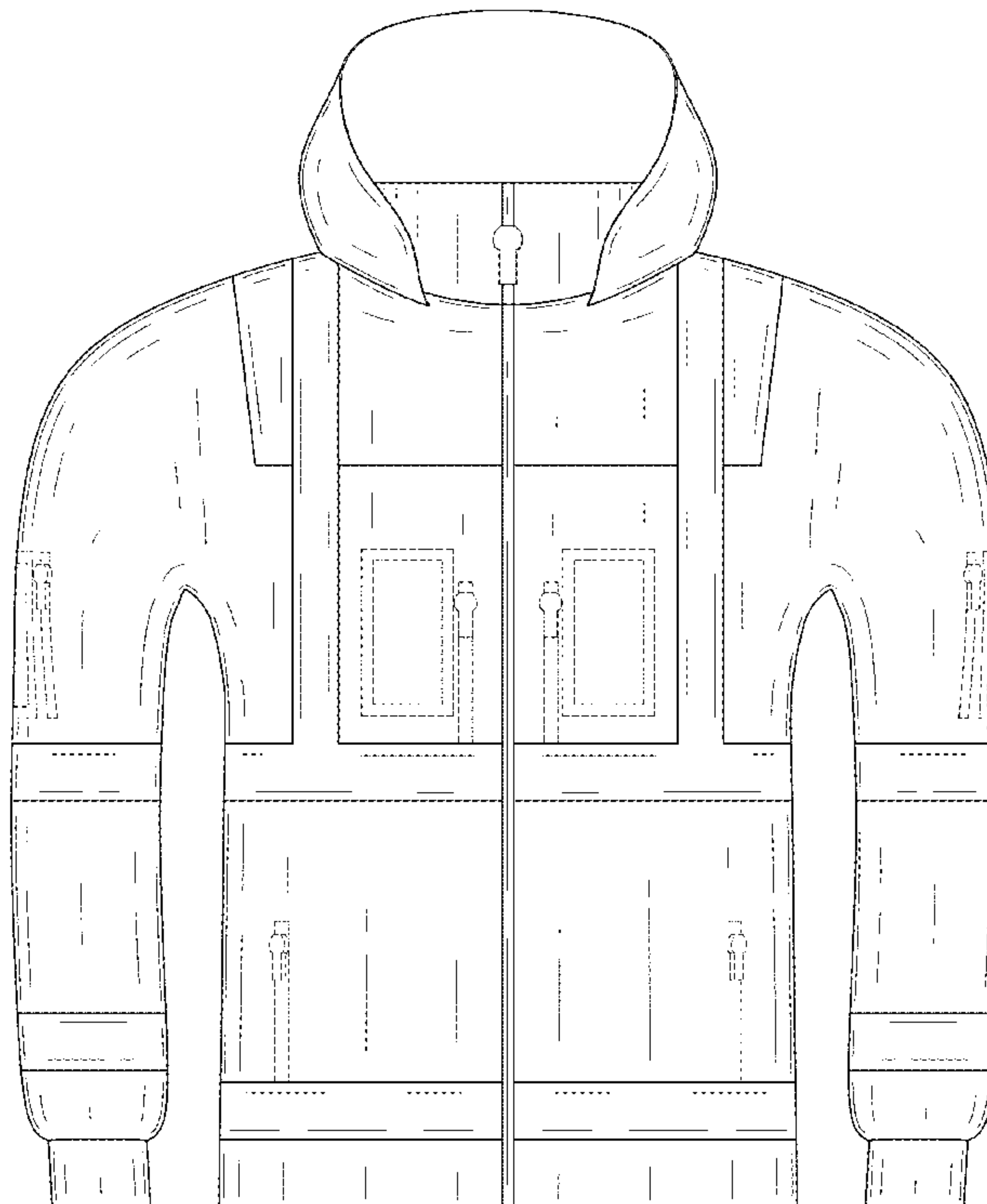
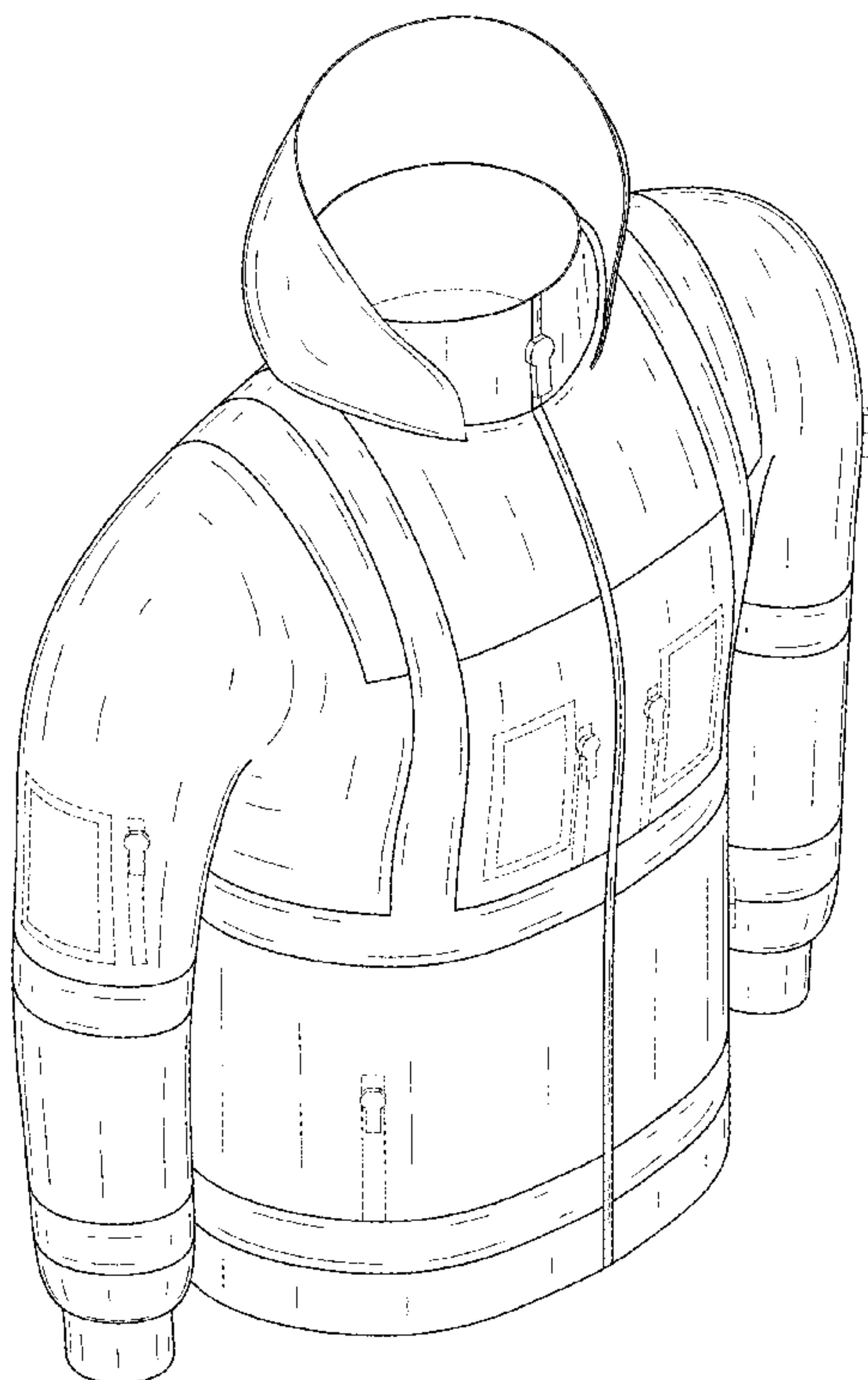
FIG. 6 is a right side view thereof;

FIG. 7 is a front view thereof; and,

FIG. 8 is a rear view thereof.

The broken lines shown in the drawings illustrate portions of the jacket that form no part of the claimed invention.

**1 Claim, 6 Drawing Sheets**



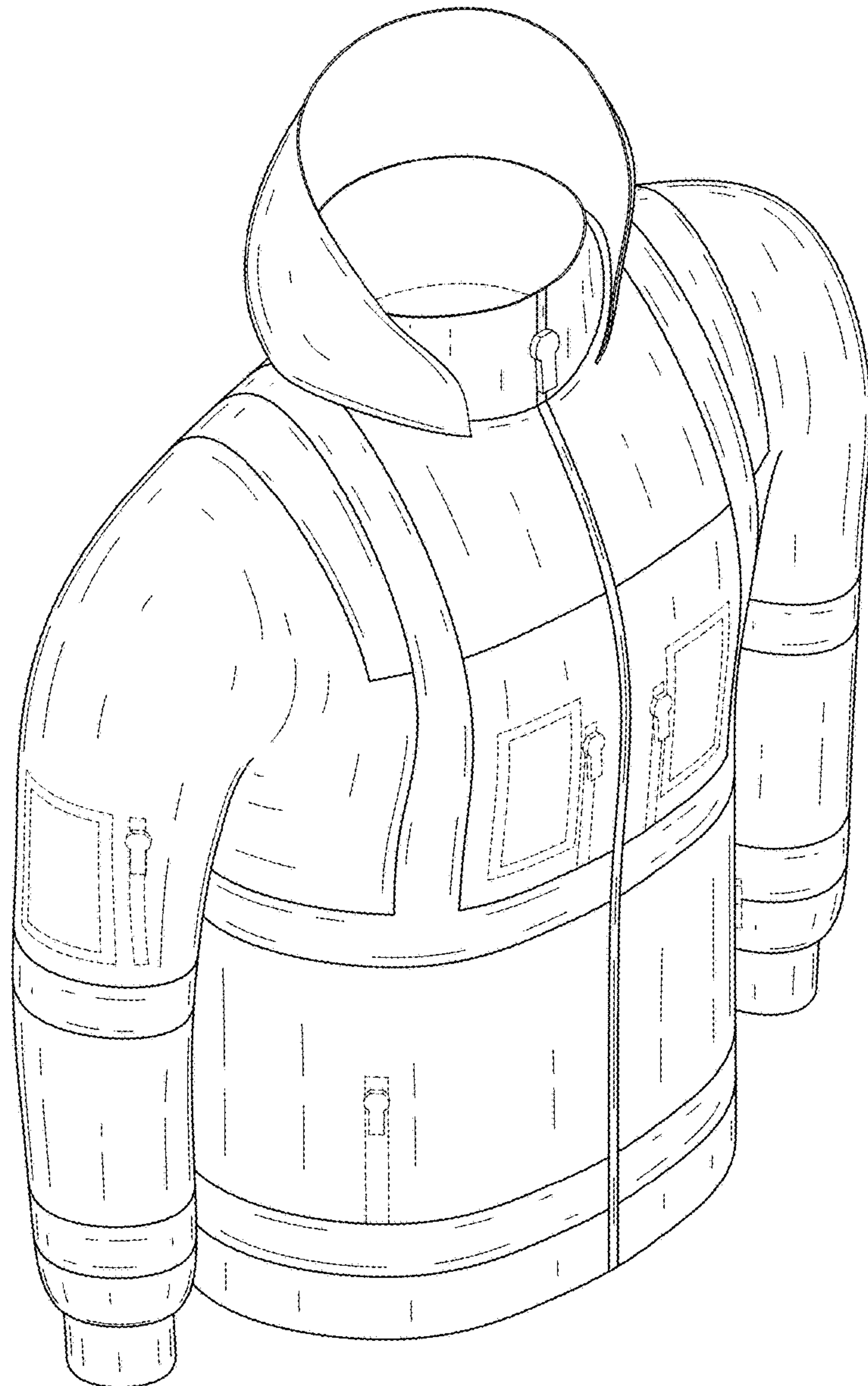


FIG. 1

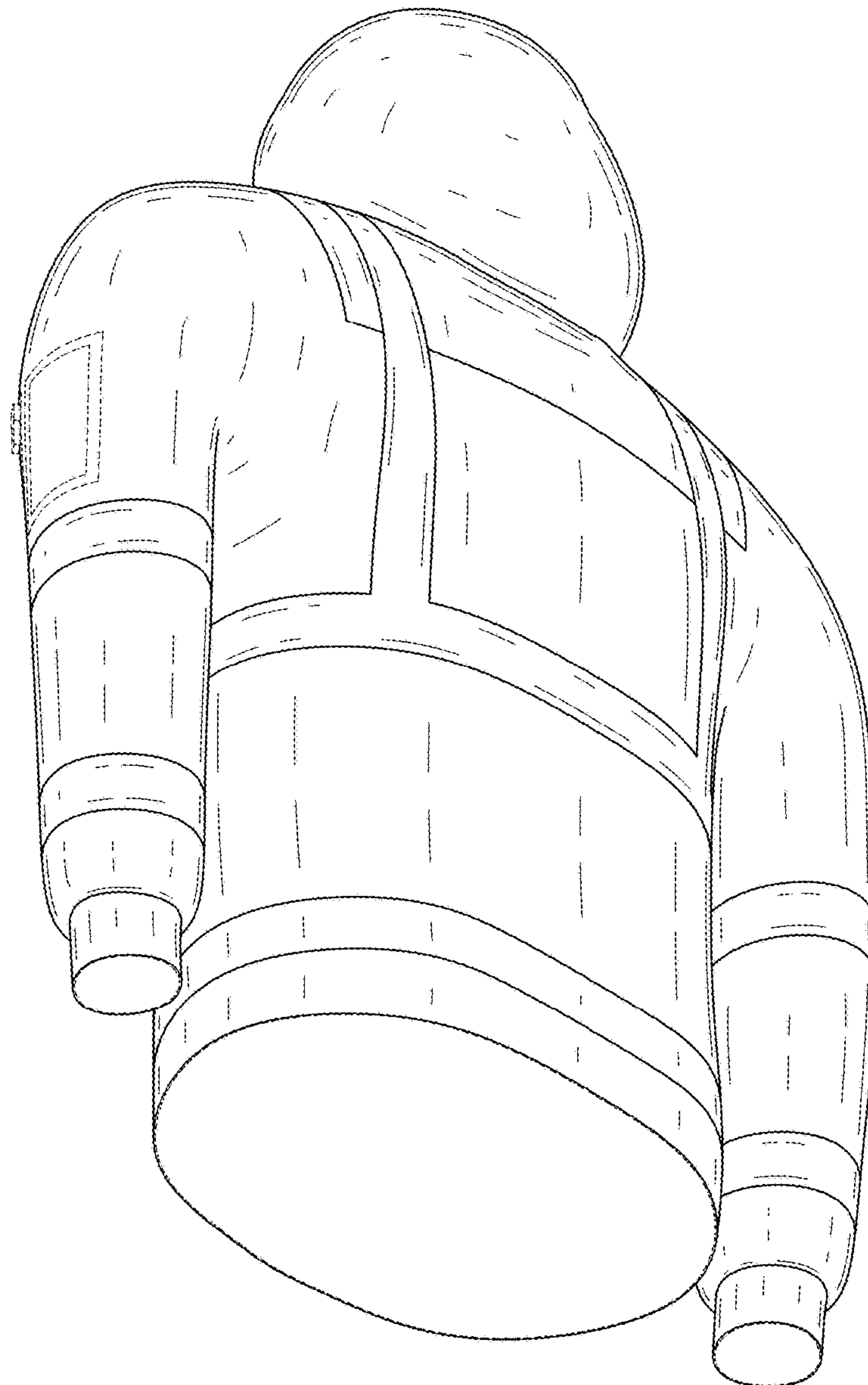


FIG. 2

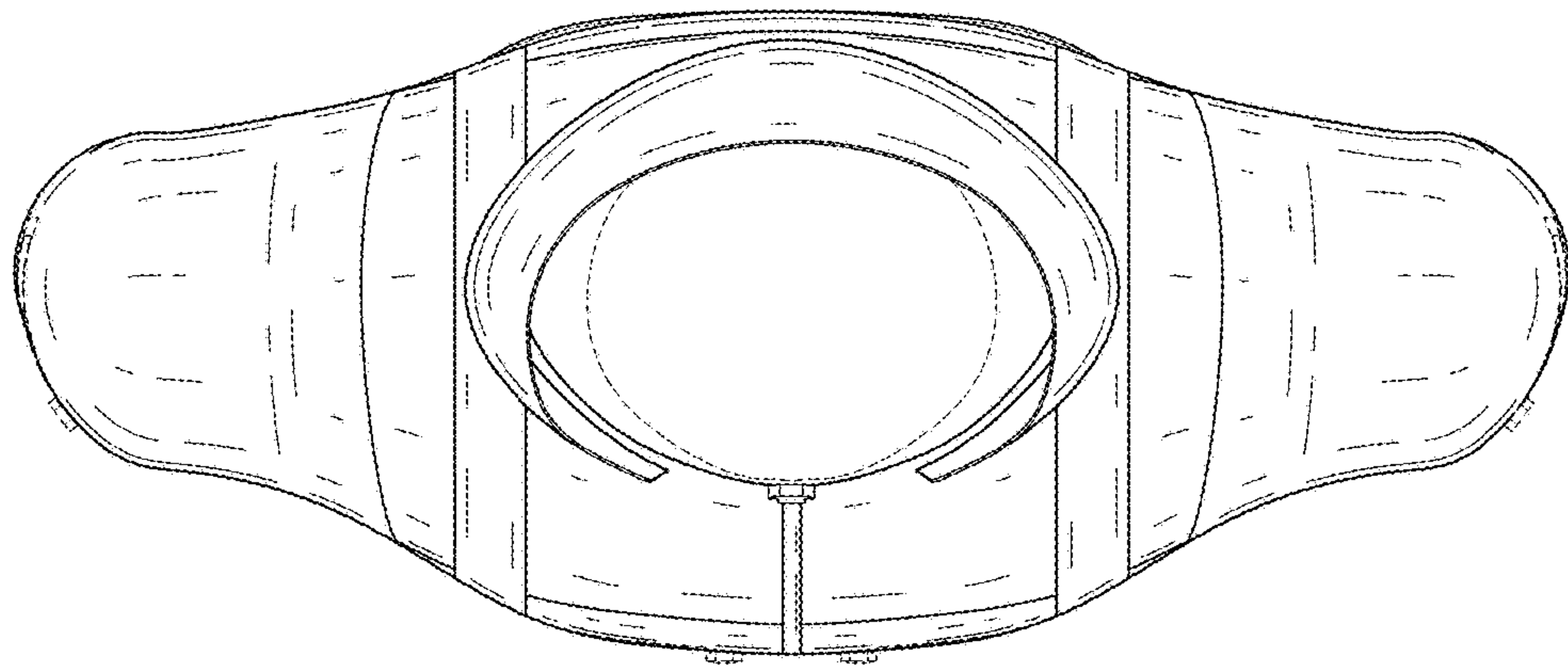


FIG. 3

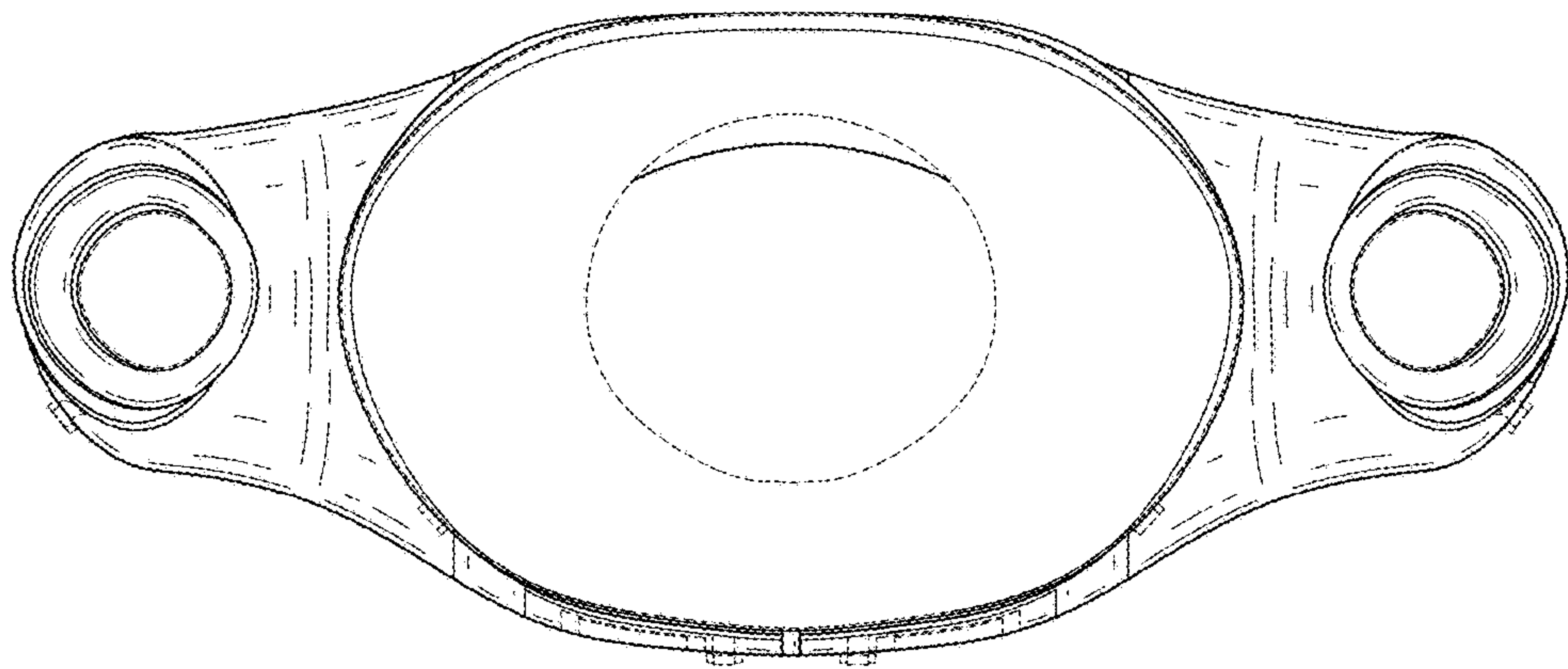


FIG. 4



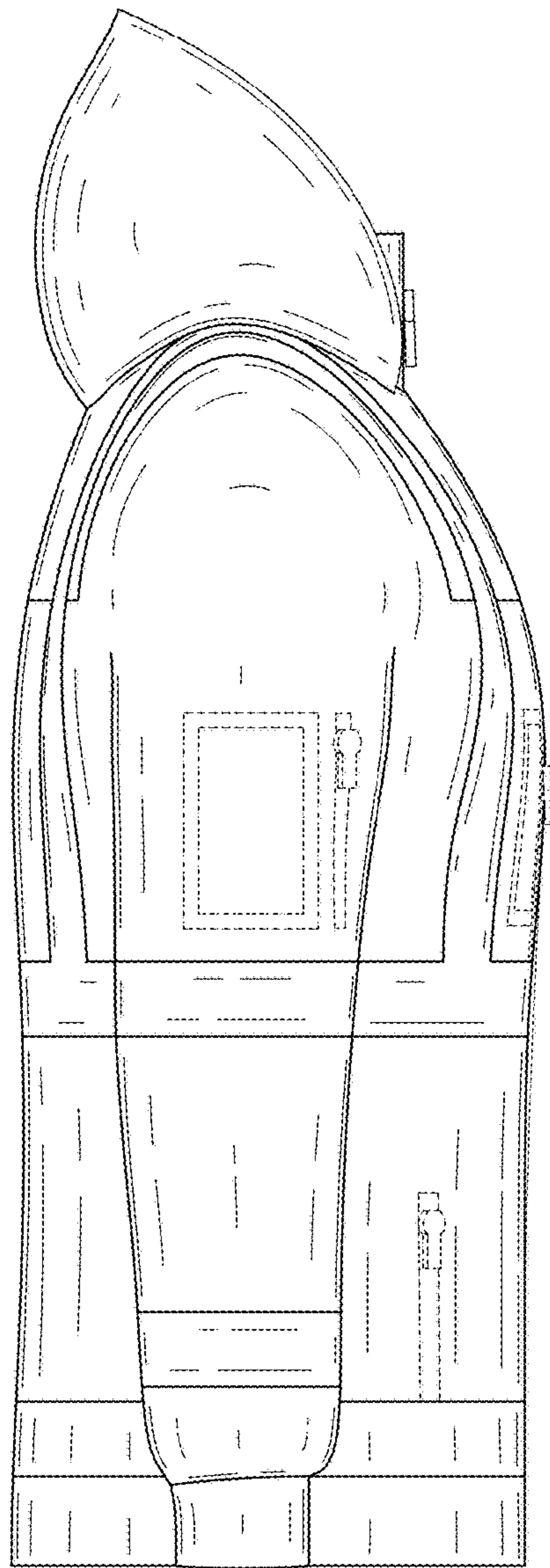


FIG. 5

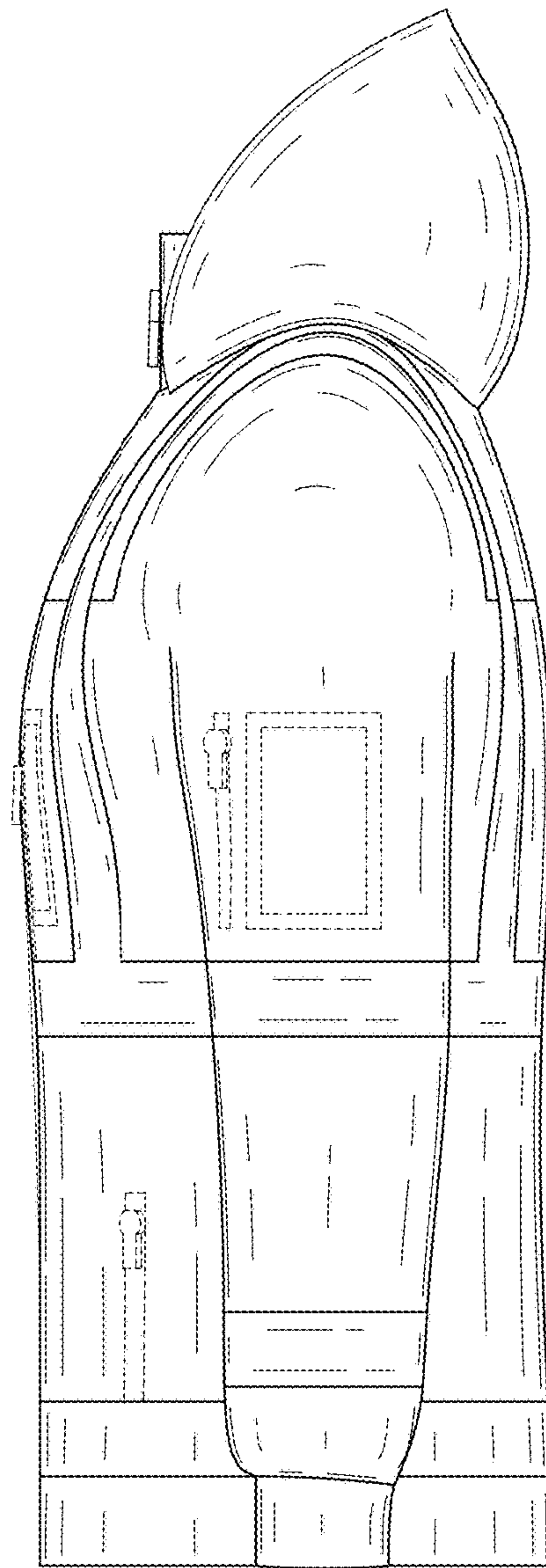


FIG. 6

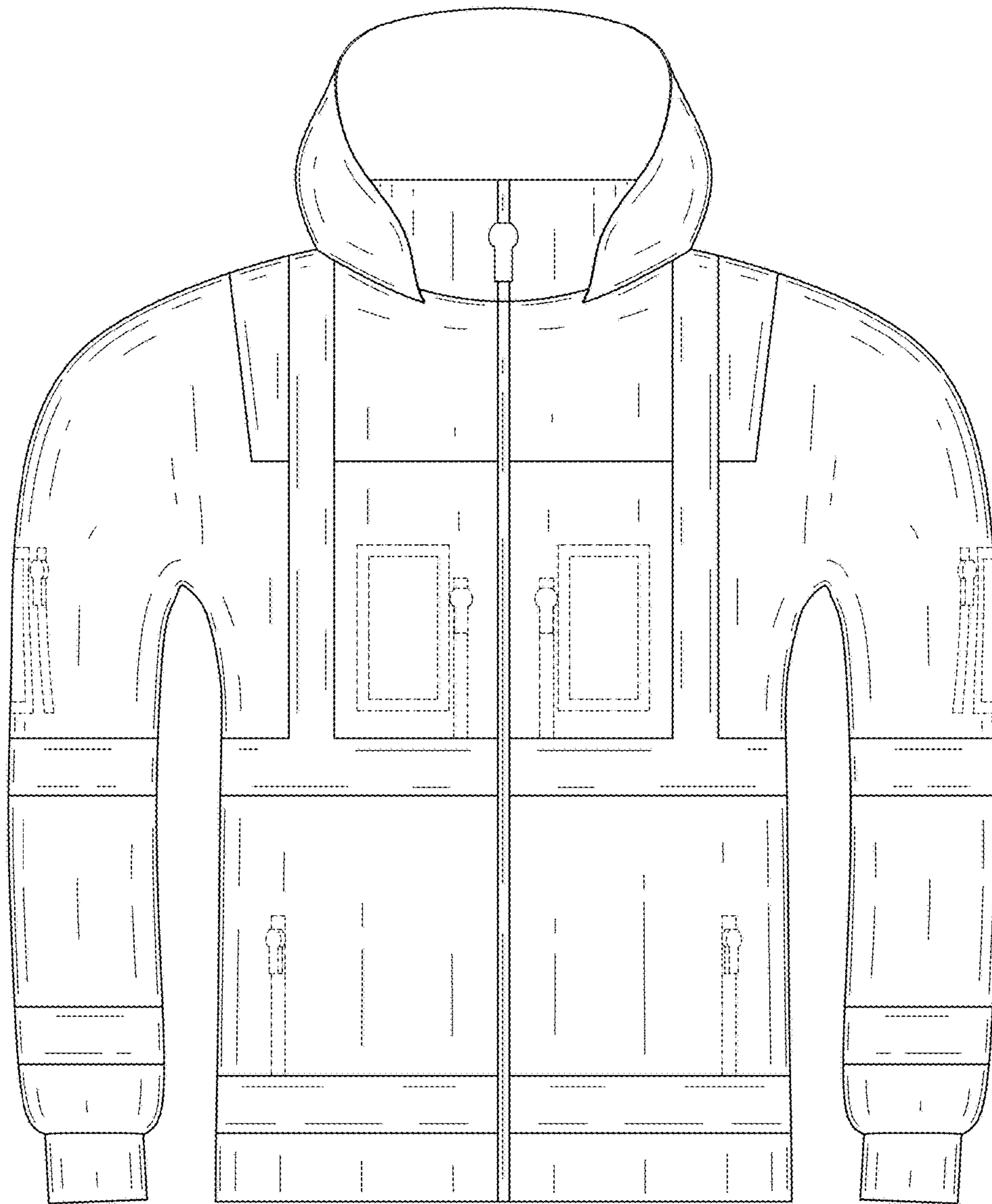


FIG. 7

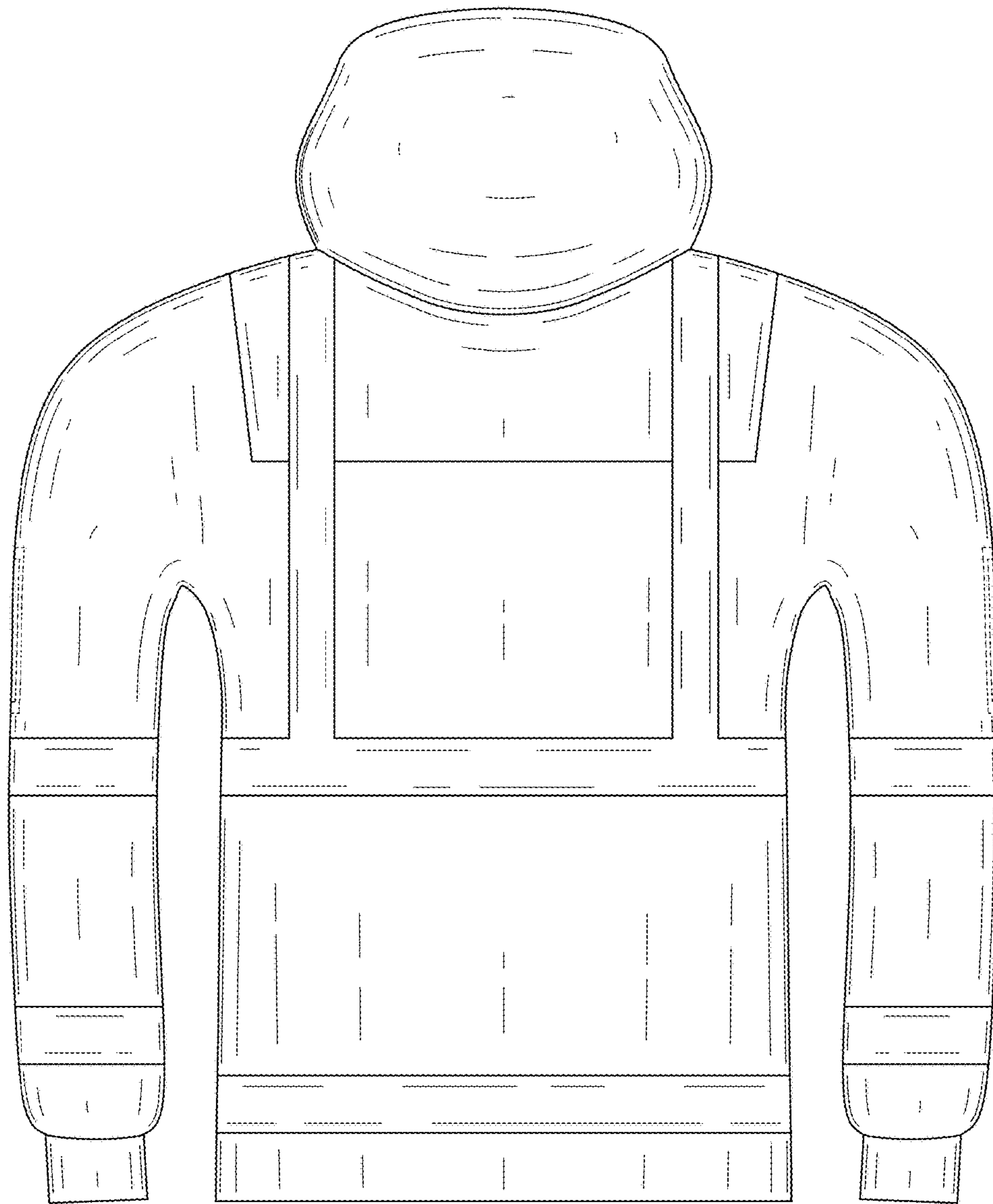


FIG. 8