



US00D859788S

(12) **United States Design Patent**
Speciale et al.

(10) **Patent No.:** **US D859,788 S**

(45) **Date of Patent:** **** Sep. 17, 2019**

(54) **ENLARGED OVER-GARMENT WITH AN ELEVATED MARSUPIAL POCKET**

(71) Applicant: **Cozy Comfort Copmany LLC**, Cave Creek, AZ (US)

(72) Inventors: **Brian Speciale**, Cave Creek, AZ (US);
Michael Speciale, Cave Creek, AZ (US)

(**) Term: **15 Years**

(21) Appl. No.: **29/617,421**

(22) Filed: **Sep. 13, 2017**

(51) **LOC (12) Cl.** **02-02**

(52) **U.S. Cl.**
USPC **D2/828**

(58) **Field of Classification Search**
USPC D2/828, 839, 731, 742, 750, 724, 728,
D2/840, 847, 999, 771, 782, 791, 829,
D2/831, 857, 706-708, 732, 751-753,
D2/830, 832-838, 848, 853; D5/53, 55,
D5/59, 61; D29/101.3; 2/77, 84-86, 93,
2/108, 115; D3/285
CPC A41C 3/0057; A41C 3/08; A41C 3/12;
A41D 1/18; A41D 13/0007; A41D
13/0015; A41D 13/0017; A41D 3/00;
A41D 3/02; A41D 3/04
See application file for complete search history.

(56) **References Cited**

U.S. PATENT DOCUMENTS

3,837,006 A 9/1974 Laseman
D728,900 S * 5/2015 White D2/750
(Continued)

Primary Examiner — Wan Laymon

Assistant Examiner — Mark Booker

(74) *Attorney, Agent, or Firm* — Thomas W. Galvani,
P.C.; Thomas W. Galvani

(57) **CLAIM**

The ornamental design for an enlarged over-garment with an elevated marsupial pocket, as shown and described.

DESCRIPTION

FIG. 1 is a front elevation view of an enlarged over-garment with an elevated marsupial pocket shown in accordance with our new design, as worn by a person shown in broken line in a standing position;

FIG. 2 is a top perspective view of the enlarged over-garment with an elevated marsupial pocket shown in FIG. 1;

FIG. 3 is a bottom perspective view of the enlarged over-garment with an elevated marsupial pocket shown in FIG. 1;

FIG. 4 is a front elevation view of the enlarged over-garment with an elevated marsupial pocket shown in FIG. 1;

FIG. 5 is a rear elevation view of the enlarged over-garment with an elevated marsupial pocket shown in FIG. 1;

FIG. 6 is a left side elevation view of the enlarged over-garment with an elevated marsupial pocket shown in FIG. 1;

FIG. 7 is a right side elevation view of the enlarged over-garment with an elevated marsupial pocket shown in FIG. 1;

FIG. 8 is a top plan view of the enlarged over-garment with an elevated marsupial pocket shown in FIG. 1;

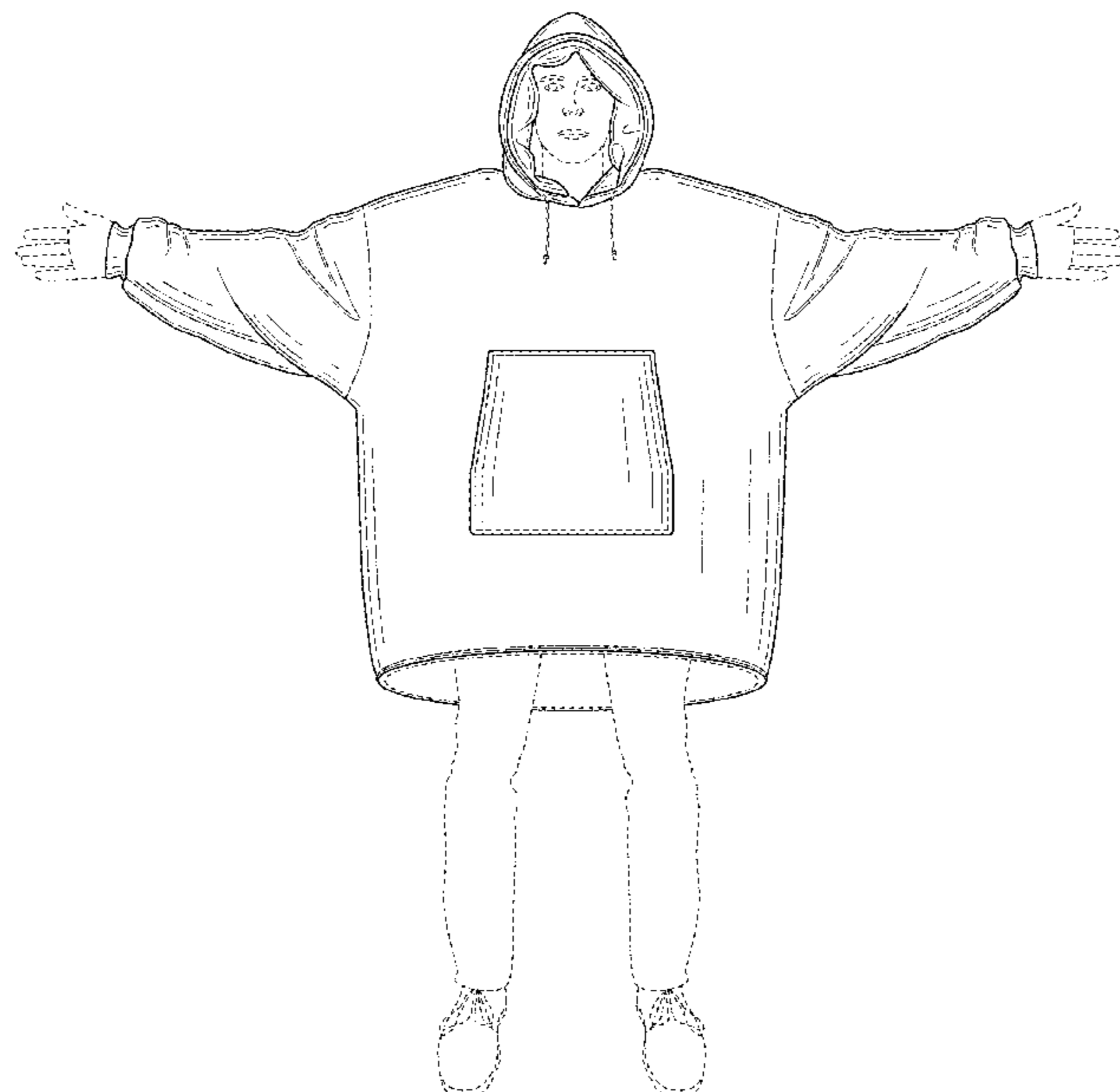
FIG. 9 is a bottom plan view of the enlarged over-garment with an elevated marsupial pocket shown in FIG. 1; and,

FIG. 10 is a front perspective view of the enlarged over-garment with an elevated marsupial pocket shown in FIG. 1 as worn by a person, partially hidden, shown in broken line in a sitting fetal position.

The features shown in broken lines are for the purposes of showing environmental structure and form no part of the claimed design.

The features shown in broken lines are for the purposes of showing environmental structure and form no part of the claimed design.

1 Claim, 8 Drawing Sheets



(56)

References Cited

U.S. PATENT DOCUMENTS

D770,136	S	*	11/2016	Darmour	D2/828
D784,659	S	*	4/2017	Darmour	D2/840
D785,906	S	*	5/2017	Darmour	D2/731
D787,160	S	*	5/2017	Crowe	D2/750
D790,809	S	*	7/2017	Lomax	D2/828
D810,401	S	*	2/2018	Darmour	D2/828
D810,402	S	*	2/2018	Darmour	D2/828
D811,051	S	*	2/2018	Darmour	D2/828
D820,560	S	*	6/2018	Reynolds	D2/829
D827,249	S	*	9/2018	Darmour	D2/728
2012/0005802	A1	*	1/2012	Claeys	A41D 27/20 2/84
2014/0317824	A1		10/2014	Browning et al.		

* cited by examiner

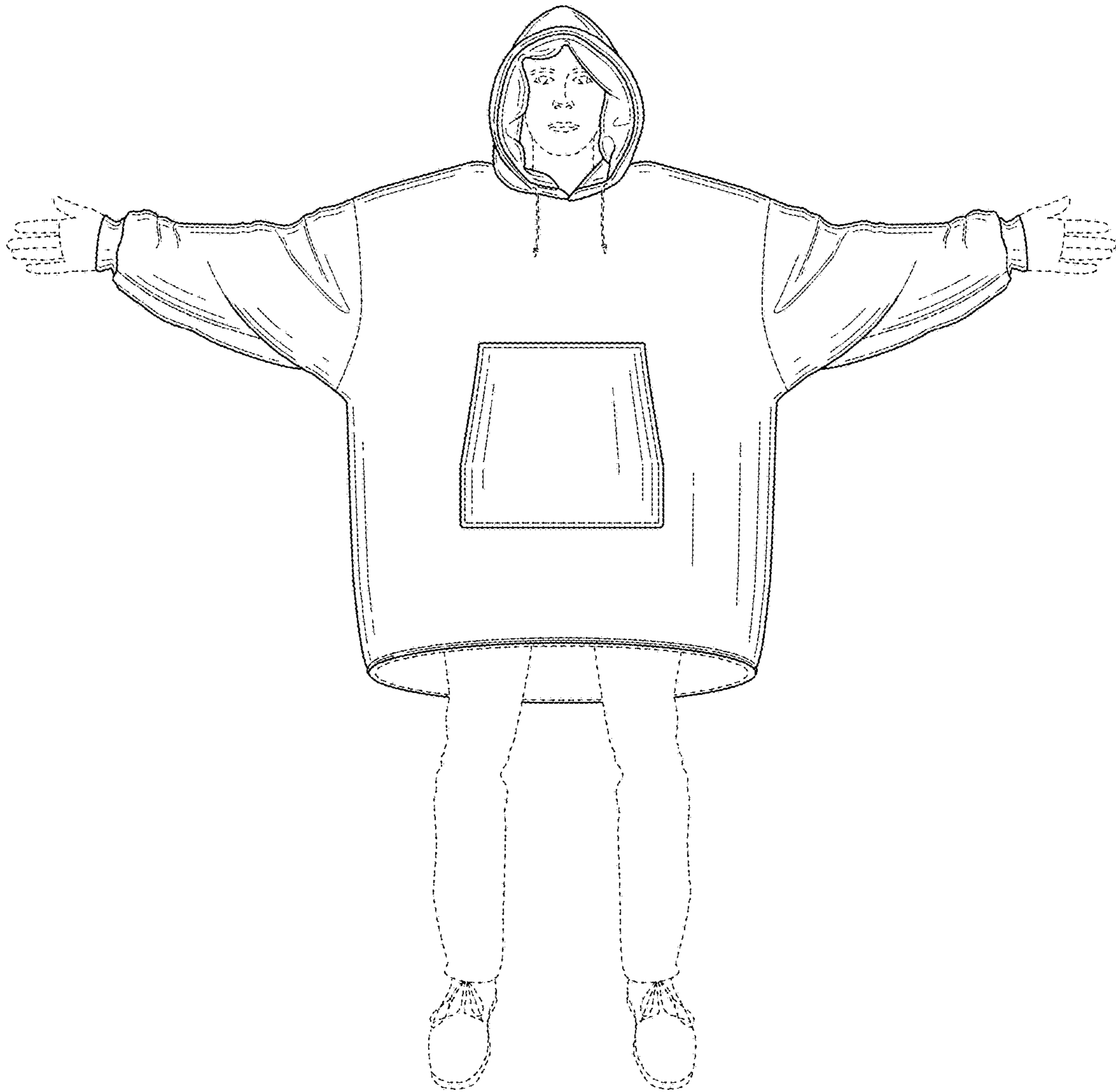


FIG. 1

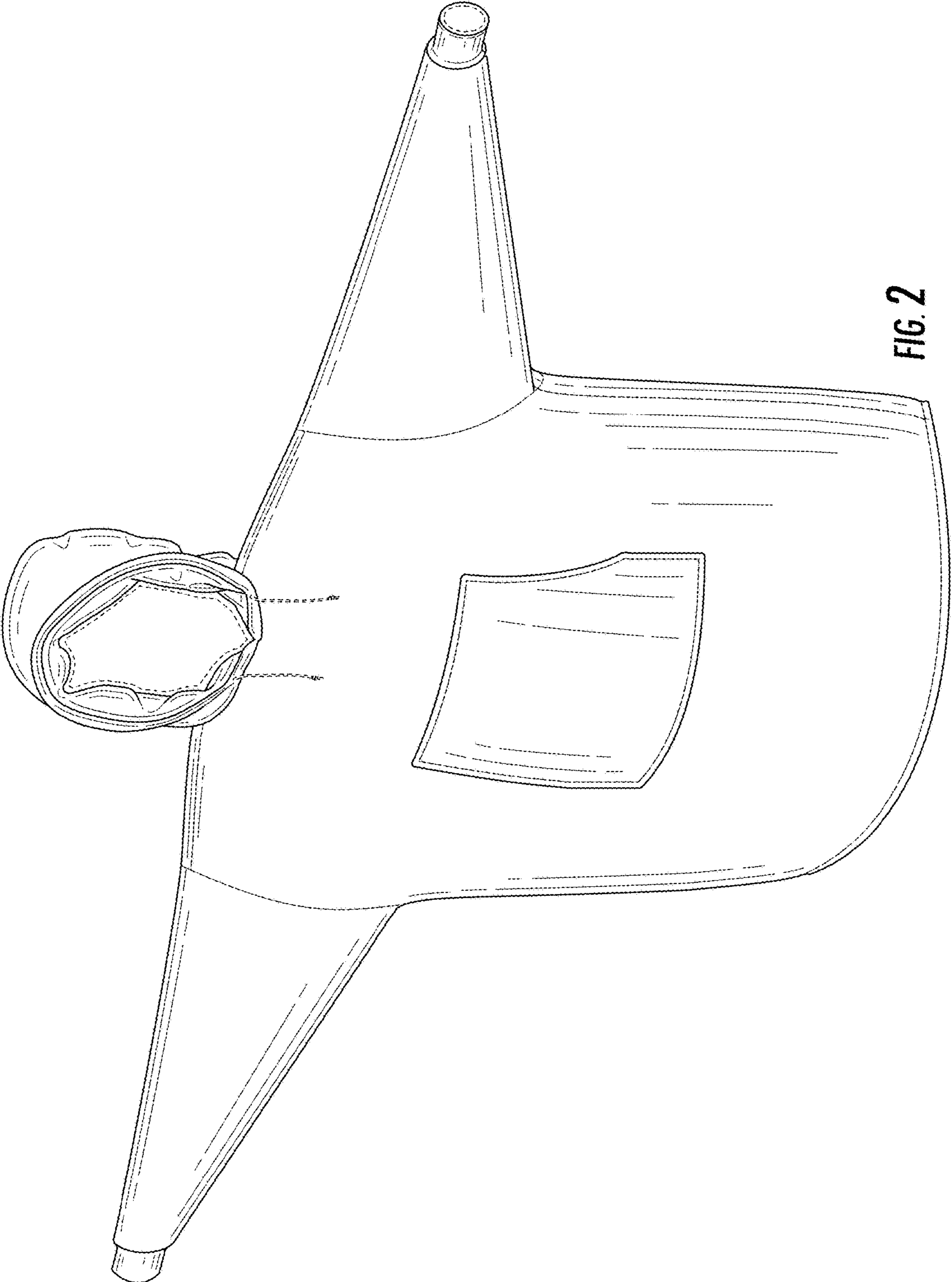


FIG. 2

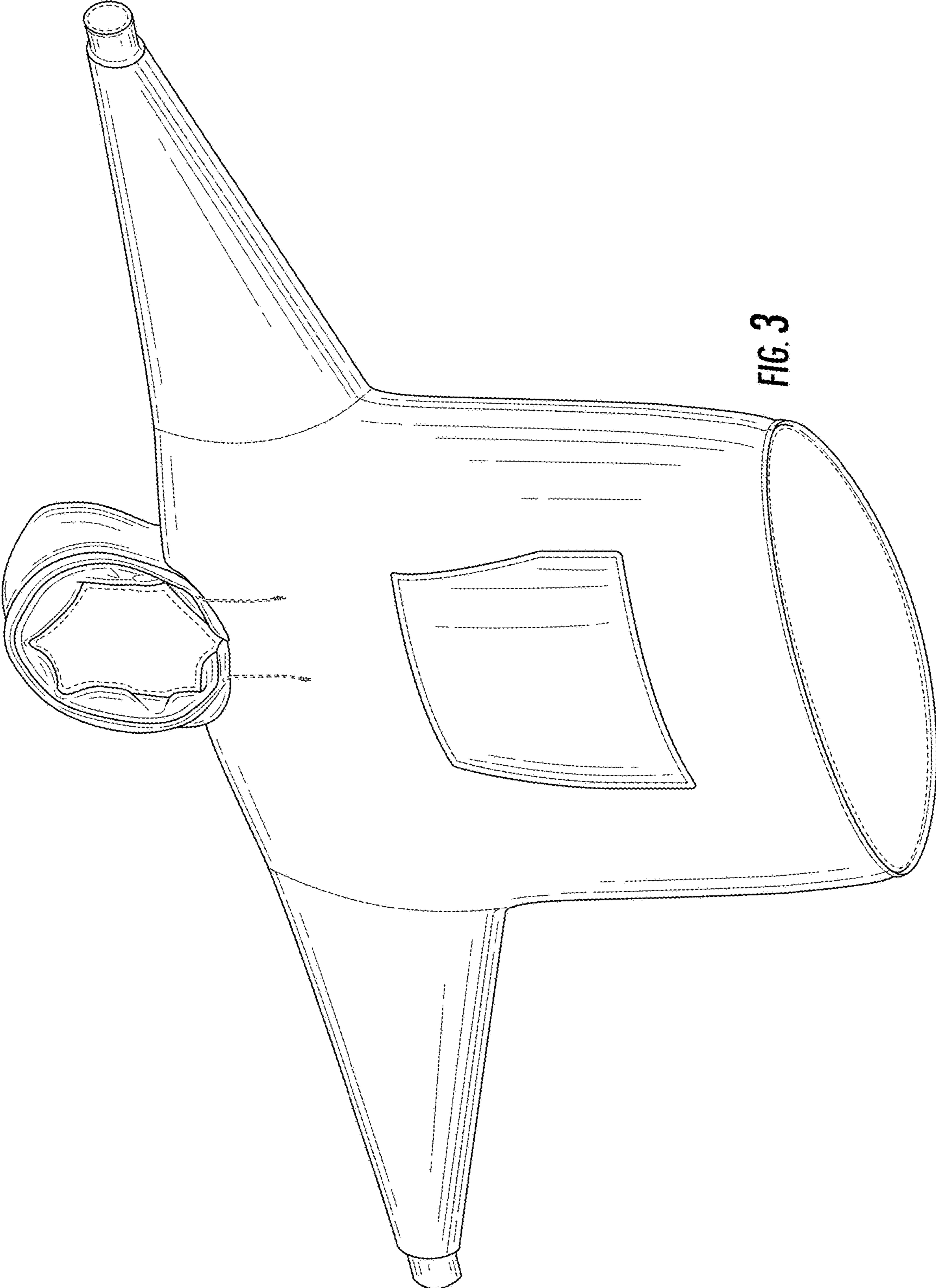


FIG. 3

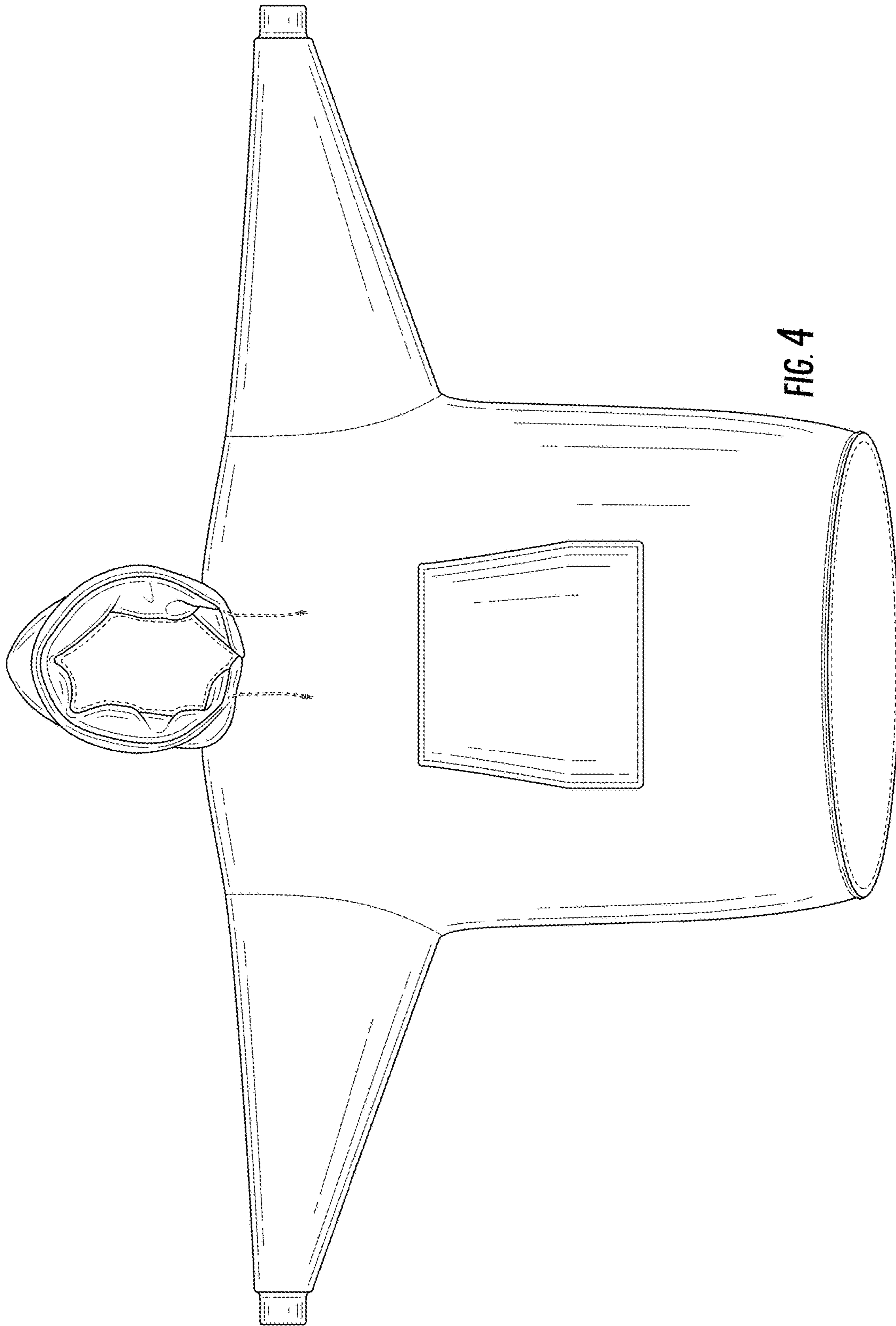


FIG. 4

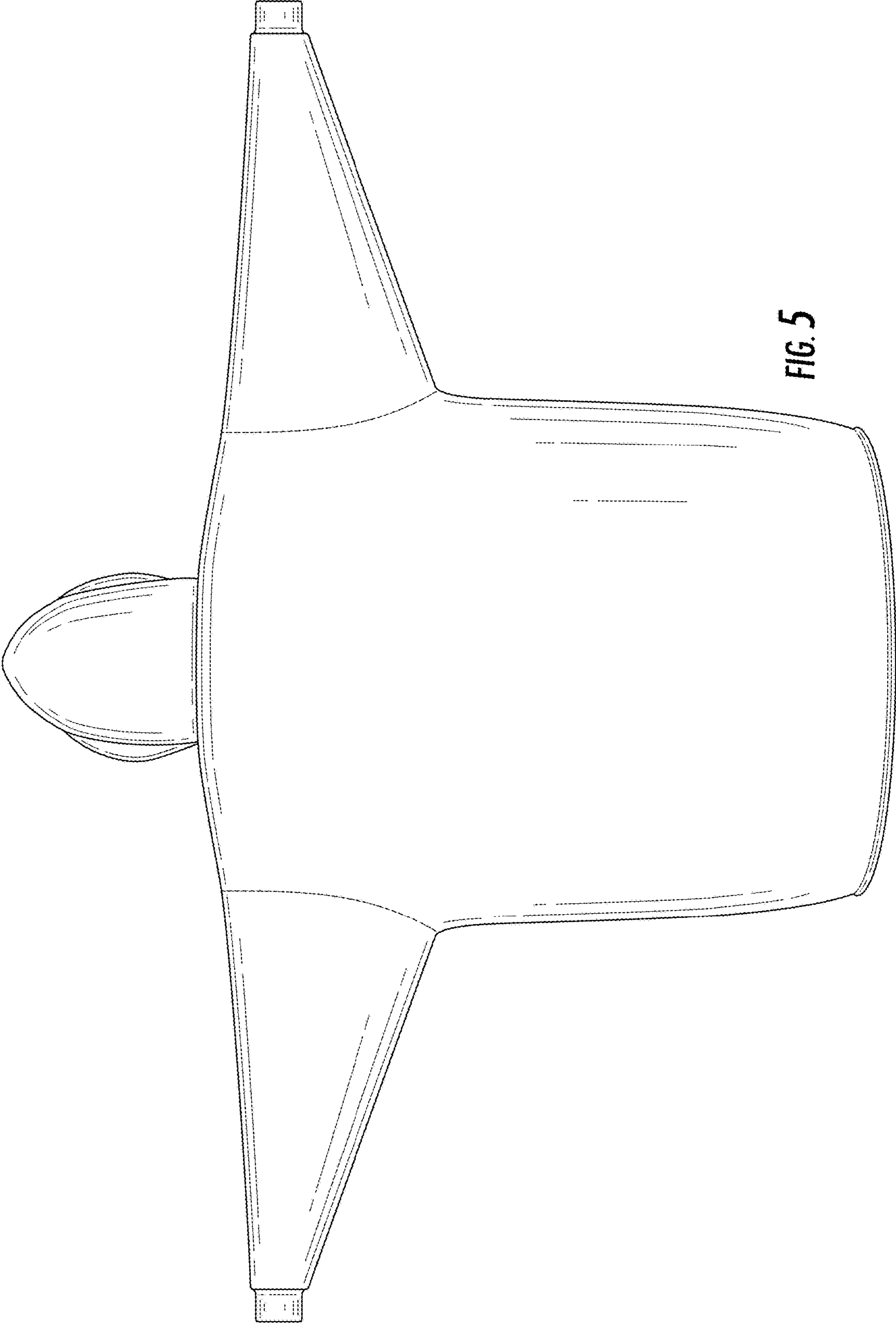


FIG. 5

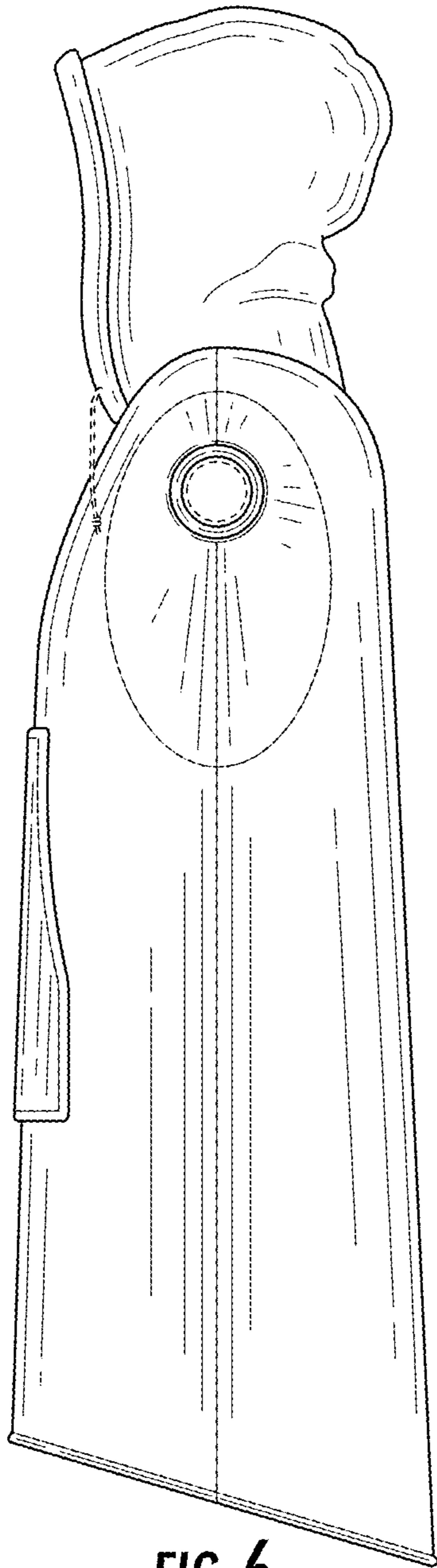


FIG. 6

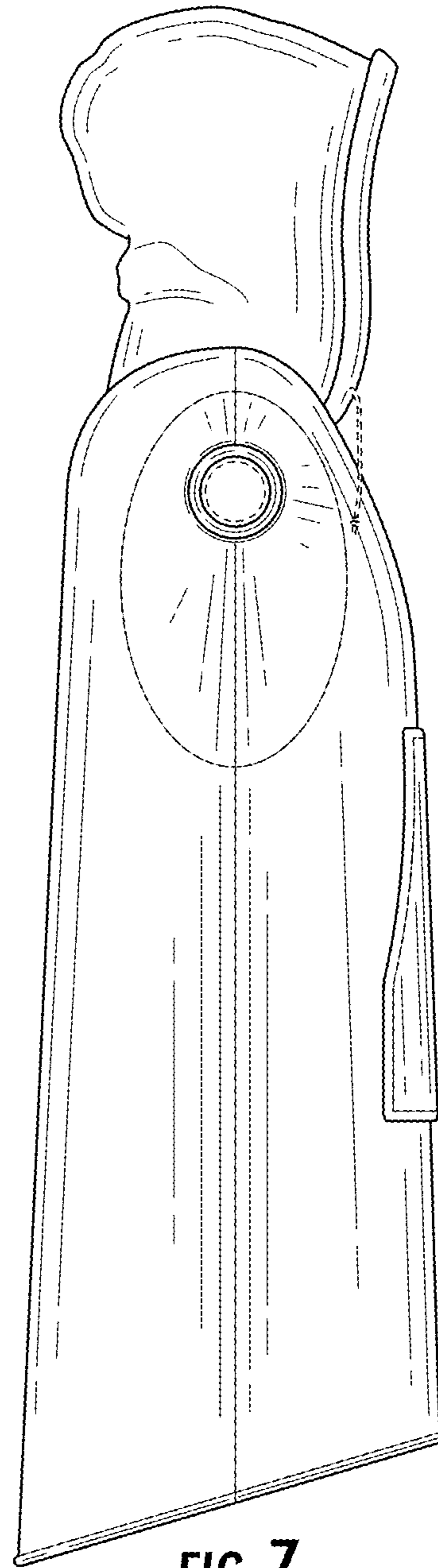


FIG. 7

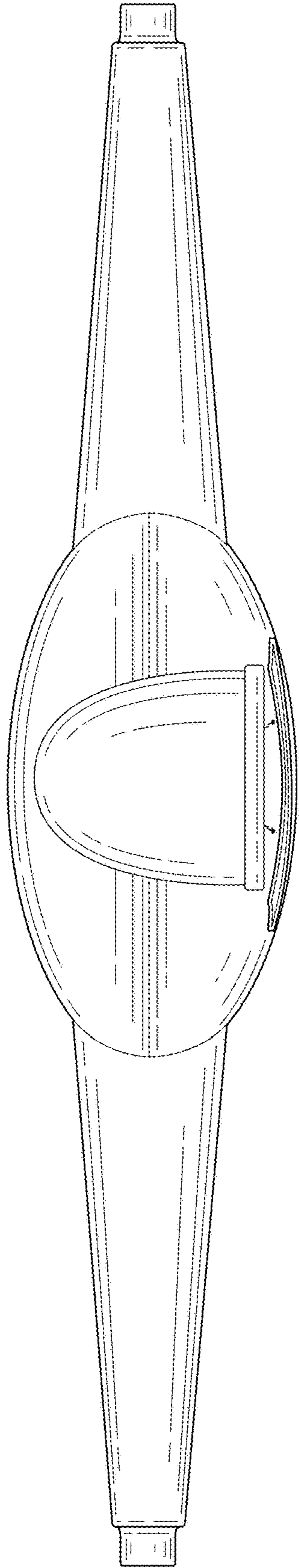


FIG. 8

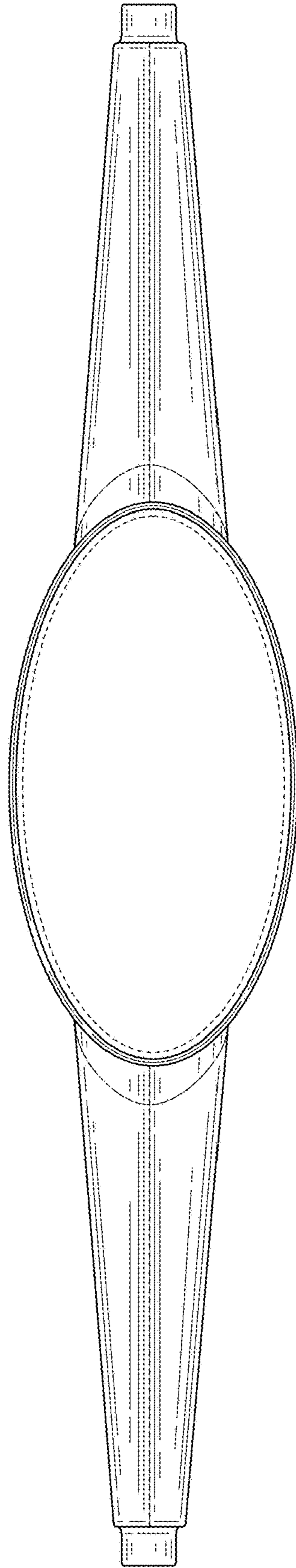


FIG. 9



FIG. 10