



US00D859784S

(12) **United States Design Patent** (10) **Patent No.:** **US D859,784 S**  
**Cavalcanti et al.** (45) **Date of Patent:** **\*\* Sep. 17, 2019**

- (54) **PET TREAT**
- (71) Applicant: **BIG HEART PET, INC.**, Orrville, OH (US)
- (72) Inventors: **Walker Cavalcanti**, Hudson, OH (US);  
**Yu-Hui Lee**, Long Beach, CA (US);  
**Raul Subia**, Fullerton, CA (US)
- (73) Assignee: **BIG HEART PET, INC.**, Orrville, OH (US)

- D478,705 S 8/2003 Dahl et al.
- D492,467 S 7/2004 Pittard et al.
- D492,836 S 7/2004 Lawrenson
- D507,691 S 7/2005 Leiweke et al.
- D509,042 S 9/2005 Buckley et al.
- D509,045 S 9/2005 Buckley et al.
- D511,236 S 11/2005 Crum et al.
- D512,810 S 12/2005 Englisch
- D514,264 S 1/2006 Viola
- D514,275 S 2/2006 Cumpton et al.
- D515,275 S 2/2006 Leiweke et al.
- D517,774 S 3/2006 Jia et al.

(Continued)

(\*\*) Term: **15 Years**

**FOREIGN PATENT DOCUMENTS**

(21) Appl. No.: **29/612,049**

- AU 326738 7/2009
- BX 35235-001 10/2003

(22) Filed: **Jul. 27, 2017**

(Continued)

(51) **LOC (12) Cl.** ..... **01-01**

(52) **U.S. Cl.**  
USPC ..... **D1/125**

(58) **Field of Classification Search**

USPC ..... D1/100-130, 199; 426/5, 76, 87, 92, 94,  
426/95, 99, 101, 103, 104, 108, 134,  
426/138-139, 143, 144, 279, 282, 283,  
426/391, 514, 549, 559, 560, 660, 808;  
D9/439, 669; D24/130; D6/597, 598,  
D6/601; D21/488-490, 493, 680;  
D23/366, 386, 415; 239/44; D8/83  
CPC . A23G 3/50; A23G 3/54; A23G 9/282; A23G  
3/28; A23J 3/26; A23L 1/0067

See application file for complete search history.

(56) **References Cited**

**U.S. PATENT DOCUMENTS**

- 729,248 A \* 5/1903 Yeager ..... A23G 9/282  
426/249
- D134,414 S \* 11/1942 Orme ..... D1/120
- 2,937,095 A \* 5/1960 Zitin ..... A22C 11/00  
426/105
- D231,052 S \* 4/1974 Abernethy ..... D1/104
- D410,315 S 6/1999 Woodward

**OTHER PUBLICATIONS**

Office Action dated Oct. 1, 2018, in corresponding Canadian Patent Application No. 179411.

(Continued)

*Primary Examiner* — Katie Jane Stofko

(74) *Attorney, Agent, or Firm* — Michael A. Olshavsky

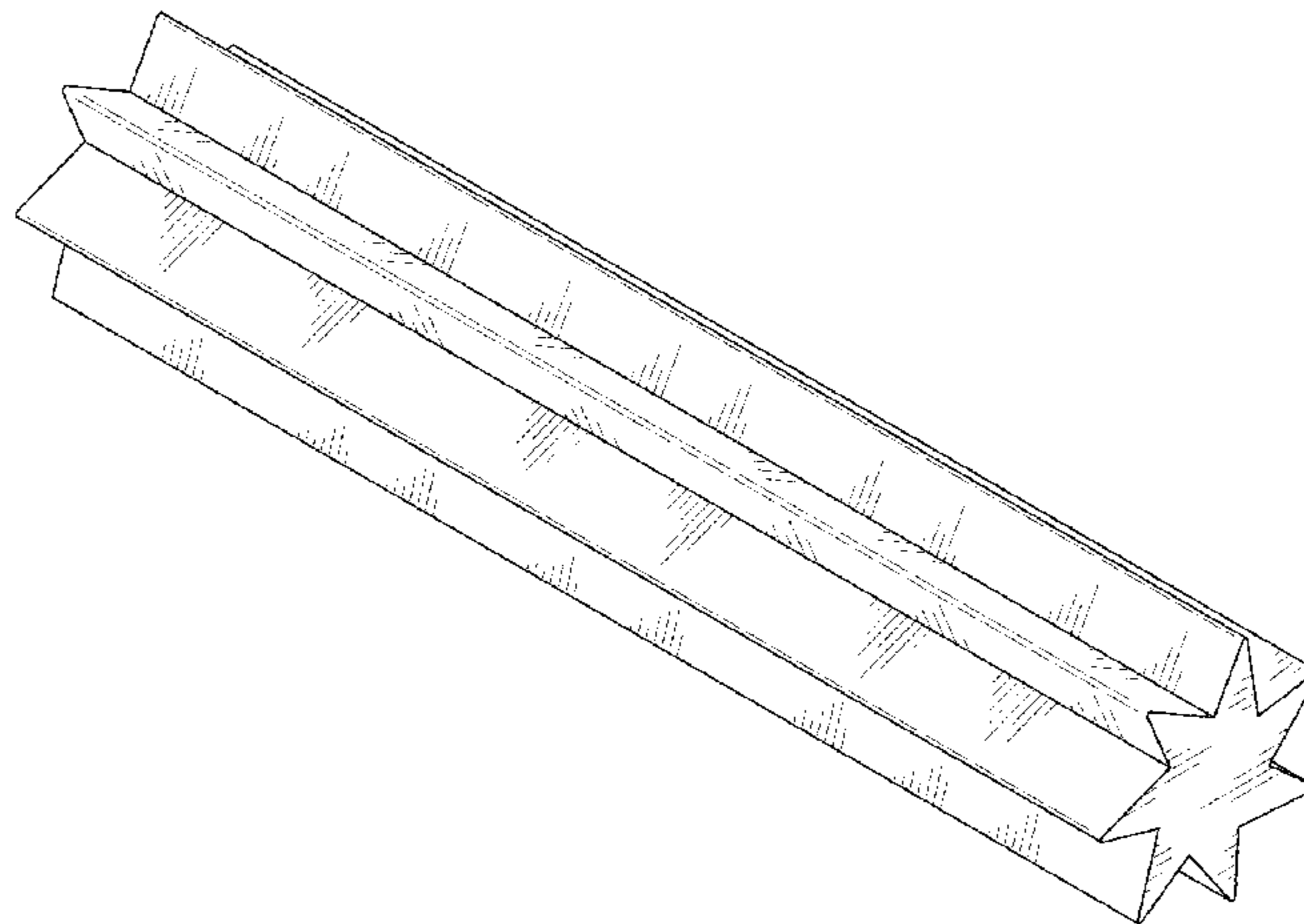
(57) **CLAIM**

The ornamental design of a pet treat, as shown and described.

**DESCRIPTION**

- FIG. 1 is a perspective view of a pet treat.
- FIG. 2 is a top plan view thereof.
- FIG. 3 is a bottom plan view thereof.
- FIG. 4 is a front elevation view thereof.
- FIG. 5 is a rear elevation view thereof.
- FIG. 6 is a side view thereof; and,
- FIG. 7 is the opposite side view thereof.

**1 Claim, 4 Drawing Sheets**



(56)

References Cited

U.S. PATENT DOCUMENTS

7,032,541 B1	4/2006	Tsengas	EM	000196167-0002	7/2004
D532,583 S	11/2006	Townsend et al.	EM	000196167-0003	7/2004
D534,706 S	1/2007	Cuadrado	EM	000279468-0001	1/2005
D538,507 S	3/2007	Tansey et al.	EM	000304563-0001	1/2005
D546,026 S	7/2007	Ellsworth	EM	000299268-0001	2/2005
D585,177 S	1/2009	Wylie	EM	000308051-0001	2/2005
D586,077 S	2/2009	Shulman	EM	000309604-0001	3/2005
D586,534 S	2/2009	Oelsner et al.	EM	000309604-0002	3/2005
D591,479 S	5/2009	Schalk et al.	EM	000309604-0003	3/2005
D591,926 S	5/2009	Jia et al.	EM	000309604-0004	3/2005
D593,277 S	6/2009	Wylie	EM	000309604-0005	3/2005
D603,134 S	11/2009	Powell	EM	000309604-0006	3/2005
D603,135 S	11/2009	Unlu et al.	EM	000309604-0007	3/2005
D603,136 S	11/2009	Unlu et al.	EM	000309604-0008	3/2005
D614,830 S	5/2010	Unlu et al.	EM	000309604-0009	3/2005
D614,831 S	5/2010	Bardiani et al.	EM	000309604-0010	3/2005
D618,428 S	6/2010	Unlu et al.	EM	000309604-0011	3/2005
D630,409 S	1/2011	Tansey et al.	EM	000309604-0012	3/2005
D636,971 S	5/2011	Diermeier et al.	EM	000309604-0013	3/2005
D658,847 S	5/2012	Wylie	EM	000309604-0014	3/2005
D658,848 S	5/2012	Wylie	EM	000309604-0015	3/2005
D661,866 S	6/2012	Asakura	EM	000309604-0016	3/2005
D661,868 S	6/2012	Takeda et al.	EM	000309604-0017	3/2005
D666,786 S	9/2012	Bostick	EM	000309604-0018	3/2005
D683,517 S	6/2013	Tansey et al.	EM	000348255-0001	3/2005
D683,927 S	6/2013	Tansey et al.	EM	000348255-0002	3/2005
D683,928 S	6/2013	Tansey et al.	EM	000348255-0003	3/2005
D684,337 S	6/2013	Tansey et al.	EM	000348255-0004	3/2005
D692,206 S	10/2013	Slusarczyk et al.	EM	000348255-0014	3/2005
D693,536 S	11/2013	Weber	EM	000348255-0016	3/2005
D704,917 S	5/2014	Albuja	EM	000348255-0017	3/2005
D705,516 S	5/2014	Slusarczyk et al.	EM	000359708-0003	6/2005
D714,016 S	9/2014	Slusarczyk et al.	EM	000373352-0001	7/2005
8,916,223 B2 *	12/2014	Burgess ..... A23G 3/0068 426/516	EM	000373352-0002	7/2005
D721,217 S	1/2015	Rogers et al.	EM	000725064-0001	5/2007
D721,218 S	1/2015	Rogers et al.	EM	000725064-0002	5/2007
D725,867 S	4/2015	Mathew et al.	EM	000804356-0001	10/2007
D725,868 S *	4/2015	Kimura ..... D1/126	EM	000905575-0001	3/2008
D726,991 S	4/2015	Albuja	EM	001113377-0001	3/2009
D728,193 S	5/2015	Mathew et al.	EM	001113377-0002	3/2009
D730,617 S	6/2015	Slusarczyk et al.	EM	001113377-0003	3/2009
D747,068 S	1/2016	Walsh	EM	001113377-0004	3/2009
D766,541 S *	9/2016	Melkonyan ..... D1/115	EM	001166656-0001	9/2009
D775,450 S	1/2017	Kimura et al.	EM	001635624-0002	11/2009
D781,025 S *	3/2017	Pope ..... D1/125	EM	001193163-0001	2/2010
D789,650 S *	6/2017	Hansen ..... D1/125	EM	001193163-0002	2/2010
D804,741 S *	12/2017	Park ..... D30/160	EM	001193163-0003	2/2010
D822,321 S *	7/2018	McGrath ..... D1/125	EM	001669037-0001	2/2010
2008/0003270 A1 *	1/2008	Garcia Martinez .... A23K 40/20 424/442	EM	001669037-0002	2/2010
2008/0020101 A1 *	1/2008	Madsen ..... A23G 3/48 426/104	EM	001669037-0003	2/2010
2016/0353772 A1	12/2016	Stern	EM	001669037-0004	2/2010

FOREIGN PATENT DOCUMENTS

CA	110186	4/2006	EM	002035733-0005	5/2012
CA	127933	6/2009	EM	002035733-0006	5/2012
CA	122758	7/2009	EM	002035733-0007	5/2012
CA	129165	7/2009	EM	002035733-0008	5/2012
CA	131332	3/2010	EM	002035733-0009	5/2012
CA	131333	3/2010	EM	002035733-0010	5/2012
CA	133332	5/2011	EM	002035733-0011	5/2012
CA	149085	10/2014	EM	002035733-0012	5/2012
CA	163754	3/2016	EM	002035733-0013	5/2012
CN	3053664	1/1997	EM	002035733-0014	5/2012
CN	301467108	2/2011	EM	002035733-0015	5/2012
CN	302442547	5/2013	EM	002035733-0016	5/2012
CN	302442558	5/2013	EM	002035733-0017	5/2012
CN	302528923	8/2013	EM	002035733-0018	5/2012
CN	303312264	8/2015	EM	002035733-0019	5/2012
CN	303705328	6/2016	EM	002165027-0001	1/2013
CN	303731837	7/2016	EM	002165027-0002	1/2013

(56)

References Cited

FOREIGN PATENT DOCUMENTS

EM	002165027-0003	1/2013
EM	002183681-0001	2/2013
EM	002183681-0002	2/2013
EM	002183681-0003	2/2013
EM	002183681-0004	2/2013
EM	001408561-0013	4/2014
EM	001408561-0016	4/2014
EM	001408561-0028	4/2014
EM	001409460-0005	4/2014
EM	001409460-0006	4/2014
EM	002492108-0002	6/2014
EM	002513580-0001	8/2014
EM	002515726-0001	8/2014
EM	002912386-0001	12/2015
EM	002944785-0001	1/2016
EM	003077254-0002	4/2016
EM	003142603-0001	5/2016
EM	003515899-0010	12/2016
EP	1581044	10/2005
IN	222872	8/2010
IN	222871	1/2011
JP	D1411525	3/2011
JP	D1464625	2/2013
JP	D1471777	5/2013
KR	30-0382680-0000	5/2005
KR	30-0473862-0000	12/2007
KR	3004738630000	12/2007
KR	30-0530794-0000	6/2009
KR	30-0565741-0000	6/2010
KR	30-0565742-0000	6/2010
KR	30-0579849-0000	11/2010
KR	30-0598852-0000	9/2011
KR	30-0630251-0000	1/2012
KR	30-0668303-0000	11/2012
KR	30-0741911-0000	4/2014
KR	30-0836492-0000	1/2016
KR	30-0836494-0000	1/2016
KR	30-0836495-0000	1/2016
KR	30-0836496-0000	1/2016
KR	30-0836497-0000	1/2016
KR	30-0862986-0000	7/2016

KR	30-0875149-0000	9/2016
KR	30-0875150-0000	9/2016
KR	30-0880954-0000	11/2016
KR	30-0888779-0000	12/2016
NZ	406388	1/2005
NZ	412298	1/2009
NZ	412299	1/2009
NZ	412518	6/2009
NZ	413463	1/2010
NZ	413464	1/2010
NZ	414588	10/2010
NZ	415012	3/2011
NZ	416939	5/2012
NZ	416946	5/2012
NZ	417147	6/2012
NZ	417148	6/2012
NZ	417149	6/2012
NZ	417150	6/2012
NZ	417151	12/2012
NZ	417152	12/2012
NZ	418350	12/2013
NZ	420940	9/2015
TR	201608409-0003	1/2017
TR	201608409-0004	1/2017
TR	201608409-0006	1/2017
TR	201608409-0007	1/2017
TR	201608409-0010	1/2017
WO	D031613-001	12/1994
WO	D033750-011	8/1995
WO	D033750-012	8/1995
WO	DM/082257	11/2013
WO	D089495-002	12/2015
WO	D089496-005	12/2015
WO	D089496-006	12/2015

OTHER PUBLICATIONS

Office Action dated Jan. 31, 2019 in corresponding Canadian Patent Application No. 179411.  
Office Action dated Jan. 28, 2019 in corresponding Canadian Application. No. 185298.

\* cited by examiner

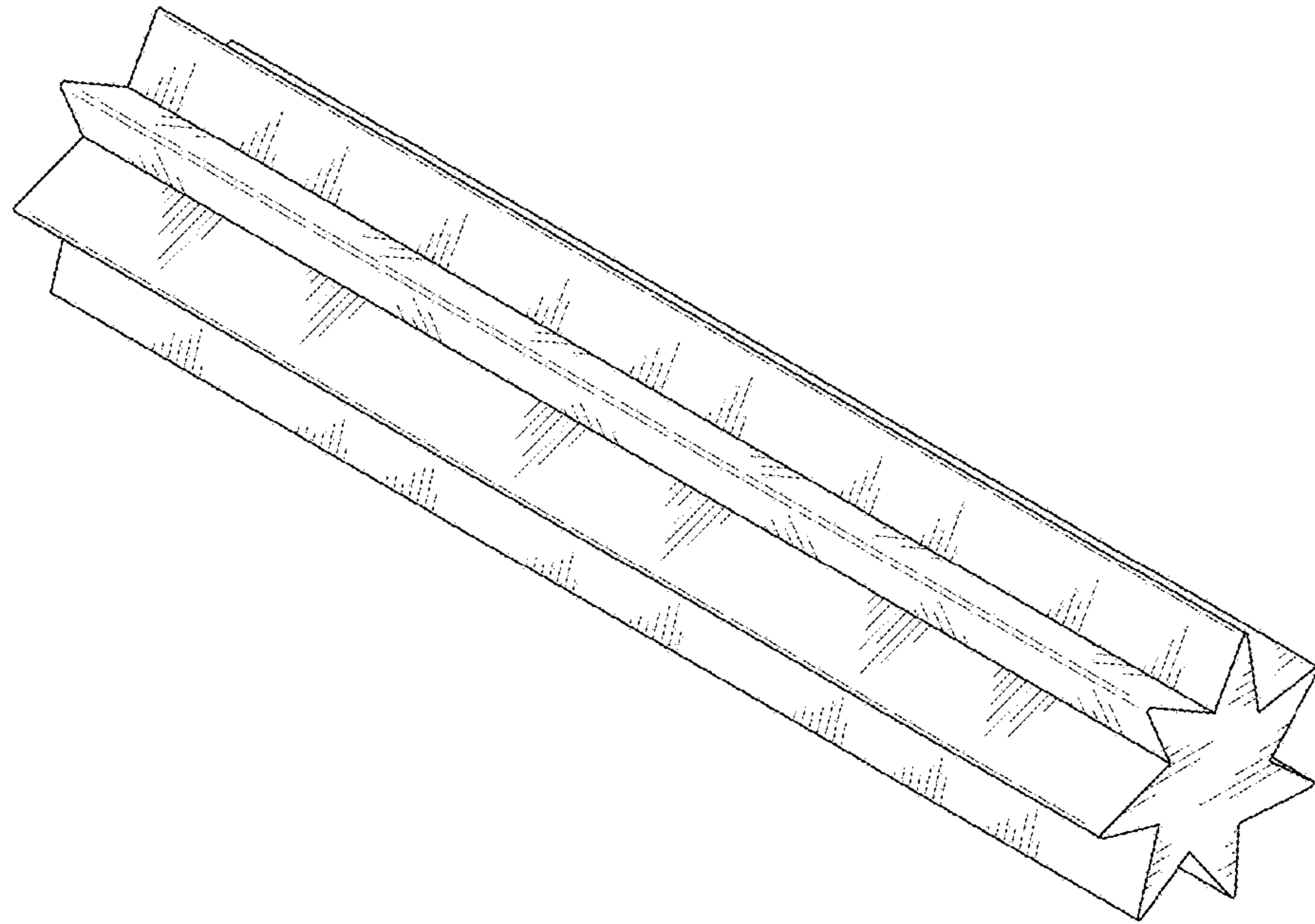


FIG. 1

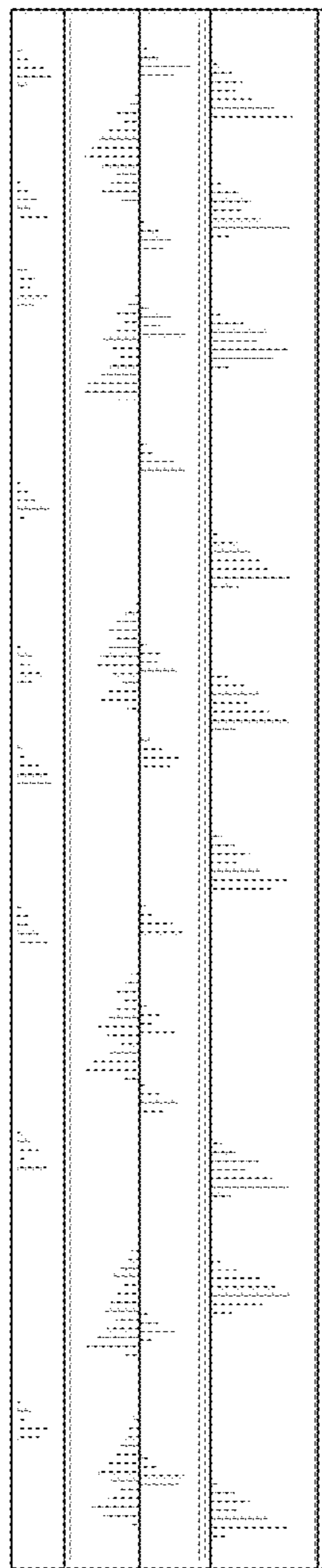


FIG. 2

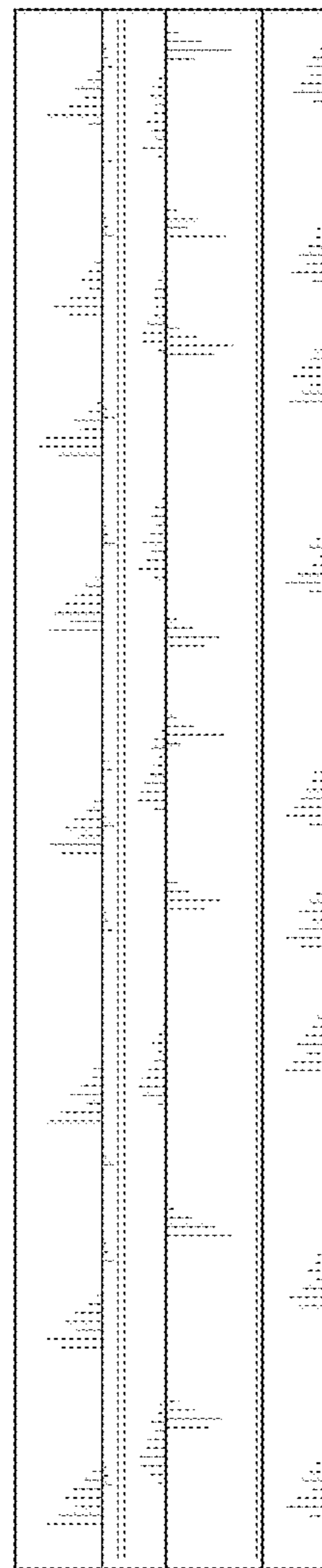


FIG. 3

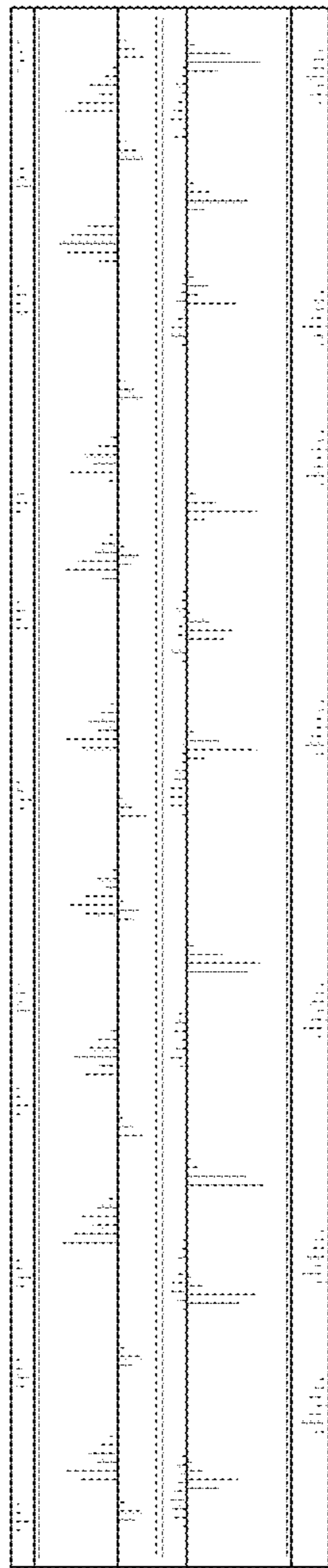


FIG. 4

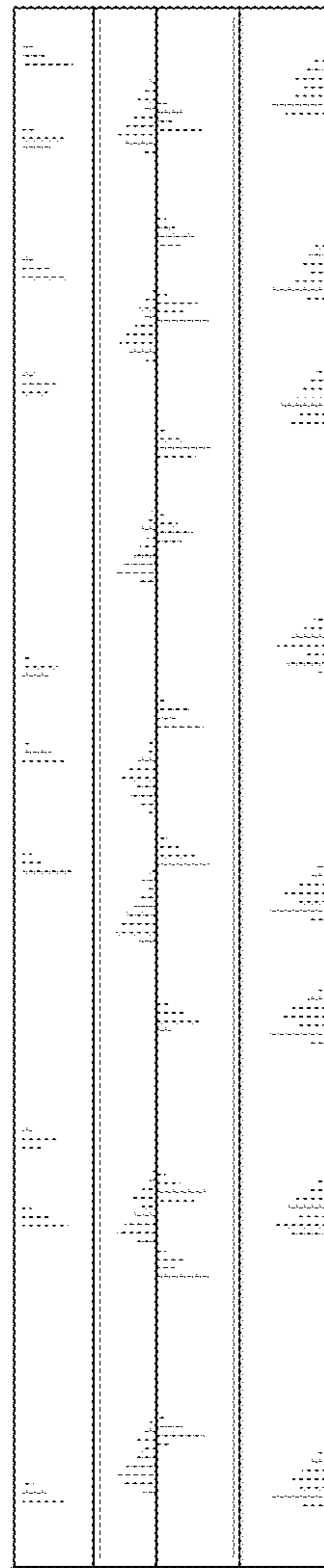


FIG. 5

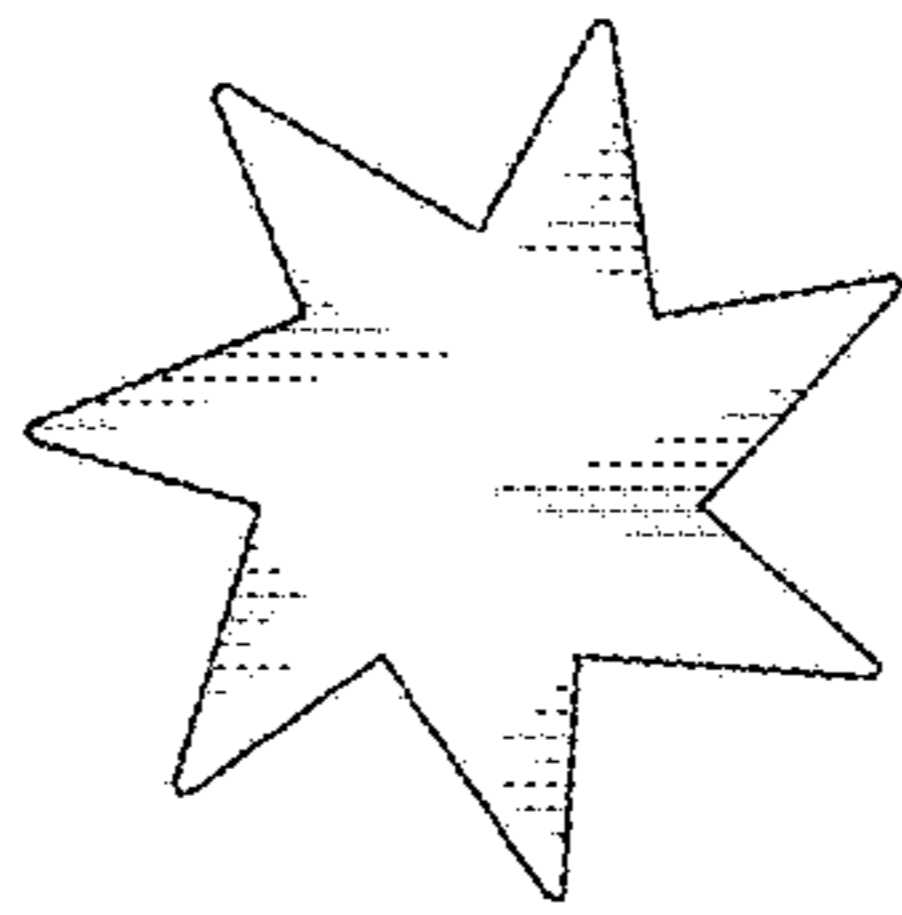


FIG. 6

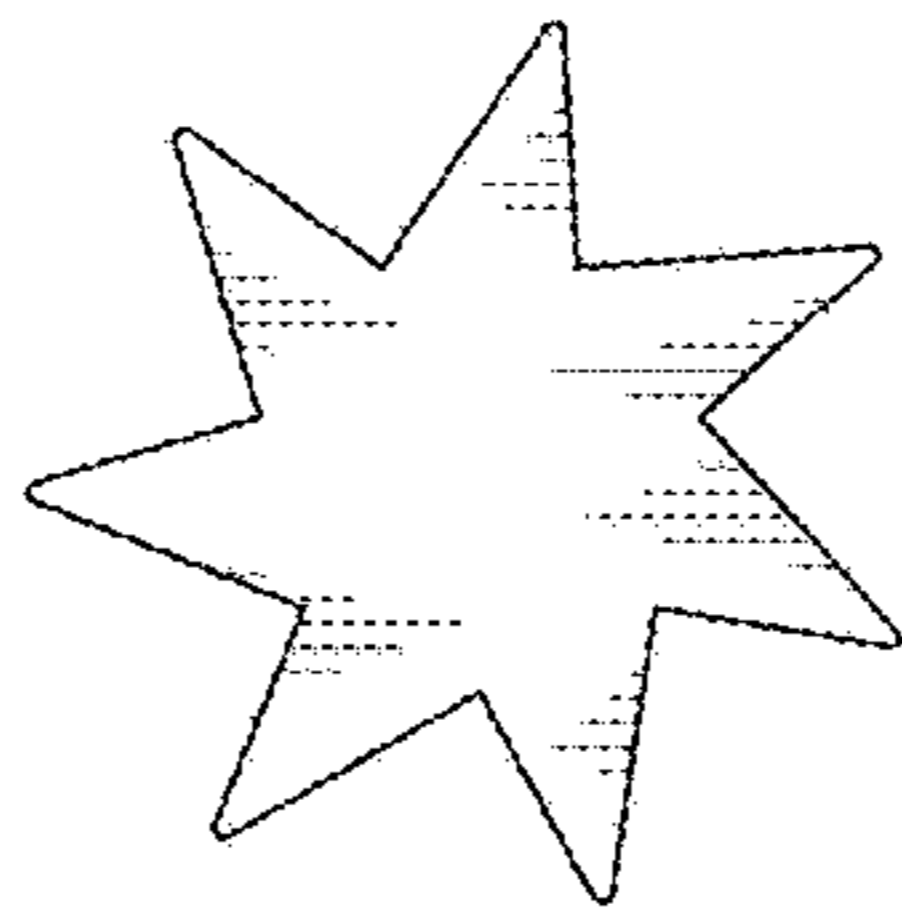


FIG. 7