



US00D859776S

(12) **United States Design Patent**
Khan

(10) **Patent No.:** **US D859,776 S**

(45) **Date of Patent:** **** Sep. 10, 2019**

- (54) **URN**
- (71) Applicant: **Mohammad Naseem Khan,**
Moradabad (IN)
- (72) Inventor: **Mohammad Naseem Khan,**
Moradabad (IN)
- (**) Term: **15 Years**
- (21) Appl. No.: **29/636,122**
- (22) Filed: **Feb. 6, 2018**
- (51) **LOC (12) Cl.** **03-01**
- (52) **U.S. Cl.**
USPC **D99/5**
- (58) **Field of Classification Search**
USPC D99/3, 5, 20, 21, 28, 34, 35; D3/17, 24,
D3/234; D9/609, 694, 738, 432;
D11/51, 75, 82
CPC A61G 17/00; A61G 17/08; A61G 17/007;
A61G 17/0073; A61G 17/0106; E04H
13/008; E04H 13/00
See application file for complete search history.

- D703,915 S * 4/2014 Irvine A61G 17/08
D99/5
- 8,732,919 B1 * 5/2014 Malueg-Ray A61G 17/08
27/1
- D756,835 S * 5/2016 Mogren D11/104
- D757,374 S * 5/2016 Breit D30/133
- D759,339 S * 6/2016 Smith D99/5
- D806,246 S * 12/2017 Schraga D24/146
- D811,622 S * 2/2018 Flood D25/113
- D812,336 S * 3/2018 Khan D99/5
- D812,594 S * 3/2018 Katopis D14/223
- D827,391 S * 9/2018 Summer D7/625

(Continued)

OTHER PUBLICATIONS

Paw shaped cremation urn in gold finish, posted © 2019 [online],
retrieved from Jan. 30, 2019, retrieved from internet, <<https://tihamiimpex.manufacturer.globalsources.com/si/6008836293996/pdtl/Funeral-urn/1161430907/Paw-shaped-cremation-urn.htm>>.*

(Continued)

Primary Examiner — Barbara Fox
Assistant Examiner — Messina L Smith
(74) *Attorney, Agent, or Firm* — David W. Carstens;
Carstens & Cahoon, LLP

(56) **References Cited**

U.S. PATENT DOCUMENTS

- D571,929 S * 6/2008 Palmer, III D25/2
- D572,141 S * 7/2008 Slabaugh D9/414
- D579,172 S * 10/2008 Mytych D99/5
- D581,830 S * 12/2008 Slabaugh D11/121
- D585,727 S * 2/2009 Kelleghan D8/356
- D591,162 S * 4/2009 Slabaugh D9/414
- D614,074 S * 4/2010 Castaline D11/79
- D654,245 S * 2/2012 School D99/5
- D656,280 S * 3/2012 St. Clair D30/122
- D676,202 S * 2/2013 Hansen D30/121
- D685,565 S * 7/2013 Bhandula
- D693,862 S * 11/2013 Wirth, Jr. D15/140
- D696,832 S * 12/2013 Khan D99/5
- D697,687 S * 1/2014 Kerr D1/107

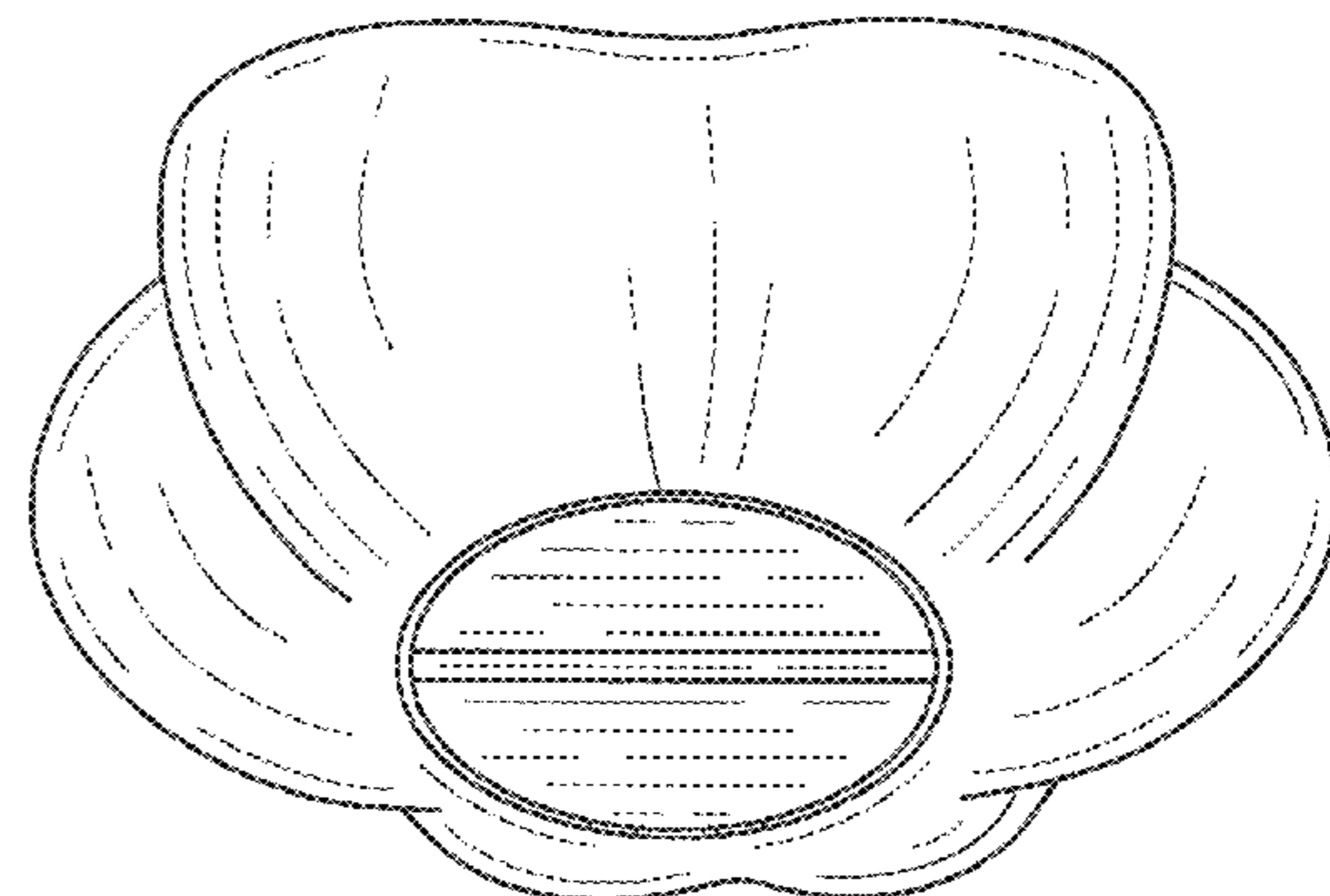
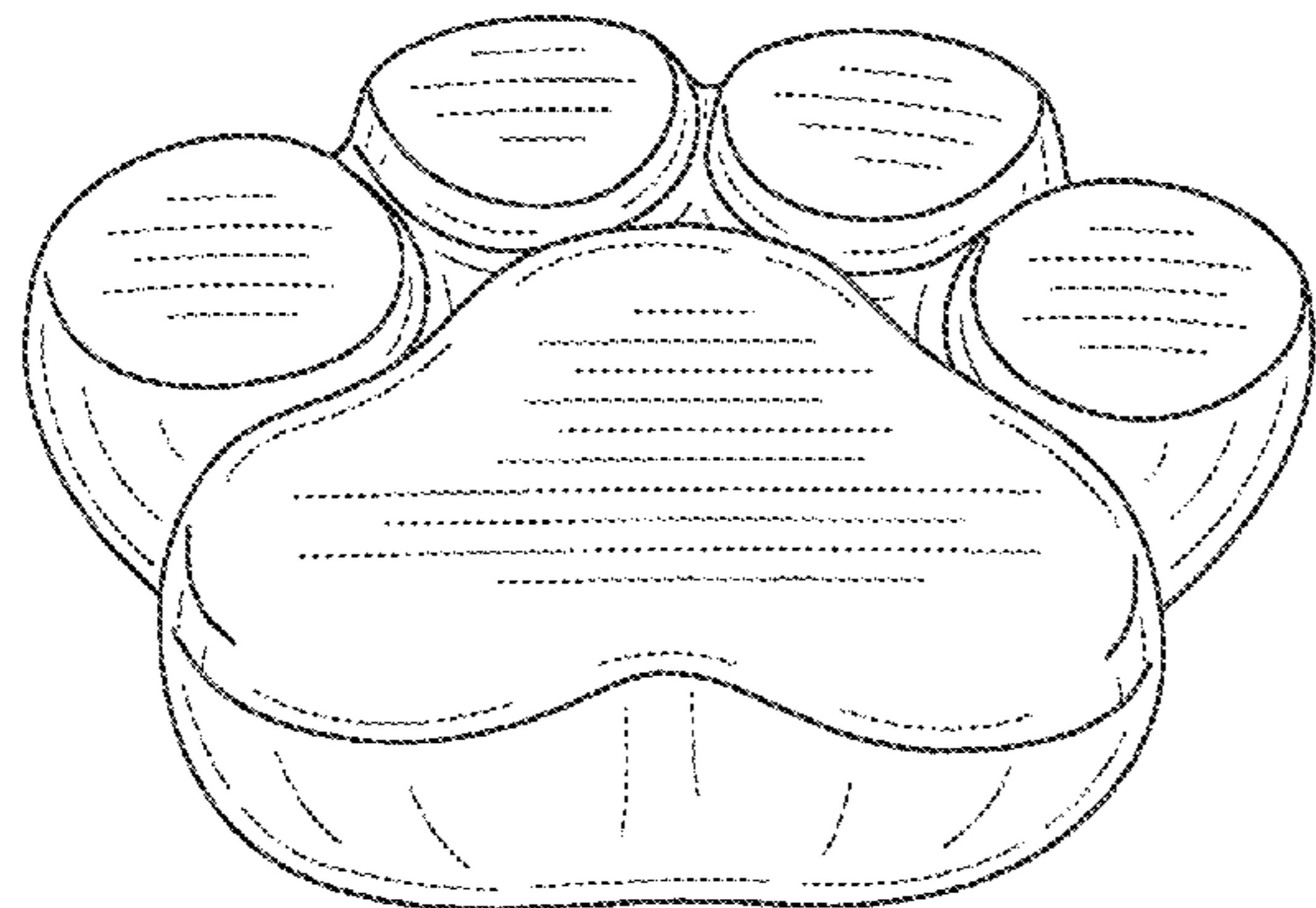
(57) **CLAIM**

The ornamental design for an urn, as shown and described.

DESCRIPTION

FIG. 1 is a top perspective view of an urn showing my new design;
FIG. 2 is a bottom perspective view thereof;
FIG. 3 is a top view thereof;
FIG. 4 is a bottom view thereof;
FIG. 5 is a front view thereof;
FIG. 6 is a back view thereof;
FIG. 7 is a right side view thereof; and,
FIG. 8 is a left side view thereof.

1 Claim, 4 Drawing Sheets



(56)

References Cited

U.S. PATENT DOCUMENTS

2011/0169183 A1* 7/2011 Axelrod B29C 45/14778
264/46.4
2014/0047684 A1* 2/2014 Reynolds A61G 17/08
27/1
2018/0070686 A1* 3/2018 de Cezaro A44C 9/0069

OTHER PUBLICATIONS

Dog Paw Copper Pet Urn, posted © 2019 [online], retrieved from Jan. 30, 2019, retrieved from internet, <<https://www.artisurn.com/collections/pet-urns/products/dog-paw-copper-pet-urn>>.*

D. Michael Colvard, MD, FACS; "Achieving Excellence in Cataract Surgery, A Step-by-Step Approach"; Chapter 12, 2009.

* cited by examiner

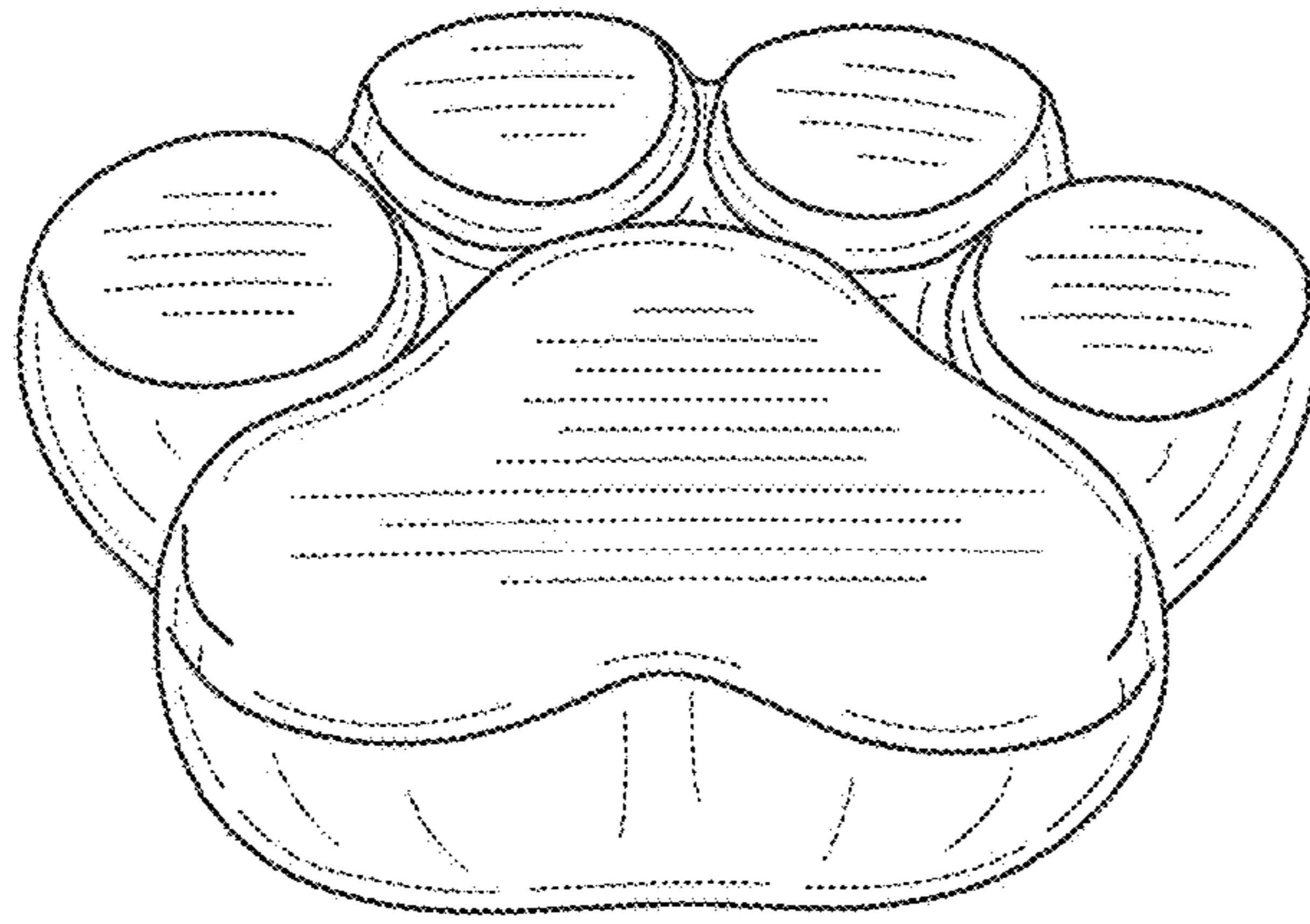


FIG. 1

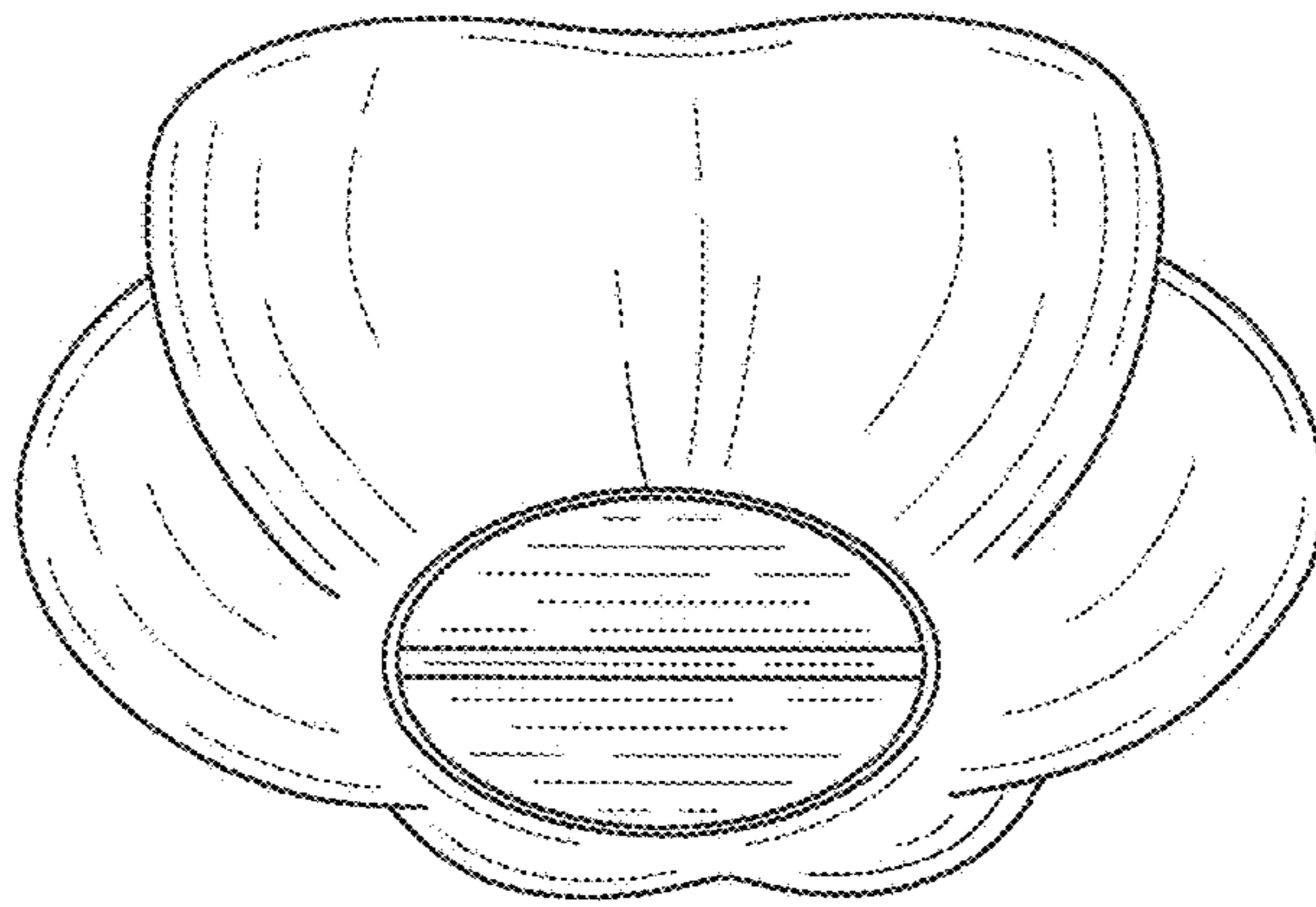


FIG. 2

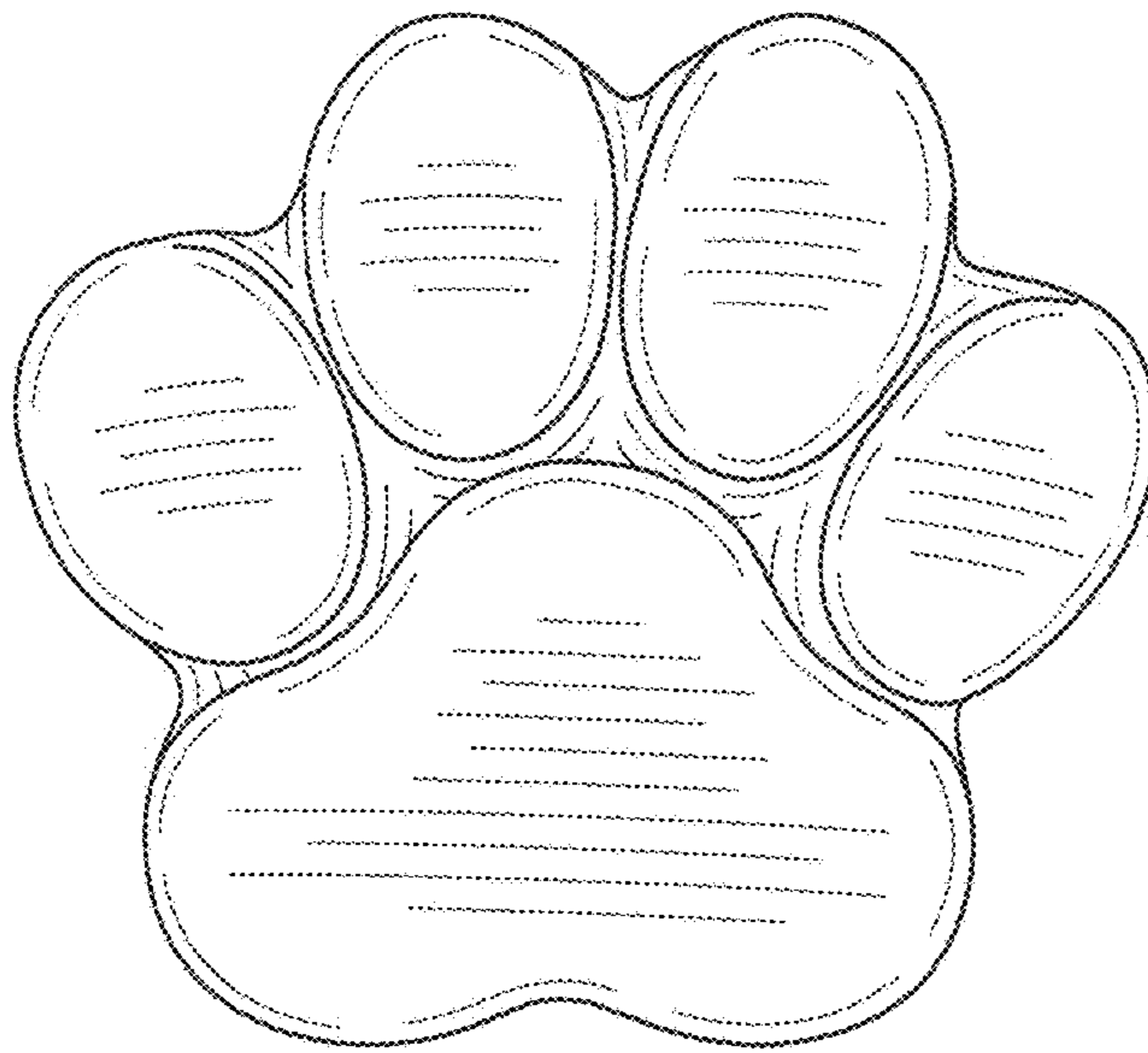


FIG. 3

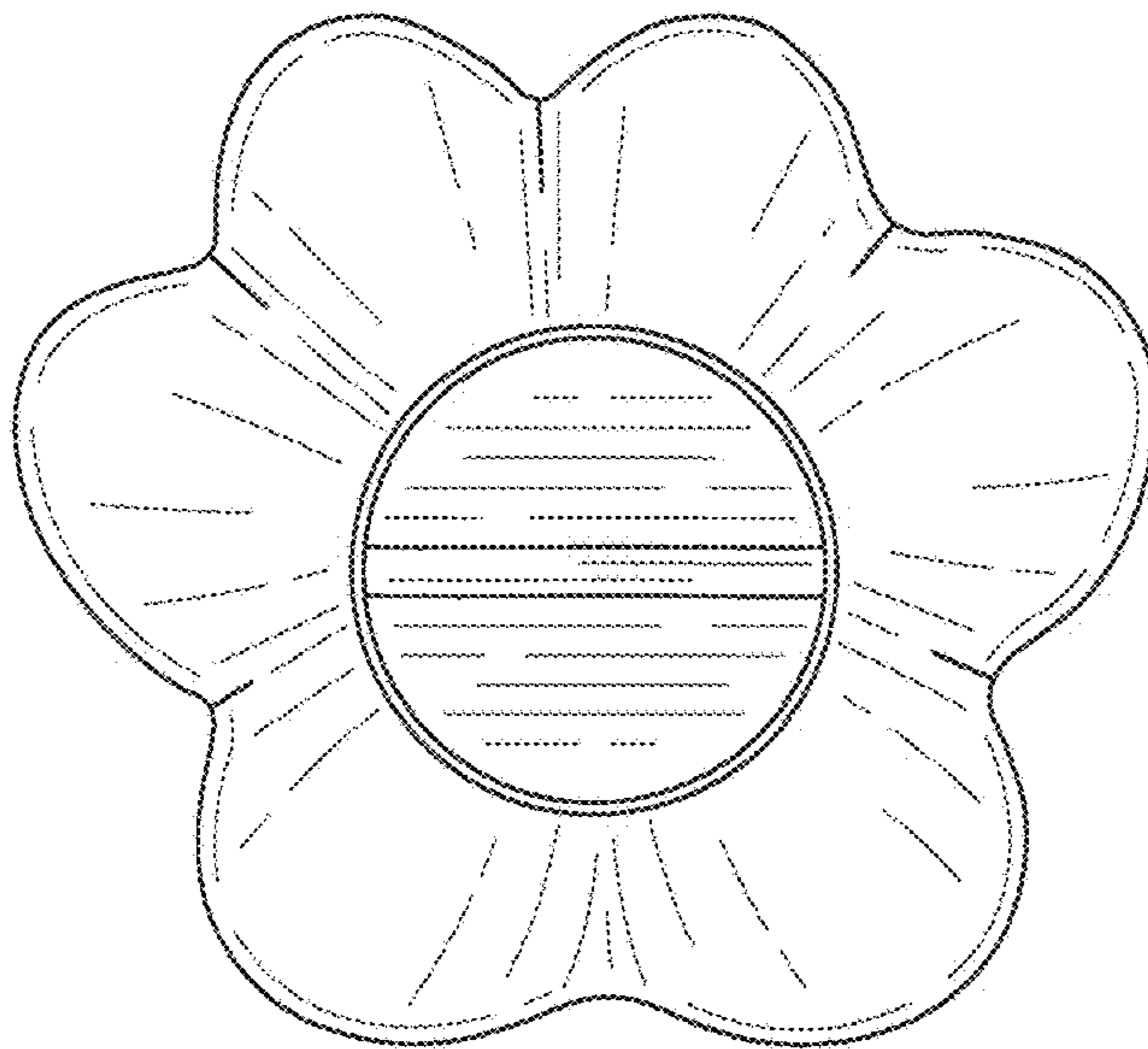


FIG. 4

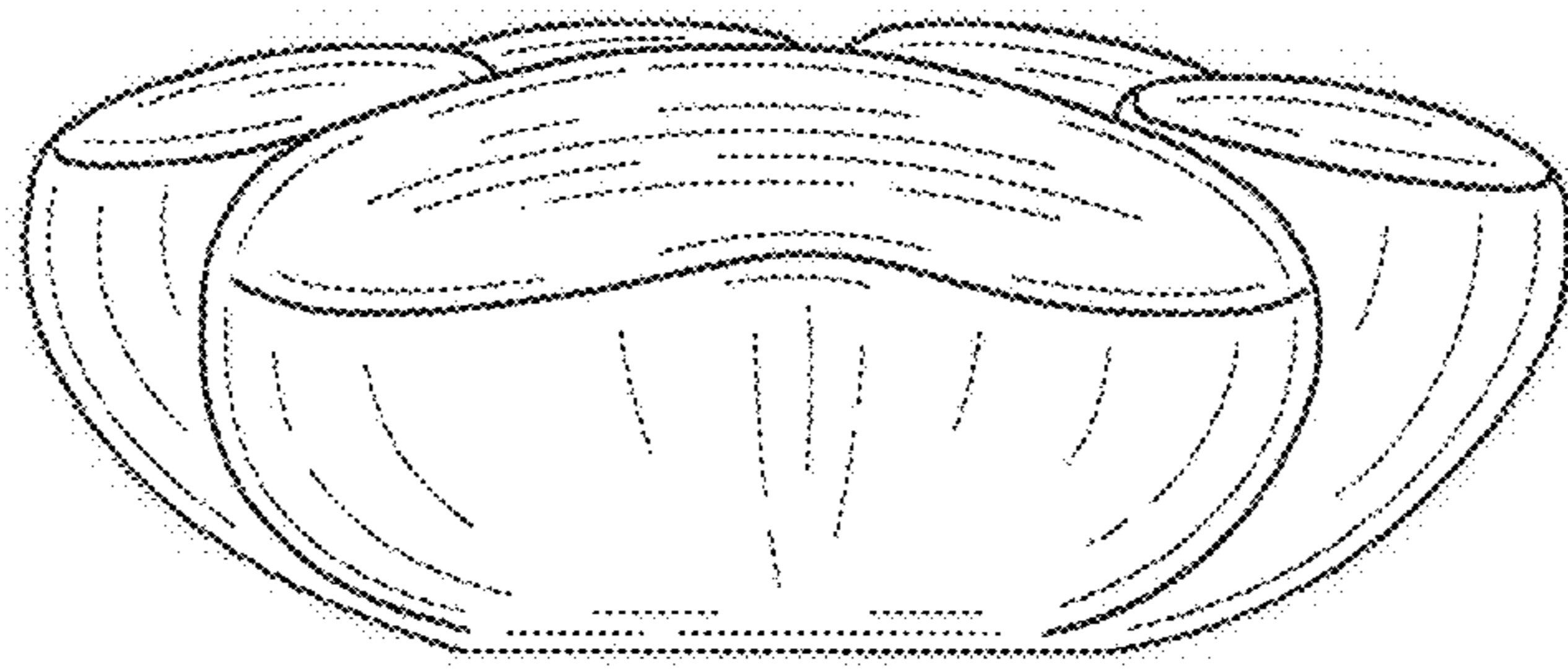


FIG. 5

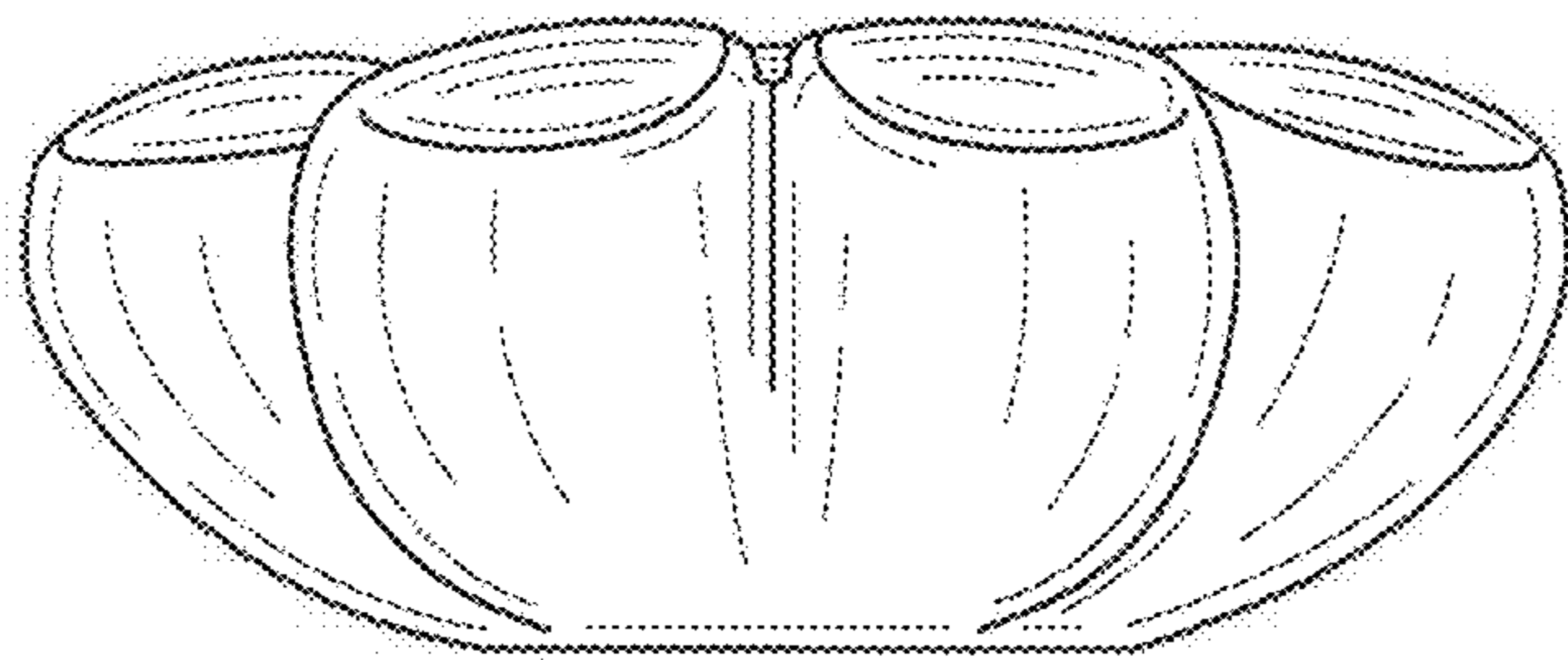


FIG. 6

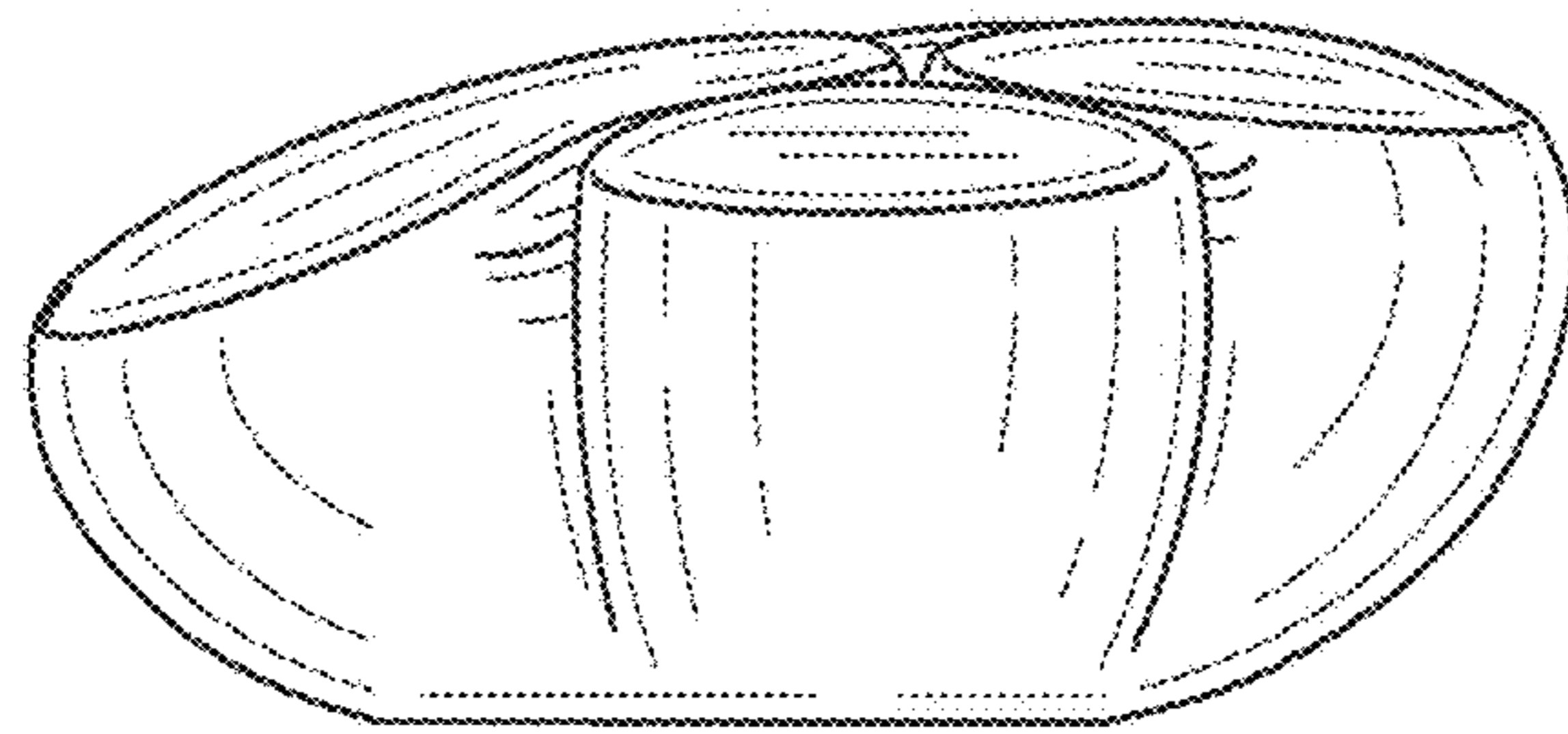


FIG. 7

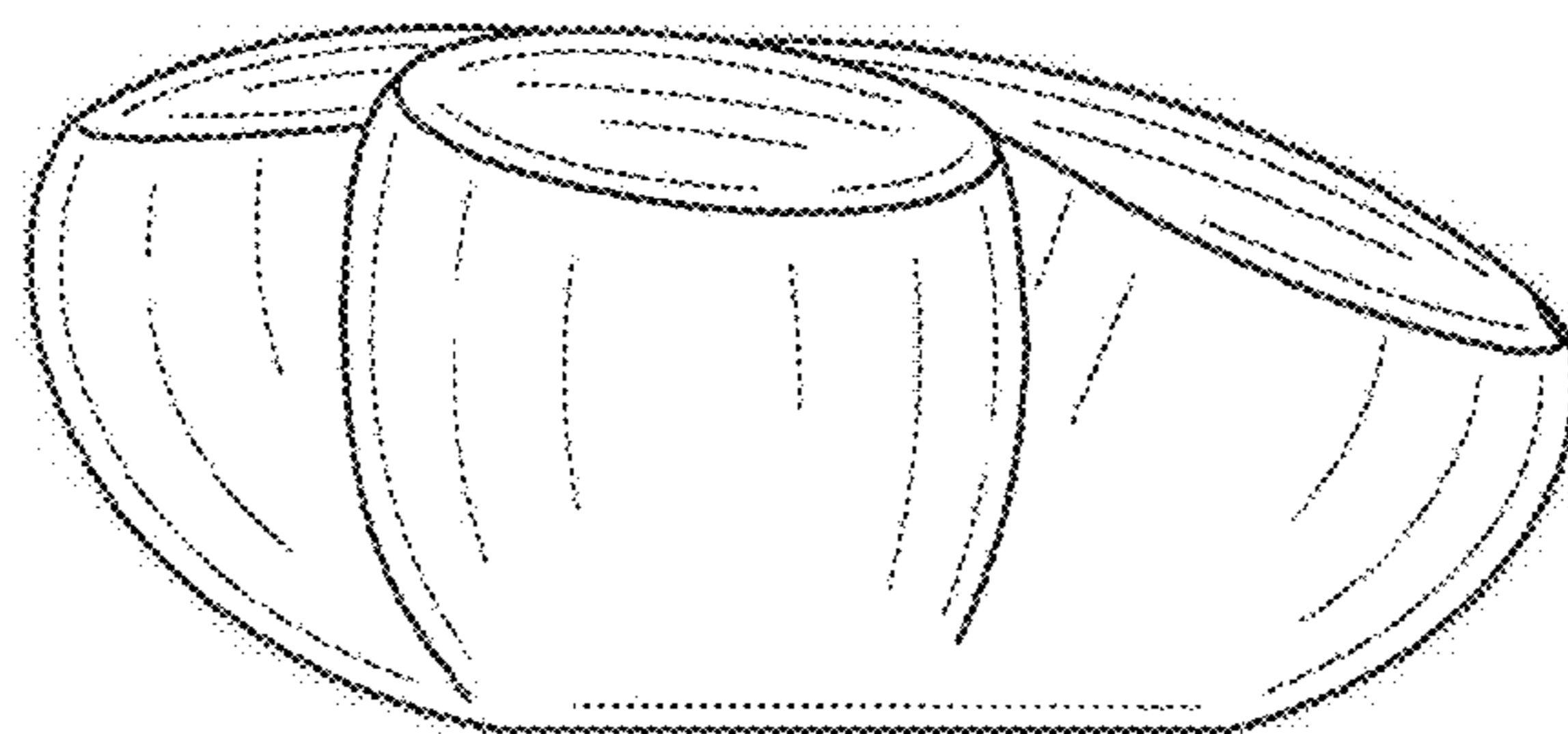


FIG. 8