



US00D859775S

(12) **United States Design Patent** (10) **Patent No.:** **US D859,775 S**  
**Nilsson** (45) **Date of Patent:** **\*\* Sep. 10, 2019**

(54) **FORKLIFT**  
(71) Applicant: **Toyota Material Handling Manufacturing Sweden AB, Mjölby (SE)**  
(72) Inventor: **Mattias Nilsson, Mjölby (SE)**  
(73) Assignee: **Toyota Material Handling Manufacturing Sweden AB, Mjölby (SE)**  
(\*\*) Term: **15 Years**  
(21) Appl. No.: **29/657,668**  
(22) Filed: **Jul. 24, 2018**

6,182,797 B1 \* 2/2001 Tebbe ..... B66F 9/07531  
187/222  
6,767,175 B2 \* 7/2004 Fujita ..... B62B 3/06  
414/619  
D537,226 S \* 2/2007 Niebuhr ..... D34/34  
D542,005 S \* 5/2007 Weiner ..... D34/34  
7,306,280 B1 \* 12/2007 Kraimer ..... B66F 9/07504  
280/756  
D583,124 S \* 12/2008 Stark ..... D34/34  
D605,374 S \* 12/2009 Nishikawa ..... D34/34  
D640,855 S \* 6/2011 Ruppert ..... D34/34  
D664,323 S \* 7/2012 Lee ..... D34/34  
D684,333 S \* 6/2013 Knie ..... D34/34  
D717,514 S \* 11/2014 Miggels ..... D34/34  
D720,114 S \* 12/2014 Stark ..... D34/34  
D750,339 S \* 2/2016 Miggels ..... D34/35  
D752,310 S \* 3/2016 Wen ..... D34/28  
D752,312 S \* 3/2016 Chen ..... D34/34  
2003/0156934 A1 \* 8/2003 Fujita ..... B62B 3/06  
414/618

(30) **Foreign Application Priority Data**

Jan. 26, 2018 (EM) ..... 004681922  
(51) **LOC (12) Cl.** ..... **12-05**  
(52) **U.S. Cl.**  
USPC ..... **D34/34**  
(58) **Field of Classification Search**  
USPC ..... D34/34, 35, 37; D15/10; 414/631, 575,  
414/592; 187/222, 234, 226, 238;  
180/89.12, 89.13, 89.17  
CPC ..... B62B 3/0612; B62B 5/063; B60N 2/00;  
B60N 2/4693; B66F 9/07531; B60R 1/00  
See application file for complete search history.

(56) **References Cited**

U.S. PATENT DOCUMENTS  
4,266,808 A \* 5/1981 Fassett ..... B66F 9/07545  
248/548  
D313,100 S \* 12/1990 Soederberg ..... D12/14

\* cited by examiner

*Primary Examiner* — Mark A Goodwin  
(74) *Attorney, Agent, or Firm* — Knobbe, Martens, Olson & Bear, LLP

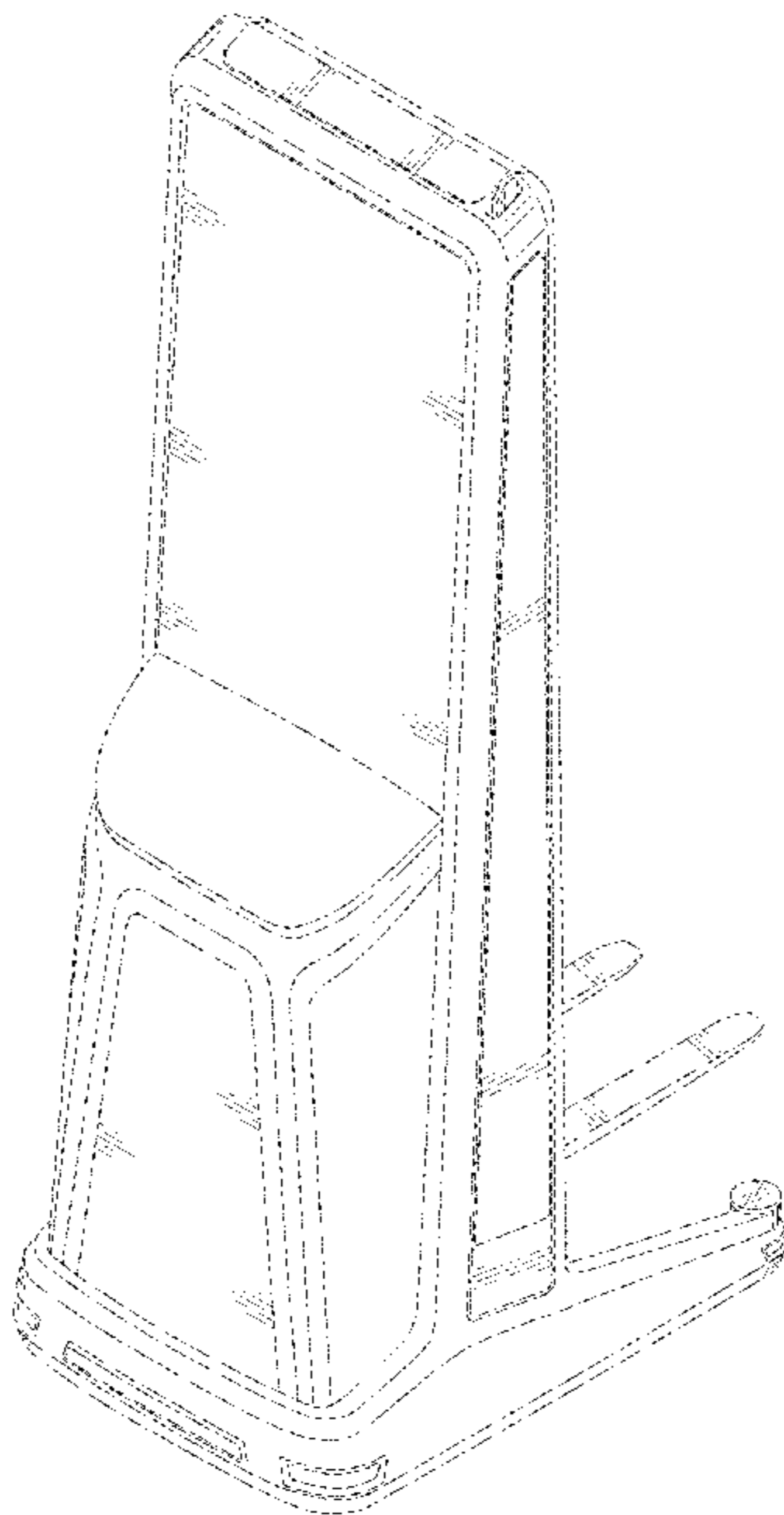
(57) **CLAIM**

The ornamental design for a forklift, as shown and described.

**DESCRIPTION**

FIG. 1 is front perspective view of a forklift, showing my new design.  
FIG. 2 is a left side elevational view thereof.  
FIG. 3 is a right side elevational view thereof.  
FIG. 4 is a front elevational view thereof.  
FIG. 5 is a rear elevational view thereof.  
FIG. 6 is a top plan view thereof; and,  
FIG. 7 is a bottom plan view thereof.

**1 Claim, 7 Drawing Sheets**



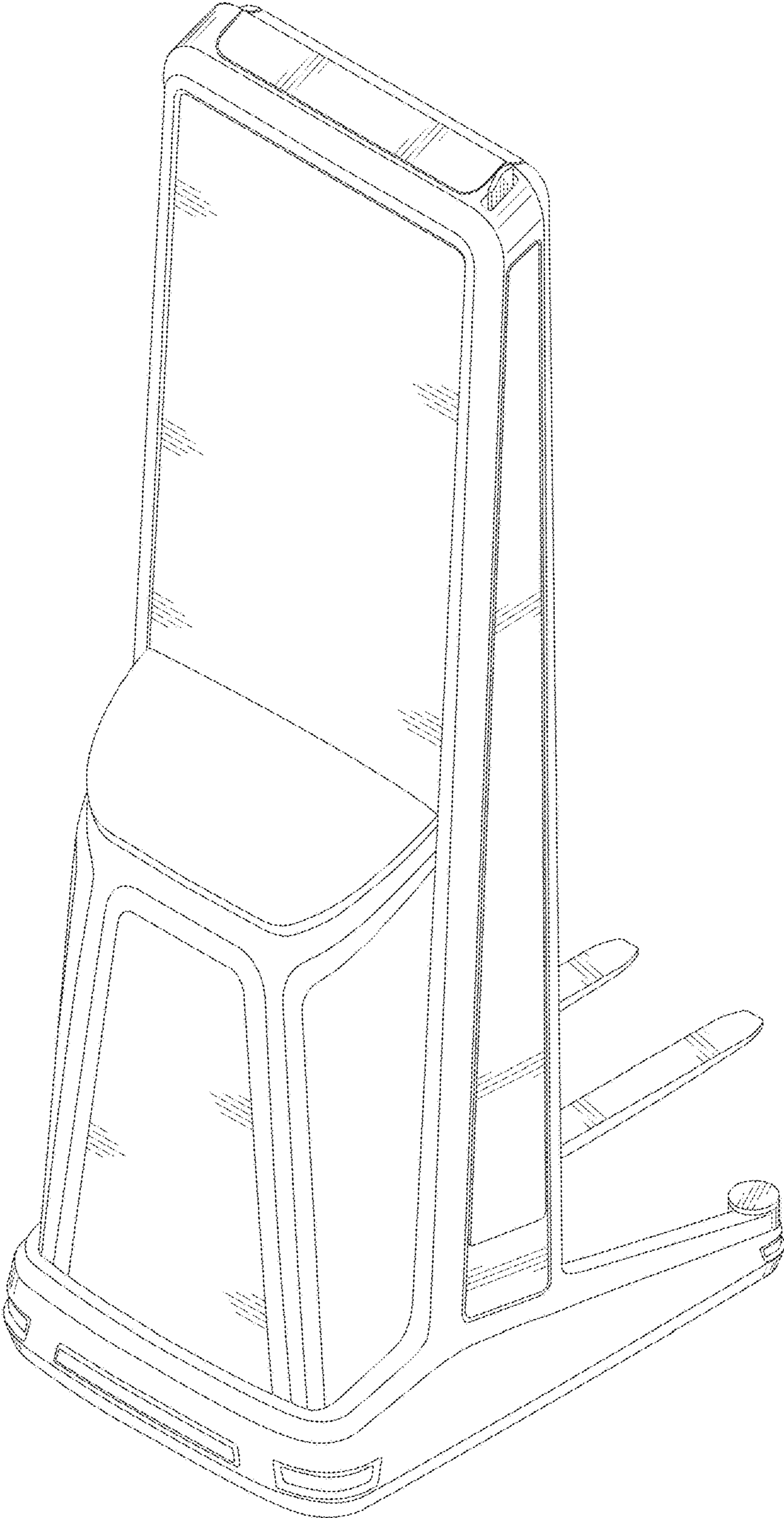


FIG. 1

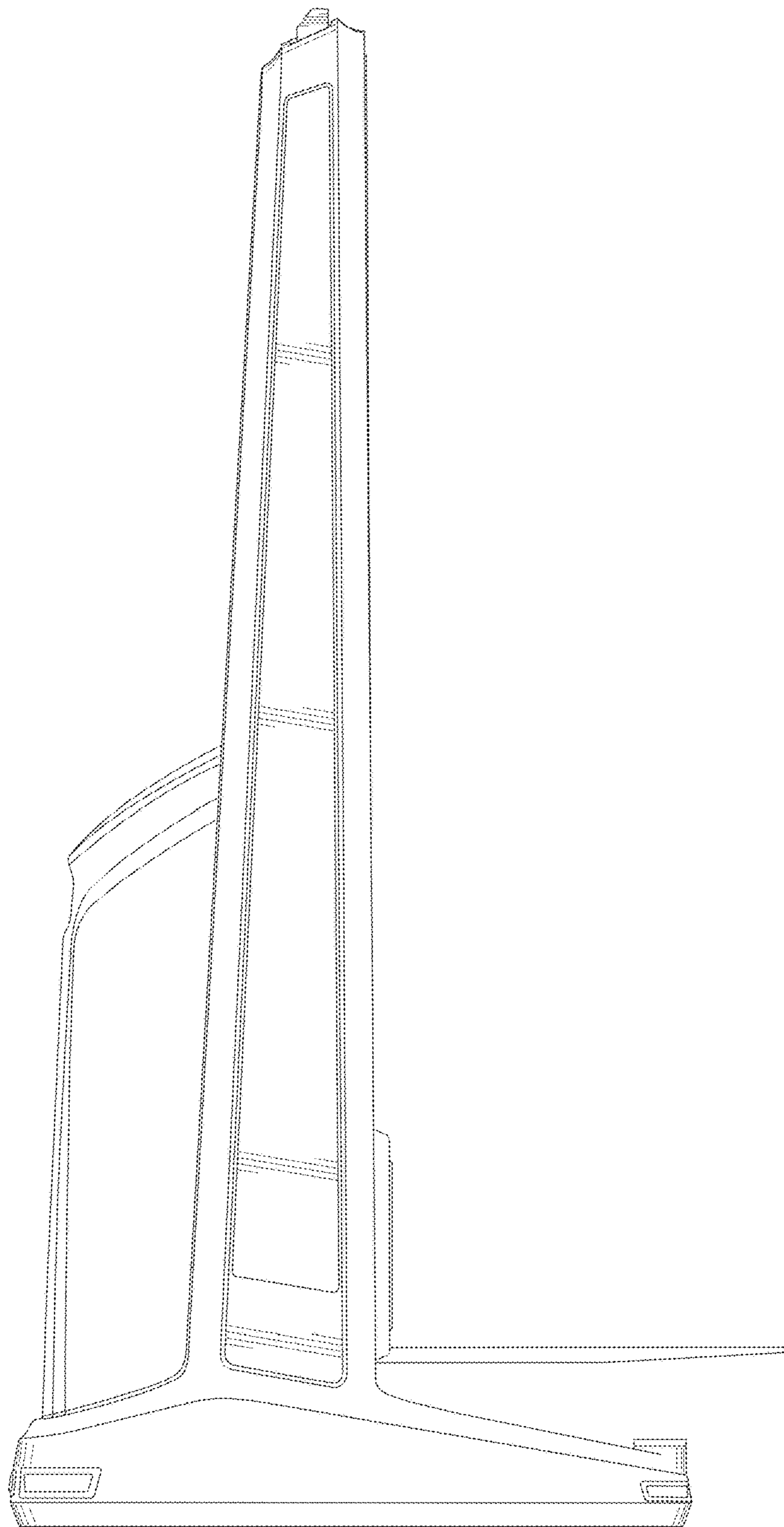


FIG. 2

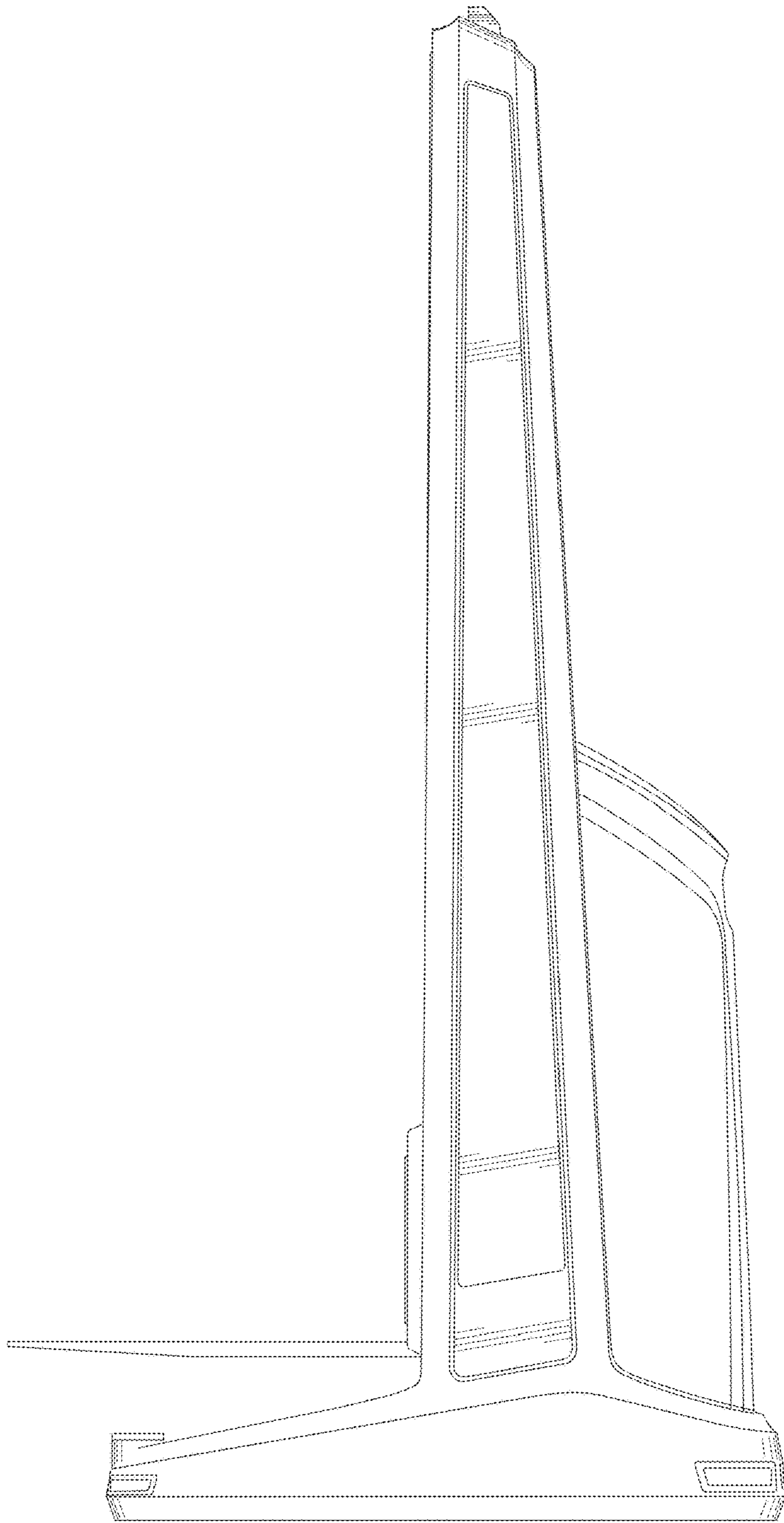


FIG. 3

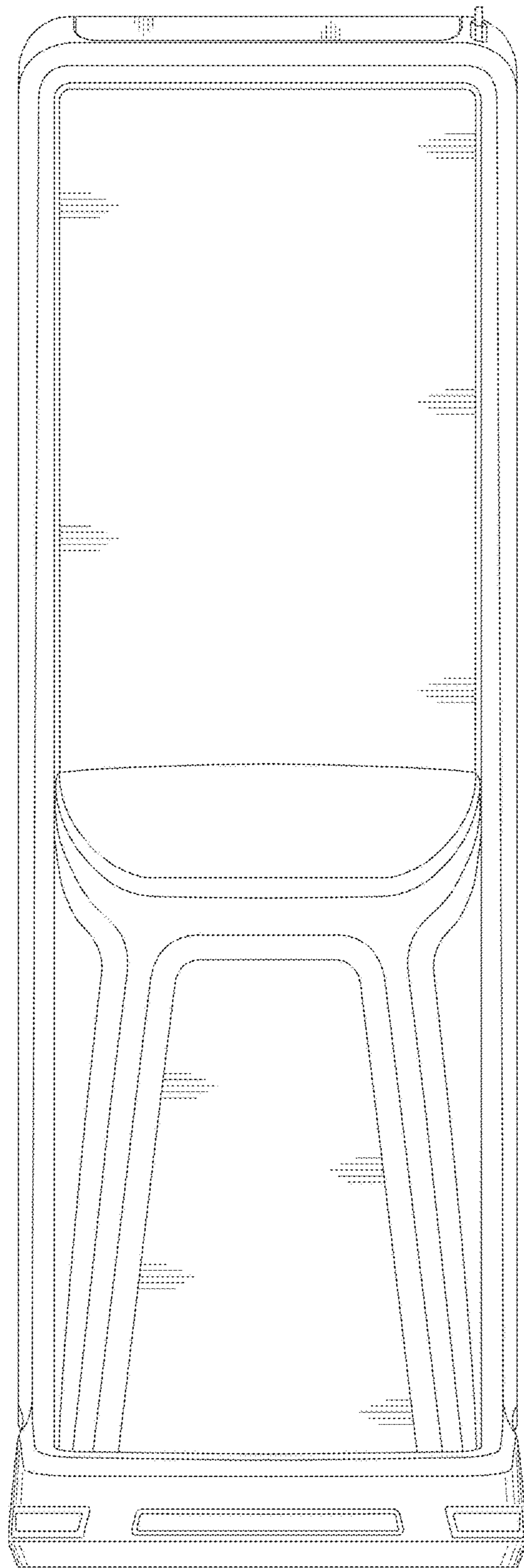


FIG. 4

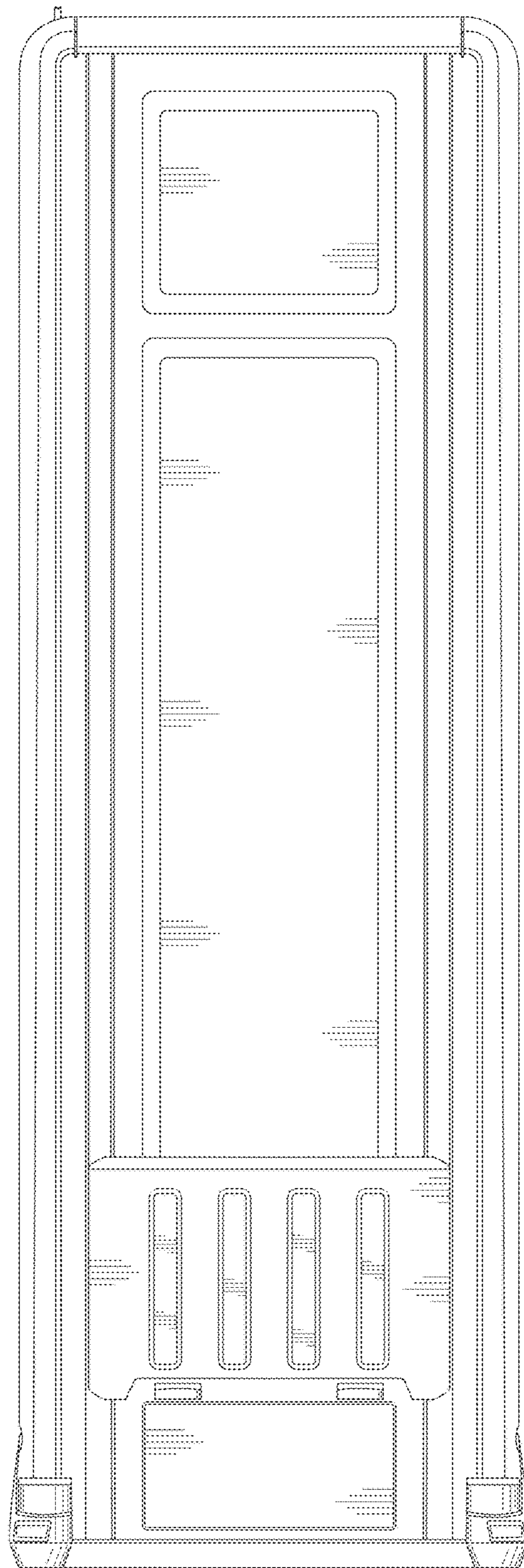


FIG. 5

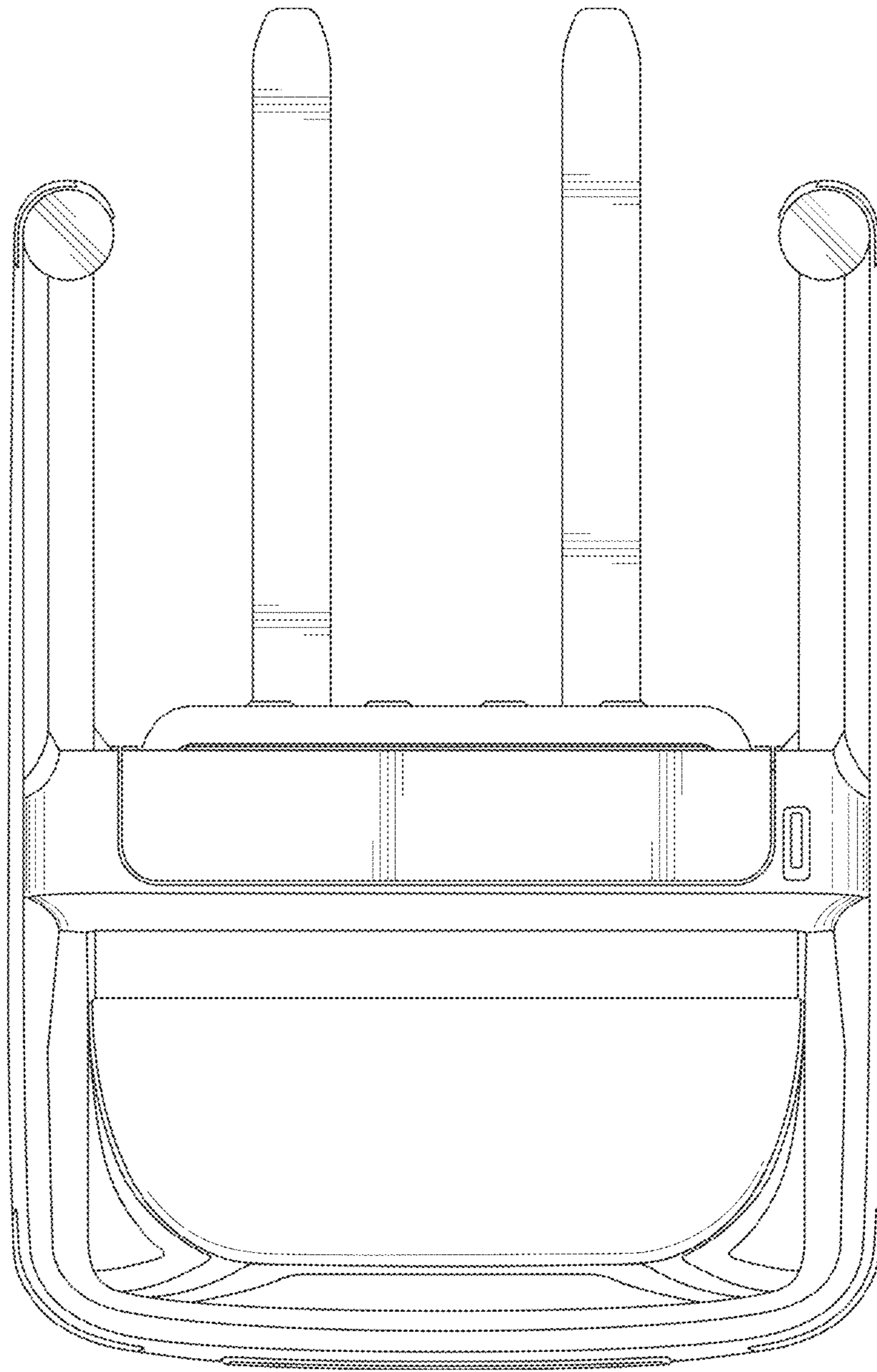


FIG. 6

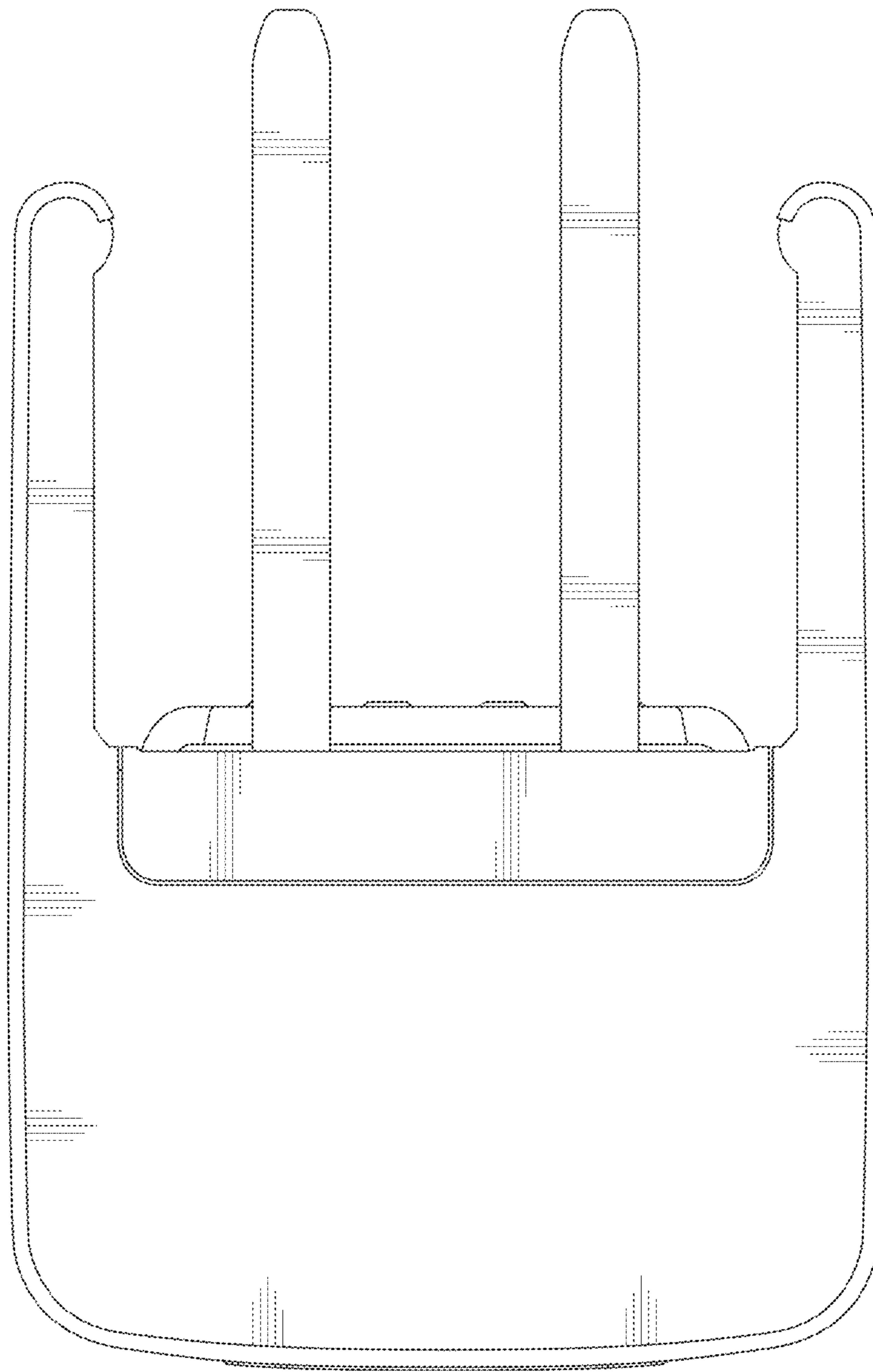


FIG. 7