



US00D859773S

(12) **United States Design Patent** (10) **Patent No.:** **US D859,773 S**
Beamish et al. (45) **Date of Patent:** **** Sep. 10, 2019**

(54) **SCISSOR LIFT**

(71) Applicant: **JCB ACCESS LIMITED**, Uttoxeter (GB)

(72) Inventors: **Tom Beamish**, Uttoxeter (GB);
Richard Zhang, Uttoxeter (GB);
Samuel John Jilbert, Uttoxeter (GB)

(73) Assignee: **JCB ACCESS LIMITED**, Uttoxeter (GB)

(**) Term: **15 Years**

(21) Appl. No.: **29/610,594**

(22) Filed: **Jul. 13, 2017**

(51) **LOC (12) Cl.** **12-05**

(52) **U.S. Cl.**
USPC **D34/28**

(58) **Field of Classification Search**
USPC D34/28
CPC B66F 9/06; B66F 5/00; B66F 5/02; B66F 7/00; B66F 7/04; B66F 7/06; B66F 6/11; B66F 9/065; B66F 17/006; B66F 17/0666; B66F 11/046; E04G 1/22; B62B 1/18; B62B 1/10

See application file for complete search history.

(56) **References Cited**

U.S. PATENT DOCUMENTS

3,920,096 A * 11/1975 Fisher B66F 11/042 182/14

D306,369 S * 2/1990 Kishi D34/28

4,930,598 A * 6/1990 Murrill B66F 11/042 182/141

2002/0195295 A1* 12/2002 Arnoldy B66F 11/042 182/69.5

2003/0029673 A1* 2/2003 Puskiewicz B66F 9/06 182/69.1

2004/0045768 A1* 3/2004 Puskiewicz B66F 17/006 182/69.5

2012/0186908 A1* 7/2012 Crook B66F 11/042 182/69.5

2014/0265254 A1* 9/2014 Sekine B66F 9/07586 280/638

2015/0246684 A1* 9/2015 Ahern B62D 5/0457 701/41

2016/0280246 A1* 9/2016 Pino B66F 5/02

2017/0233232 A1* 8/2017 Davis B66F 11/042 182/69.5

2017/0283229 A1* 10/2017 Shi B66F 17/006

2018/0057333 A1* 3/2018 Gale B66F 11/042

2018/0162708 A1* 6/2018 Pithoud B66F 11/042

2018/0251354 A1* 9/2018 Mohlman B66F 11/042

* cited by examiner

Primary Examiner — Cynthia Ramirez

(74) *Attorney, Agent, or Firm* — Marshall, Gerstein & Borun LLP

(57) **CLAIM**

The ornamental design for a scissor lift, as shown and described.

DESCRIPTION

FIG. 1 is a right-side, back, and top view of a scissor lift, showing the new design.

FIG. 2 is a top plan view of the scissor lift.

FIG. 3 is a right-side elevation of the scissor lift.

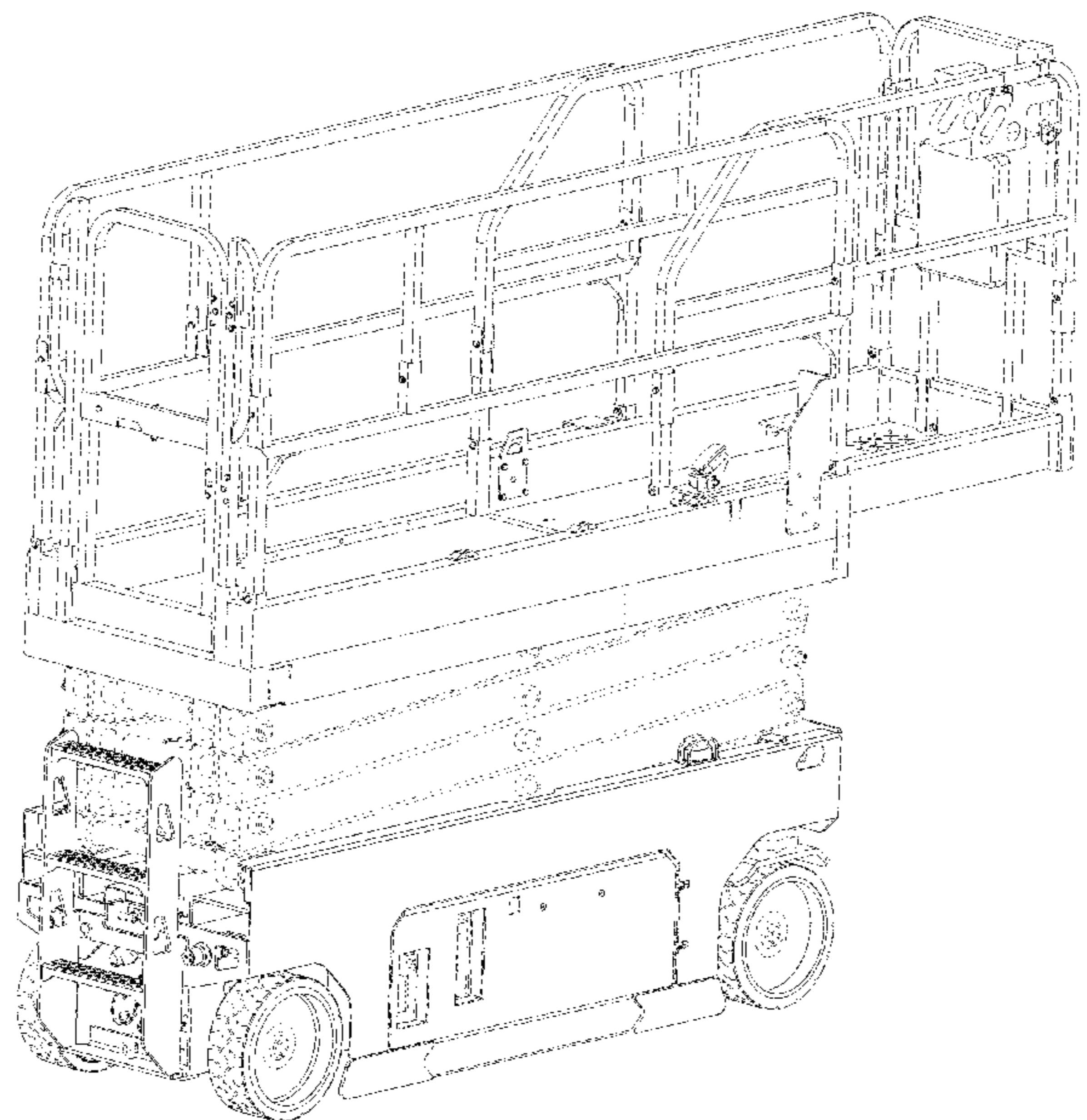
FIG. 4 is a front elevation of the scissor lift.

FIG. 5 is a rear elevation of the scissor lift.

FIG. 6 is a left-side elevation of the scissor lift; and, FIG. 7 is an underside plan view of the scissor lift.

The broken lines depict portions of the scissor lift that form no part of the claimed design.

1 Claim, 7 Drawing Sheets



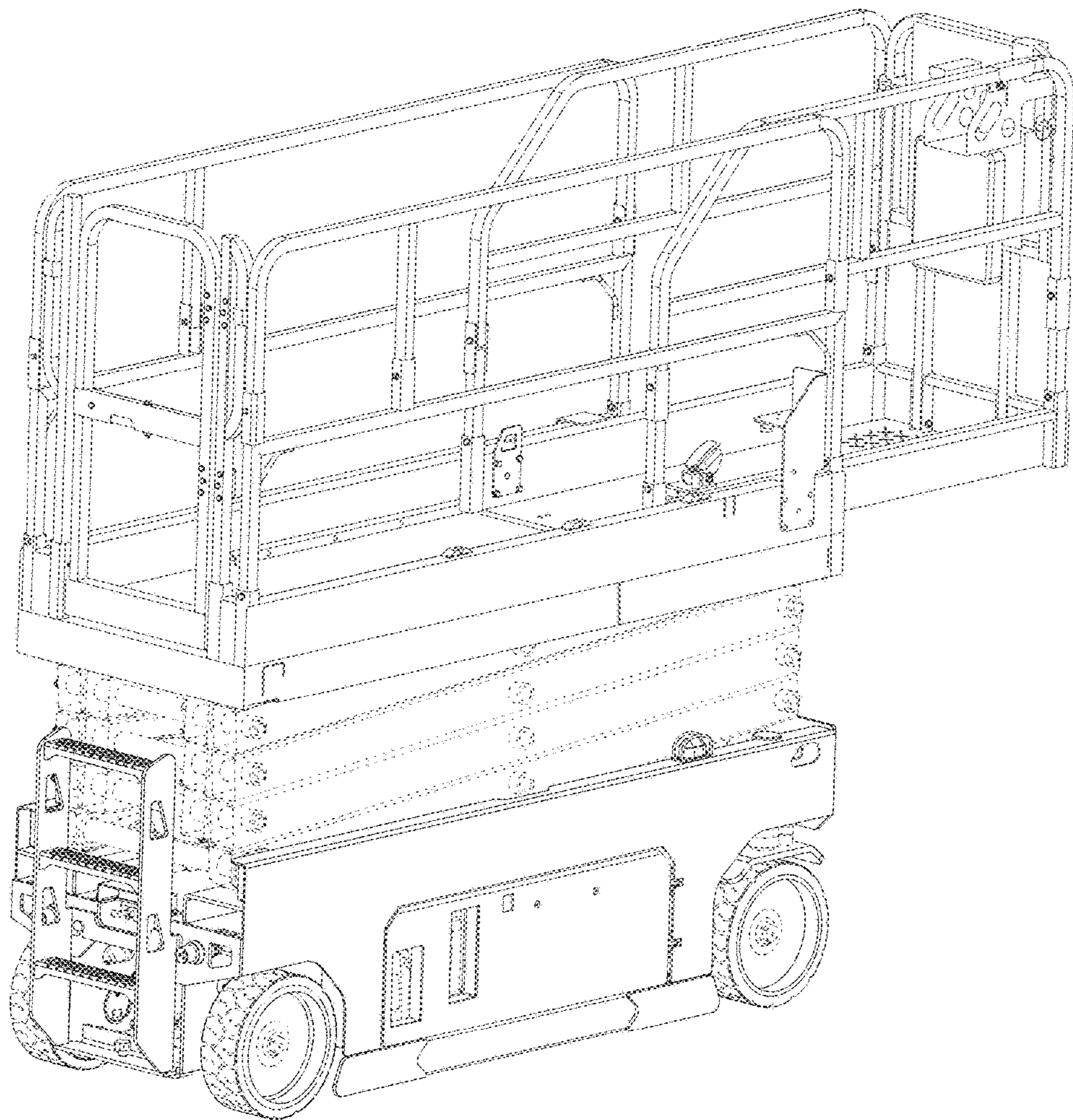


Fig. 1

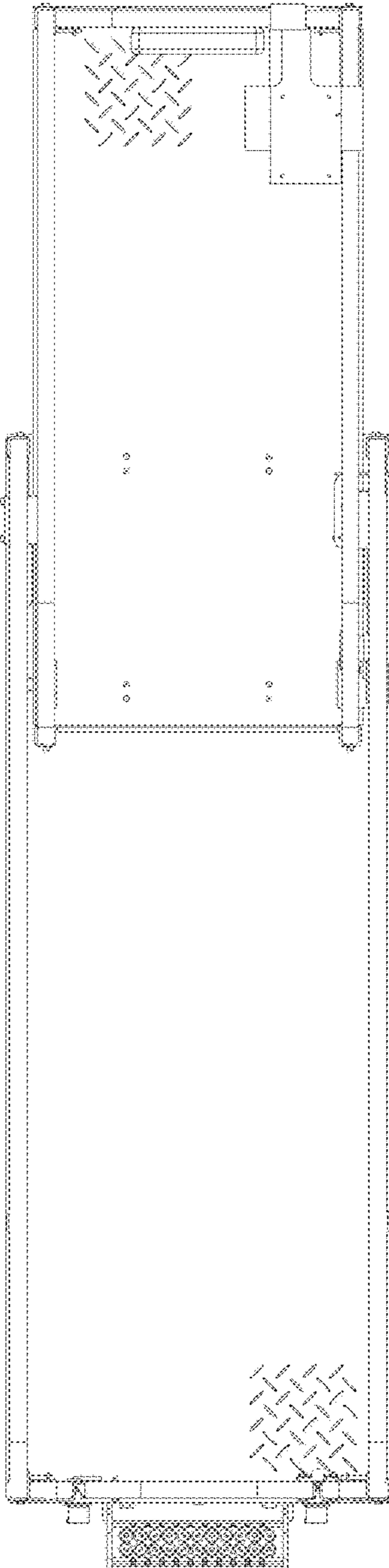


Fig. 2

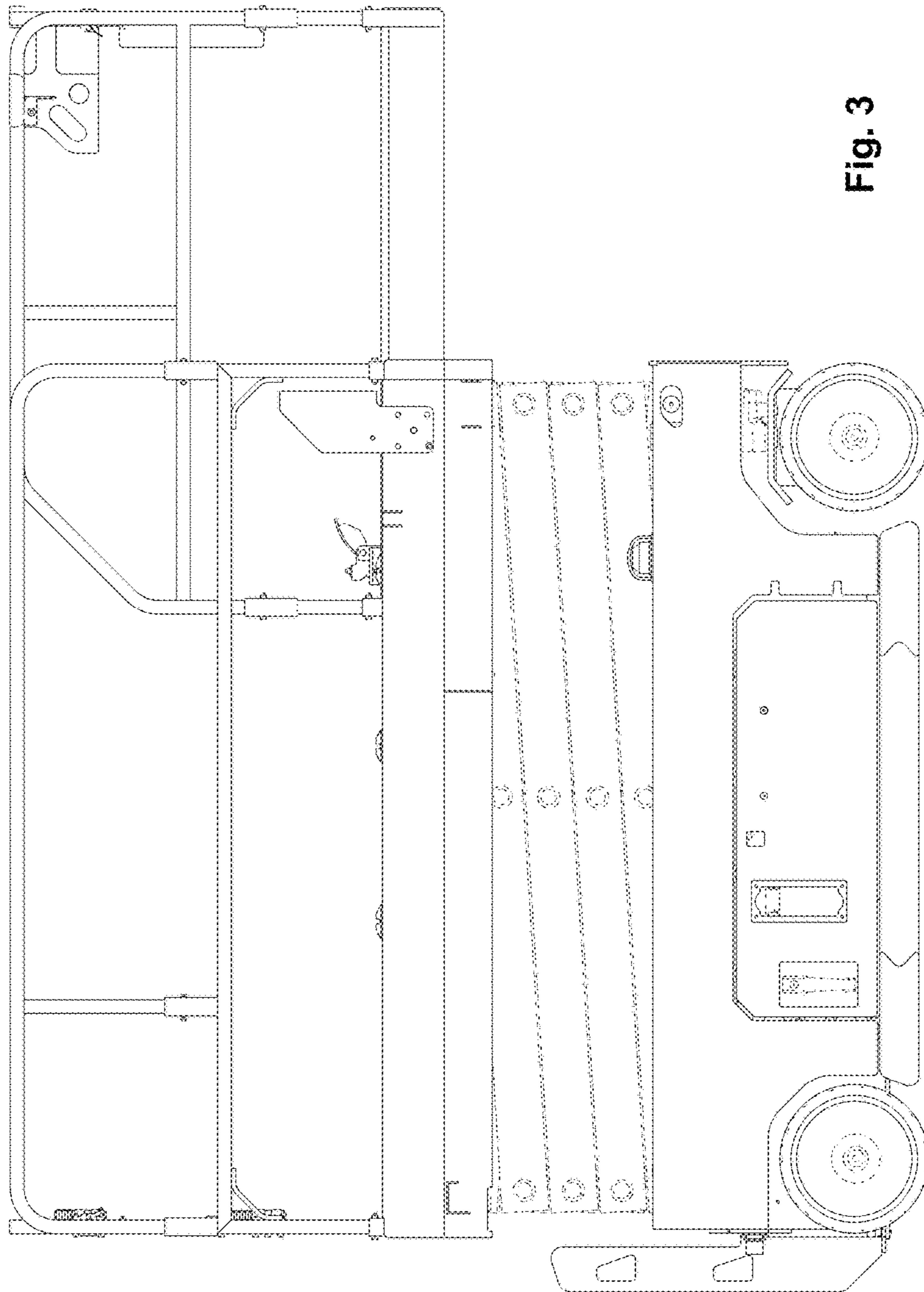


Fig. 3

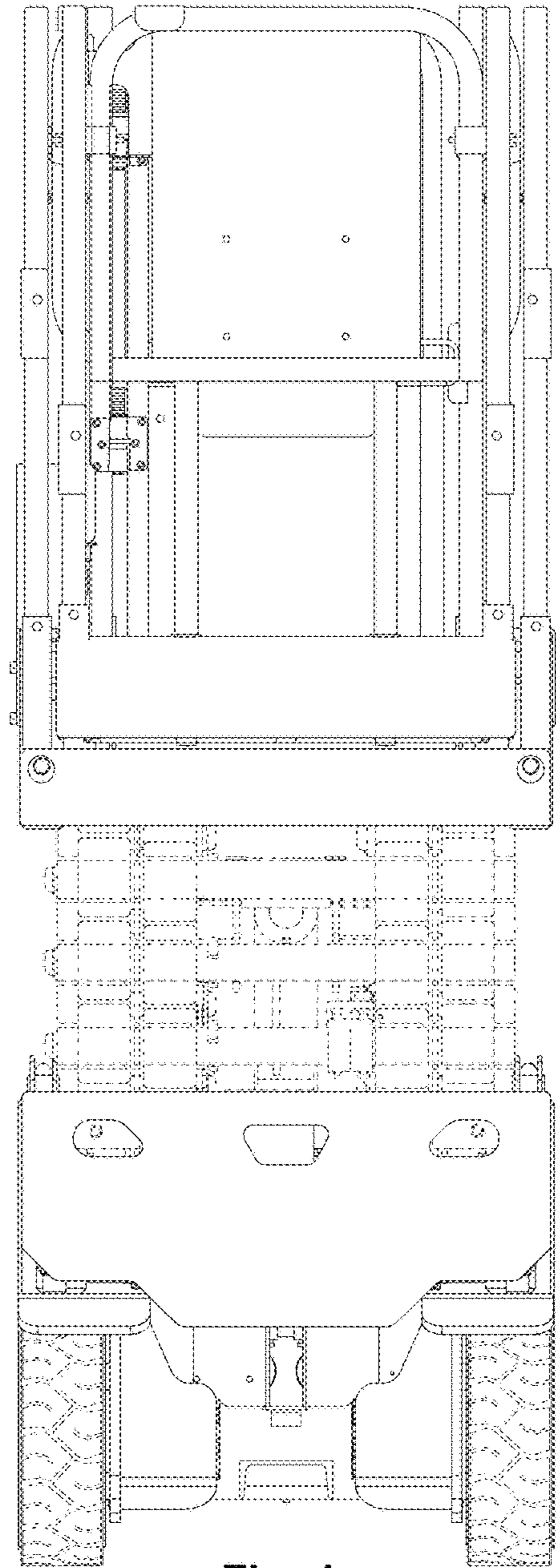


Fig. 4

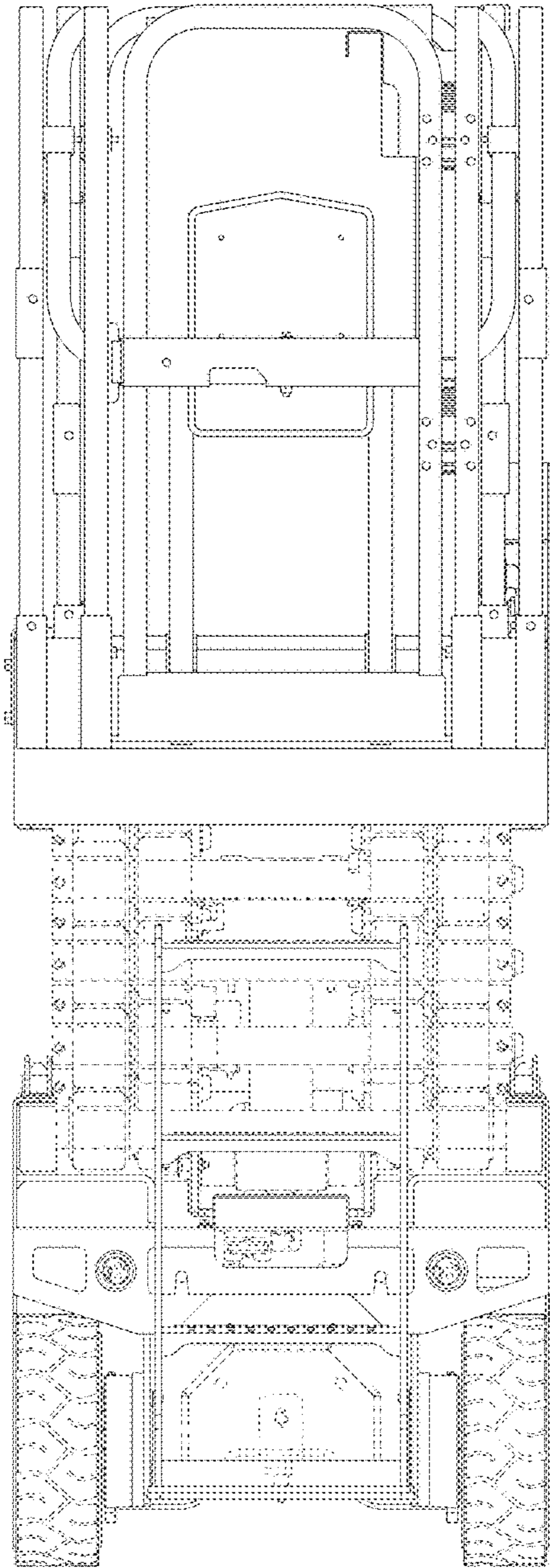


Fig. 5

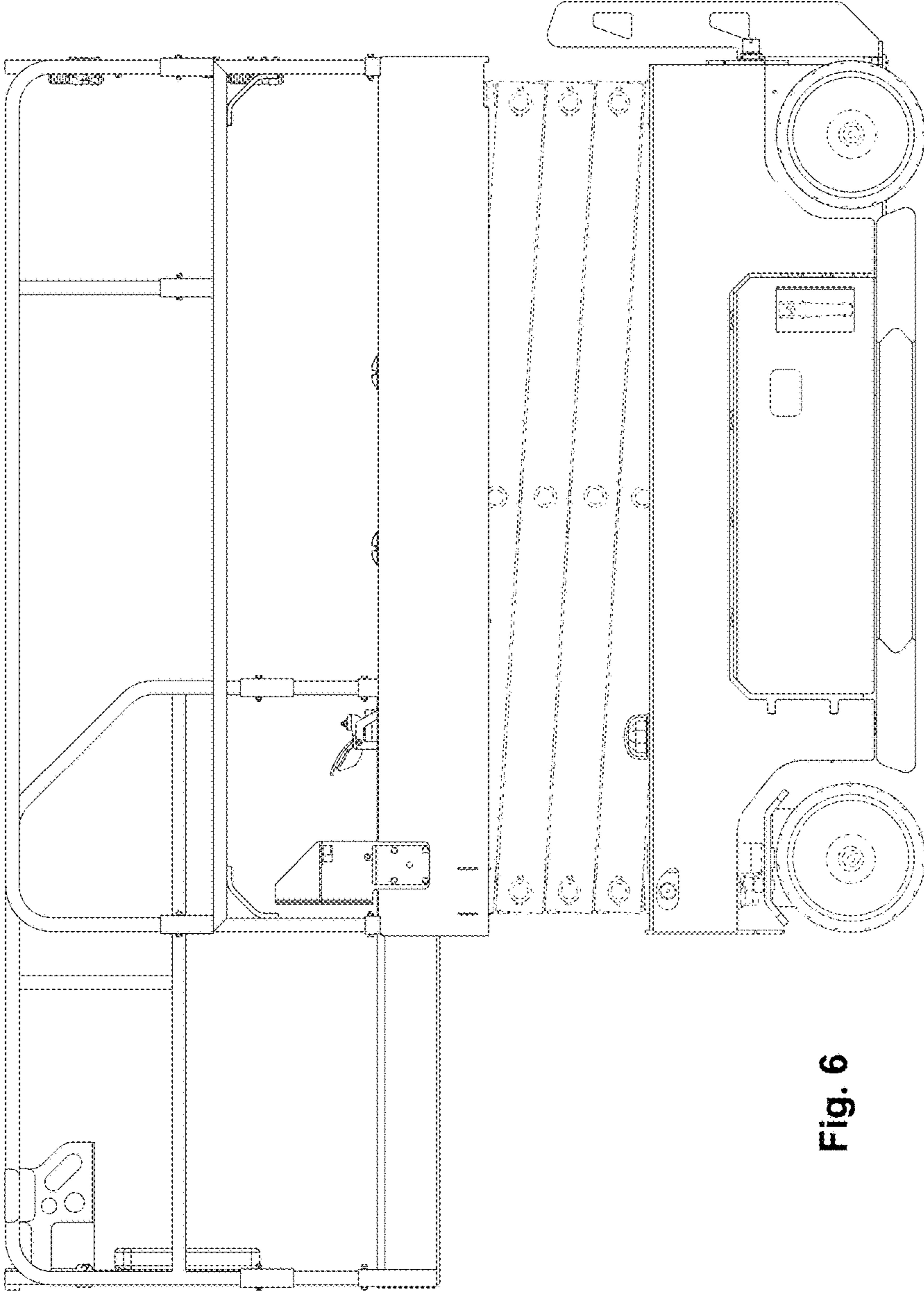


Fig. 6

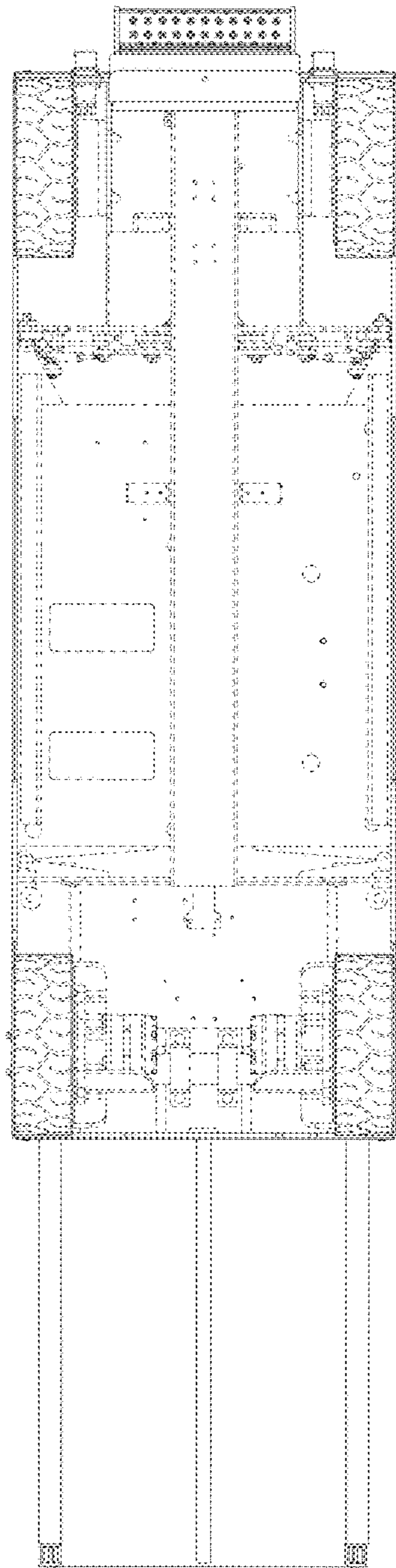


Fig. 7