



US00D859772S

(12) **United States Design Patent** (10) **Patent No.:** **US D859,772 S**  
**Walter et al.** (45) **Date of Patent:** **\*\* Sep. 10, 2019**

- (54) **CART**
- (71) Applicant: **AMSA, Inc.**, Boulder, CO (US)
- (72) Inventors: **Ivor Michel Walter**, Boulder, CO (US); **Paul Jensen**, Boulder, CO (US); **Siu Siu Ning**, Hong Kong (CN)
- (73) Assignee: **AMSA, Inc.**, Boulder, CO (US)
- (\*\*) Term: **15 Years**
- (21) Appl. No.: **29/607,431**
- (22) Filed: **Jun. 13, 2017**

**Related U.S. Application Data**

- (62) Division of application No. 29/481,004, filed on Jan. 31, 2014, now Pat. No. Des. 798,019.
- (51) **LOC (12) Cl.** ..... **12-02**
- (52) **U.S. Cl.**  
USPC ..... **D34/21**
- (58) **Field of Classification Search**  
USPC ..... D34/12-27; 280/33.991, 33.992, 33.993, 280/33.995, 33.996, 33.997, 47.35, 47.34, 280/79.3  
CPC .. B62B 3/027; B62B 3/1468; B62B 2501/067  
See application file for complete search history.

**References Cited**

**U.S. PATENT DOCUMENTS**

D615,723 S *	5/2010	Walter	.....	D34/12
D793,644 S *	8/2017	Walter	.....	D34/17
D796,146 S *	8/2017	Walter	.....	D34/21
D798,018 S *	9/2017	Walter	.....	D34/17
D798,019 S *	9/2017	Walter	.....	D34/21
D798,520 S *	9/2017	Walter	.....	D34/21

\* cited by examiner

*Primary Examiner* — Cynthia Ramirez  
*Assistant Examiner* — Gino Colan  
 (74) *Attorney, Agent, or Firm* — Polson Intellectual Property Law, PC; Margaret Polson

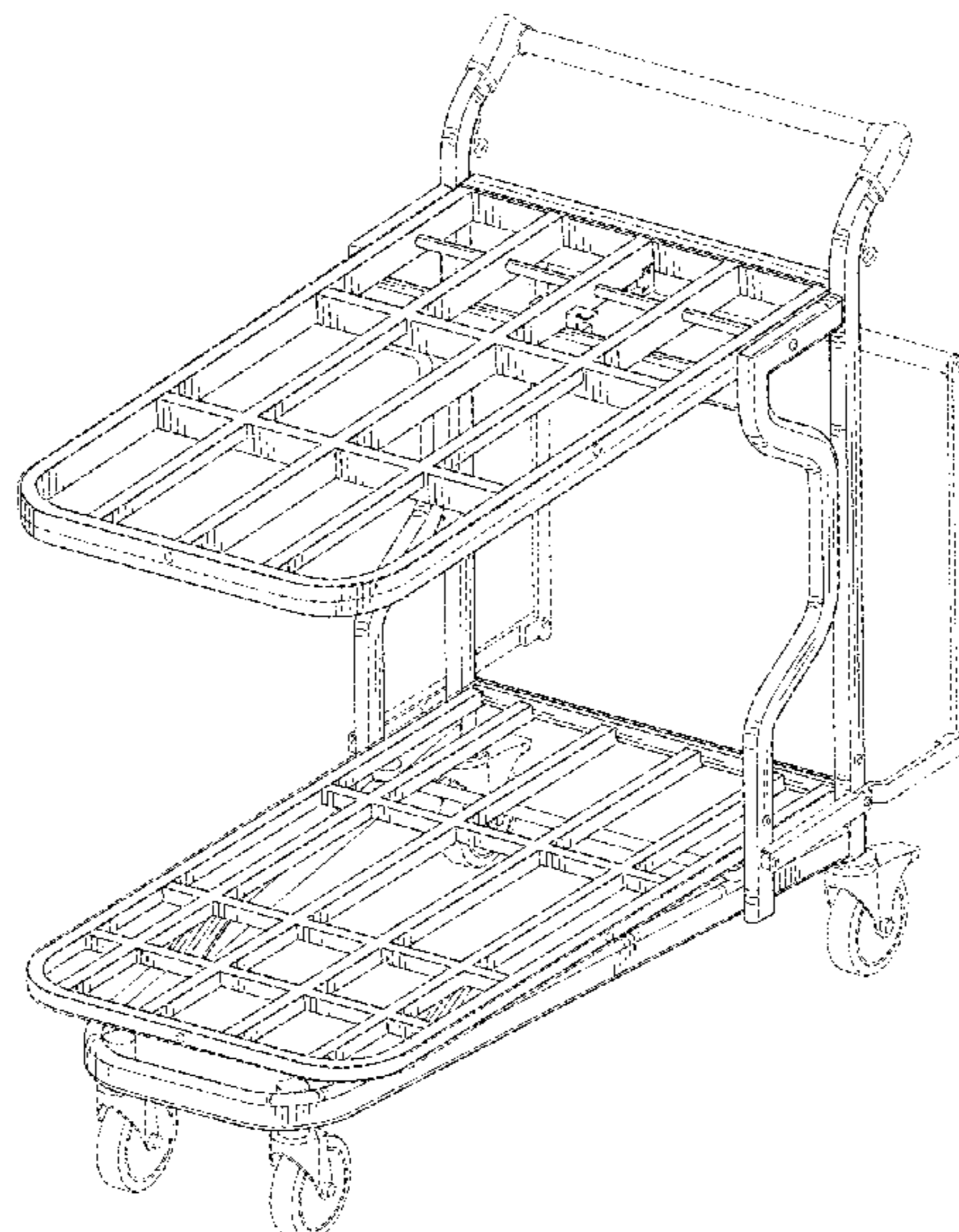
(57) **CLAIM**

The ornamental design for a cart, as shown and described.

**DESCRIPTION**

FIG. 1 is a front perspective view of a cart showing our new design, with the cover trays removed.  
 FIG. 2 is a side elevation view of the right and left sides, which are mirror images, of FIG. 1.  
 FIG. 3 is a front side elevation view of FIG. 1.  
 FIG. 4 is a back side elevation view of FIG. 1.  
 FIG. 5 is a top plan view of FIG. 1.  
 FIG. 6 is a bottom plan view of FIG. 1.  
 FIG. 7 is a side elevation view of the right and left sides, which are mirror images, of the embodiment of FIG. 1 with the only difference being the top shelf is in an upright position, the bottom cover being lifted to the nesting position and the storage rack in a stowed position, it being understood that all other surfaces are the same as the other views of this embodiment.  
 FIG. 8 is a front perspective view of the embodiment of FIG. 1 with the only difference being cover trays are place, it being understood that all other surfaces are the same as the other views of this embodiment.  
 FIG. 9 is a side elevation view of the right and left sides, which are mirror images, of FIG. 8.  
 FIG. 10 is a front side elevation view of FIG. 8.  
 FIG. 11 is a back side elevation view of FIG. 8.  
 FIG. 12 is a top plan view of FIG. 8; and,  
 FIG. 13. is a bottom plan view of FIG. 8.  
 The features shown in broken lines in the drawing depict environmental subject matter only and form no part of the claimed design.

**1 Claim, 11 Drawing Sheets**



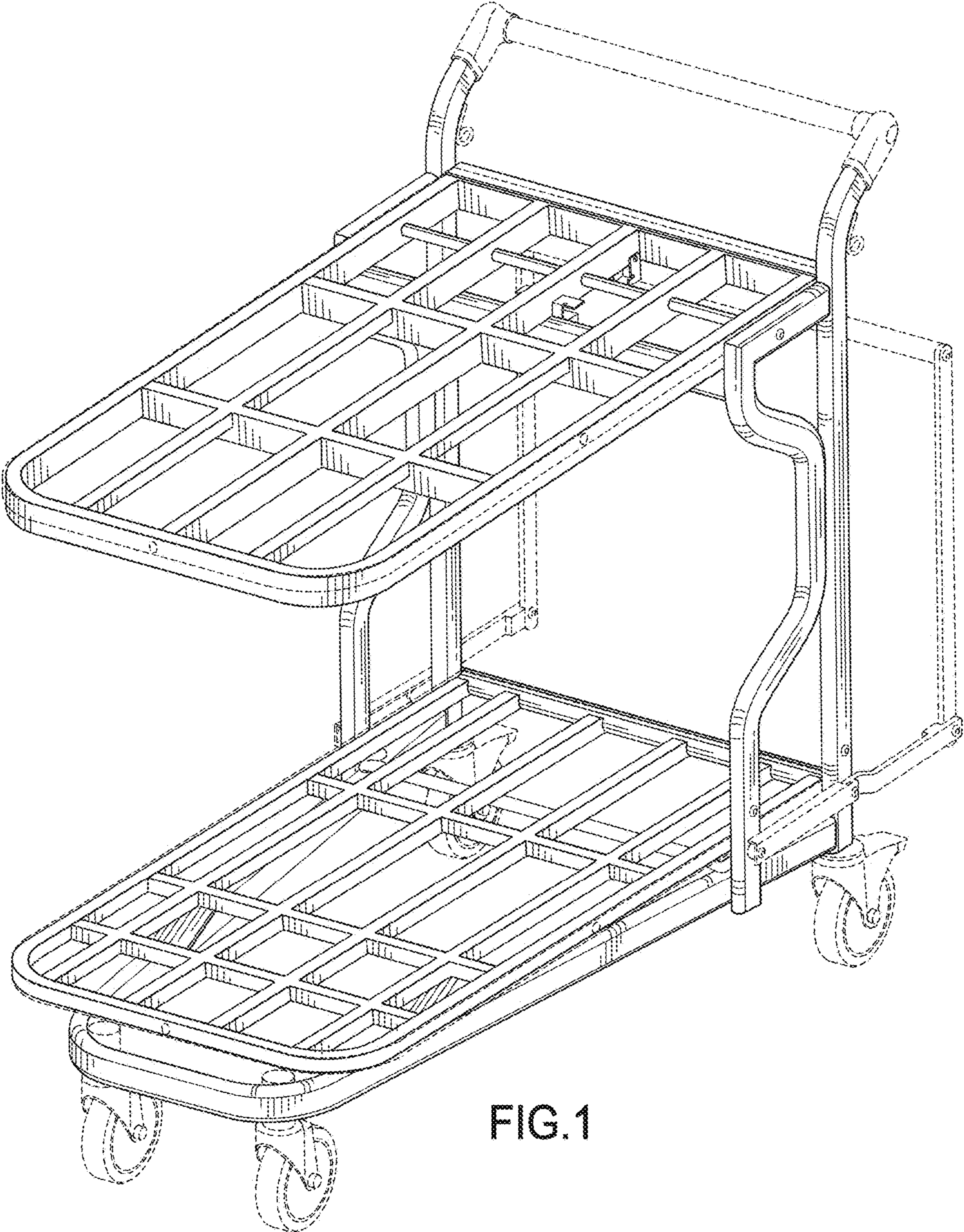


FIG.1

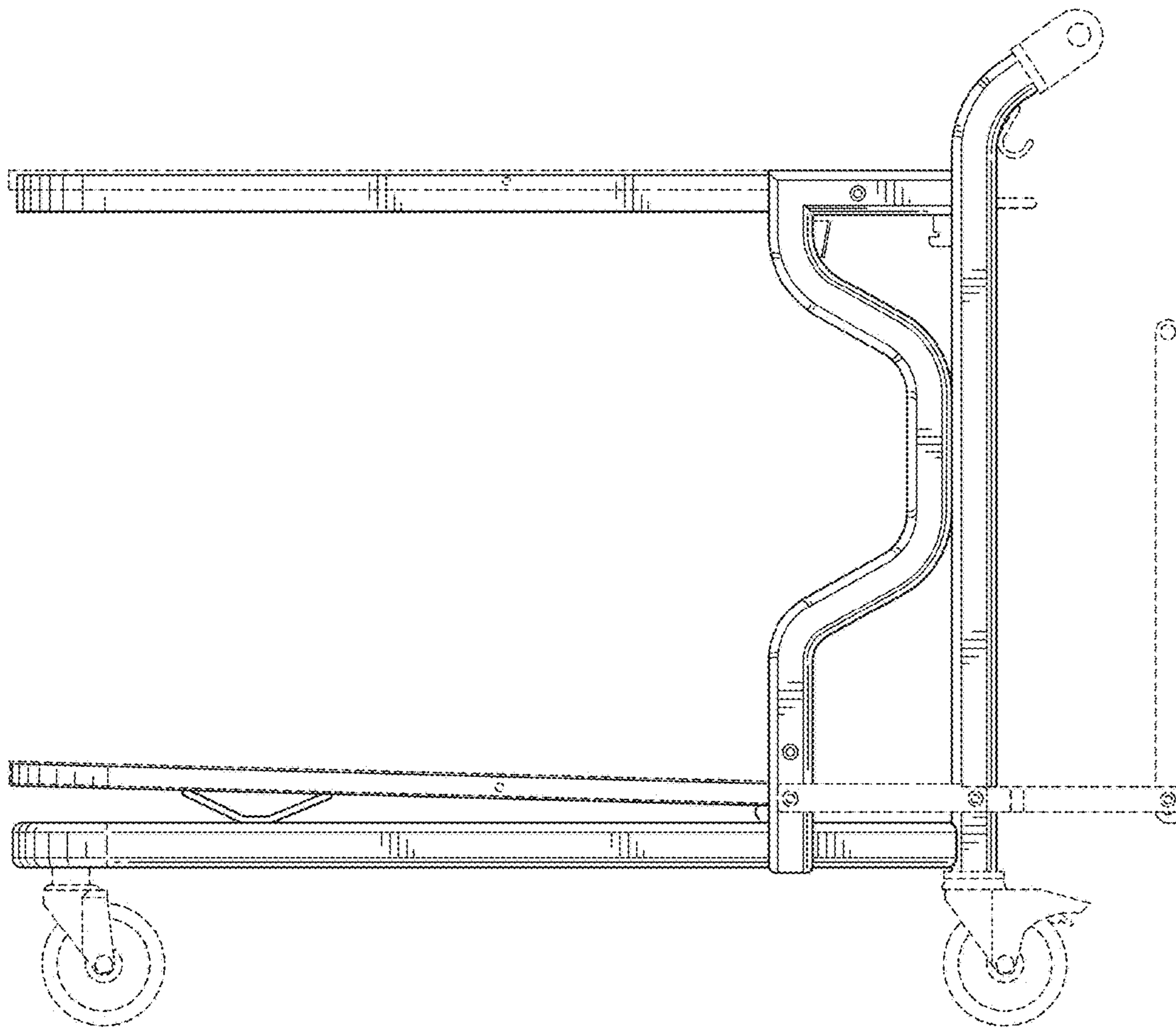


FIG.2

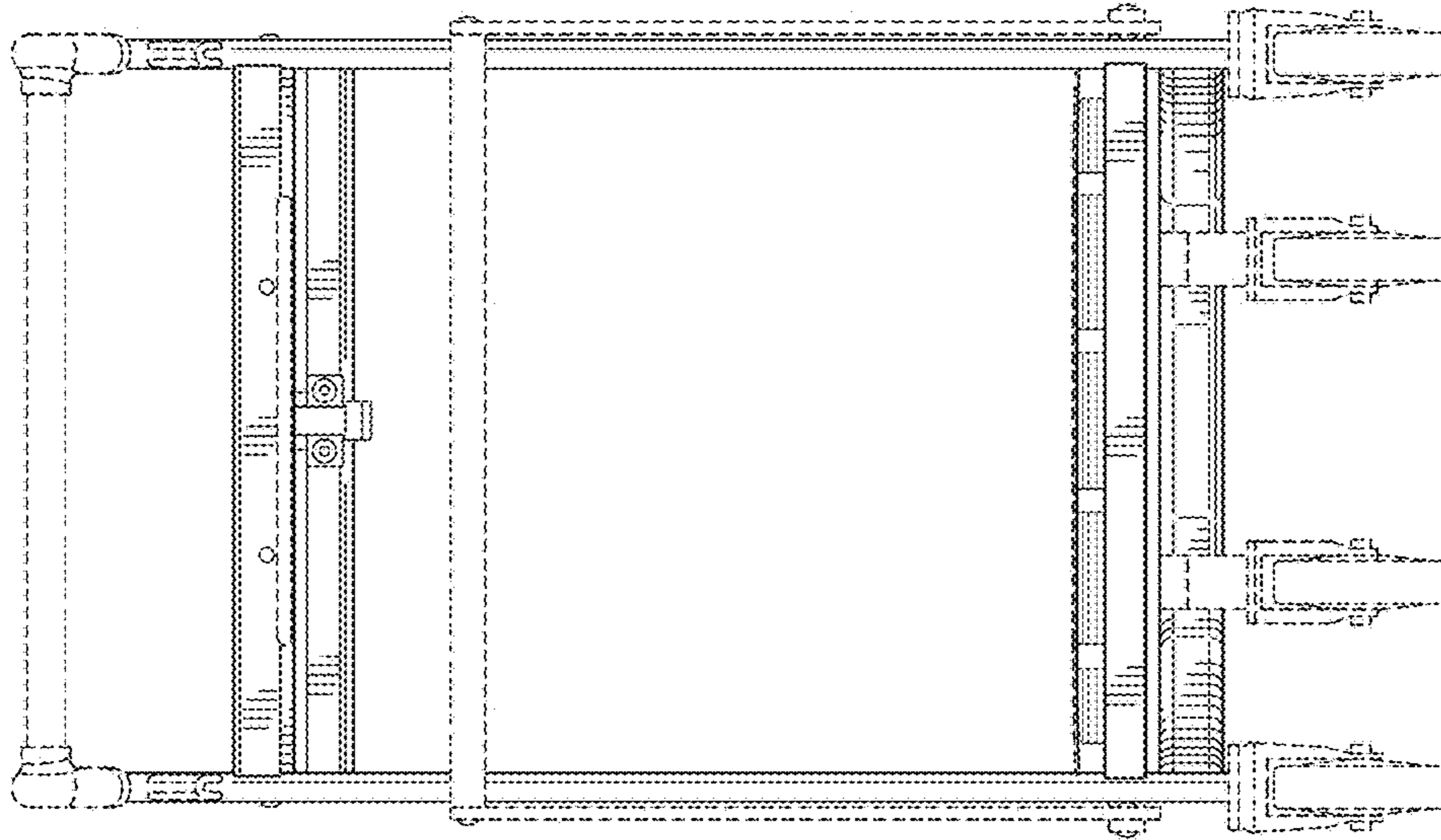


FIG. 4

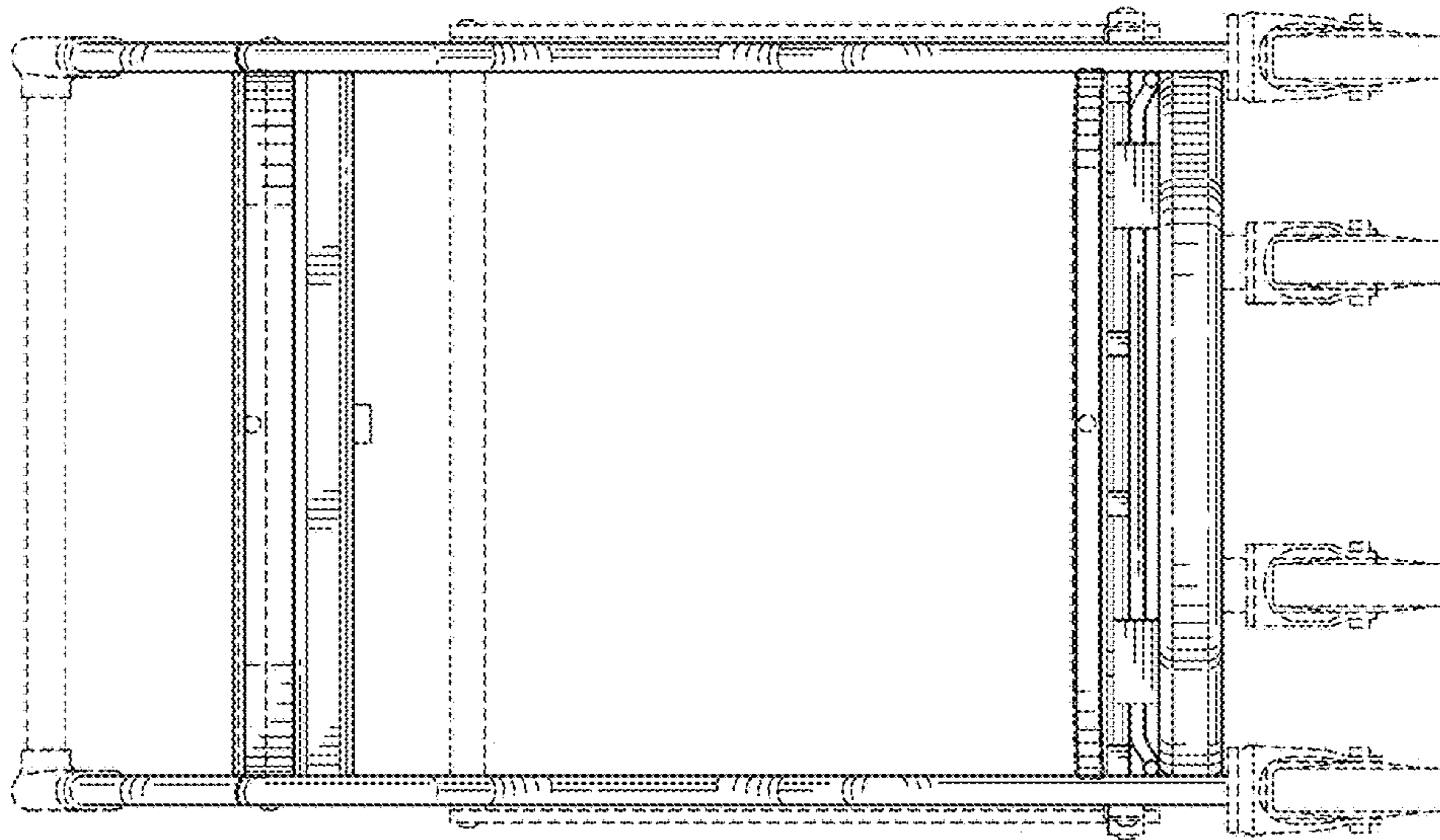


FIG. 3

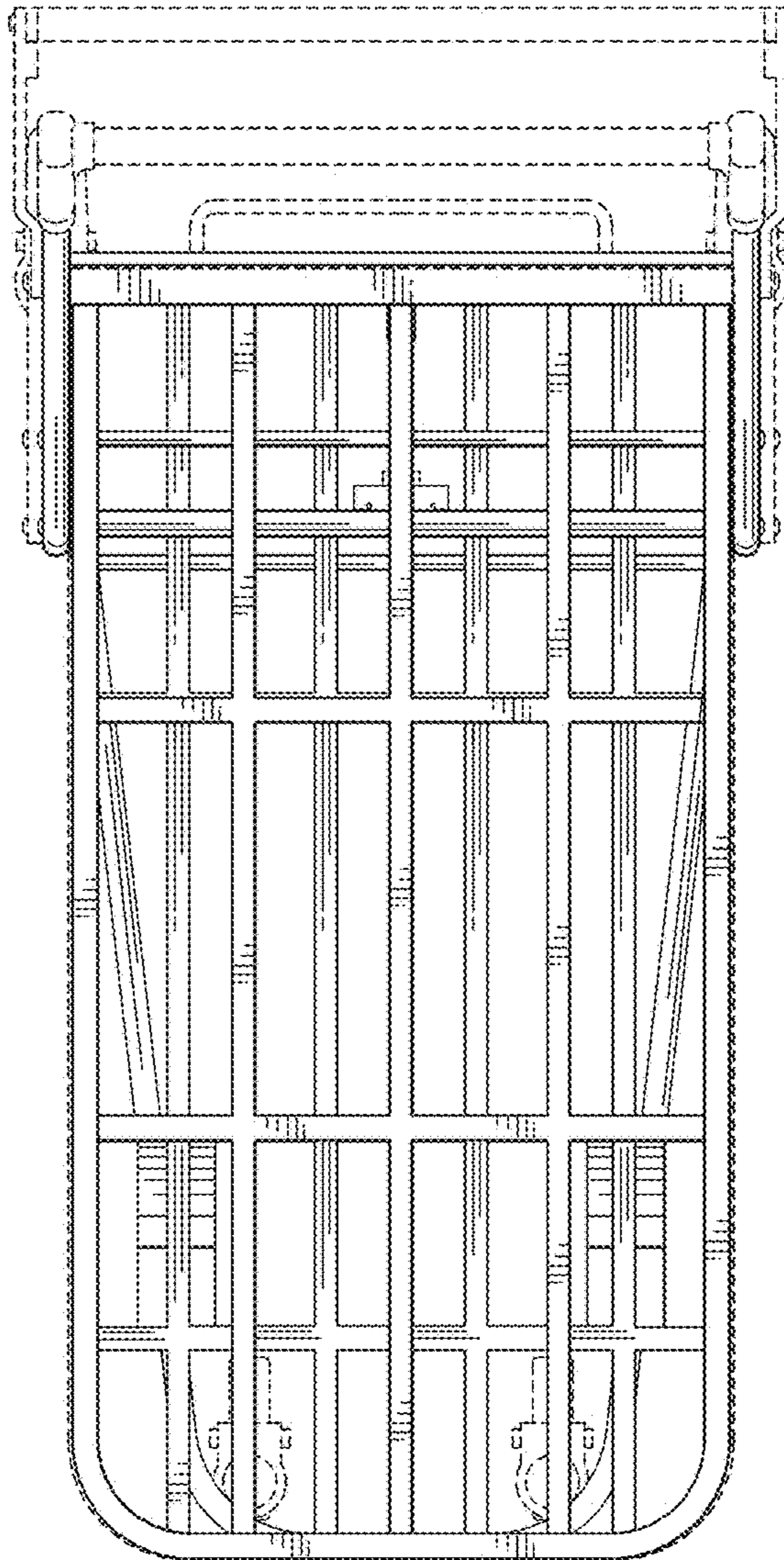


FIG.5

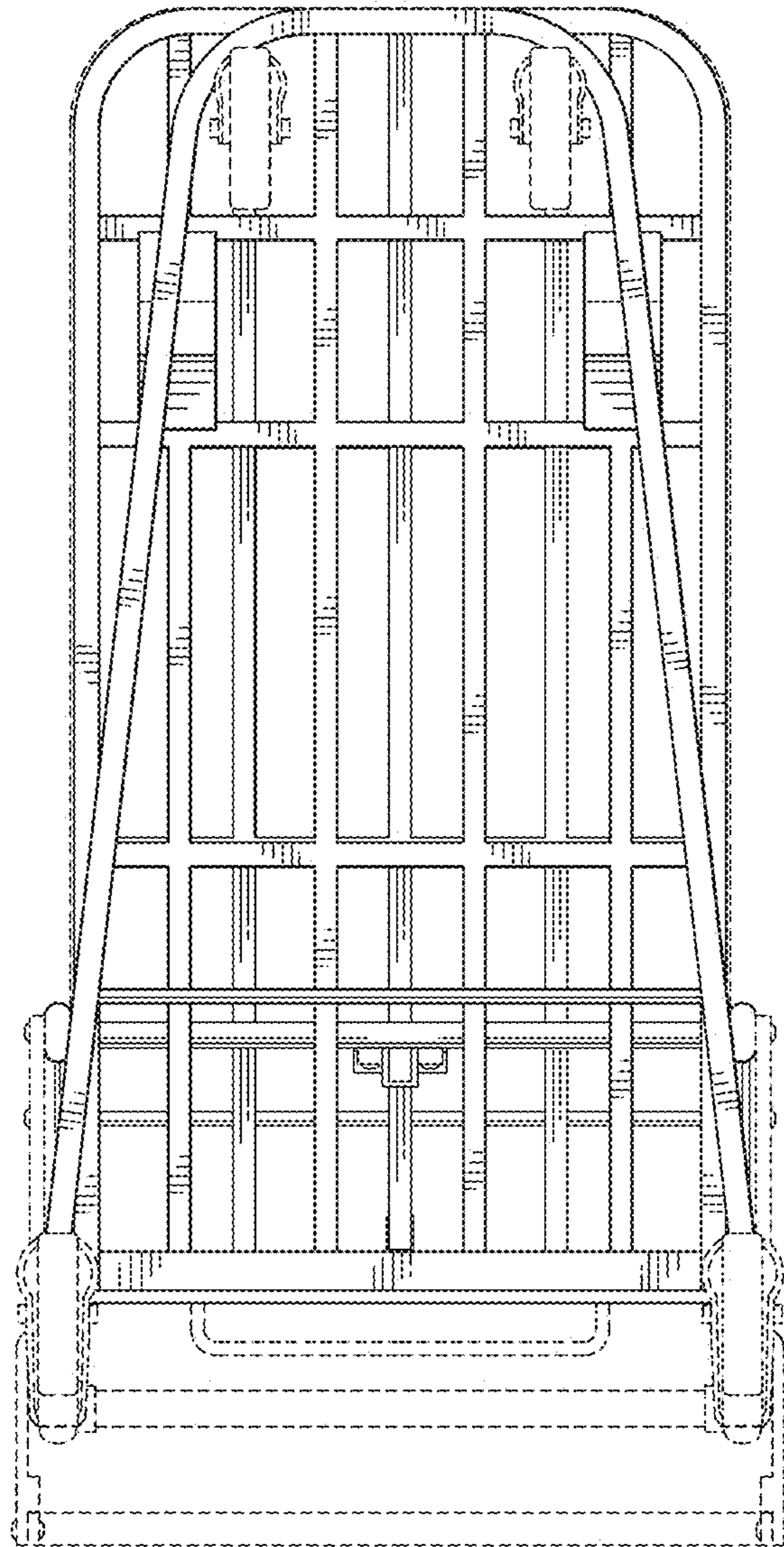


FIG.6

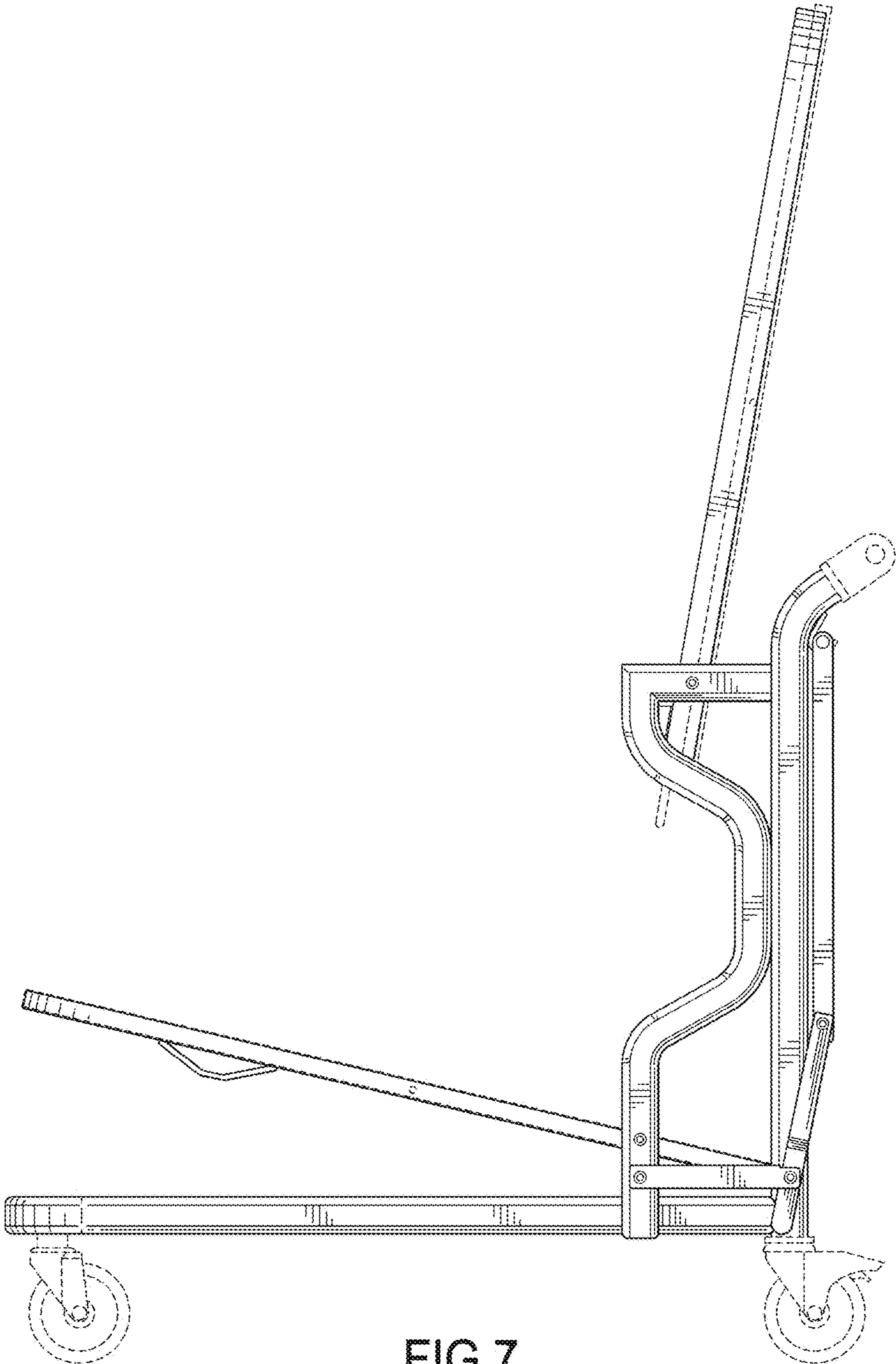


FIG.7

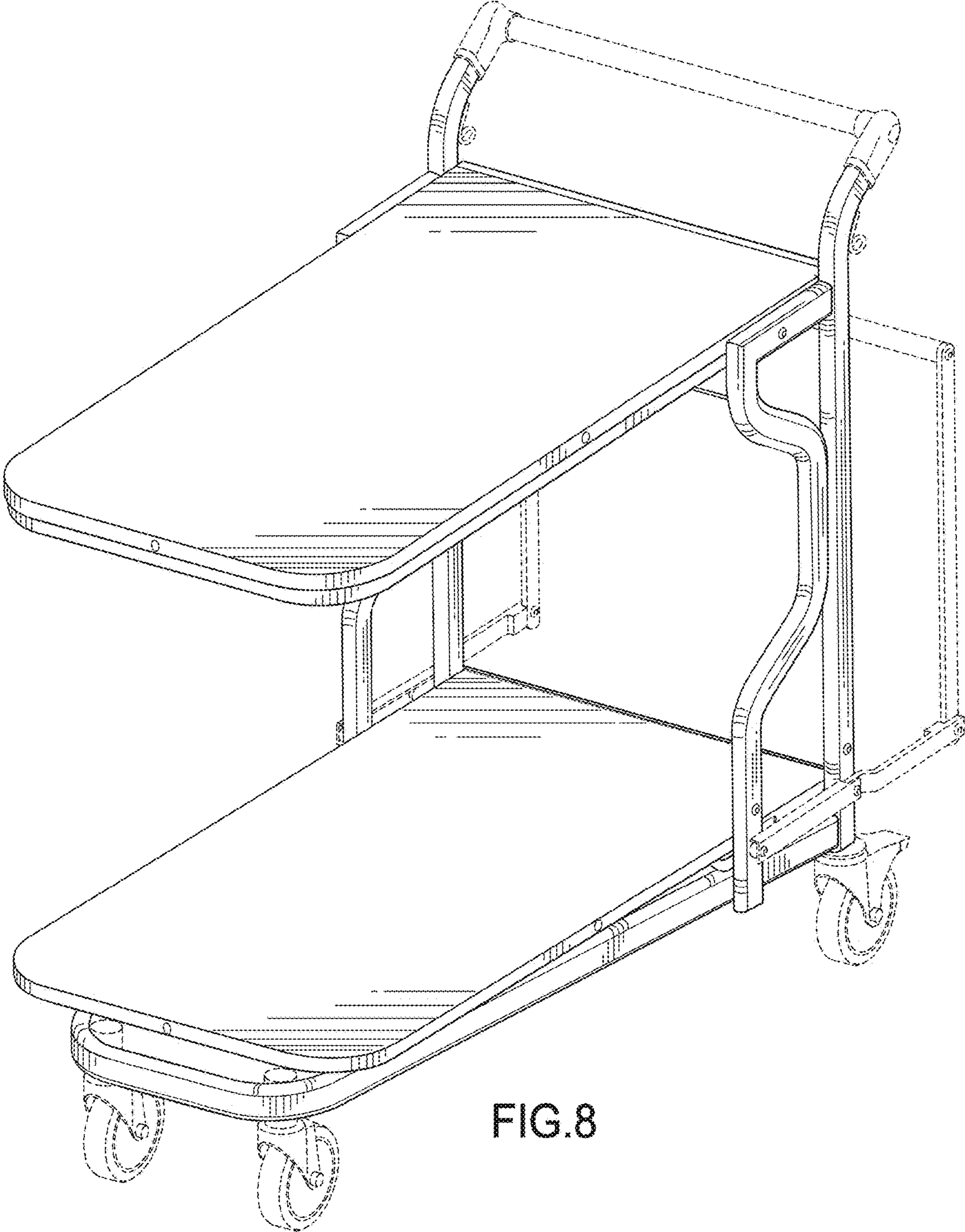


FIG.8



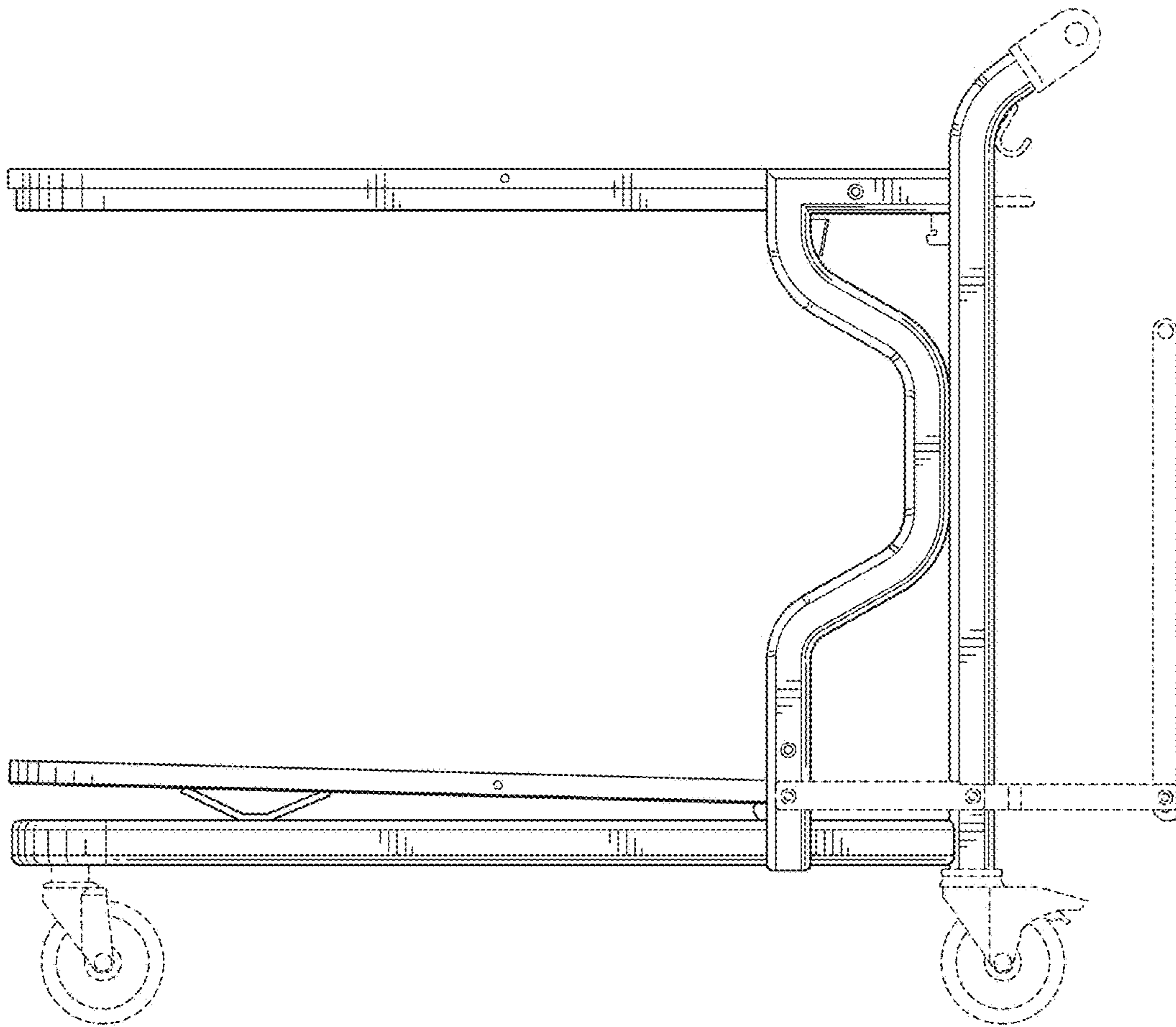


FIG.9

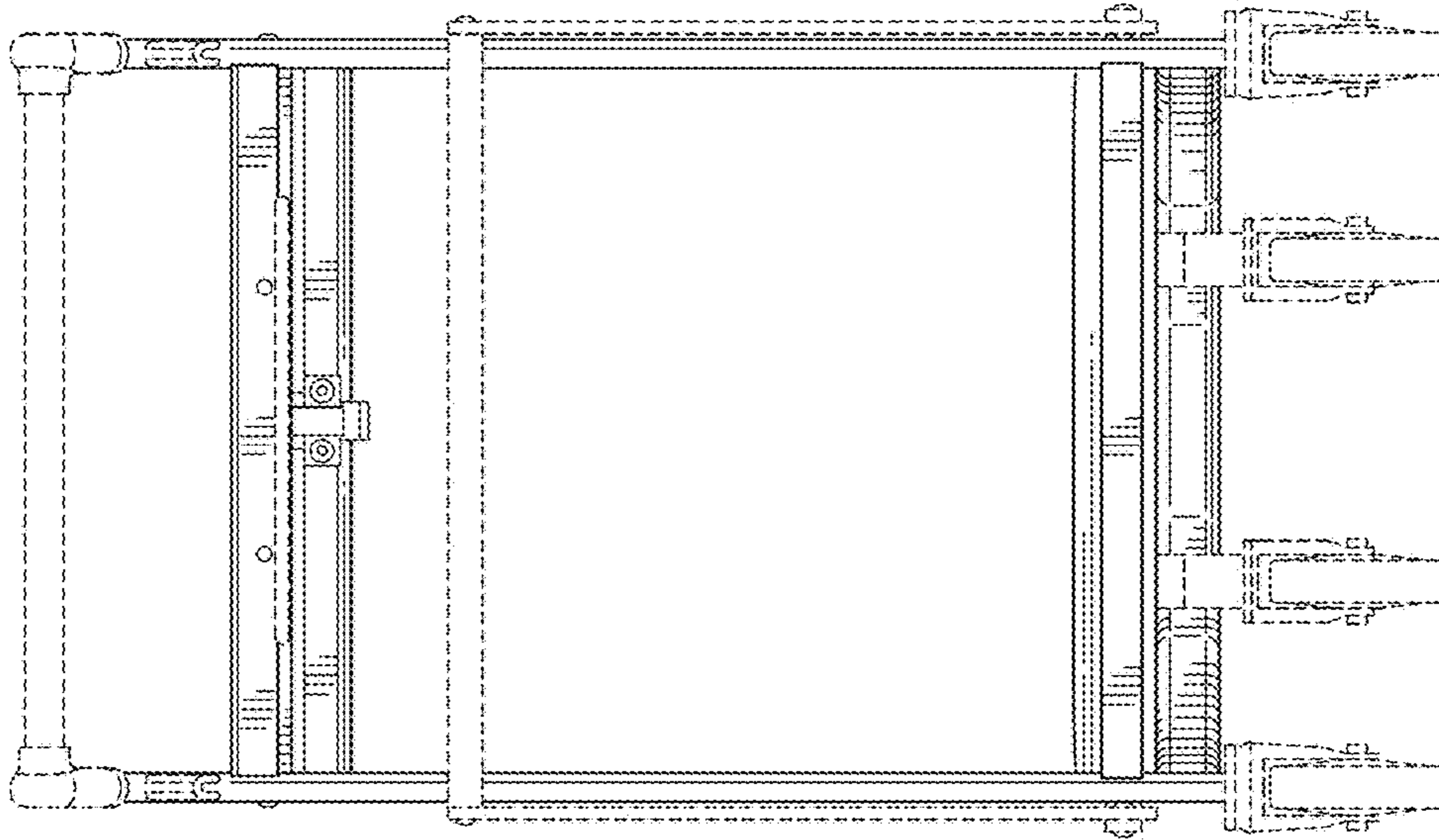


FIG.11

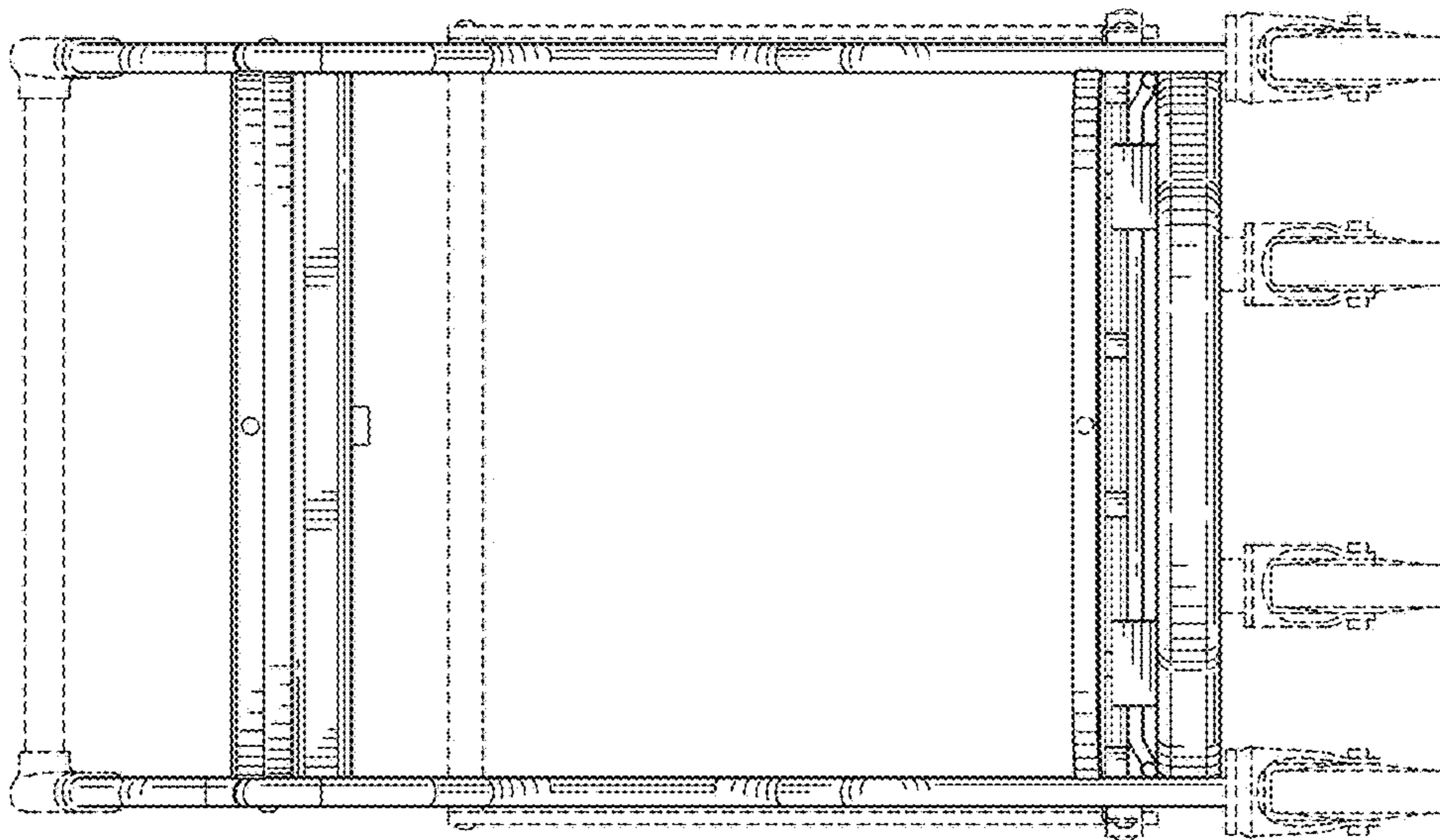


FIG.10

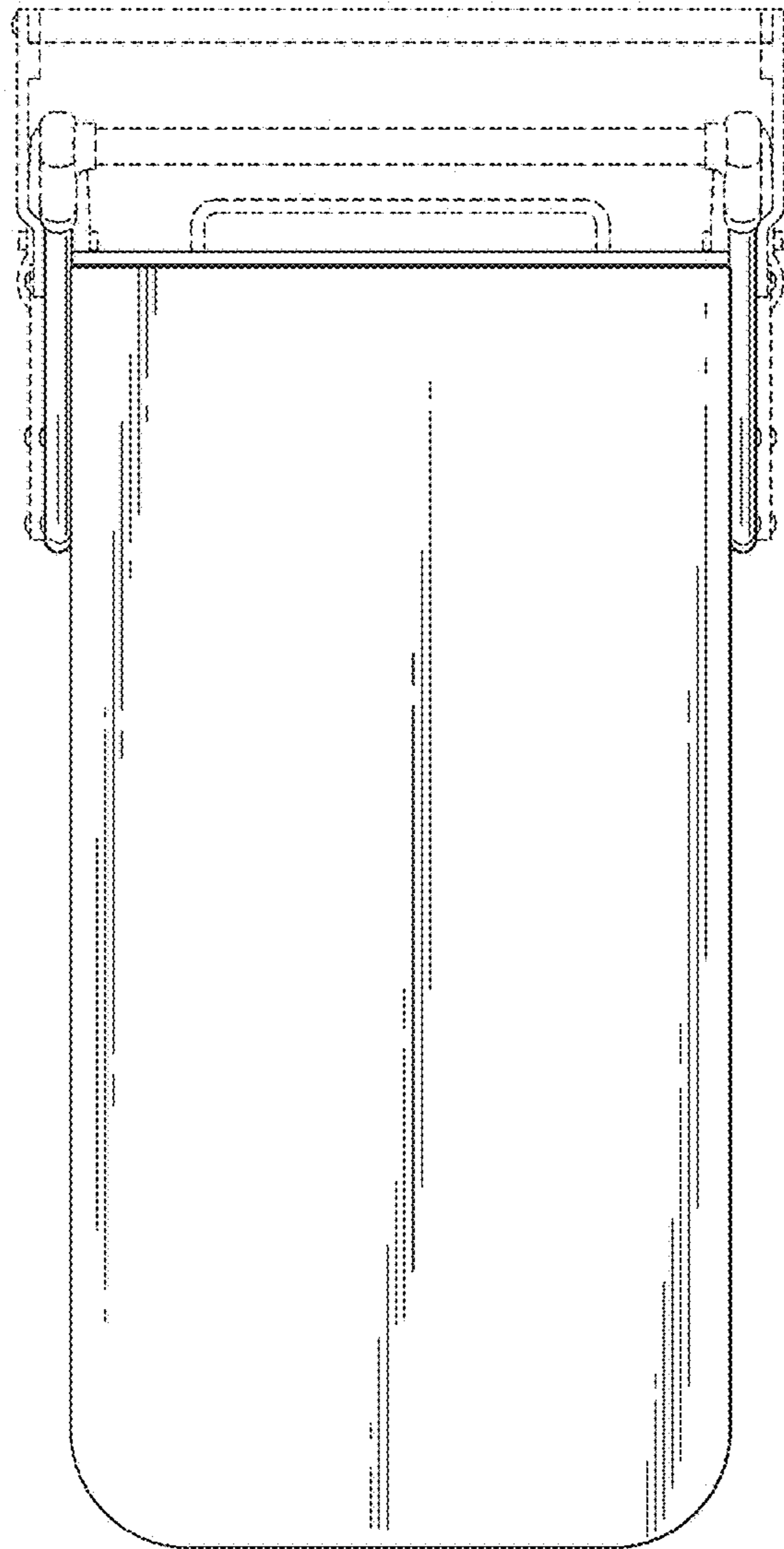


FIG.12

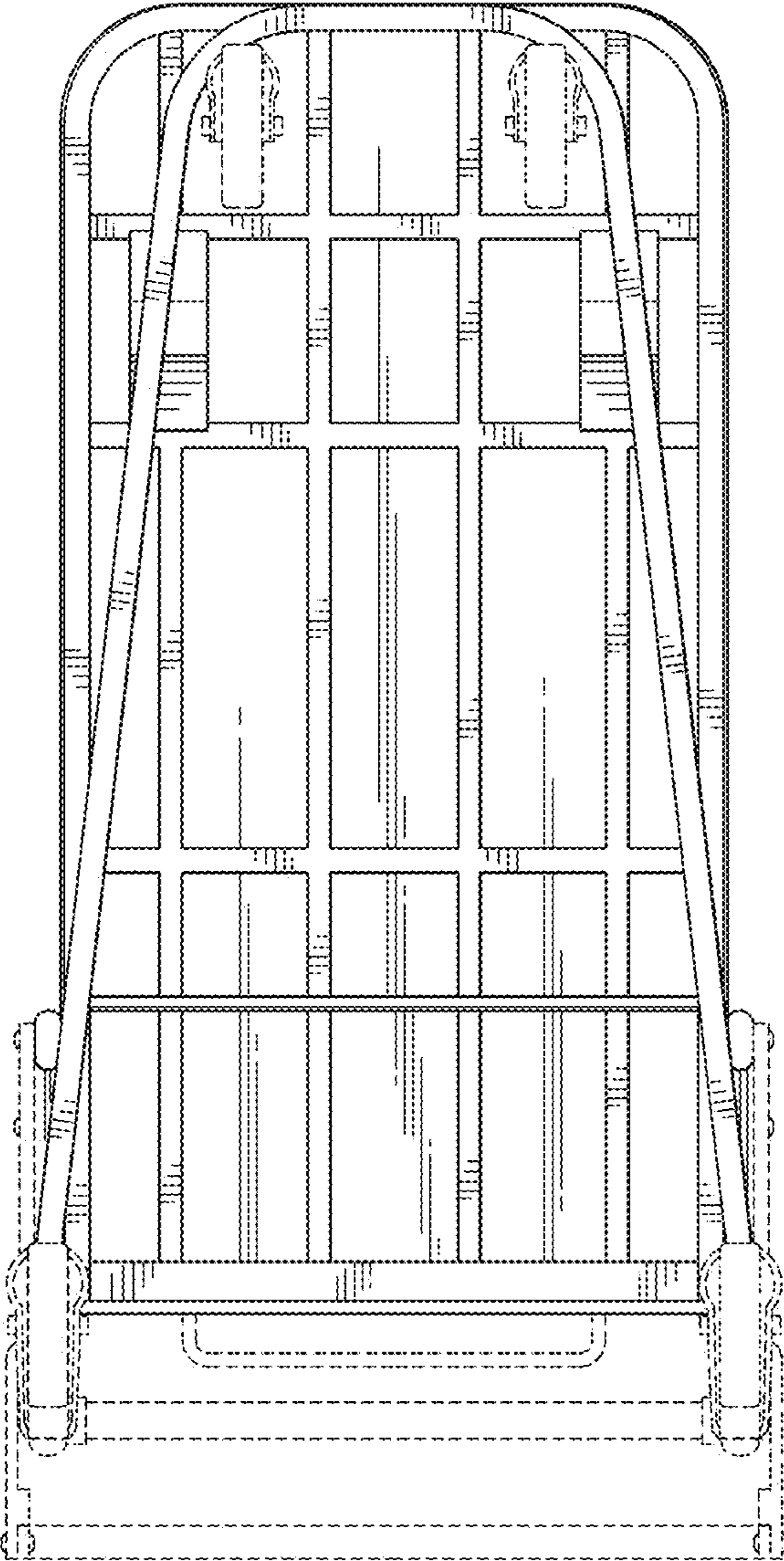


FIG.13