



US00D859771S

(12) **United States Design Patent**
Vostal et al.

(10) **Patent No.:** **US D859,771 S**
(45) **Date of Patent:** **** Sep. 10, 2019**

- (54) **ROLLING CART**
- (71) Applicant: **3M INNOVATIVE PROPERTIES COMPANY**, St. Paul, MN (US)
- (72) Inventors: **Michael J. Vostal**, Minneapolis, MN (US); **Christopher J. Claypool**, Woodbury, MN (US); **Jared J. Balthazor**, Linwood Township, MN (US)
- (73) Assignee: **3M Innovative Properties Company**, Saint Paul, MN (US)
- (**) Term: **15 Years**
- (21) Appl. No.: **29/639,578**
- (22) Filed: **Mar. 7, 2018**
- (51) **LOC (12) Cl.** **12-02**
- (52) **U.S. Cl.**
USPC **D34/20**
- (58) **Field of Classification Search**
USPC 180/20; 280/33.991, 33.992, 33.995, 280/33.996, 33.997, 47.35, 79.2, 79.3, 280/647, 651; D12/129; D34/12, 14, 16, D34/17, 19, 20, 21, 23, 24, 25, 27
CPC A47B 97/00; A47B 2031/002
See application file for complete search history.

- 8,322,732 B2 * 12/2012 McKay A47B 77/08 280/47.34
- 8,454,036 B2 * 6/2013 Cowie B25H 3/02 280/79.3
- 8,459,664 B2 * 6/2013 Herlitz B62K 9/00 280/33.991
- 8,480,191 B1 * 7/2013 Fredricks A47B 83/001 280/47.35
- 8,708,352 B2 * 4/2014 Quirico A61M 5/007 280/79.5
- D739,537 S * 9/2015 Hacker D24/185
- 2004/0232637 A1 * 11/2004 Butler G06F 17/243 280/47.26
- 2010/0312039 A1 * 12/2010 Quirico A61M 5/14 600/4

* cited by examiner

Primary Examiner — Cynthia Ramirez
Assistant Examiner — Michael A Maharajh
(74) *Attorney, Agent, or Firm* — 3M Innovative Properties Company; Jonathan V. Sry

(56) **References Cited**

U.S. PATENT DOCUMENTS

- D184,781 S * 3/1959 Todd 280/47.35
- D327,966 S * 7/1992 Hikawa D34/19
- D369,008 S * 4/1996 Campbell D34/19
- 5,542,635 A * 8/1996 Smith A47B 63/00 280/47.35
- 7,284,763 B1 * 10/2007 King A45C 13/02 280/47.35
- D610,323 S * 2/2010 Saladino D34/17

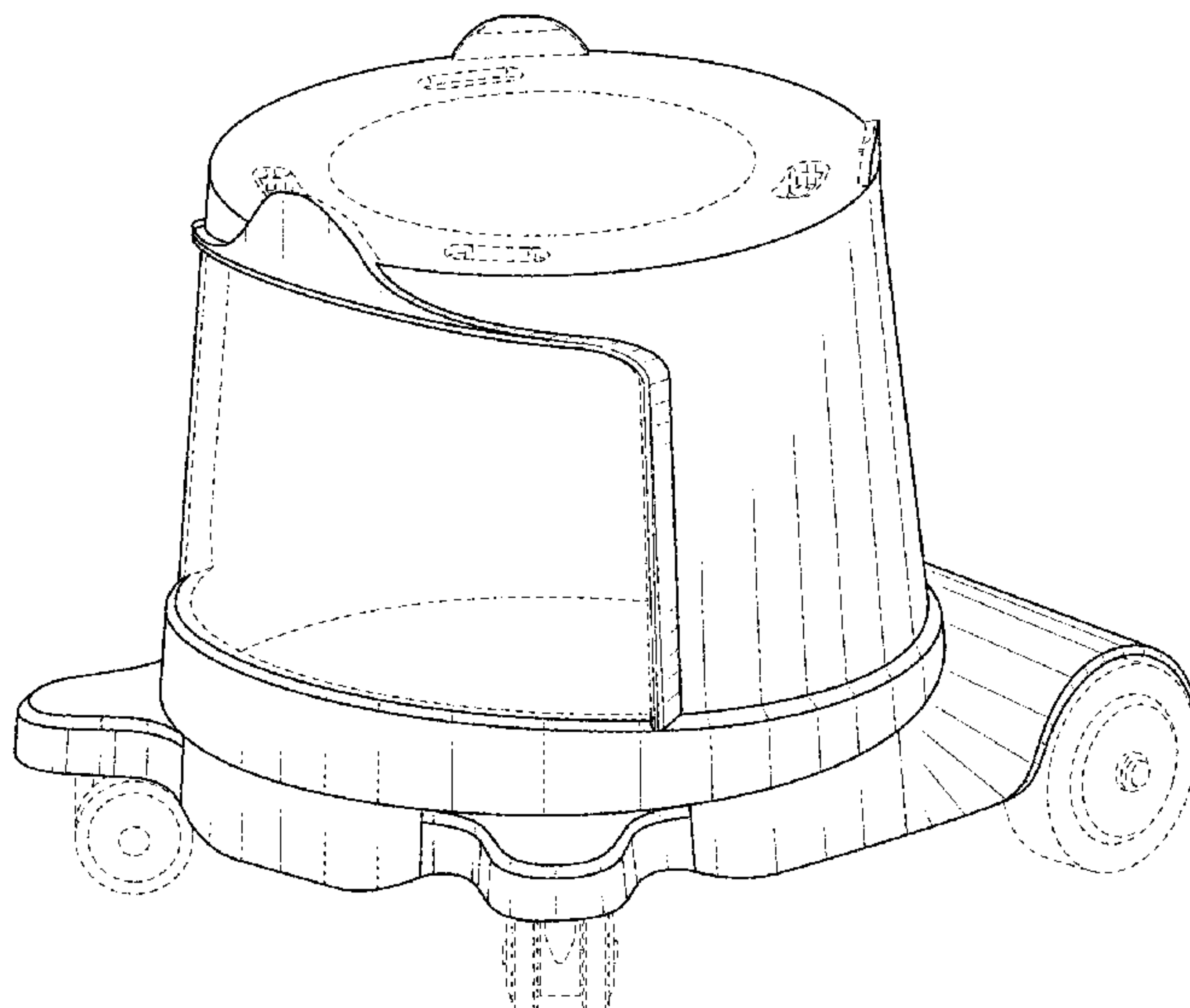
(57) **CLAIM**

The ornamental design for a rolling cart, as shown and described.

DESCRIPTION

FIG. 1 is a perspective view of a rolling cart showing our new design;
FIG. 2 is a front view thereof;
FIG. 3 is a back view thereof;
FIG. 4 is a left side view thereof;
FIG. 5 is a right side view thereof;
FIG. 6 is a top view thereof; and,
FIG. 7 is a bottom view thereof.
The broken lines shown in the figures are for the purpose of illustrating portions of the rolling cart, which form no part of the claimed design.

1 Claim, 7 Drawing Sheets



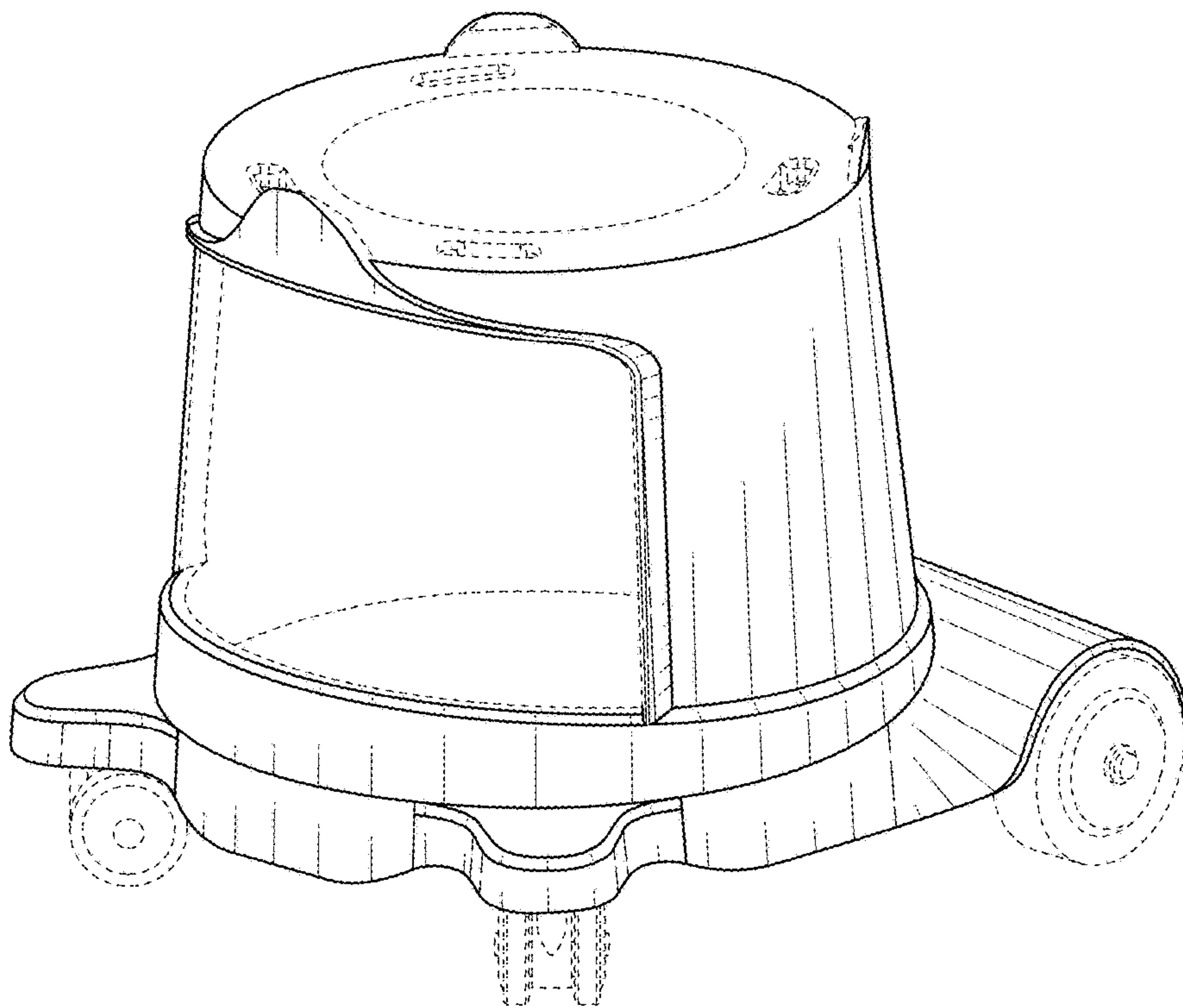


FIG. 1

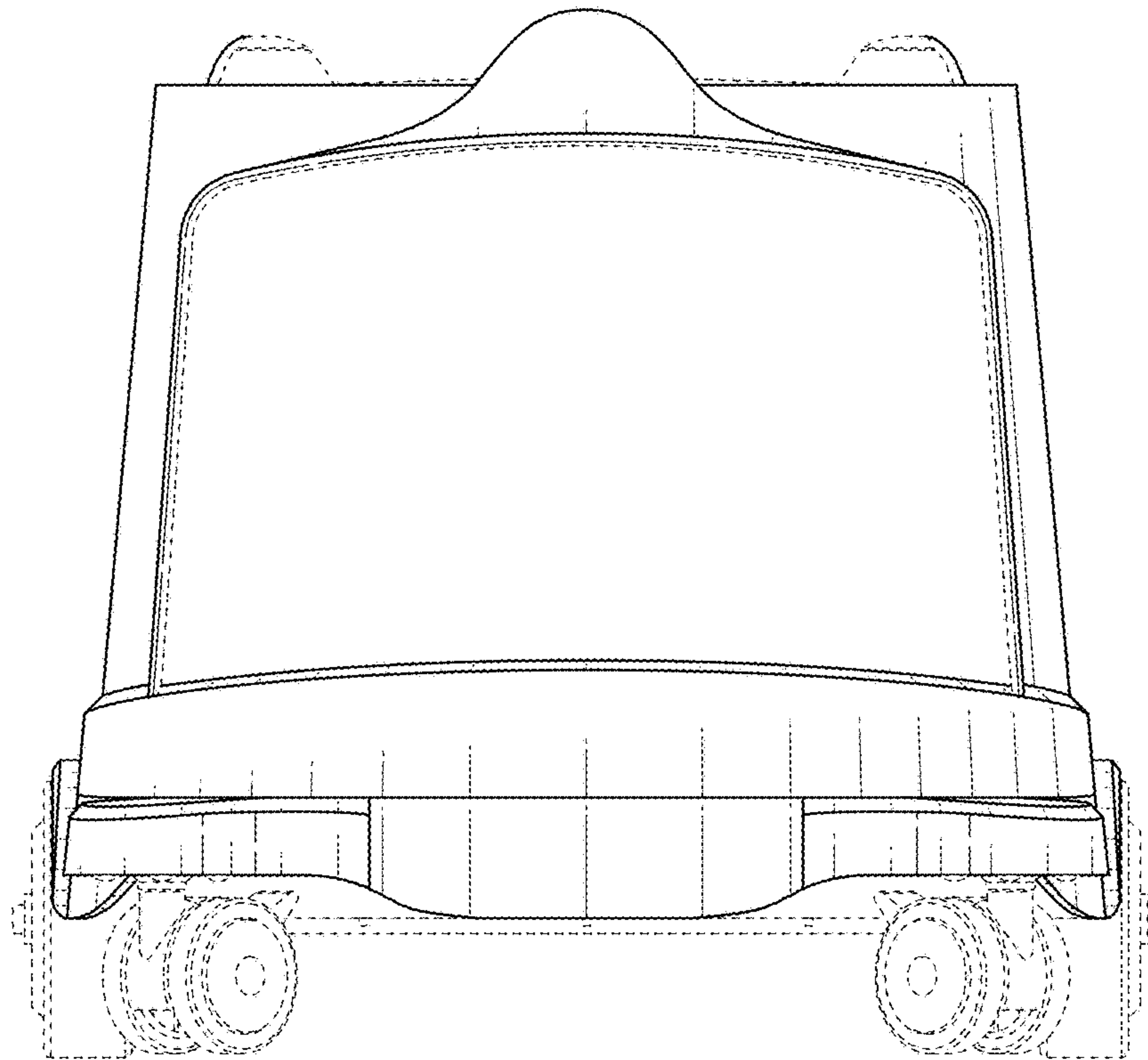


FIG. 2

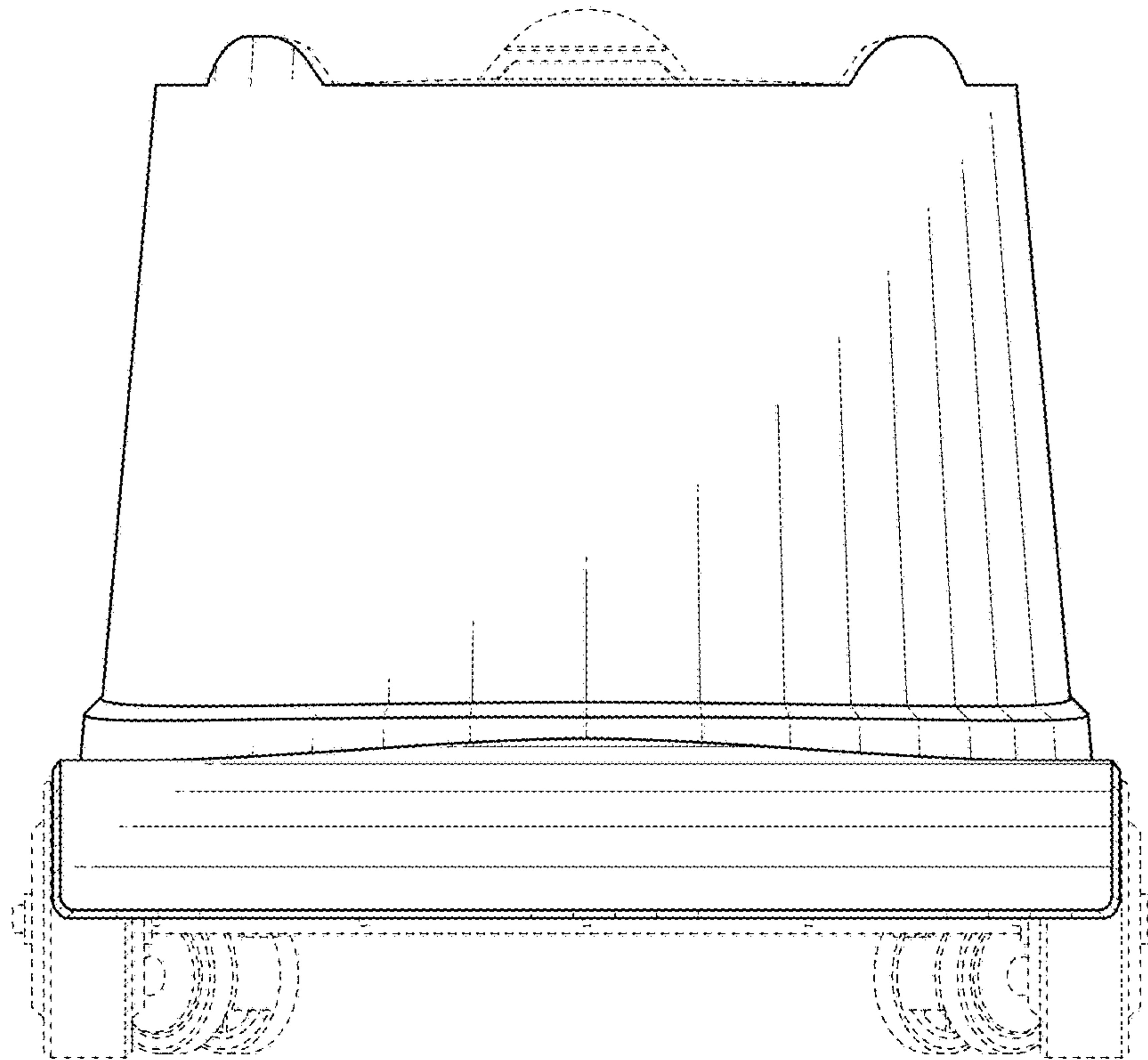


FIG. 3

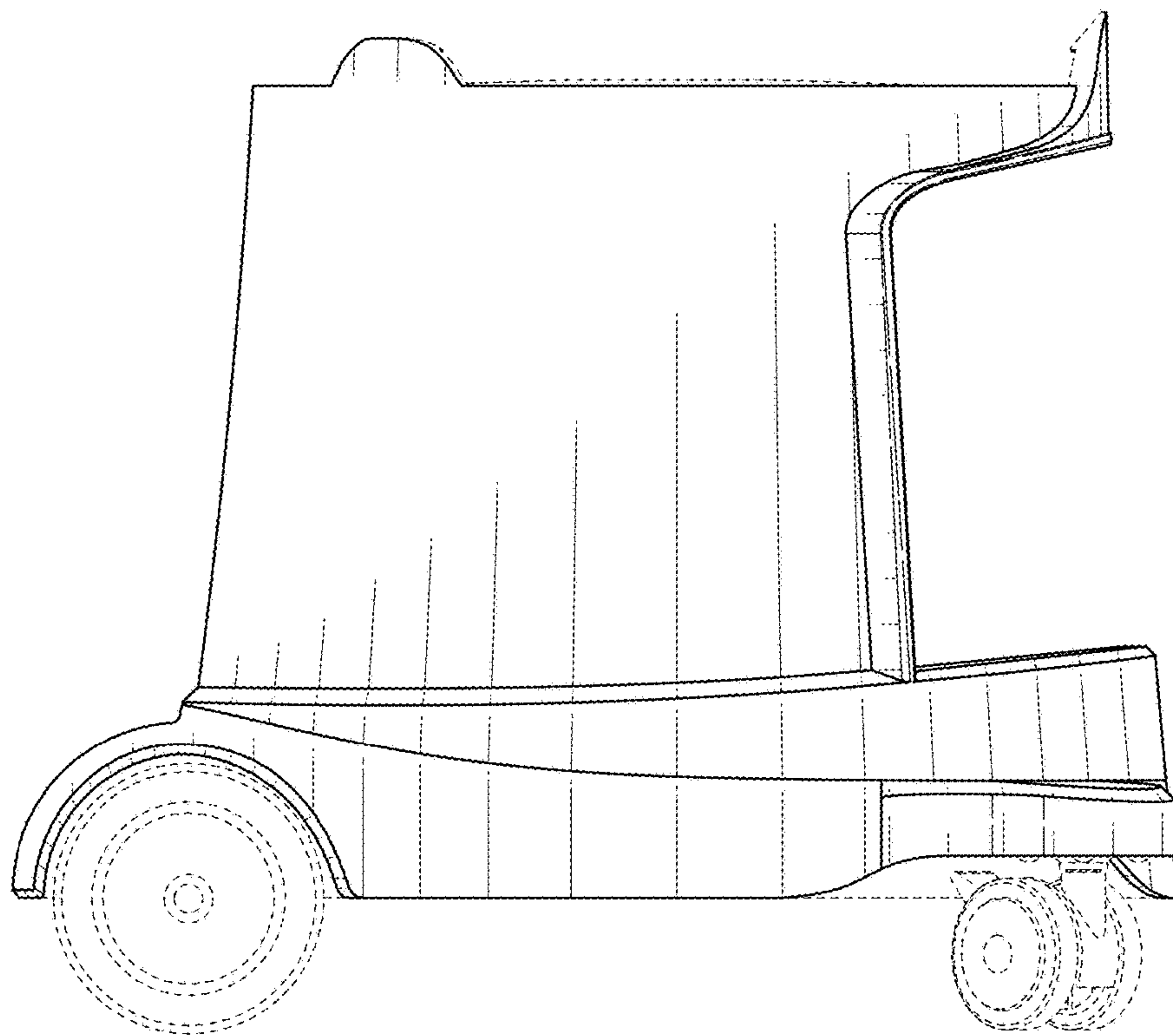


FIG. 4

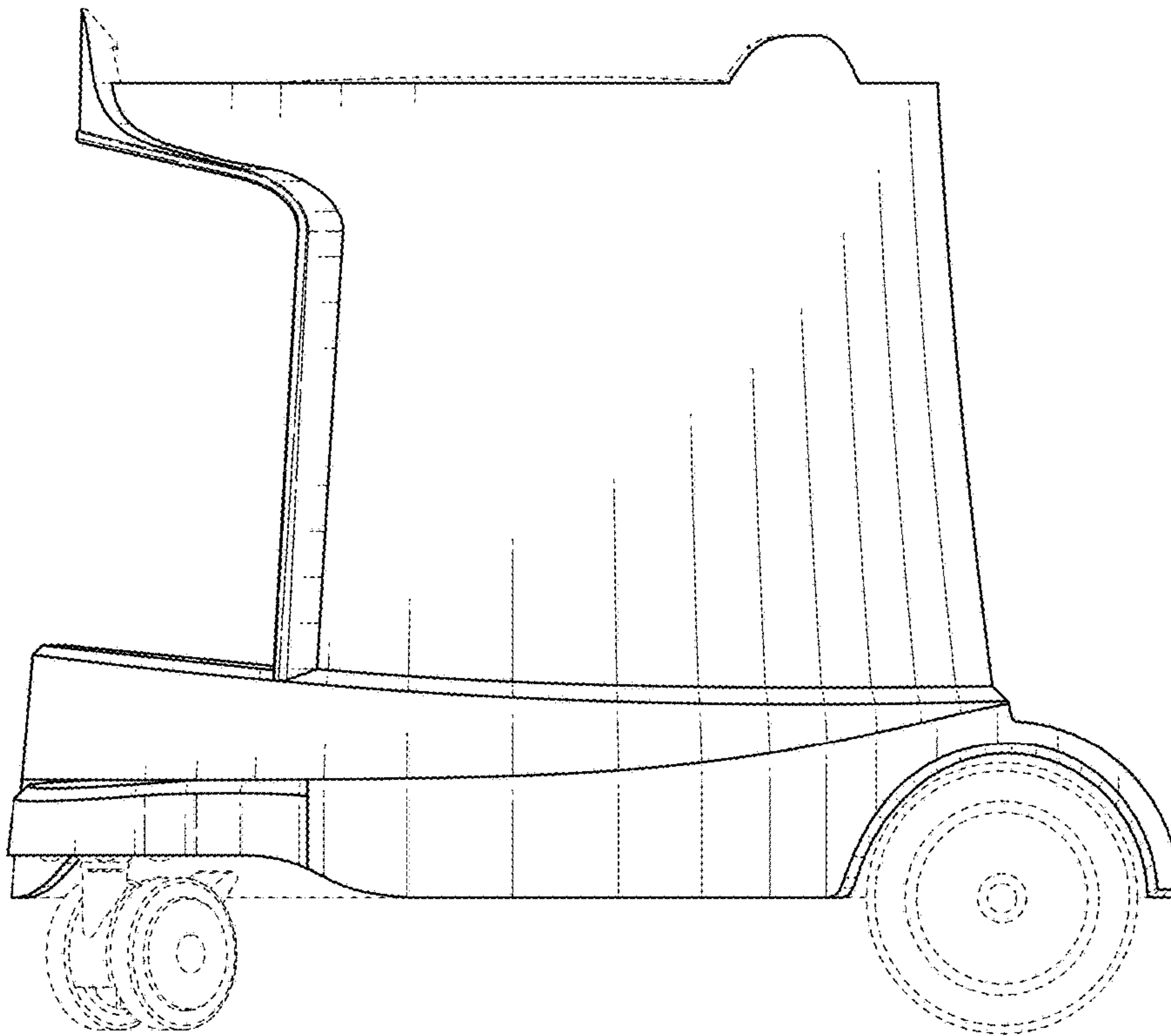


FIG. 5

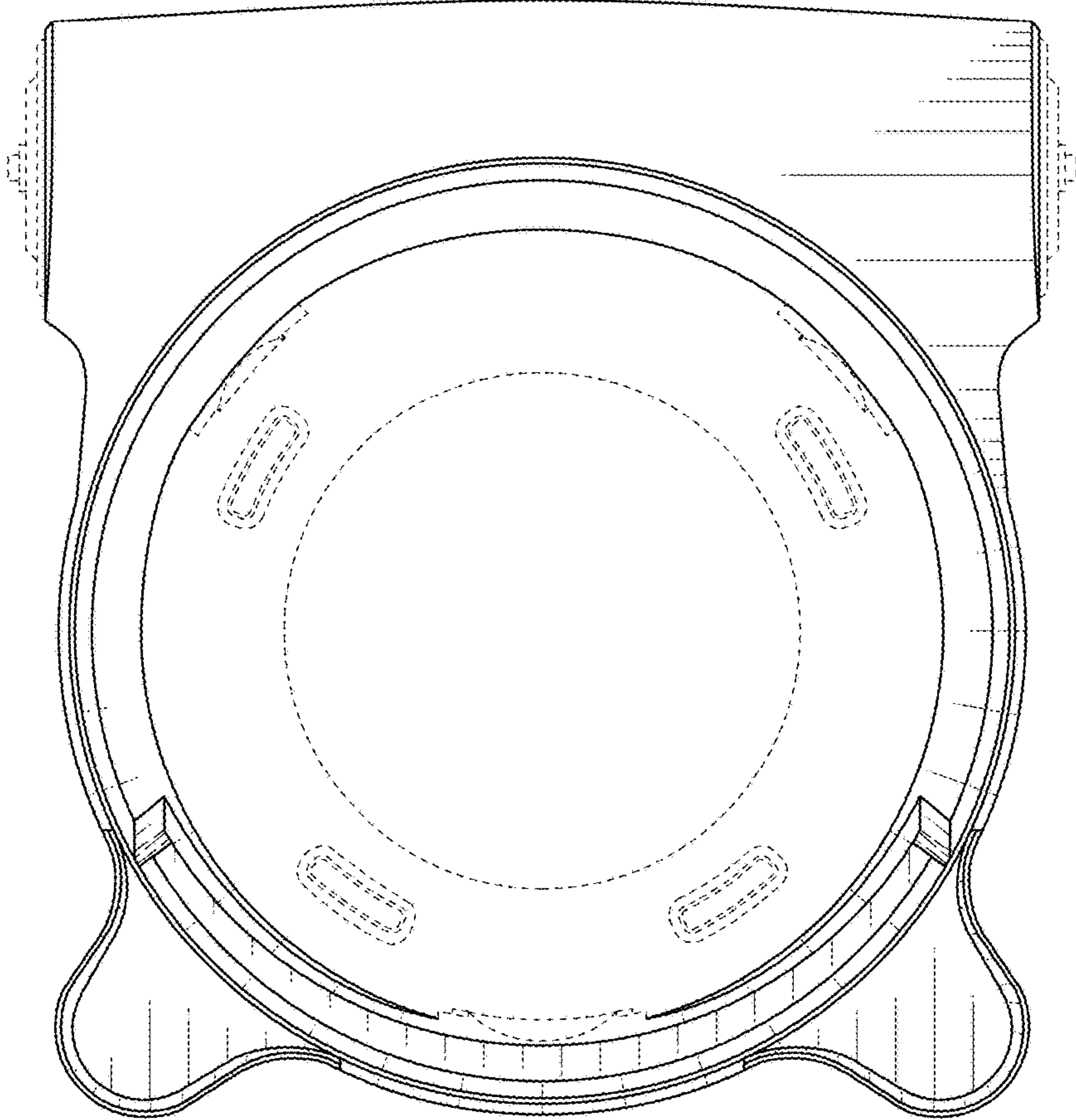


FIG. 6

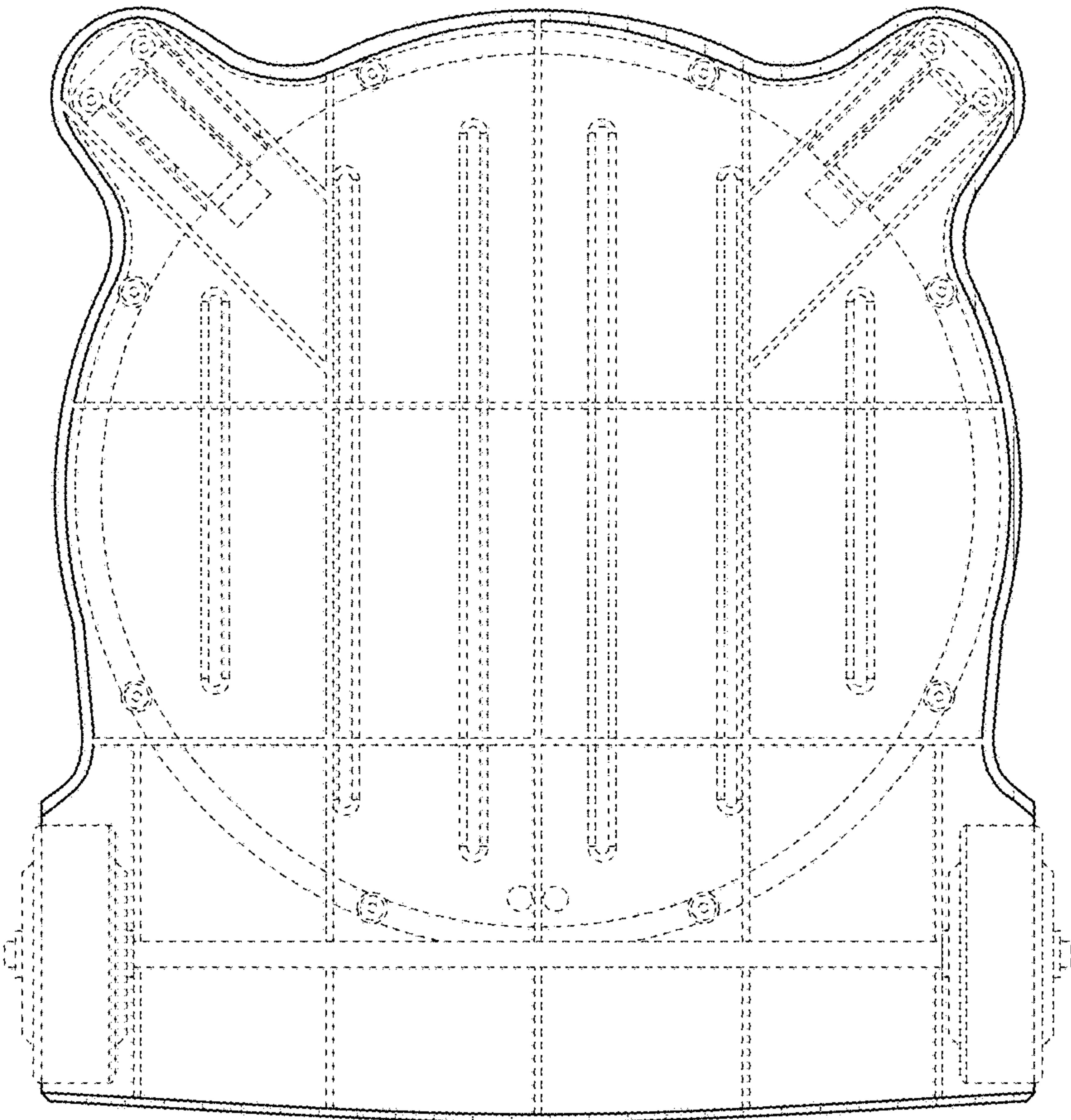


FIG. 7