



US00D859768S

(12) **United States Design Patent**  
**Mazor**

(10) **Patent No.:** **US D859,768 S**

(45) **Date of Patent:** **\*\* Sep. 10, 2019**

(54) **COMPOSTER**

(71) Applicant: **MAZE DISTRIBUTION PTY LTD,**  
Clayton (AU)

(72) Inventor: **Ronen Mazor,** Clayton (AU)

(73) Assignee: **MAZE DISTRIBUTION PTY LTD**  
(AU)

(\*\*) Term: **15 Years**

(21) Appl. No.: **29/602,312**

(22) Filed: **May 1, 2017**

(51) **LOC (12) Cl.** ..... **09-09**

(52) **U.S. Cl.**  
USPC ..... **D34/1**

(58) **Field of Classification Search**  
USPC ..... D34/1, 7; 220/908, 422; D22/146  
CPC .... B65F 1/1473; B65F 1/1452; B65F 1/1489;  
C05F 17/02; C05F 17/0205; C05F  
17/0223; C05F 17/0258

See application file for complete search history.

(56) **References Cited**

**U.S. PATENT DOCUMENTS**

D307,434 S \* 4/1990 Payack ..... D15/199  
D362,524 S \* 9/1995 Fink ..... D34/1

D417,537 S \* 12/1999 Livingston ..... D34/5  
D642,350 S \* 7/2011 Messalem ..... D34/1  
D799,135 S \* 10/2017 Dror ..... D34/1  
D799,774 S \* 10/2017 Dror ..... D34/1  
2013/0052726 A1\* 2/2013 Ashby ..... C05F 17/0205  
435/290.3

\* cited by examiner

*Primary Examiner* — Cynthia Ramirez

(74) *Attorney, Agent, or Firm* — Galbreath Law Offices,  
P.C.; John A. Galbreath

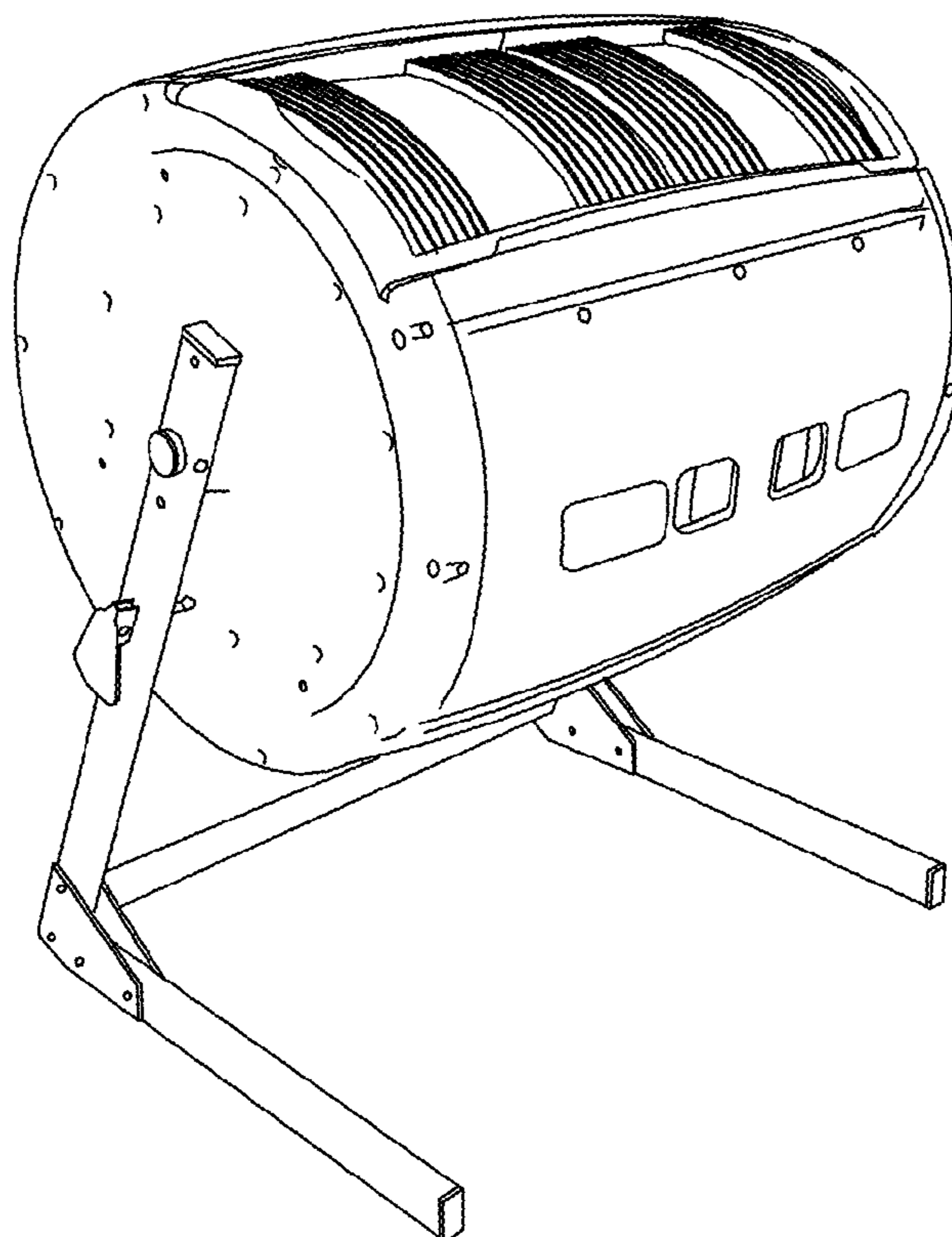
(57) **CLAIM**

The ornamental design for a composter, as shown and described.

**DESCRIPTION**

FIG. 1 is a perspective view of a composter showing our new design;  
FIG. 2 is a second perspective view thereof;  
FIG. 3 is a rear view thereof;  
FIG. 4 is a front view thereof;  
FIG. 5 is a left view thereof;  
FIG. 6 is a right view thereof; and,  
FIG. 7 is a top view thereof.

**1 Claim, 7 Drawing Sheets**



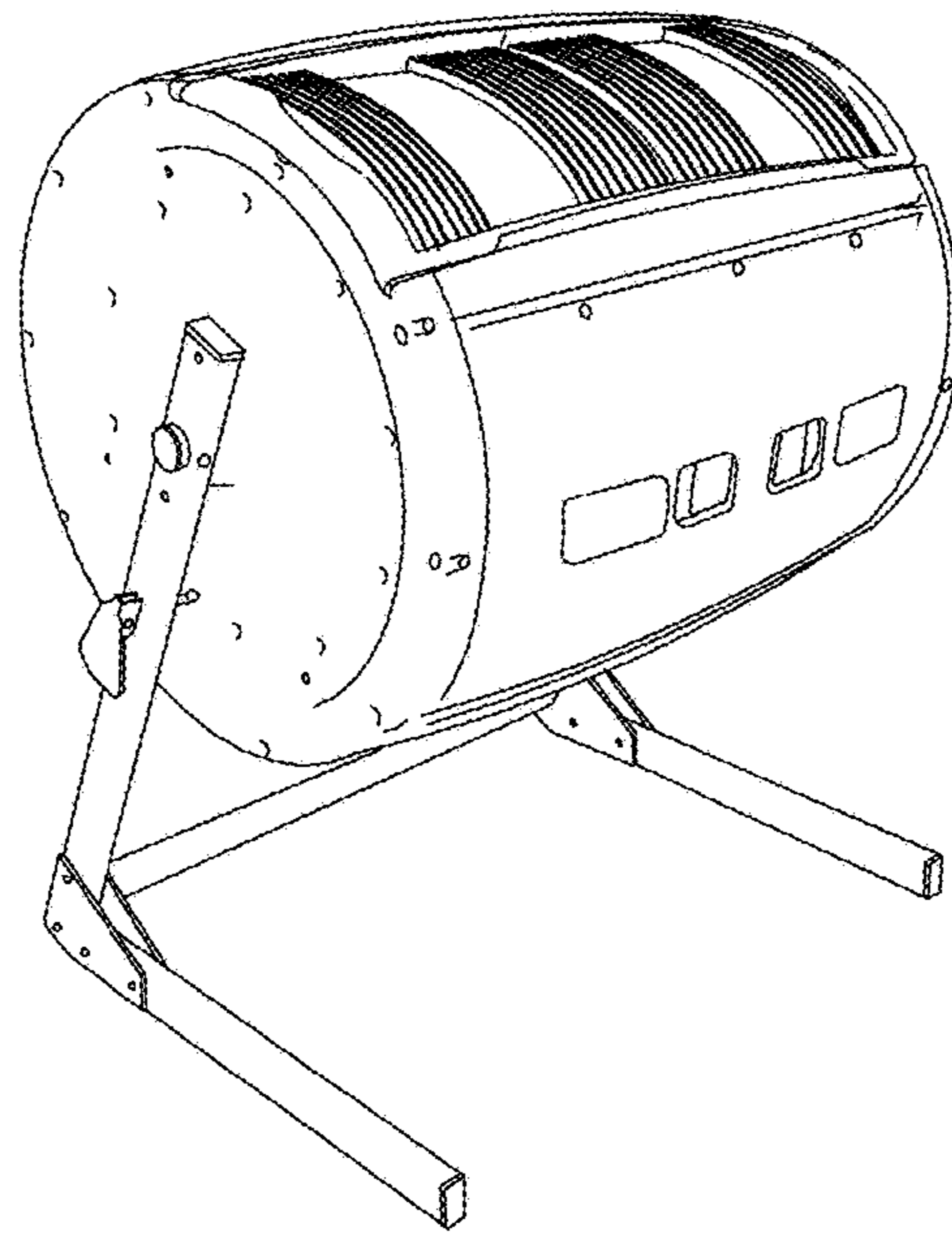


FIG. 1

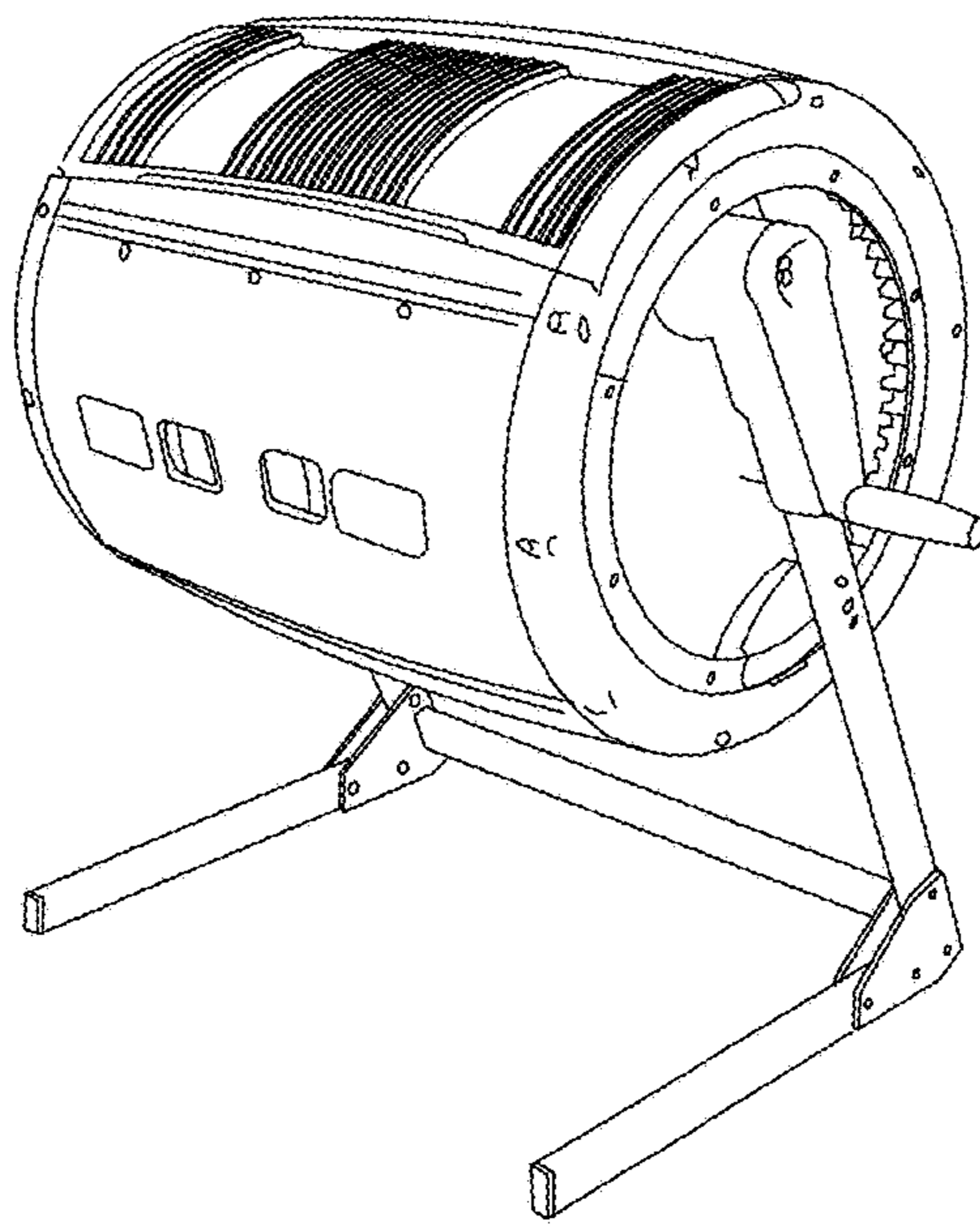


FIG. 2

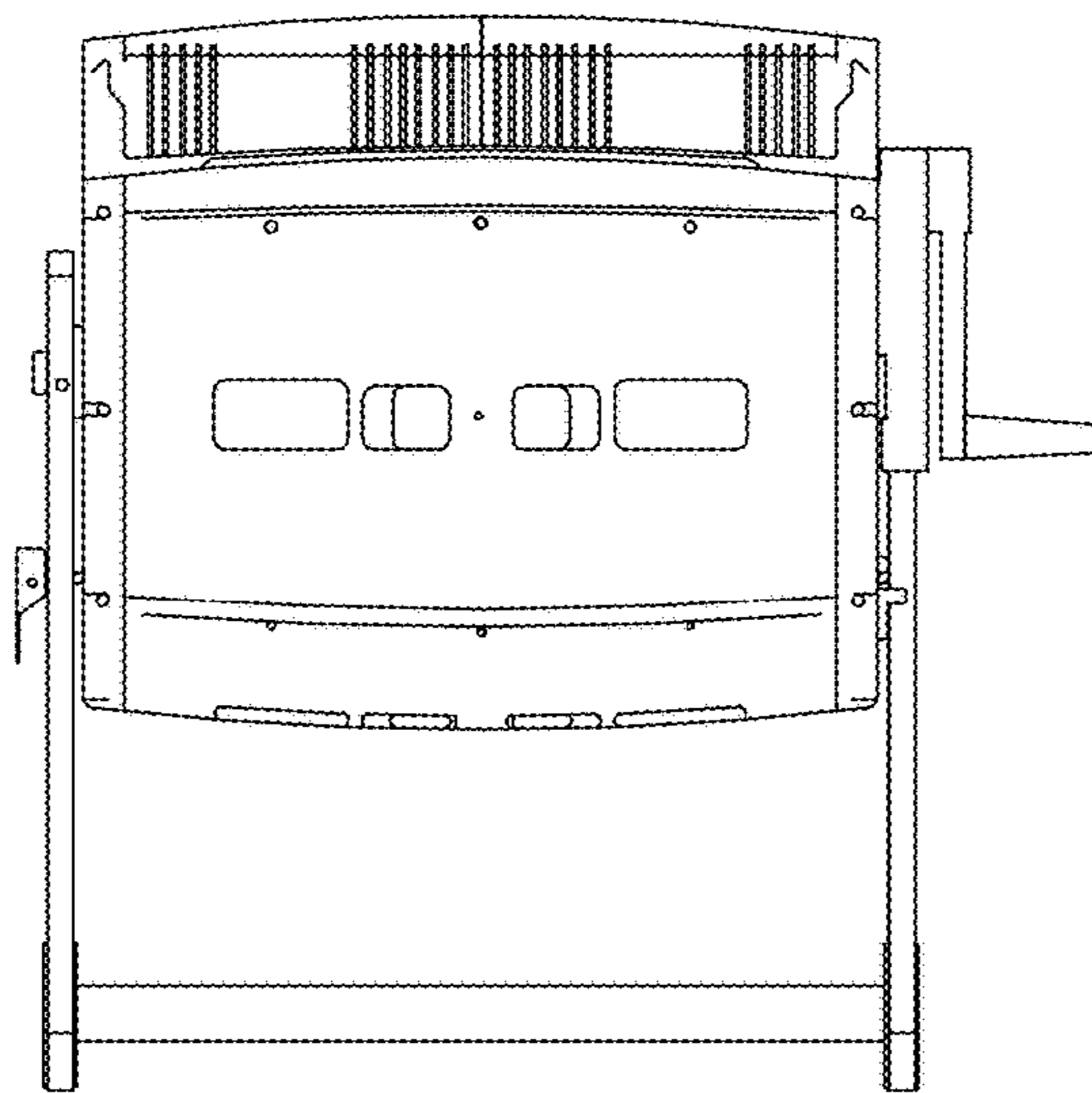


FIG. 3

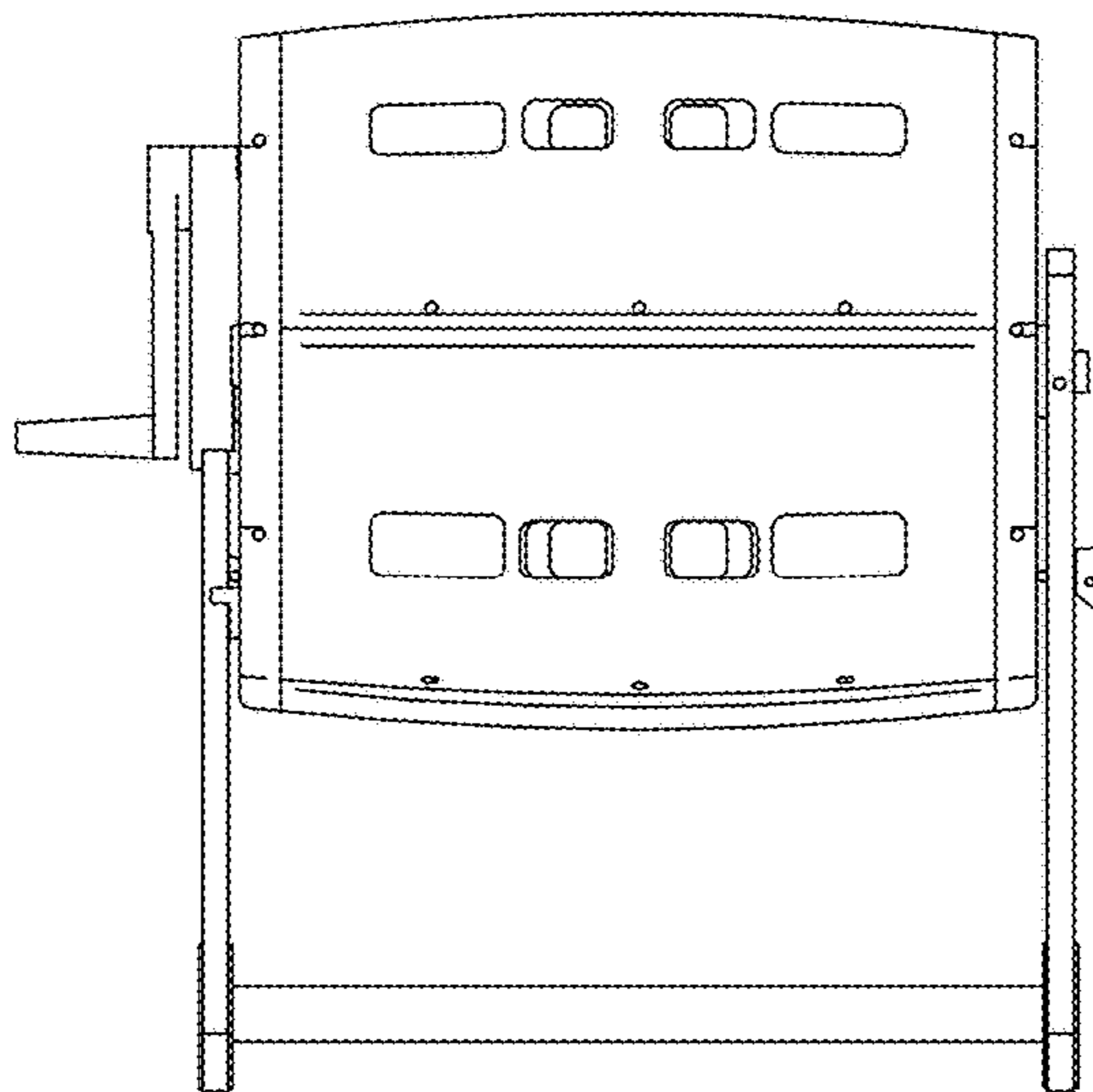


FIG. 4

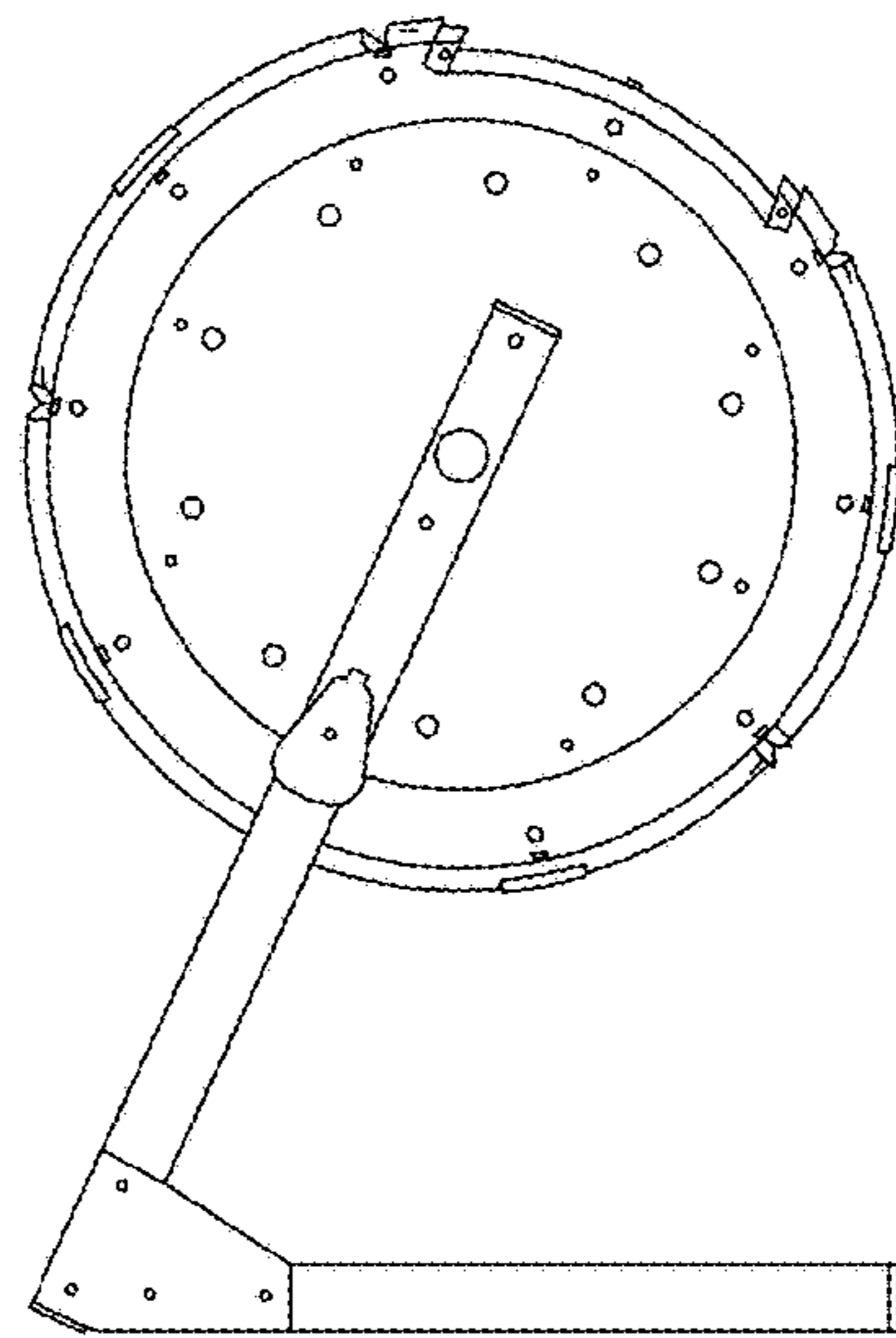


FIG. 5

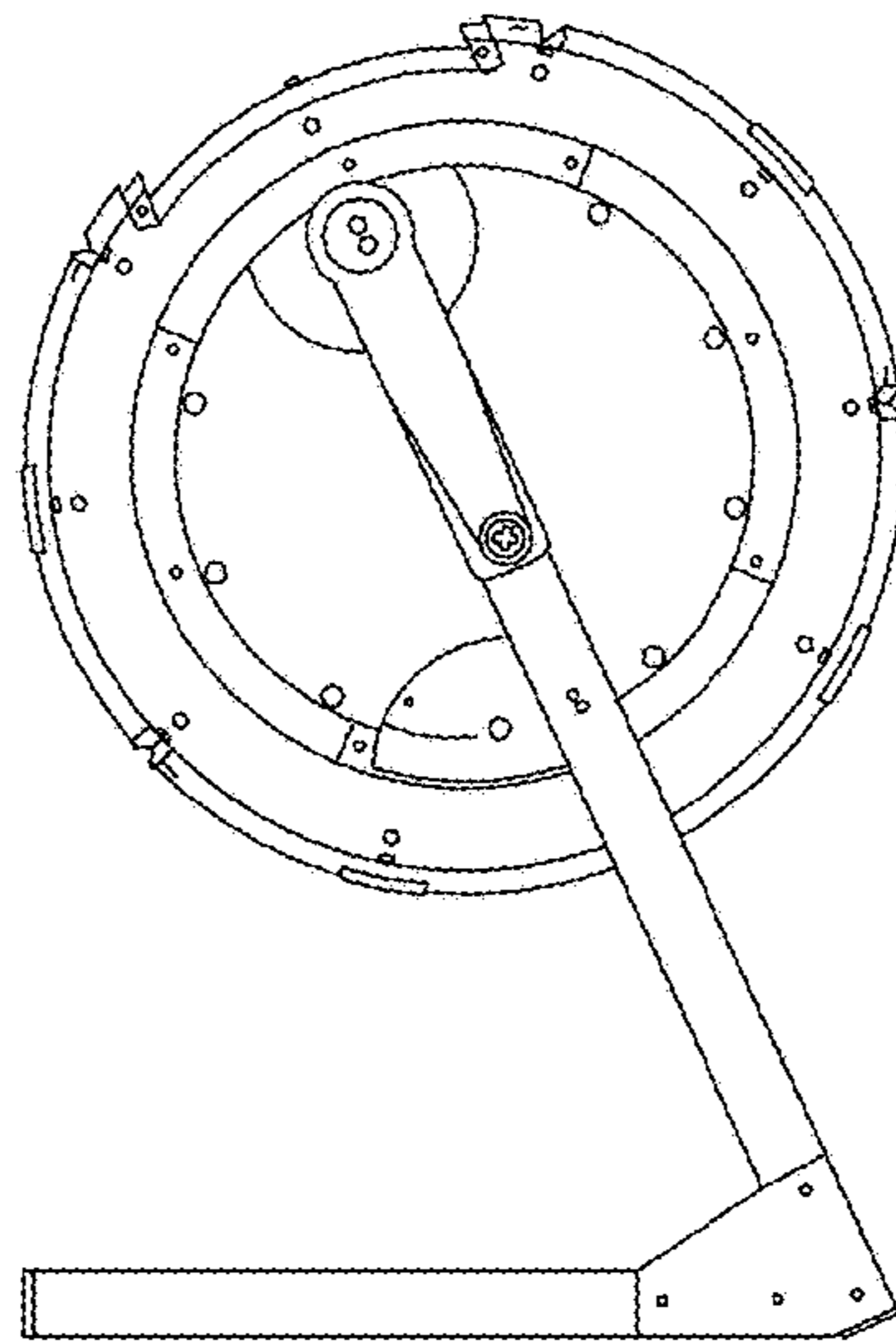


FIG. 6

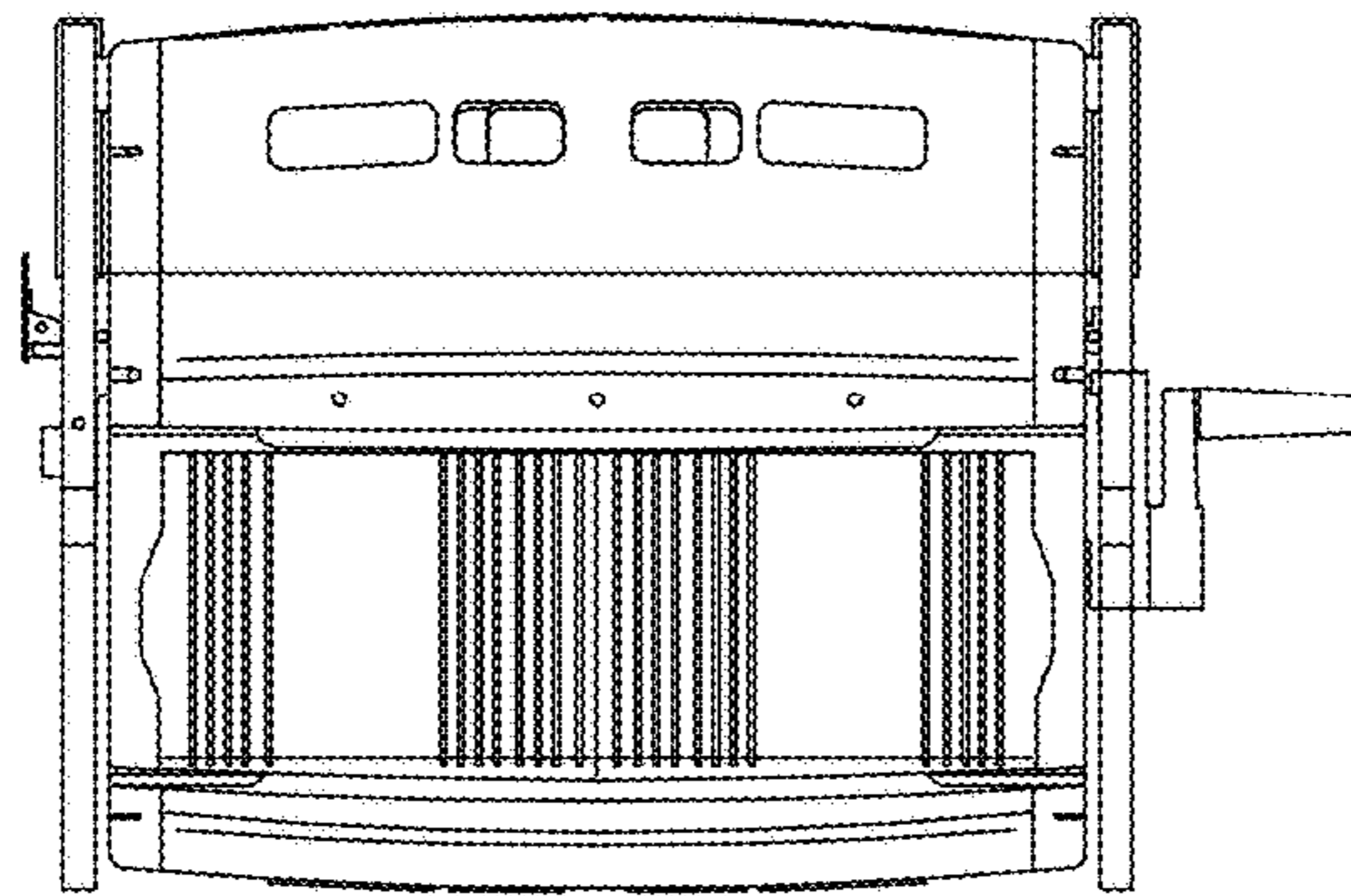


FIG. 7