



US00D859766S

(12) **United States Design Patent**  
**Ayers et al.**

(10) **Patent No.:** **US D859,766 S**

(45) **Date of Patent:** **\*\* Sep. 10, 2019**

(54) **WASHING MACHINE**

(71) Applicant: **WHIRLPOOL CORPORATION**,  
Benton Harbor, MI (US)

(72) Inventors: **Kevin B. Ayers**, St. Joseph, MI (US);  
**Abhijeet Bhattacharya**, Lehi, UT  
(US); **Seth E. Bixby**, Stevensville, MI  
(US); **Andrew Kubasiak**, St. Joseph,  
MI (US); **Michael R. Mackay**, St.  
Joseph, MI (US); **David Miller**,  
Zeeland, MI (US)

(73) Assignee: **Whirlpool Corporation**, Benton  
Harbor, MI (US)

(\*\*) Term: **15 Years**

(21) Appl. No.: **29/672,999**

(22) Filed: **Dec. 11, 2018**

**Related U.S. Application Data**

(62) Division of application No. 29/653,202, filed on Jun.  
13, 2018, now Pat. No. Des. 839,513, which is a  
division of application No. 29/539,917, filed on Sep.  
18, 2015, now Pat. No. Des. 822,924.

(51) **LOC (12) Cl.** ..... **15-05**

(52) **U.S. Cl.**  
USPC ..... **D32/25**

(58) **Field of Classification Search**  
USPC .... D32/1-6, 10, 25, 28; 68/3 R, 5 R, 235 R,  
68/196, 212; 8/137; 220/810; 312/228,  
312/228.1, 236, 294, 326  
CPC ..... D06F 39/028; D06F 37/28; D06F 39/14;  
D06F 33/02; D06F 58/00  
See application file for complete search history.

(56) **References Cited**

**U.S. PATENT DOCUMENTS**

D489,496 S \* 5/2004 Sneddon ..... D32/6  
D589,215 S 3/2009 Choi et al.

D618,865 S 6/2010 Cline et al.  
D620,656 S \* 7/2010 Bixby ..... D32/25  
D627,115 S 11/2010 Jeon et al.  
D631,623 S 1/2011 Chung et al.  
D648,084 S 11/2011 Browne et al.  
D681,892 S 5/2013 Meda et al.  
D697,680 S \* 1/2014 Hwang ..... D32/25  
D704,907 S 5/2014 Yoo et al.  
D708,800 S 7/2014 Choi et al.  
D711,605 S \* 8/2014 Jo ..... D32/25  
D718,505 S 11/2014 Hyounsub et al.  
D729,995 S \* 5/2015 Song ..... D32/6  
D739,096 S 9/2015 Qin et al.  
D748,355 S 1/2016 Sim et al.

(Continued)

*Primary Examiner* — Ian Simmons

*Assistant Examiner* — Yolanda Robinson

(74) *Attorney, Agent, or Firm* — Price Heneveld LLP

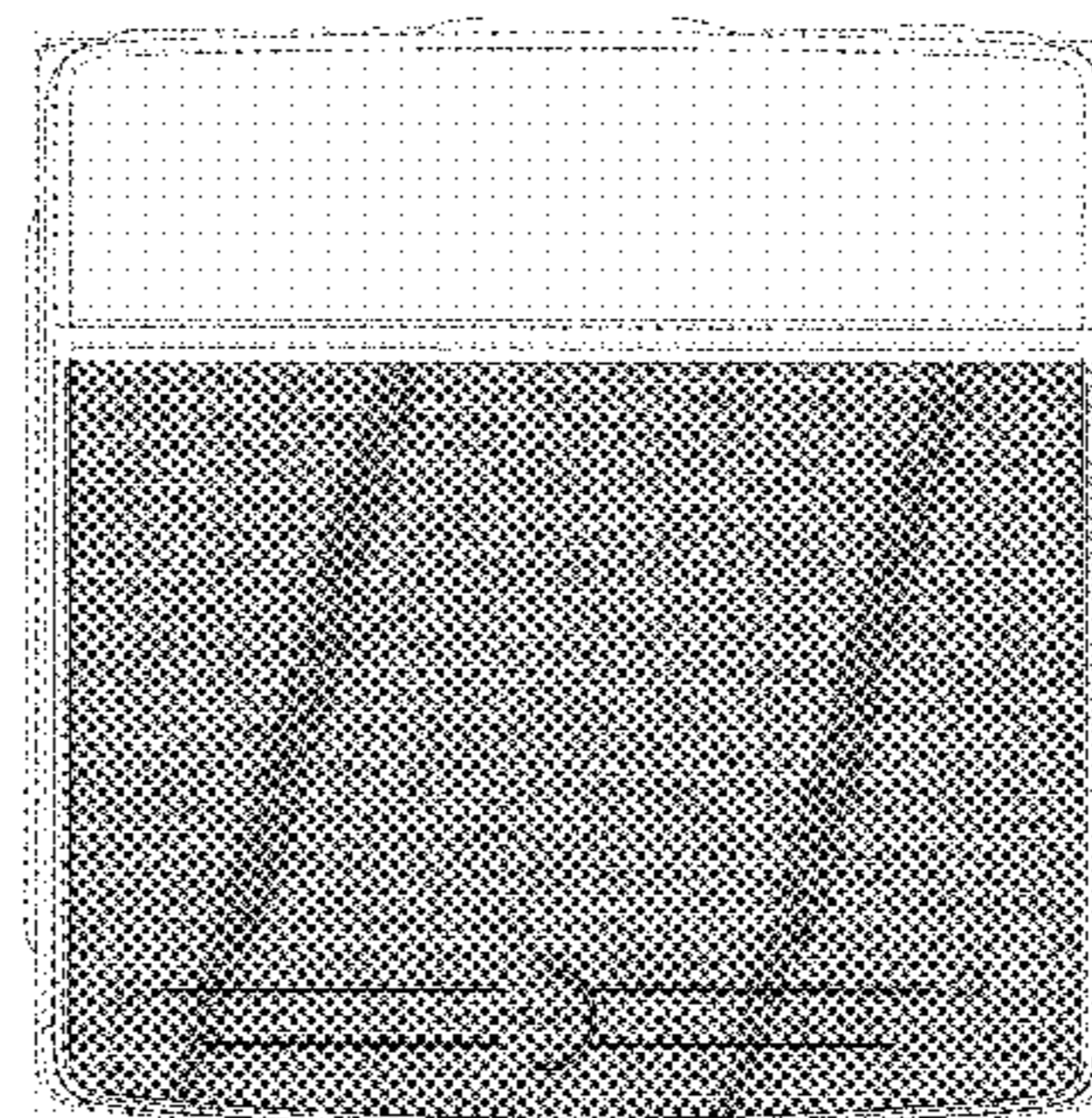
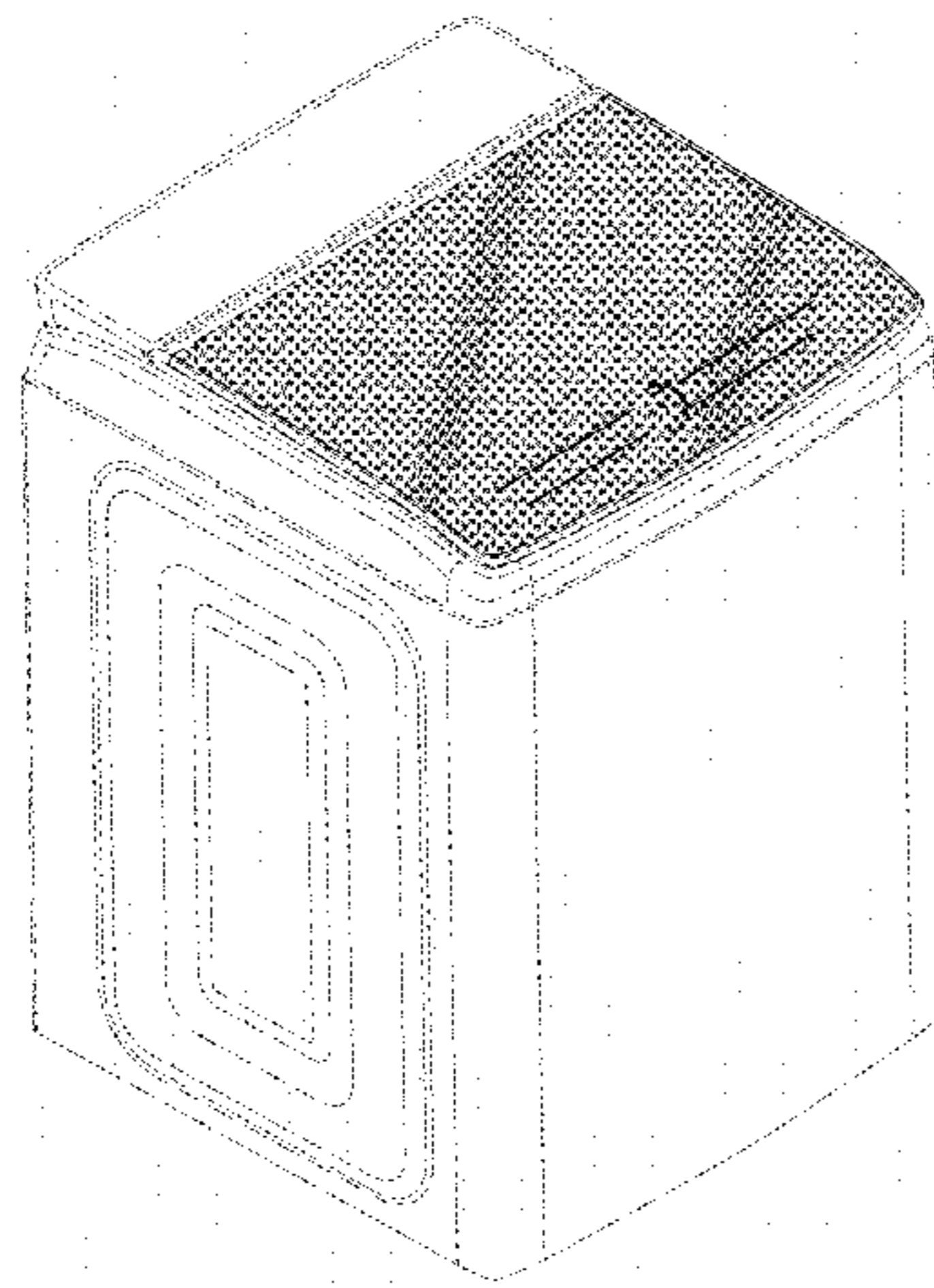
(57) **CLAIM**

The ornamental design for a washing machine, as shown and described.

**DESCRIPTION**

FIG. 1 is a front-left perspective view of a washing machine according to an embodiment of our design; FIG. 2 is a front elevation view thereof; FIG. 3 is a back elevation view thereof; FIG. 4 is a left side elevation view thereof; FIG. 5 is a right side elevation view thereof; FIG. 6 is a top plan view thereof; and, FIG. 7 is a bottom plan view thereof. The broken line showing of various features is for the purpose of illustrating portions of the article that form no part of the claimed design. Dash-dot lines adjacent un-shaded areas represent bounds of the claimed design and form no part thereof. Diagonal shading is used to represent transparency.

**1 Claim, 7 Drawing Sheets**



(56)

References Cited

U.S. PATENT DOCUMENTS

D754,937 S	4/2016	Kim et al.				
D758,028 S	5/2016	Bixby et al.				
D758,680 S	6/2016	Hoffman et al.				
D759,915 S *	6/2016	Choi .....	D32/25			
D760,454 S	6/2016	Joo et al.				
D760,968 S	7/2016	Choi et al.				
D761,506 S *	7/2016	Choi .....	D32/25			
D762,025 S *	7/2016	Joo .....	D32/6			
D762,027 S *	7/2016	Choi .....	D32/25			
D764,120 S *	8/2016	Choi .....	D32/6			
D771,335 S *	11/2016	Yoon .....	D32/25			
D772,504 S *	11/2016	Kang .....	D32/25			
D775,437 S	12/2016	Yoon et al.				
D775,438 S	12/2016	Kang et al.				
D778,010 S	1/2017	Choi et al.				
9,605,372 B2	3/2017	Kim et al.				
D783,213 S	4/2017	Jeon et al.				
D788,386 S *	5/2017	Kang .....	D32/25			
D789,628 S *	6/2017	Kang .....	D32/25			
D798,006 S	9/2017	Kang et al.				
D809,221 S	1/2018	Kim et al.				
		9,873,973 B2		1/2018	Park et al.	
		9,909,248 B2		3/2018	Mora et al.	
		D818,218 S		5/2018	Liu et al.	
		2004/0068951 A1		4/2004	Bienick et al.	
		2009/0229320 A1		9/2009	Yoo et al.	
		2011/0089793 A1		4/2011	Kim et al.	
		2013/0239626 A1 *		9/2013	Ekbundit .....	D06F 9/12 68/3 R
		2014/0210324 A1		7/2014	Kilgore et al.	
		2014/0345063 A1		11/2014	Cavalli et al.	
		2014/0373284 A1		12/2014	Leibman et al.	
		2015/0076977 A1		3/2015	Kim et al.	
		2015/0123521 A1 *		5/2015	Lee .....	D06F 39/14 312/228
		2015/0145388 A1 *		5/2015	Jung .....	D06F 37/267 312/228
		2015/0345069 A1 *		12/2015	Leibman .....	D06F 39/022 68/17 R
		2016/0047077 A1		2/2016	Leibman et al.	
		2016/0167858 A1		6/2016	Sanfilippo et al.	
		2016/0194799 A1 *		7/2016	Nash .....	D06F 37/18 68/3 R
		2018/0187363 A1		7/2018	Jang et al.	

\* cited by examiner



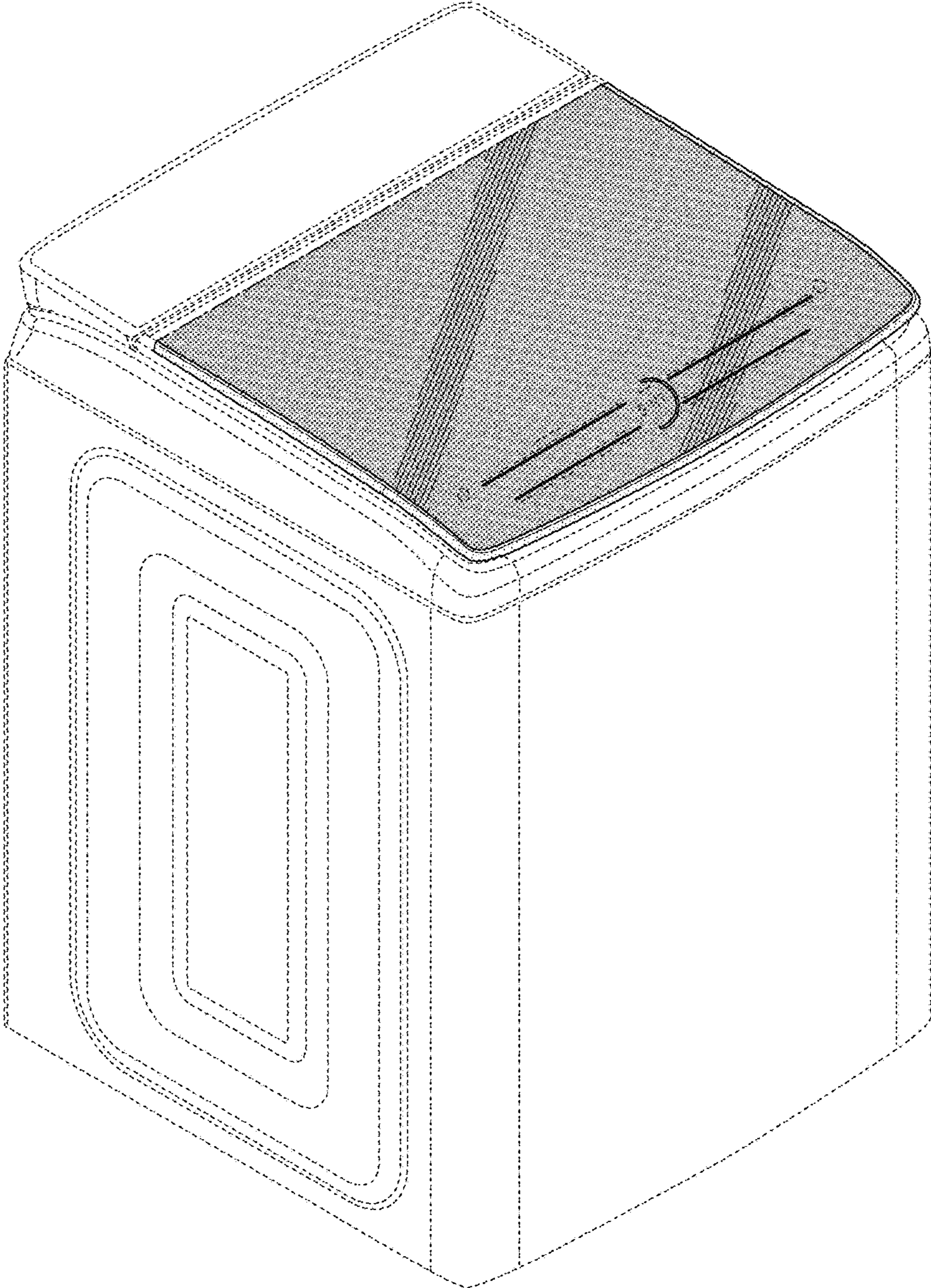


FIG. 1

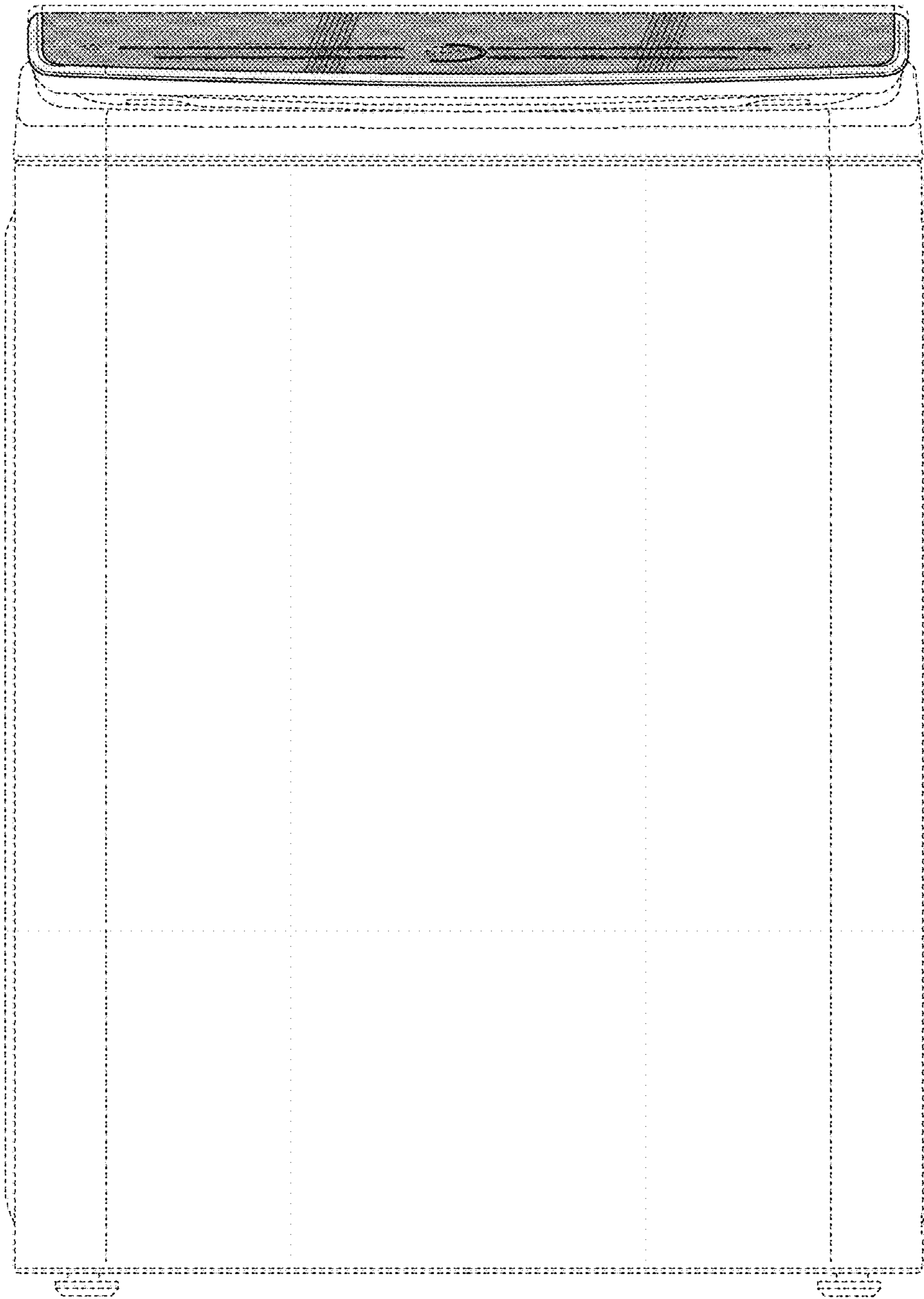


FIG. 2

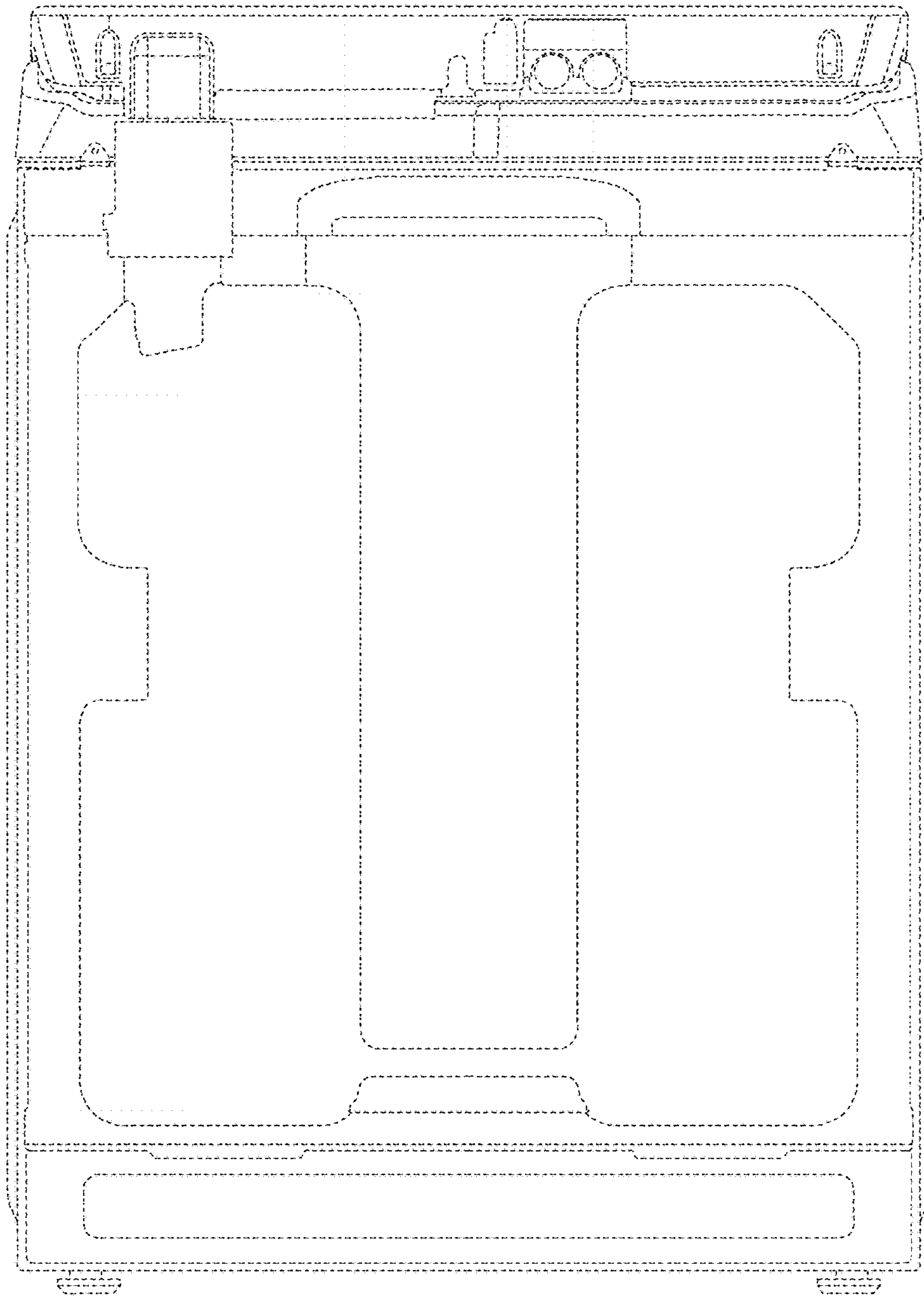


FIG. 3



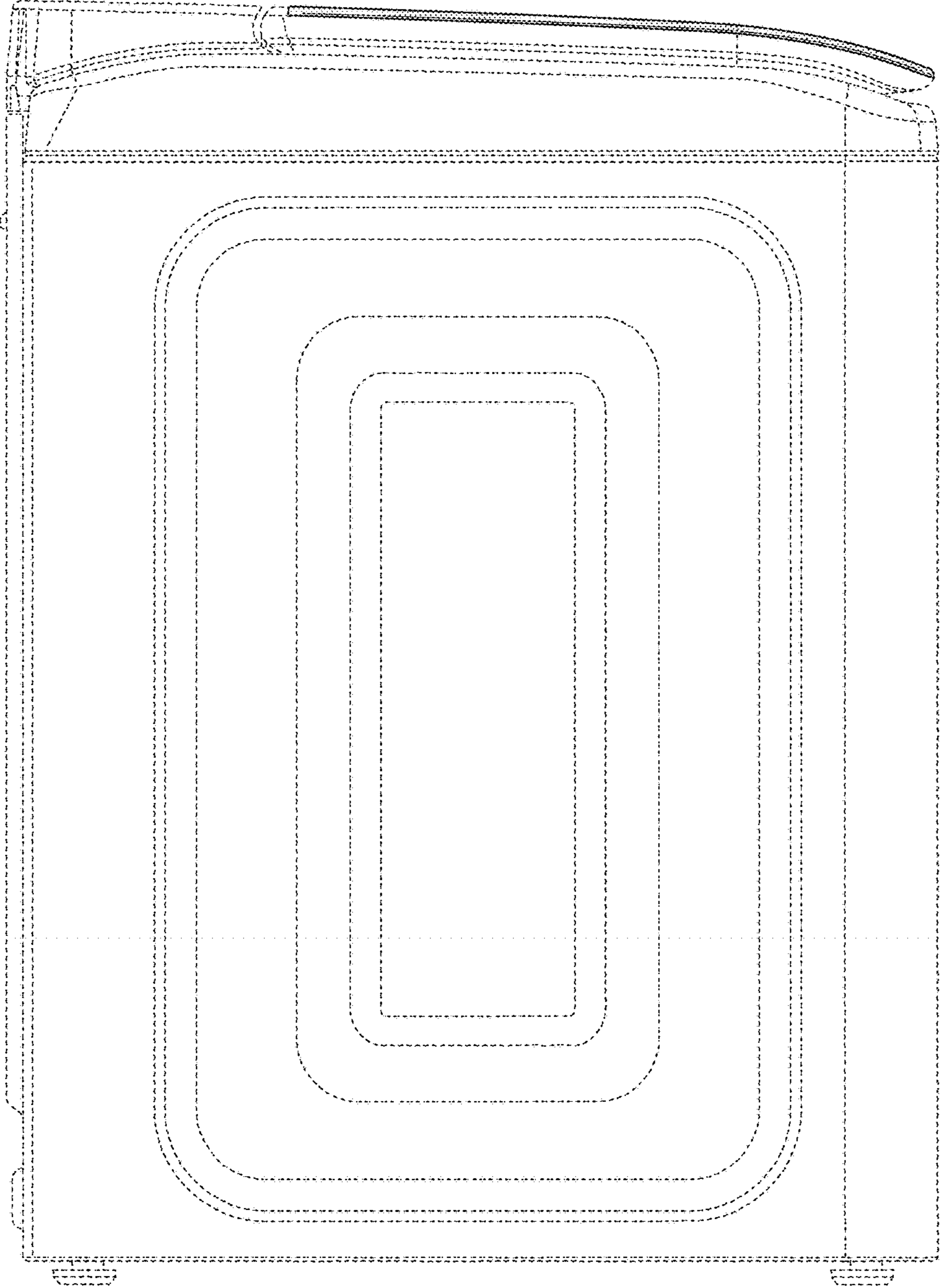


FIG. 4

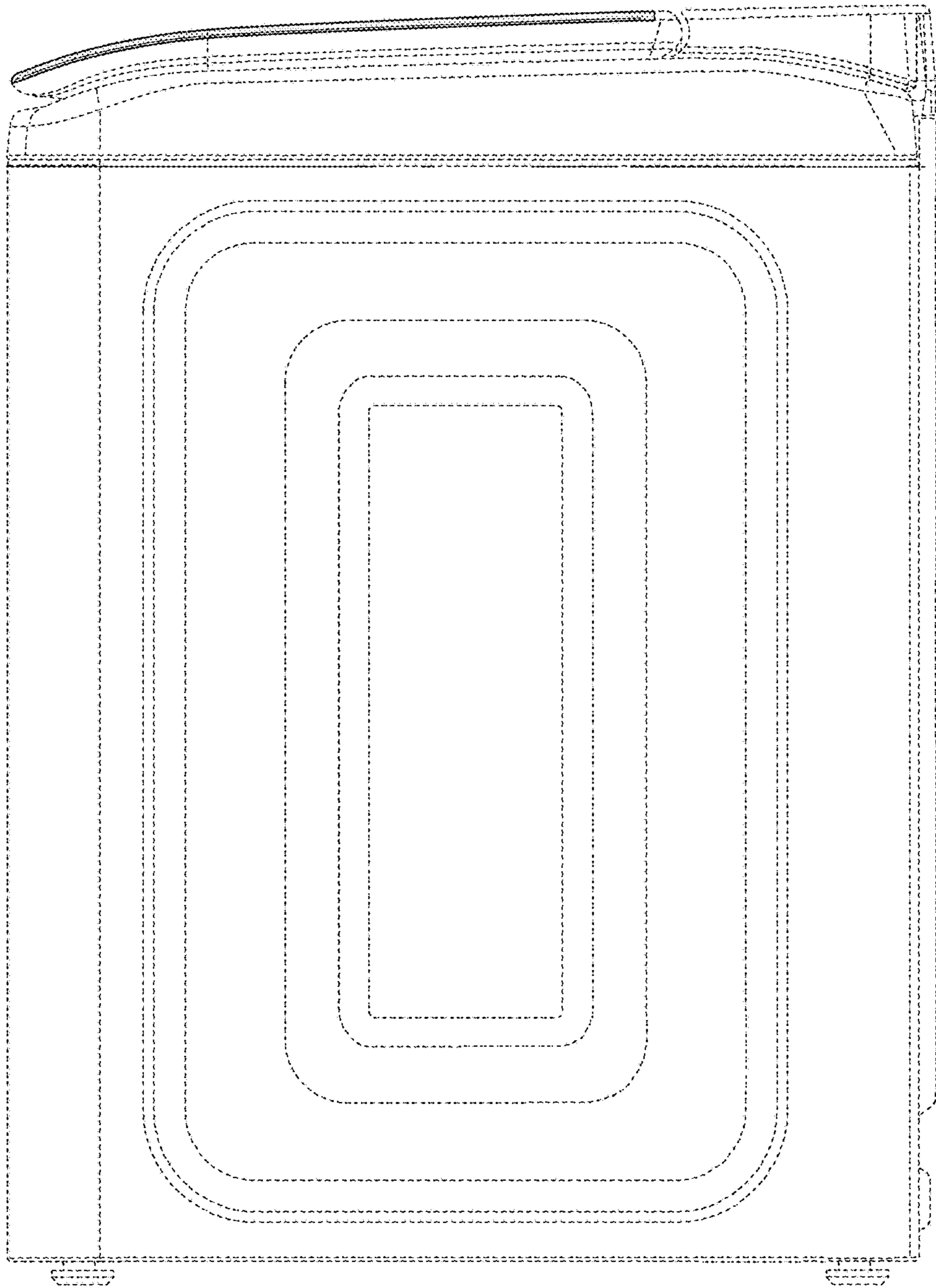


FIG. 5



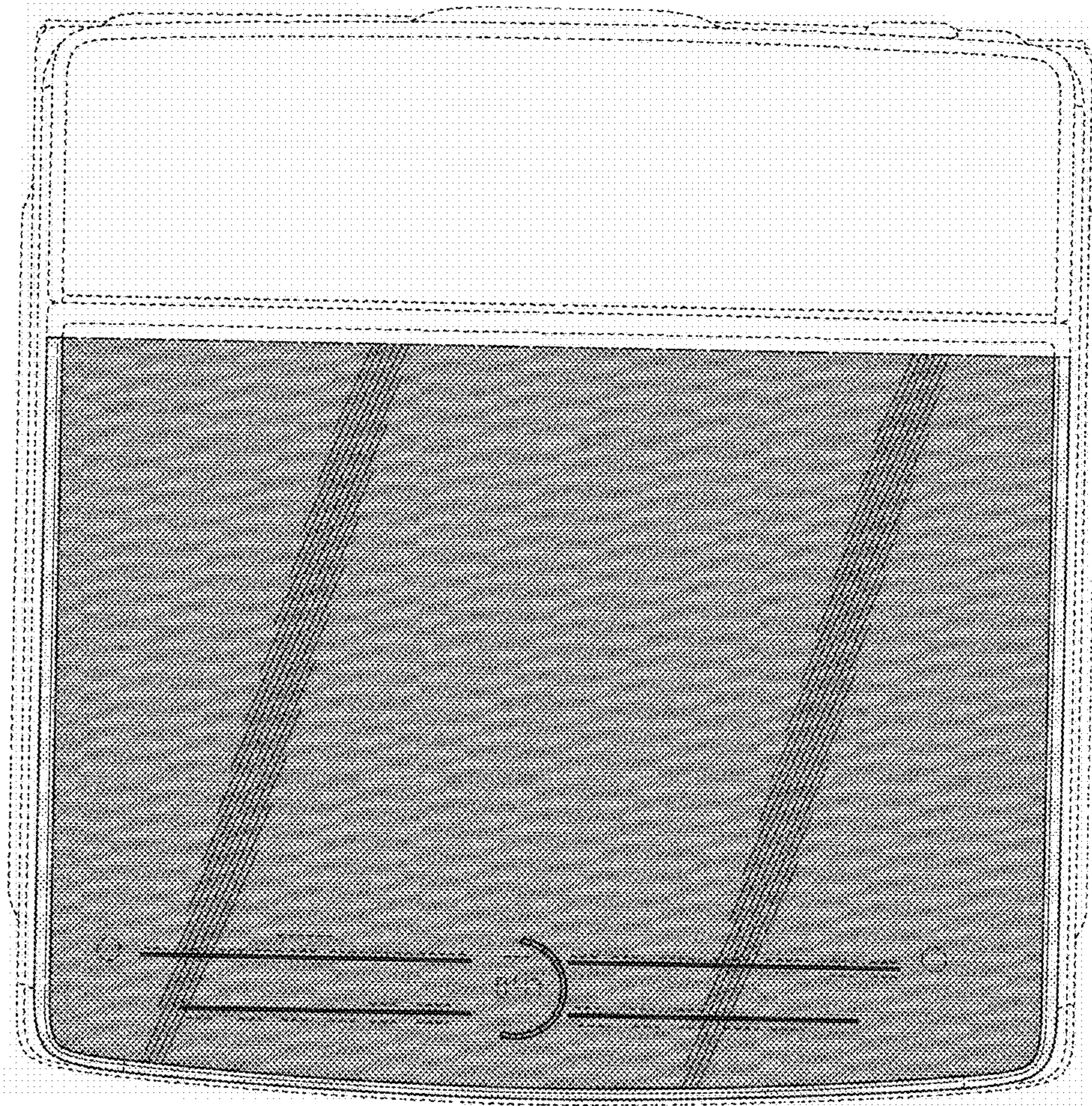


FIG. 6



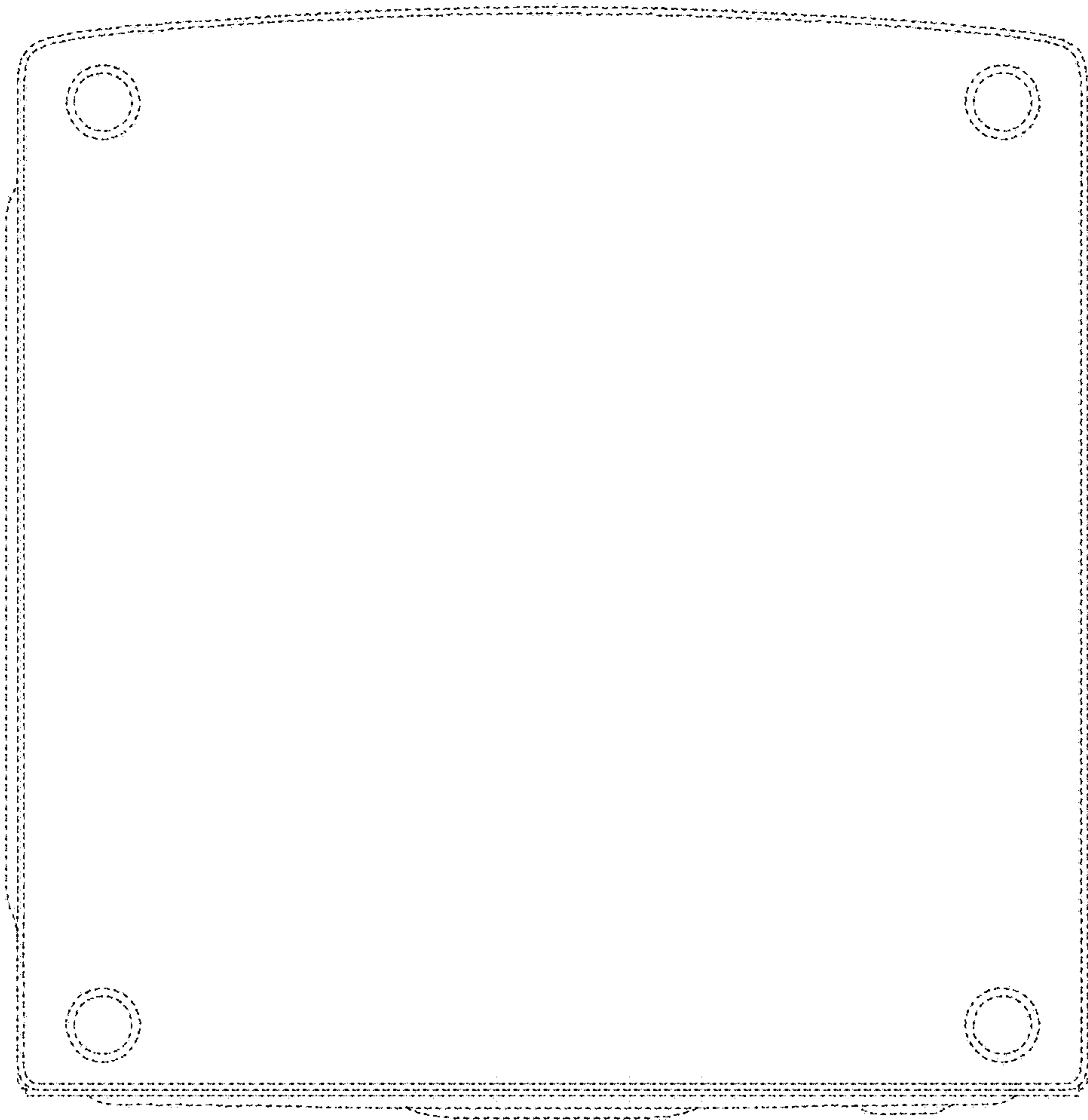


FIG. 7