



US00D859763S

(12) **United States Design Patent** (10) **Patent No.:** **US D859,763 S**  
**Brown et al.** (45) **Date of Patent:** **\*\* Sep. 10, 2019**

- (54) **POLISHER**
- (71) Applicant: **Griot's Garage, Inc.**, Tacoma, WA (US)
- (72) Inventors: **Jeffrey L. Brown**, Savage, MN (US); **Richard L. Griot**, Tacoma, WA (US)
- (73) Assignee: **Griot's Garage, Inc.**, Tacoma, WA (US)
- (\*\*) Term: **15 Years**
- (21) Appl. No.: **29/602,689**
- (22) Filed: **May 2, 2017**

**Related U.S. Application Data**

- (62) Division of application No. 29/501,870, filed on Sep. 9, 2014, now Pat. No. Des. 792,666.
- (51) **LOC (12) Cl.** ..... **04-03**
- (52) **U.S. Cl.**  
USPC ..... **D32/19**
- (58) **Field of Classification Search**  
USPC ... D32/1, 15, 16, 17, 19, 20, 21, 22, 18, 25,  
D32/31; D4/102, 100, 127, 129; D8/61,  
D8/62  
CPC ..... B24B 29/00; B24B 29/005; B24B 31/003;  
B08B 9/023  
See application file for complete search history.

(56) **References Cited**

**U.S. PATENT DOCUMENTS**

- 2,553,688 A \* 5/1951 Thompson ..... B24B 23/028  
451/344
- 4,102,084 A 7/1978 Bloomquist
- D273,173 S 3/1984 Poon
- D330,151 S \* 10/1992 Fisher ..... D8/62
- D332,558 S \* 1/1993 Hoshino ..... D8/62
- 5,187,827 A \* 2/1993 Wei ..... A46B 13/06  
15/22.1
- D338,754 S 8/1993 Skrzypek

- D353,310 S 12/1994 Izumisawa
- D354,424 S \* 1/1995 Izumisawa ..... D8/62
- D368,343 S \* 3/1996 Gebhard ..... D24/215
- D377,892 S 2/1997 Sung
- D381,248 S 7/1997 Sung
- D392,778 S 3/1998 McCracken
- D413,445 S \* 9/1999 deBlois ..... D4/102
- 5,978,999 A \* 11/1999 deBlois ..... A46B 13/008  
15/22.1
- D431,437 S \* 10/2000 Niwa ..... D8/62  
(Continued)

*Primary Examiner* — Michelle E. Wilson  
(74) *Attorney, Agent, or Firm* — Davis Wright Tremaine LLP; George C. Rondeau, Jr.

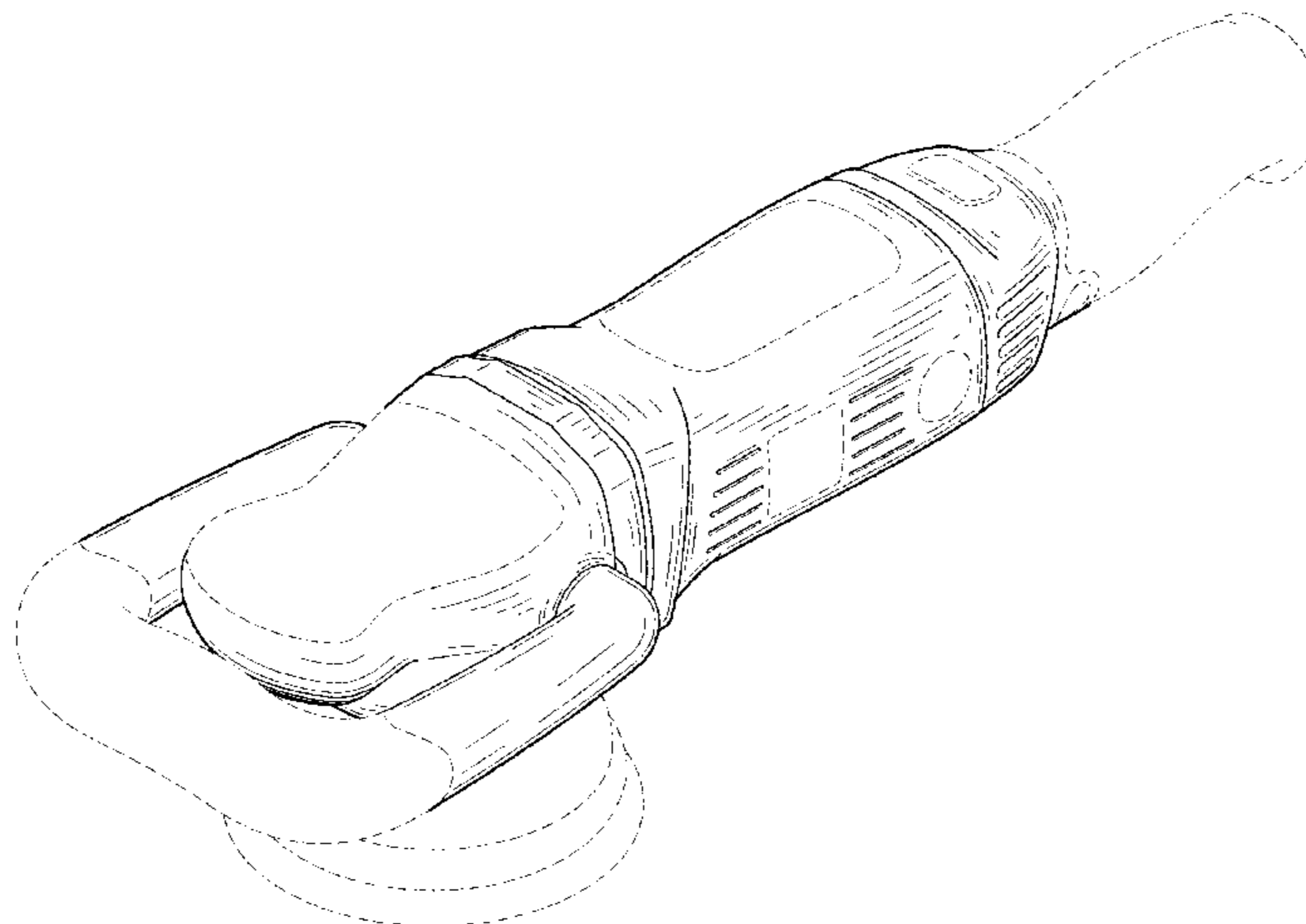
(57) **CLAIM**

The ornamental design for a polisher, as shown and described.

**DESCRIPTION**

FIG. 1 is a top perspective view of a polisher showing our new design.  
 FIG. 2 is a left side elevational view thereof.  
 FIG. 3 is a top plan view thereof.  
 FIG. 4 is a right side elevational view thereof.  
 FIG. 5 is a bottom plan view thereof.  
 FIG. 6 is a front elevational view thereof.  
 FIG. 7 is a rear elevational view thereof.  
 FIG. 8 is a top perspective view of a second embodiment thereof.  
 FIG. 9 is a left side elevational view thereof.  
 FIG. 10 is a top plan view thereof.  
 FIG. 11 is a right side elevational view thereof.  
 FIG. 12 is a bottom plan view thereof.  
 FIG. 13 is a front elevational view thereof; and,  
 FIG. 14 is a rear elevational view thereof.  
 The broken lines represent portions of the polisher that form no part of the claim.

**1 Claim, 12 Drawing Sheets**



(56)

**References Cited**

U.S. PATENT DOCUMENTS

D443,397	S	6/2001	Williams	
6,342,002	B1	1/2002	Wang	
D471,329	S	3/2003	Heun	
D475,489	S	6/2003	McLelland	
D511,953	S	11/2005	Janson	
D520,688	S *	5/2006	Bakker	D32/19
D525,752	S	7/2006	Bakker	
D526,869	S	8/2006	Heun	
D529,244	S *	9/2006	Main	D32/19
D534,323	S *	12/2006	Hong	D32/19
D538,490	S *	3/2007	Hong	D32/15
D546,155	S	7/2007	Wu	
D548,901	S *	8/2007	Hong	D32/19
D569,056	S	5/2008	Zhu	
D590,553	S *	4/2009	Crevling, Jr.	D32/32
D596,362	S *	7/2009	Crevling, Jr.	D32/33
9,387,578	B2	7/2016	Kuehne	
D792,666	S *	7/2017	Brown	D32/19

\* cited by examiner

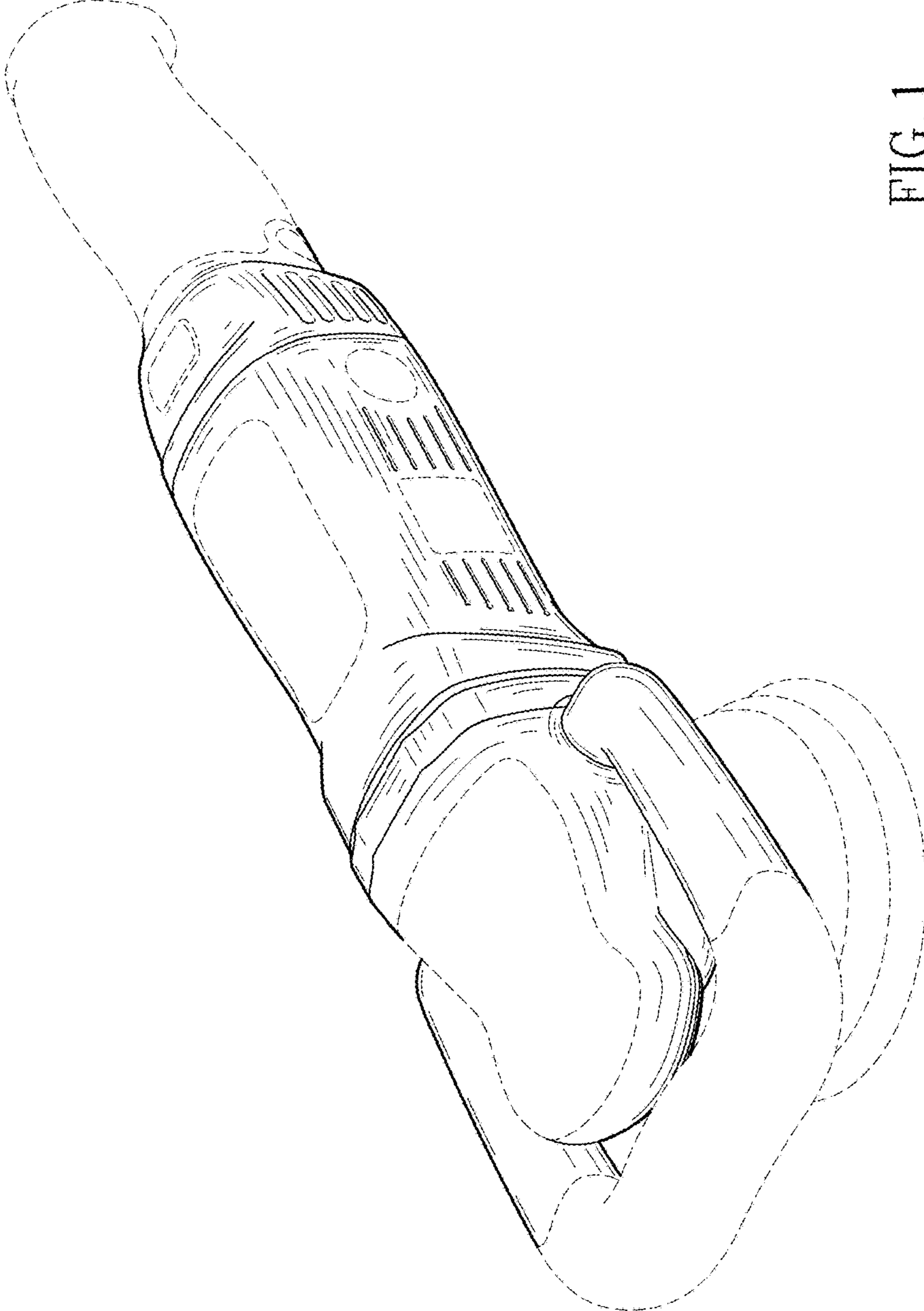


FIG. 1

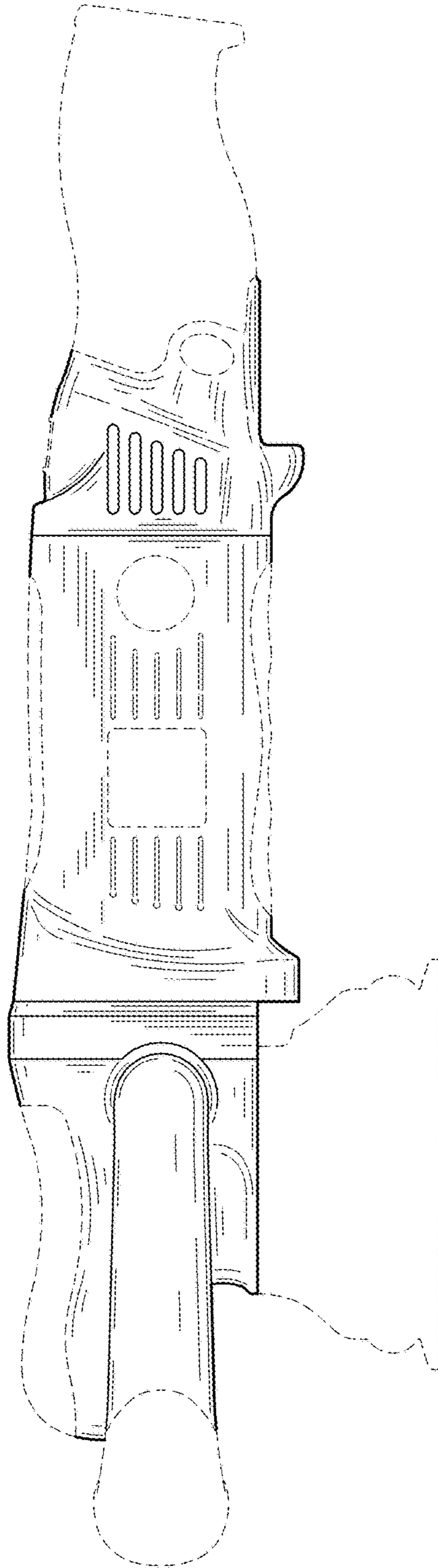


FIG. 2

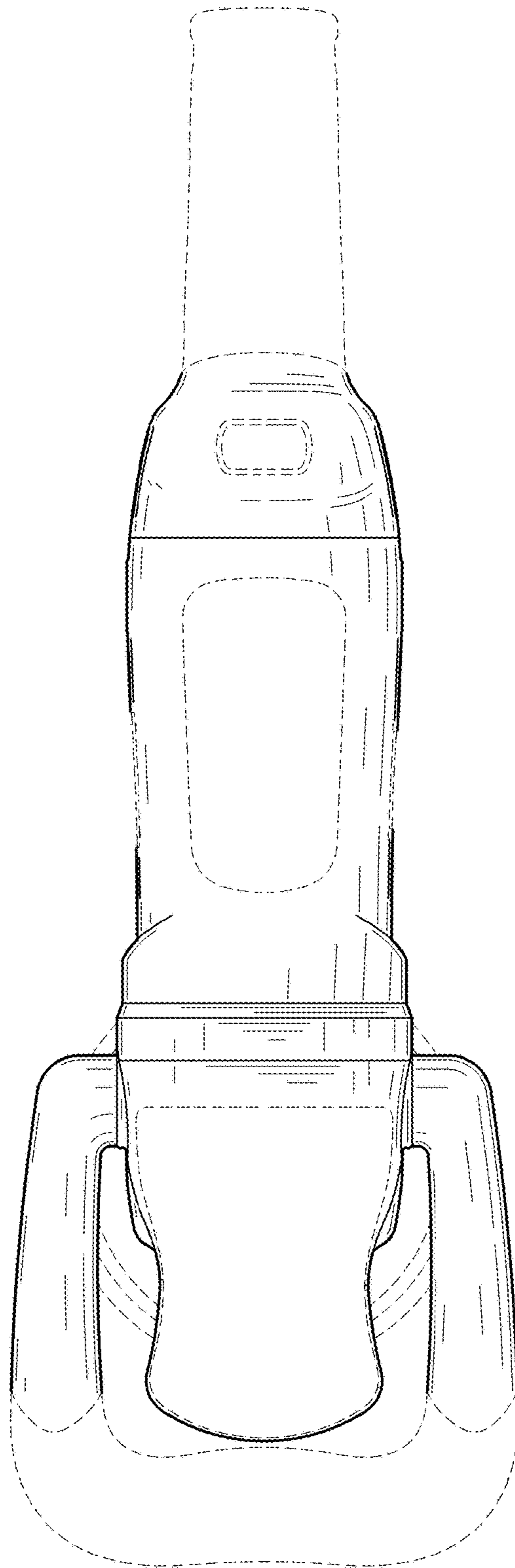


FIG. 3

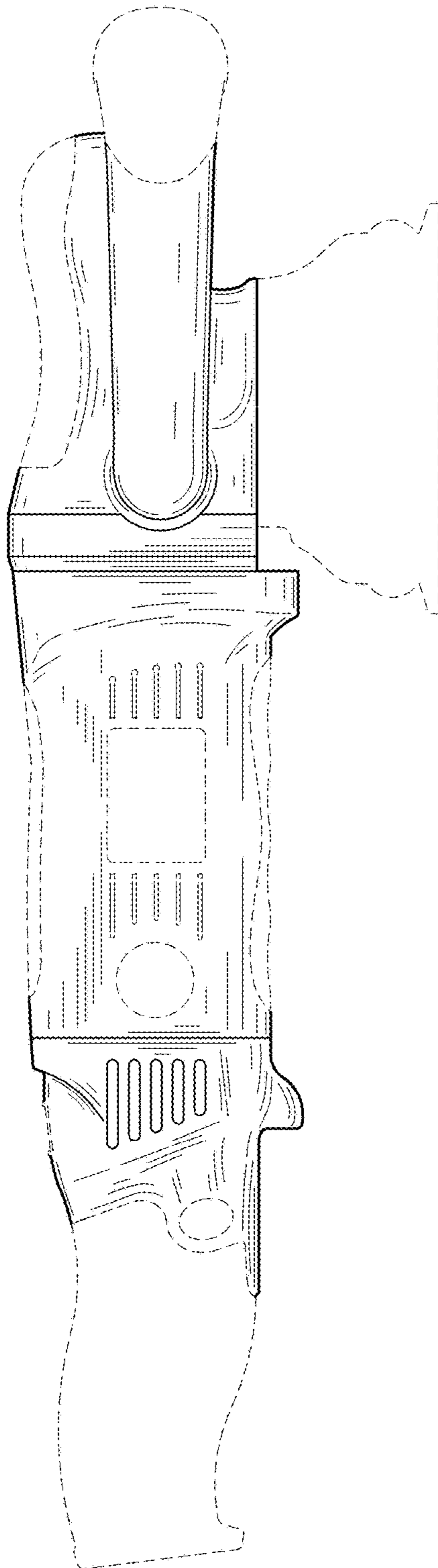


FIG. 4



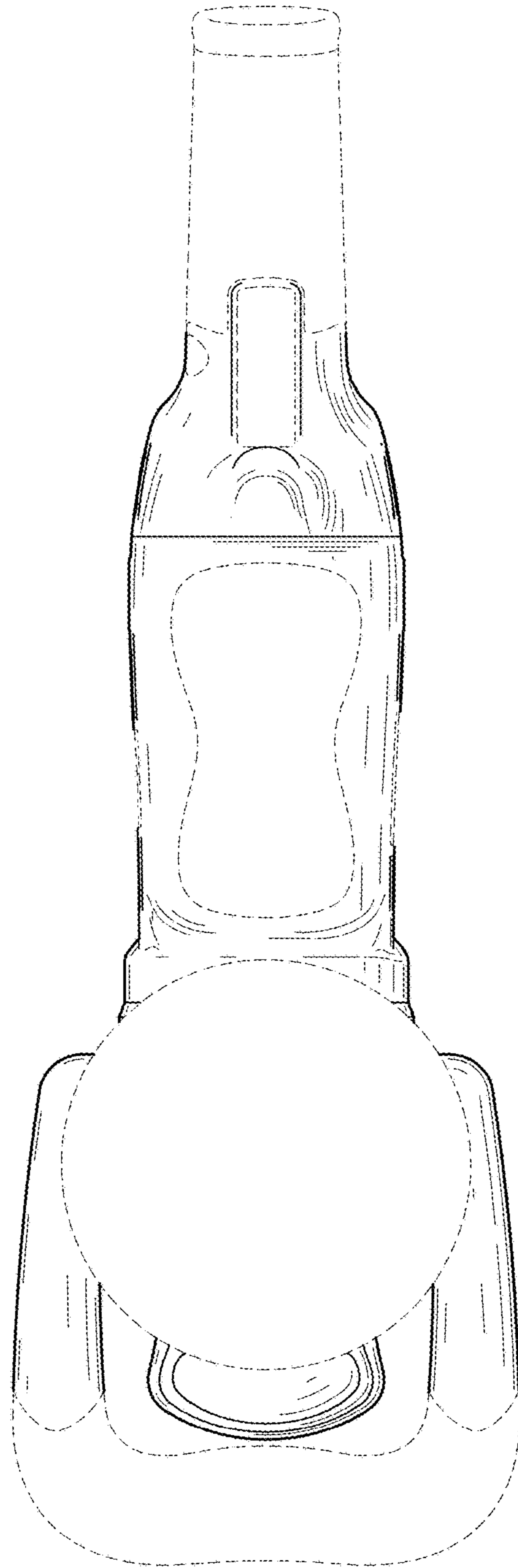


FIG. 5

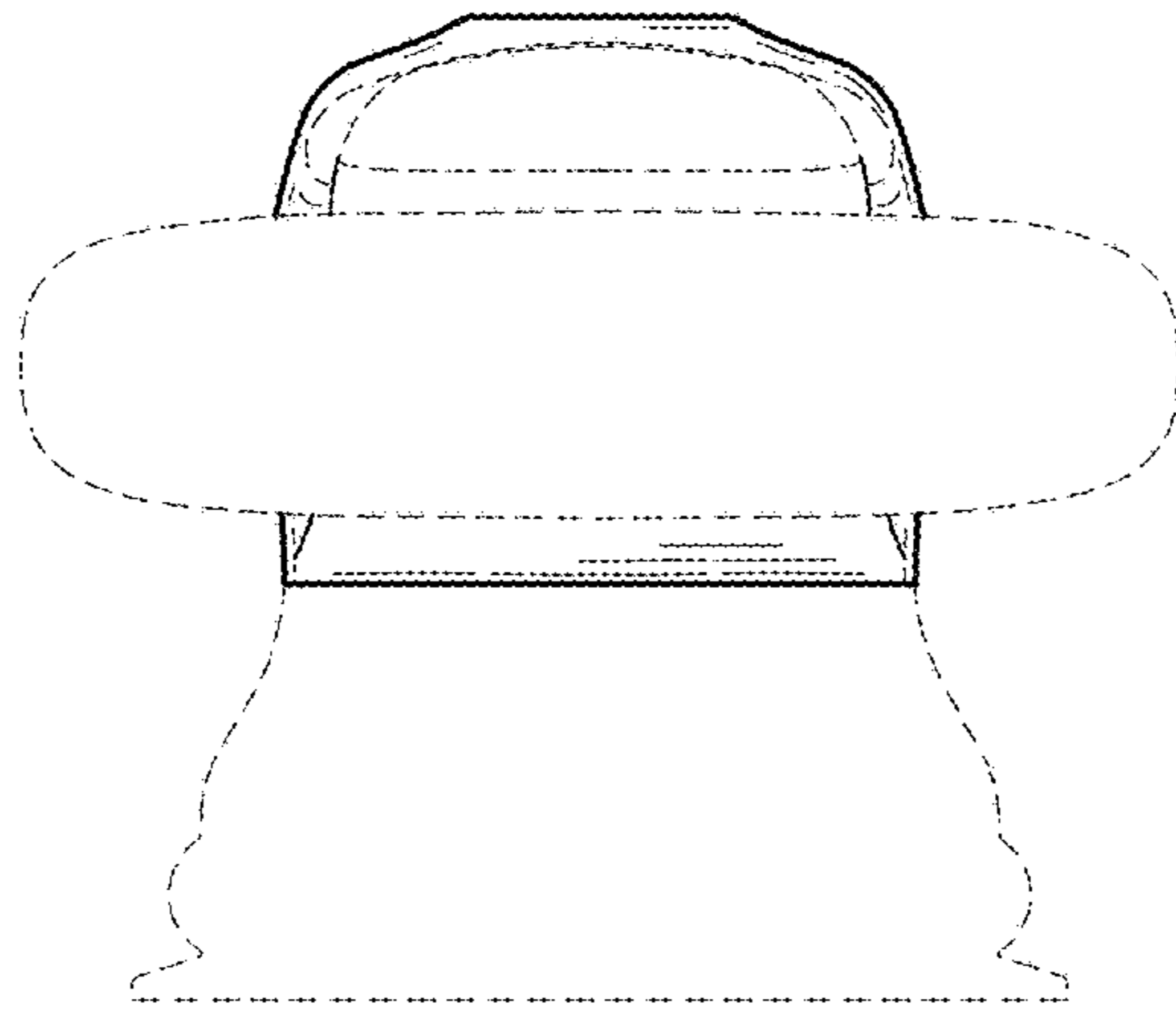


FIG. 6

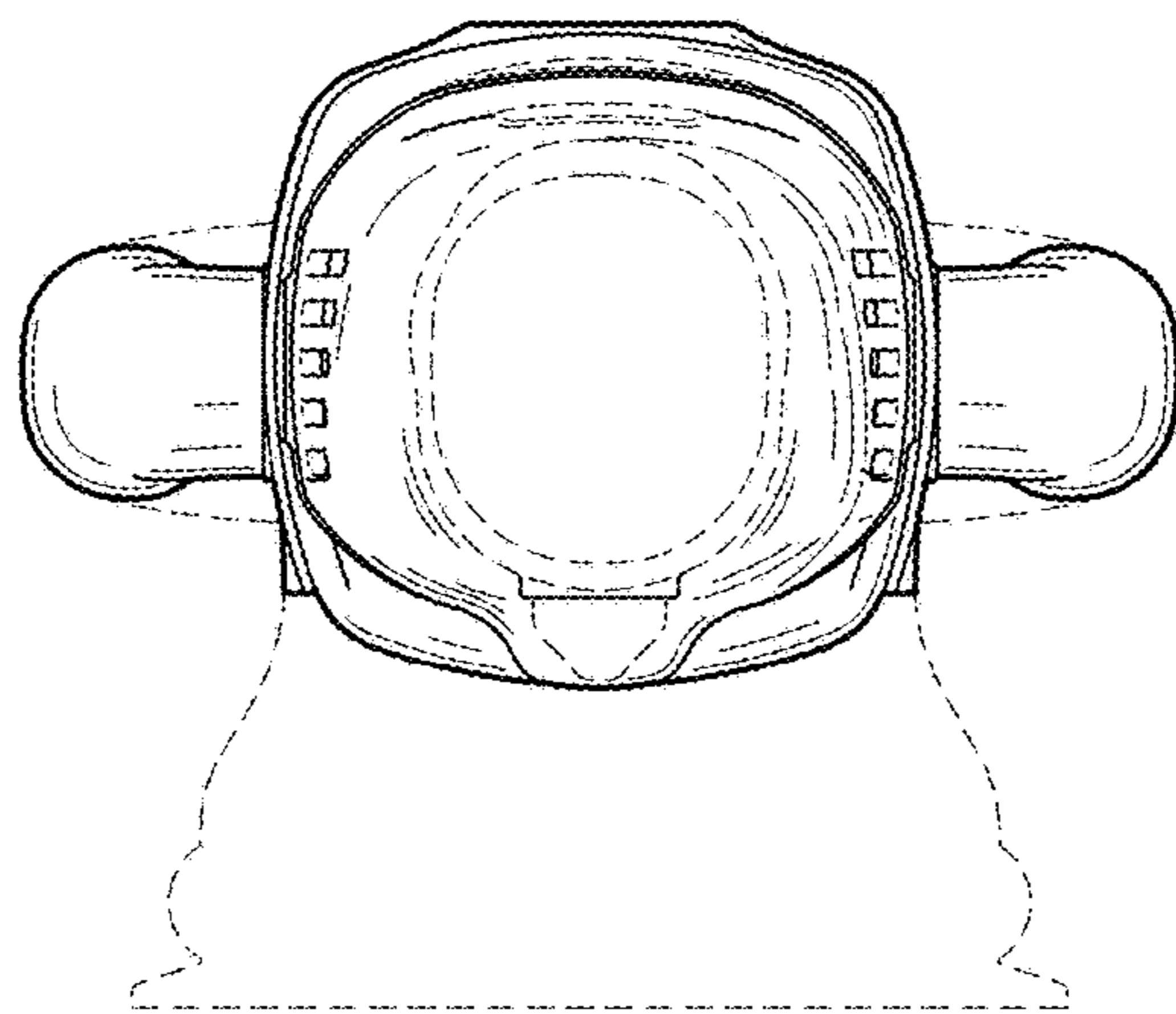


FIG. 7



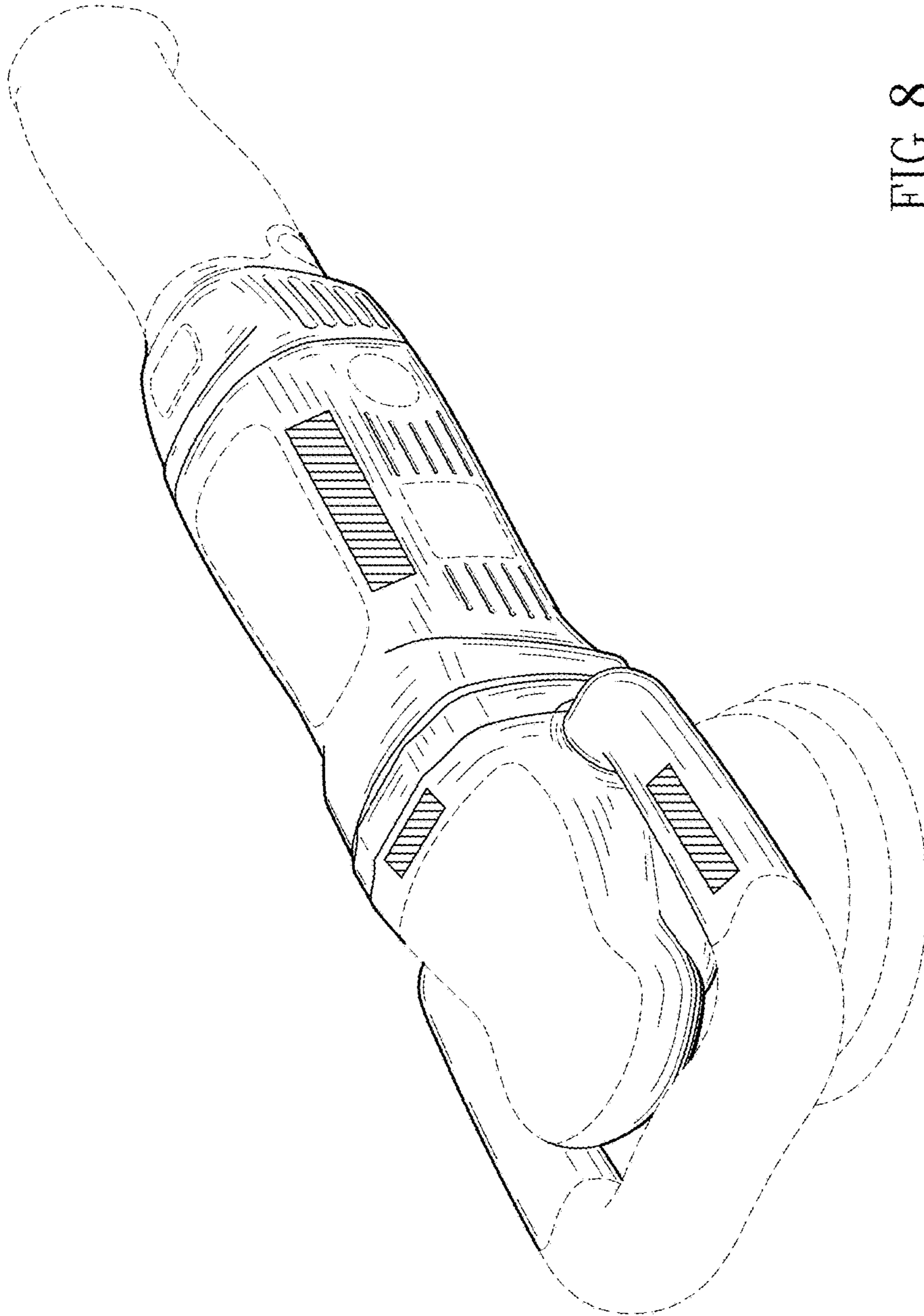


FIG. 8

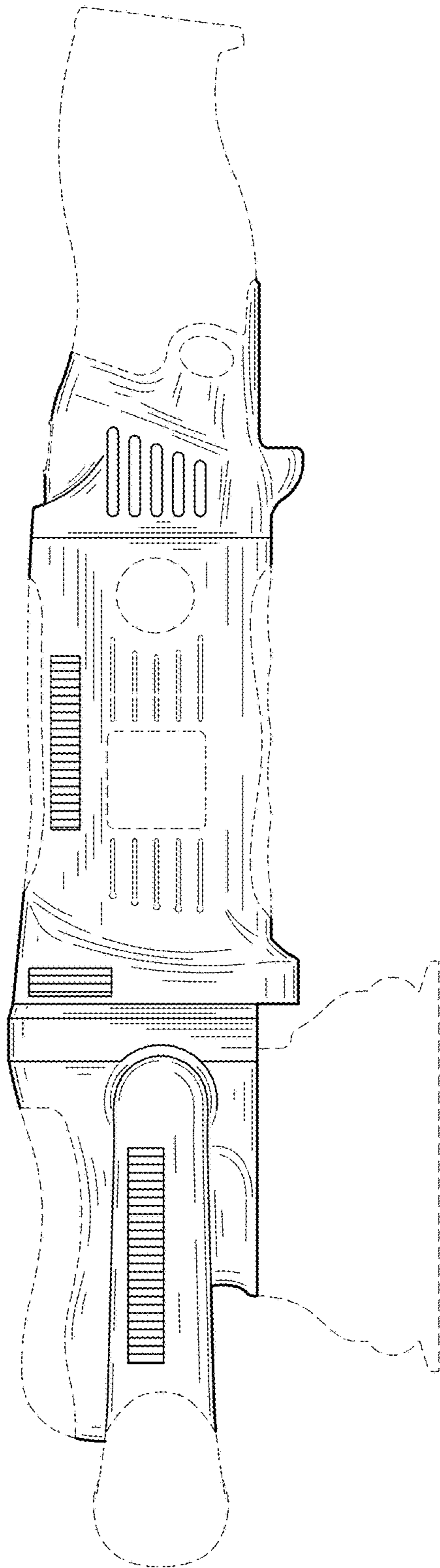


FIG. 9

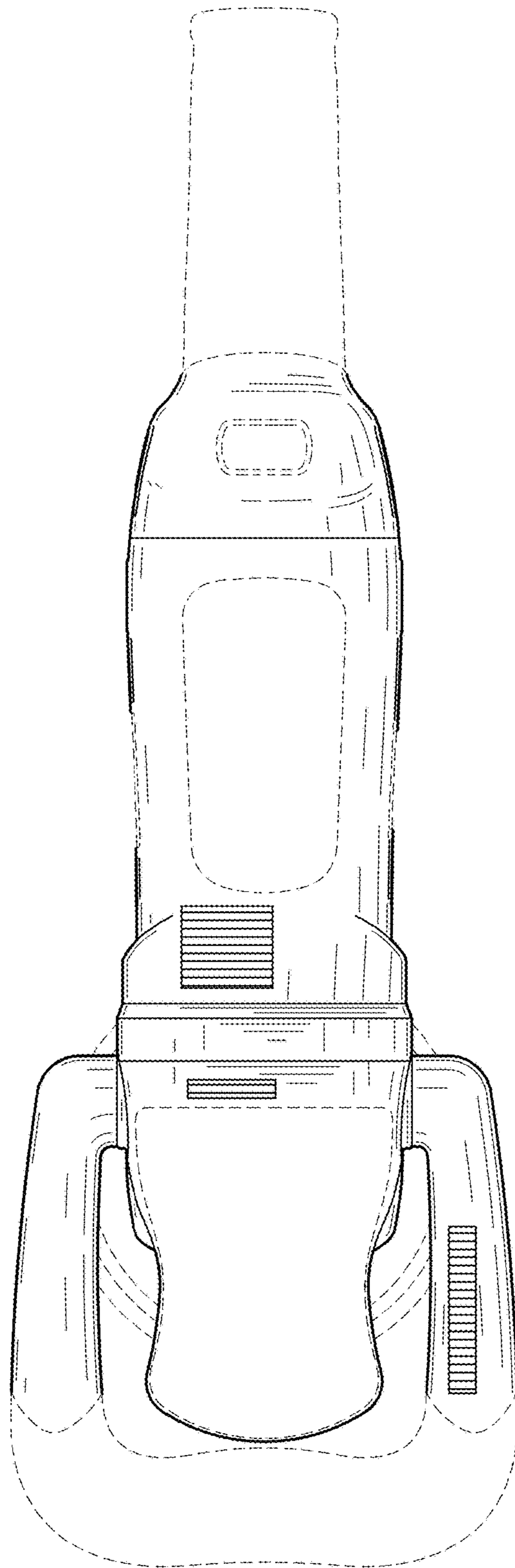


FIG. 10

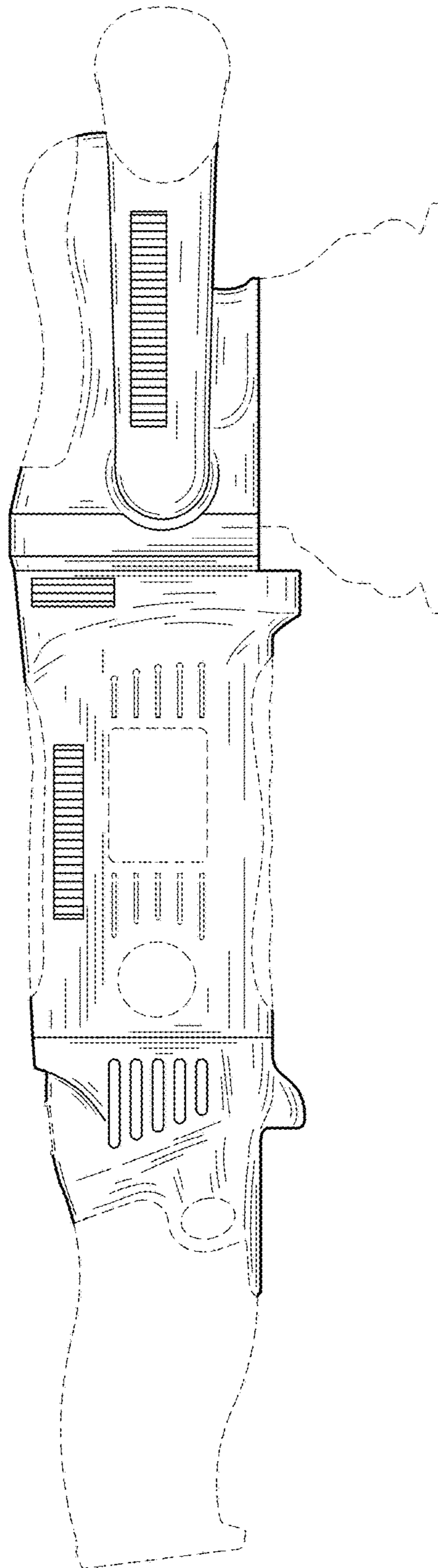


FIG. 11

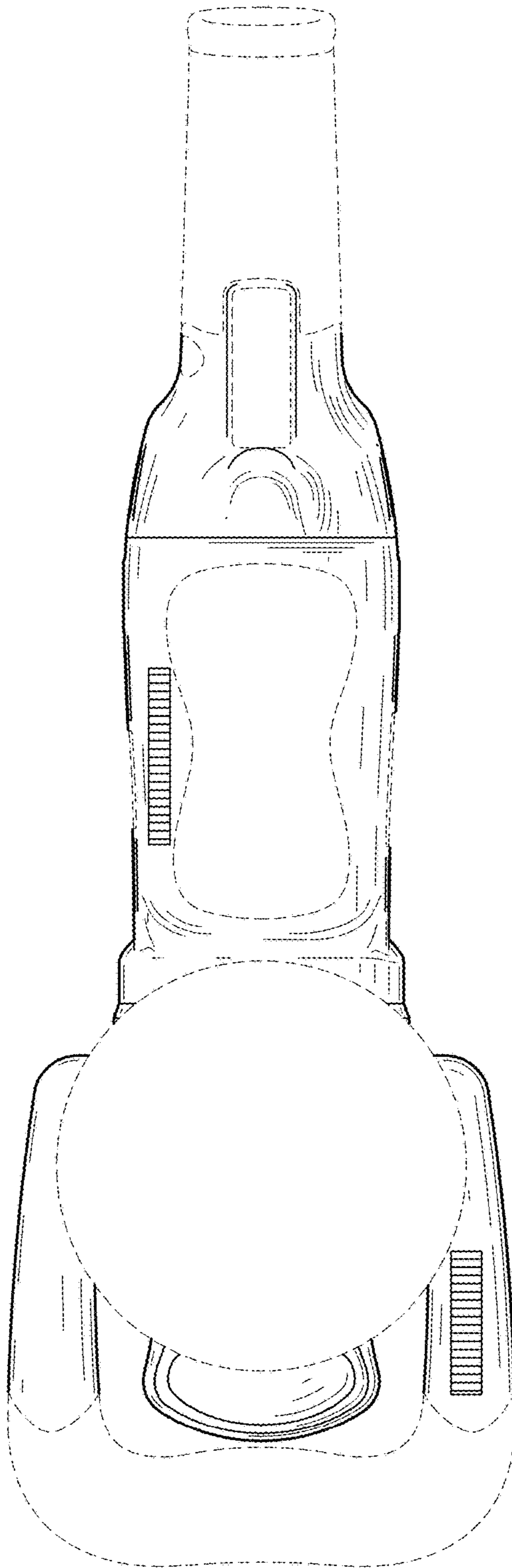


FIG. 12

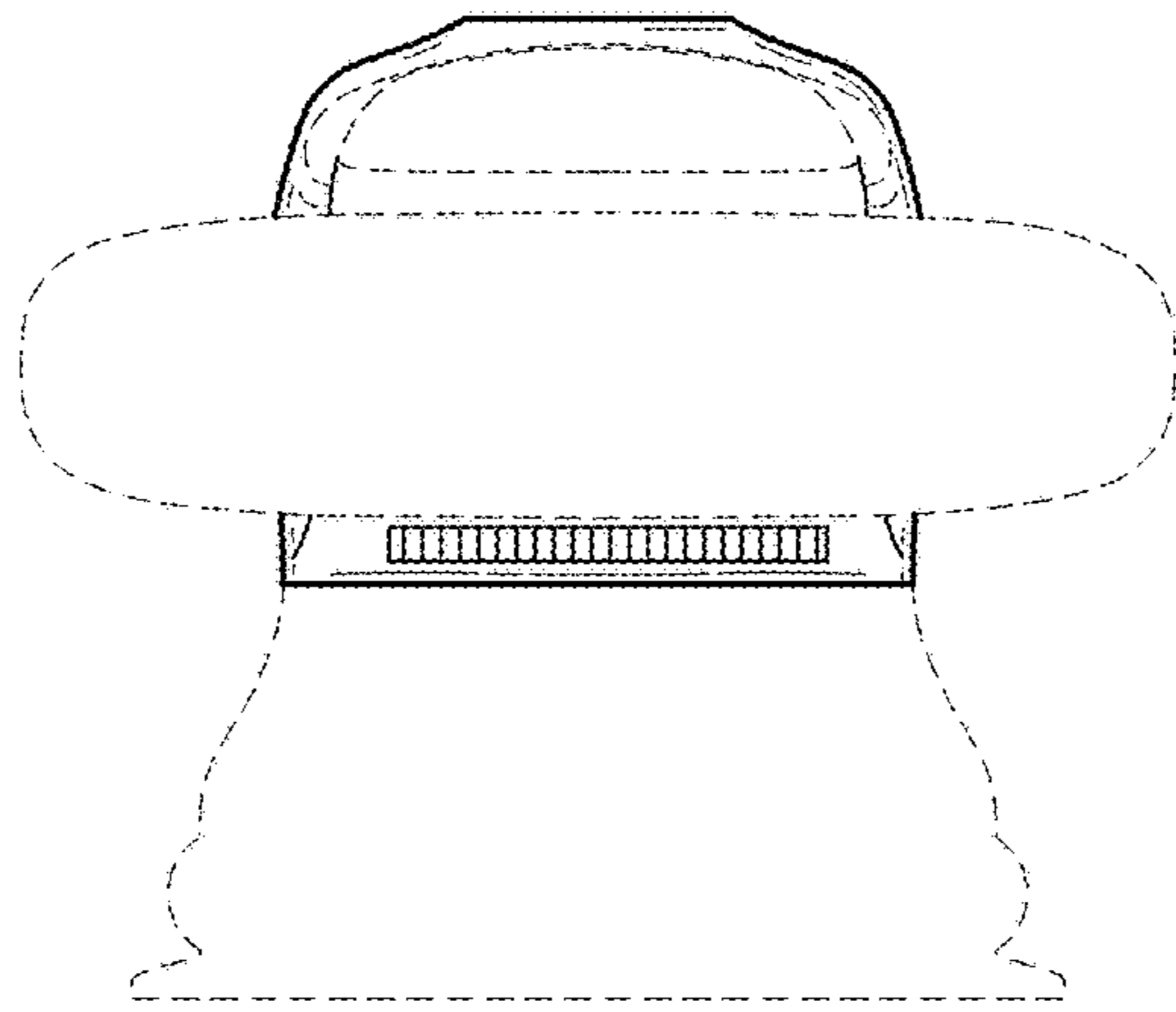


FIG. 13

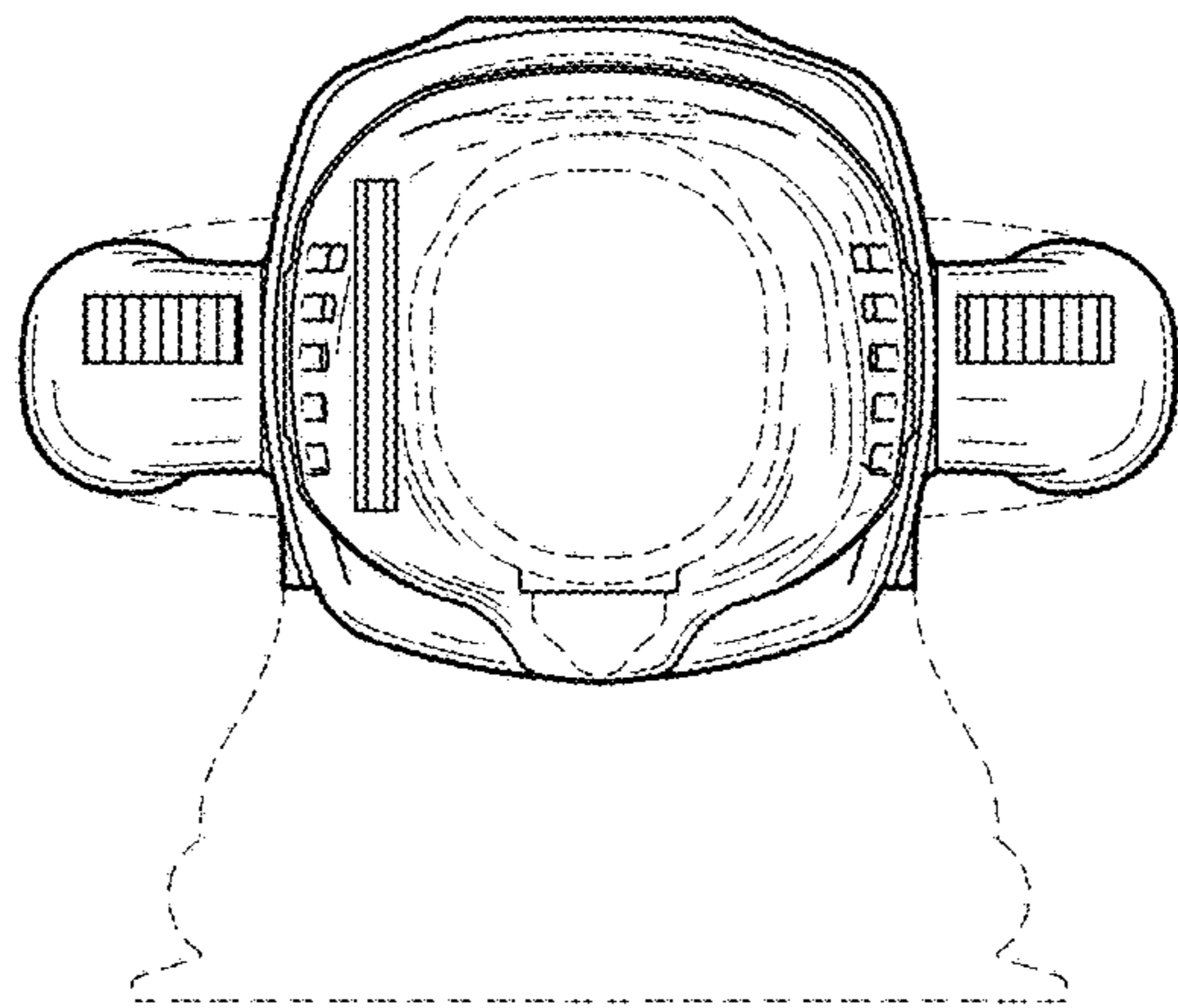


FIG. 14