



US00D859761S

(12) **United States Design Patent** (10) **Patent No.:** **US D859,761 S**
Brown et al. (45) **Date of Patent:** **** Sep. 10, 2019**

- (54) **POLISHER**
- (71) Applicant: **Griot's Garage, Inc.**, Tacoma, WA (US)
- (72) Inventors: **Jeffrey L. Brown**, Savage, MN (US); **Richard L. Griot**, Tacoma, WA (US)
- (73) Assignee: **Griot's Garage, Inc.**, Tacoma, WA (US)
- (**) Term: **15 Years**
- (21) Appl. No.: **29/602,683**
- (22) Filed: **May 2, 2017**

- D353,310 S 12/1994 Izumisawa
- D354,424 S * 1/1995 Izumisawa D8/62
- D368,343 S * 3/1996 Gebhard D24/215
- D377,892 S 2/1997 Sung
- D381,248 S 7/1997 Sung
- D392,778 S 3/1998 McCracken
- D413,445 S * 9/1999 deBlois D4/102

(Continued)

Primary Examiner — Michelle E. Wilson
(74) *Attorney, Agent, or Firm* — Davis Wright Tremaine LLP; George C. Rondeau, Jr.

Related U.S. Application Data

- (62) Division of application No. 29/501,870, filed on Sep. 9, 2014, now Pat. No. Des. 792,666.
- (51) **LOC (12) Cl.** **04-03**
- (52) **U.S. Cl.**
USPC **D32/19**
- (58) **Field of Classification Search**
USPC ... D32/1, 15, 16, 17, 19, 20, 21, 22, 18, 25,
D32/31; D4/102, 100, 127, 129; D8/61,
D8/62
CPC B24B 29/00; B24B 29/005; B24B 31/003;
B08B 9/023
See application file for complete search history.

References Cited

U.S. PATENT DOCUMENTS

- 2,553,688 A * 5/1951 Thompson B24B 23/028
451/344
- 4,102,084 A 7/1978 Bloomquist
- D273,173 S 3/1984 Poon
- D330,151 S * 10/1992 Fisher D8/62
- D332,558 S * 1/1993 Hoshino D8/62
- 5,187,827 A * 2/1993 Wei A46B 13/06
15/22.1
- D338,754 S 8/1993 Skrzypek

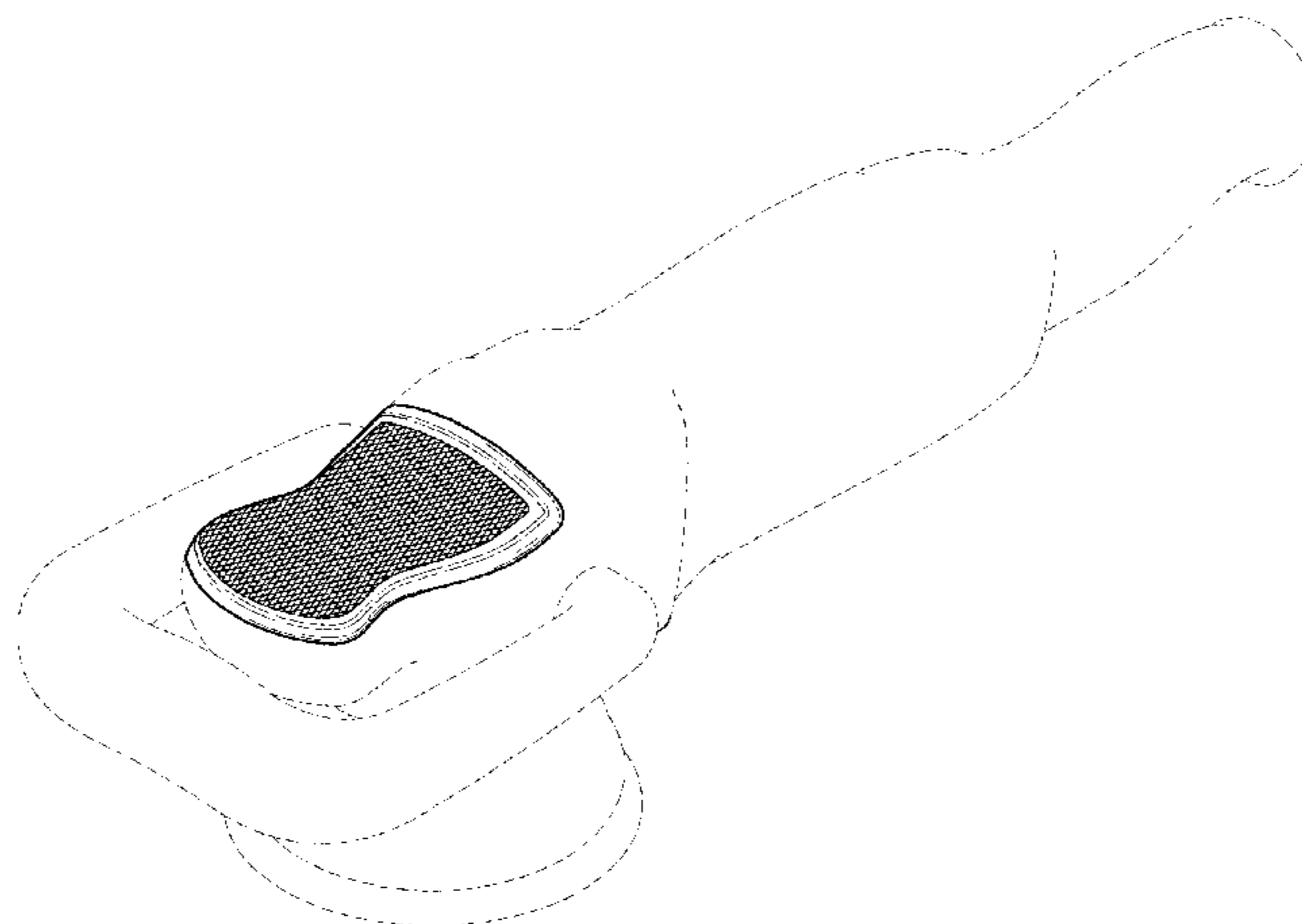
(57) **CLAIM**

The ornamental design for a polisher, as shown and described.

DESCRIPTION

FIG. 1 is a top perspective view of a polisher showing our new design.
 FIG. 2 is a left side elevational view thereof.
 FIG. 3 is a top plan view thereof.
 FIG. 4 is a right side elevational view thereof.
 FIG. 5 is a bottom plan view thereof.
 FIG. 6 is a front elevational view thereof.
 FIG. 7 is a rear elevational view thereof.
 FIG. 8 is a top perspective view of a second embodiment thereof.
 FIG. 9 is a left side elevational view thereof.
 FIG. 10 is a top plan view thereof.
 FIG. 11 is a right side elevational view thereof.
 FIG. 12 is a bottom plan view thereof.
 FIG. 13 is a front elevational view thereof; and,
 FIG. 14 is a rear elevational view thereof.
 The FIGS. 8-14 drawings are partially lined for the color black, however, the black color extends across the entire portion of the polisher shown in solid line.
 The broken lines represent portions of the polisher that form no part of the claim.

1 Claim, 12 Drawing Sheets



(56)

References Cited

U.S. PATENT DOCUMENTS

5,978,999	A *	11/1999	deBlois	A46B 13/008	
					15/22.1
D431,437	S *	10/2000	Niwa	D8/62	
D443,397	S	6/2001	Williams		
6,342,002	B1	1/2002	Wang		
D471,329	S	3/2003	Heun		
D475,489	S	6/2003	McLelland		
D511,953	S	11/2005	Janson		
D520,688	S *	5/2006	Bakker	D32/19	
D525,752	S	7/2006	Bakker		
D526,869	S	8/2006	Heun		
D529,244	S *	9/2006	Main	D32/19	
D534,323	S *	12/2006	Hong	D32/19	
D538,490	S *	3/2007	Hong	D32/15	
D546,155	S	7/2007	Wu		
D548,901	S *	8/2007	Hong	D32/19	
D569,056	S	5/2008	Zhu		
D590,553	S *	4/2009	Crevling, Jr.	D32/32	
D596,362	S *	7/2009	Crevling, Jr.	D32/33	
9,387,578	B2	7/2016	Kuehne		
D792,666	S *	7/2017	Brown	D32/19	

* cited by examiner

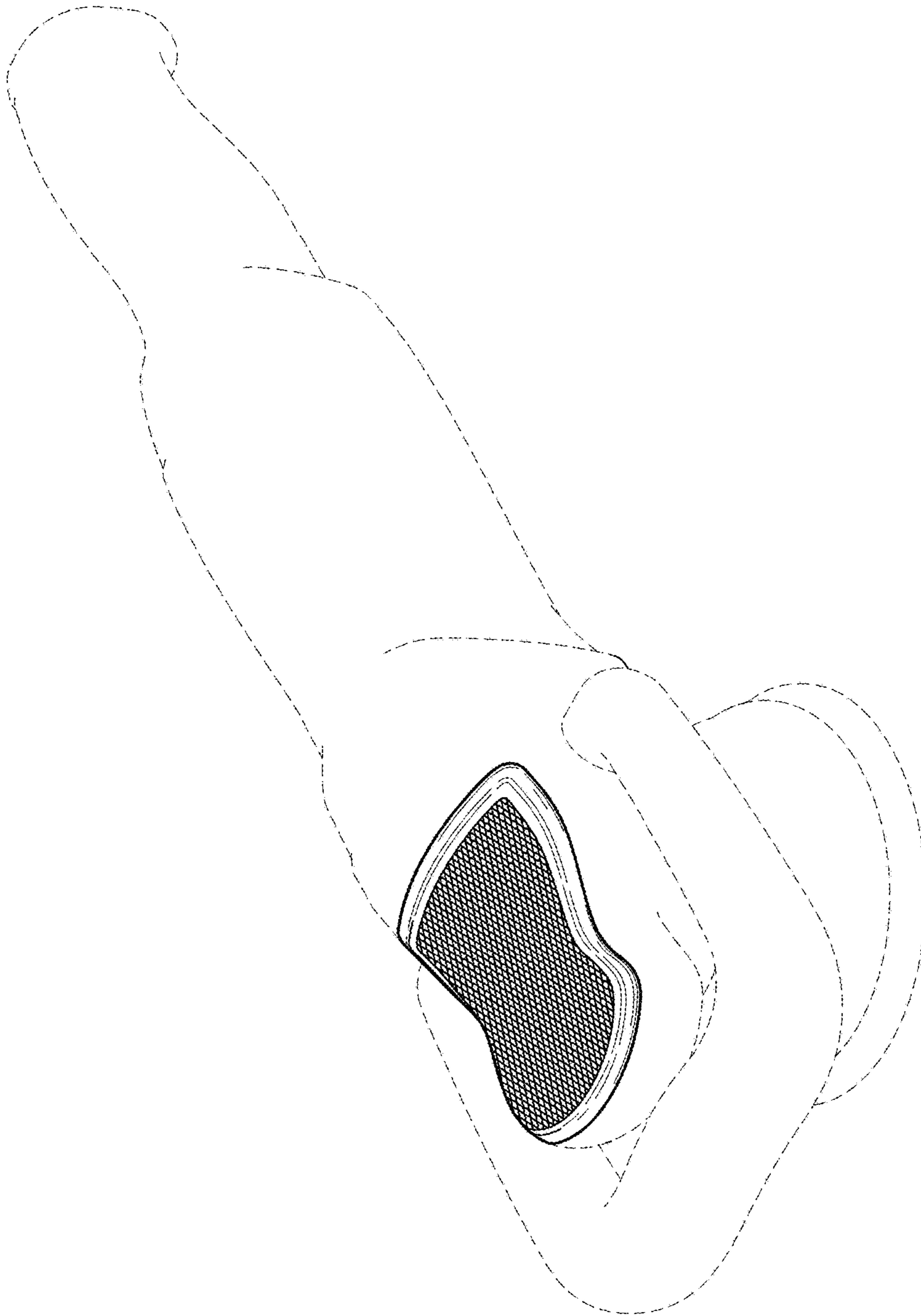


FIG. 1

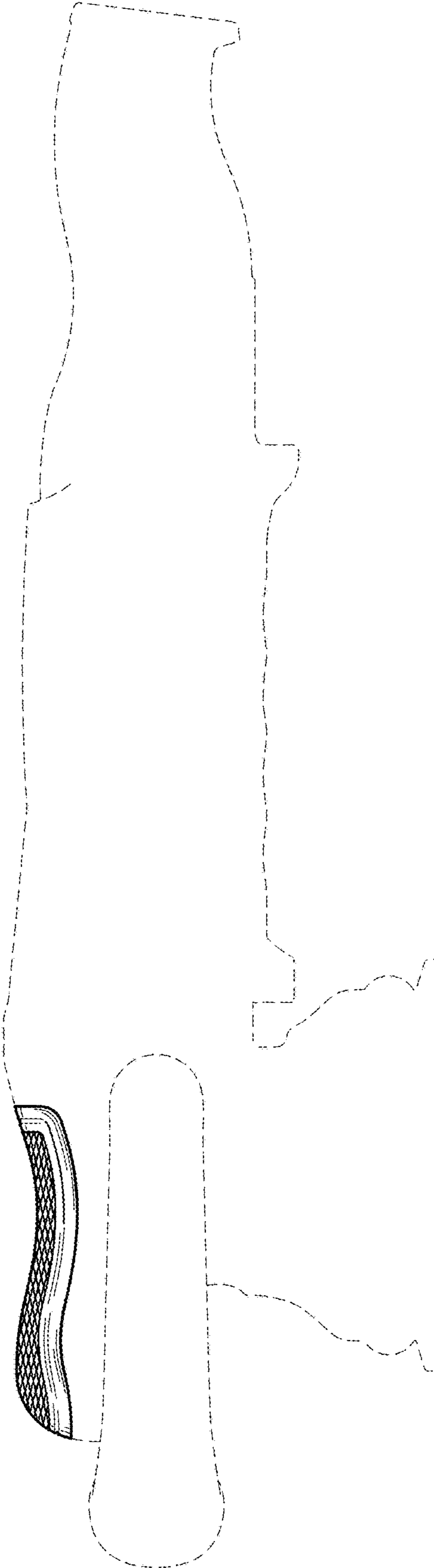


FIG.2

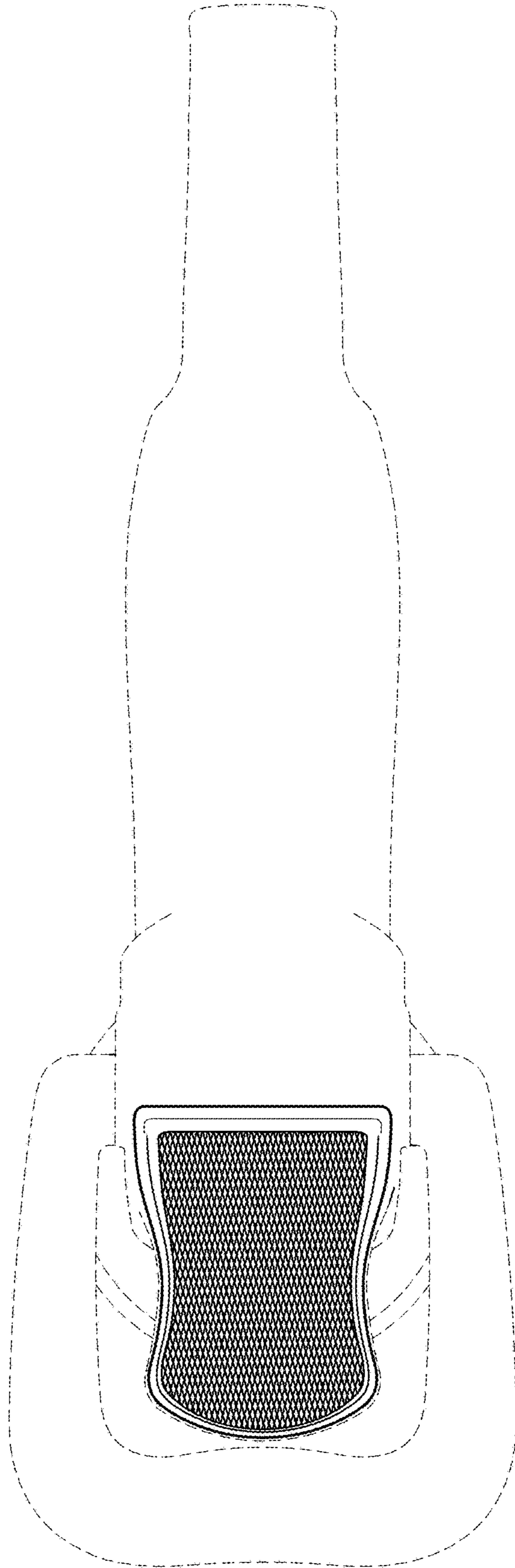


FIG. 3



FIG.4

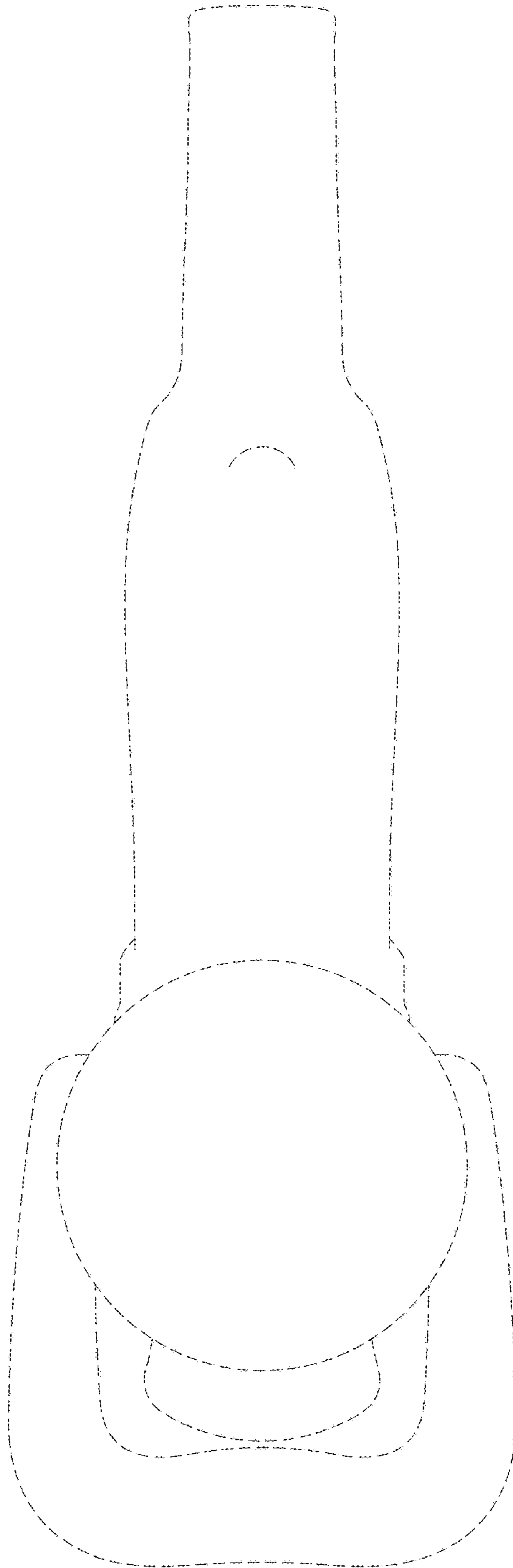


FIG. 5

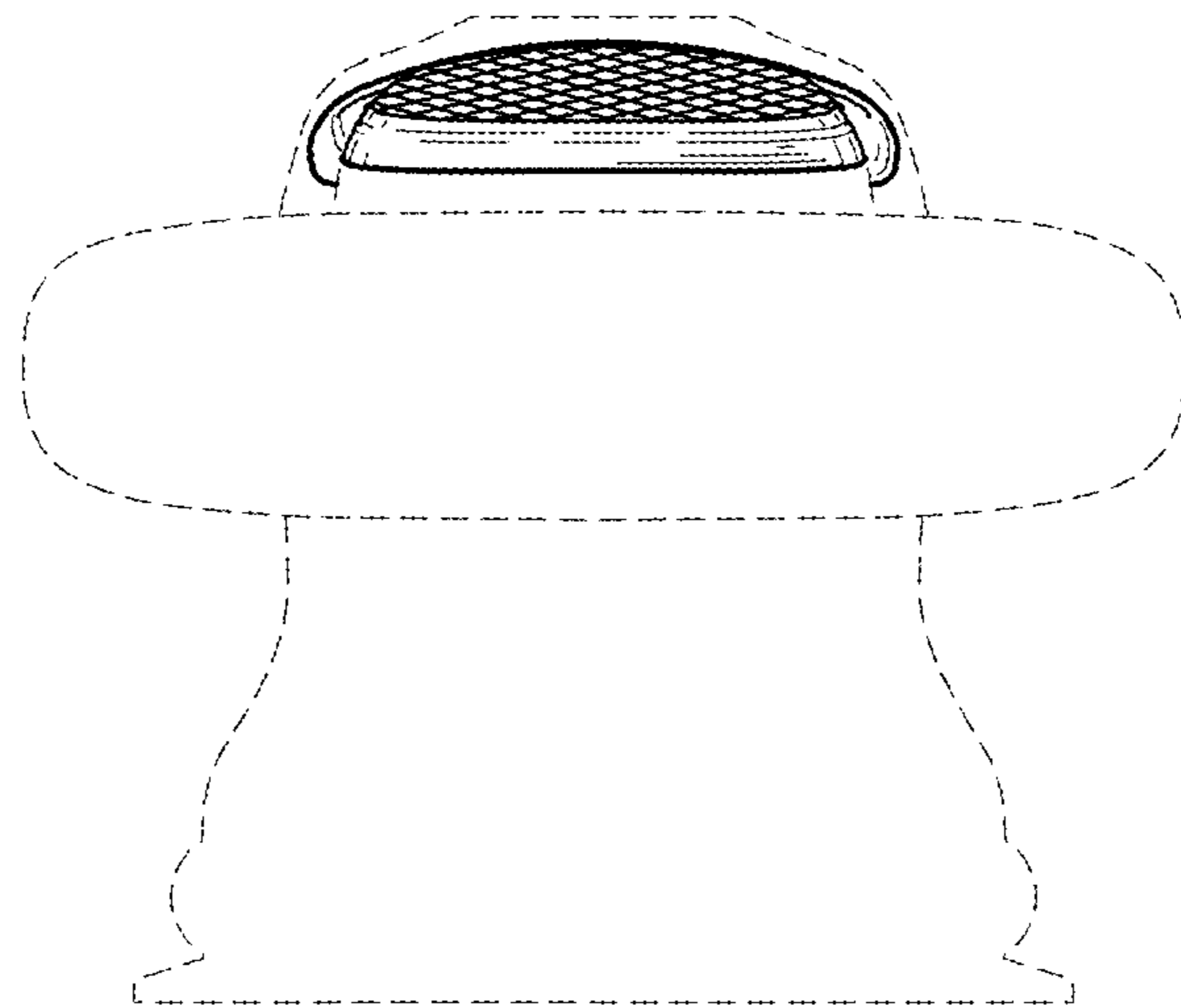


FIG. 6

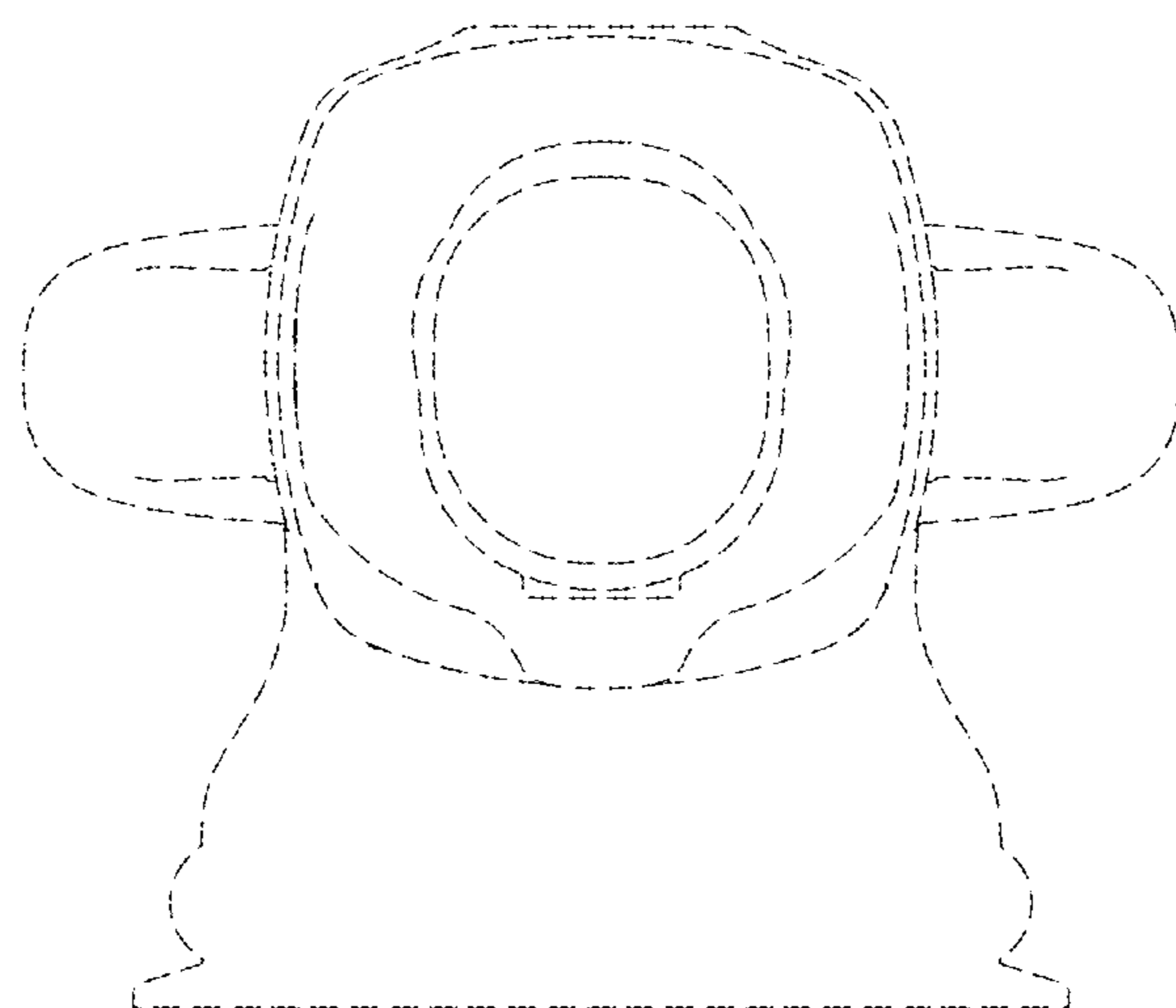


FIG. 7

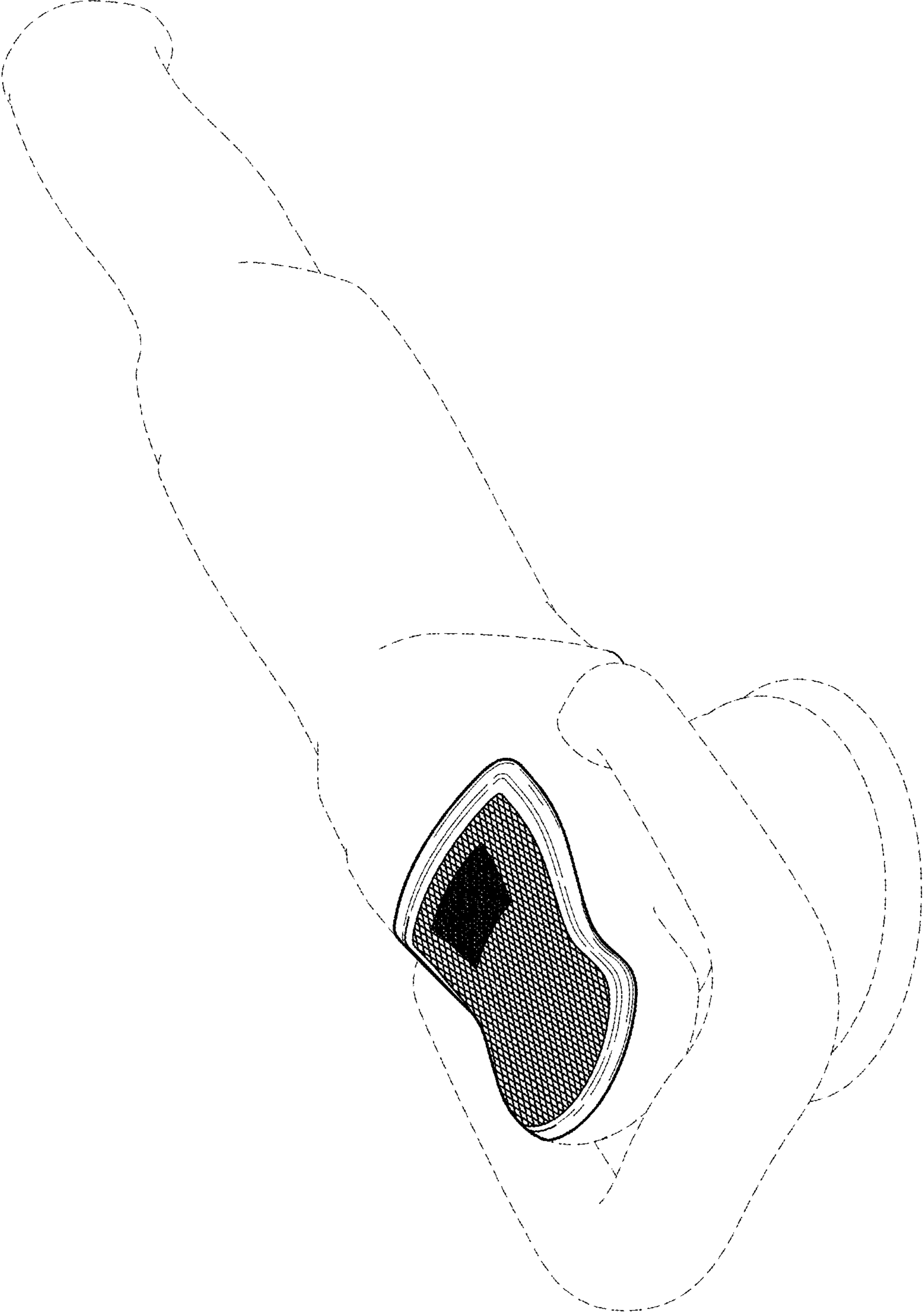


FIG. 8

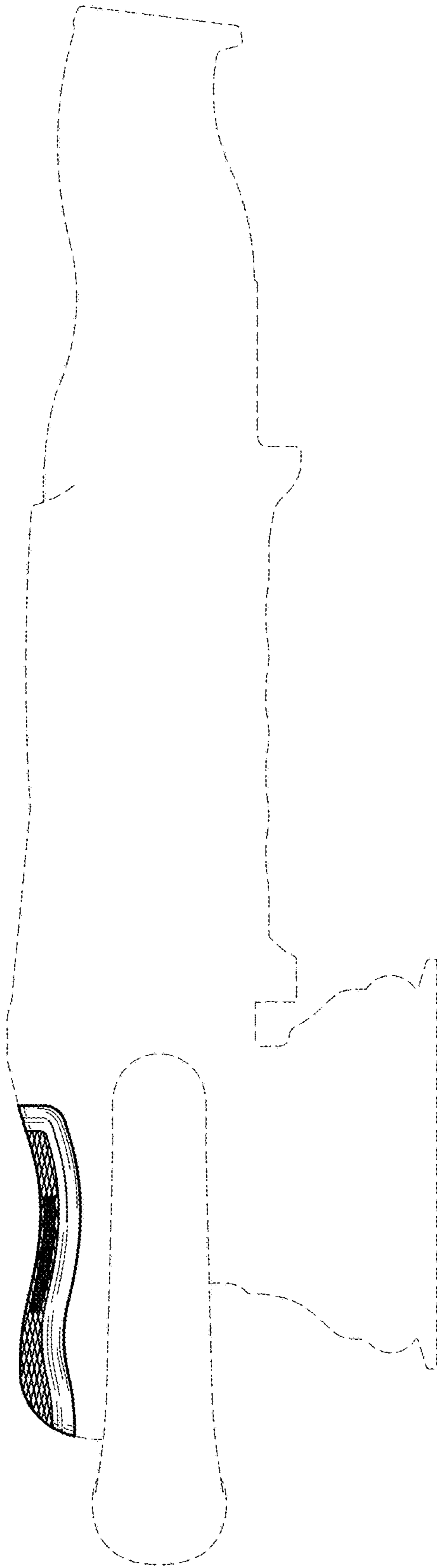


FIG. 9

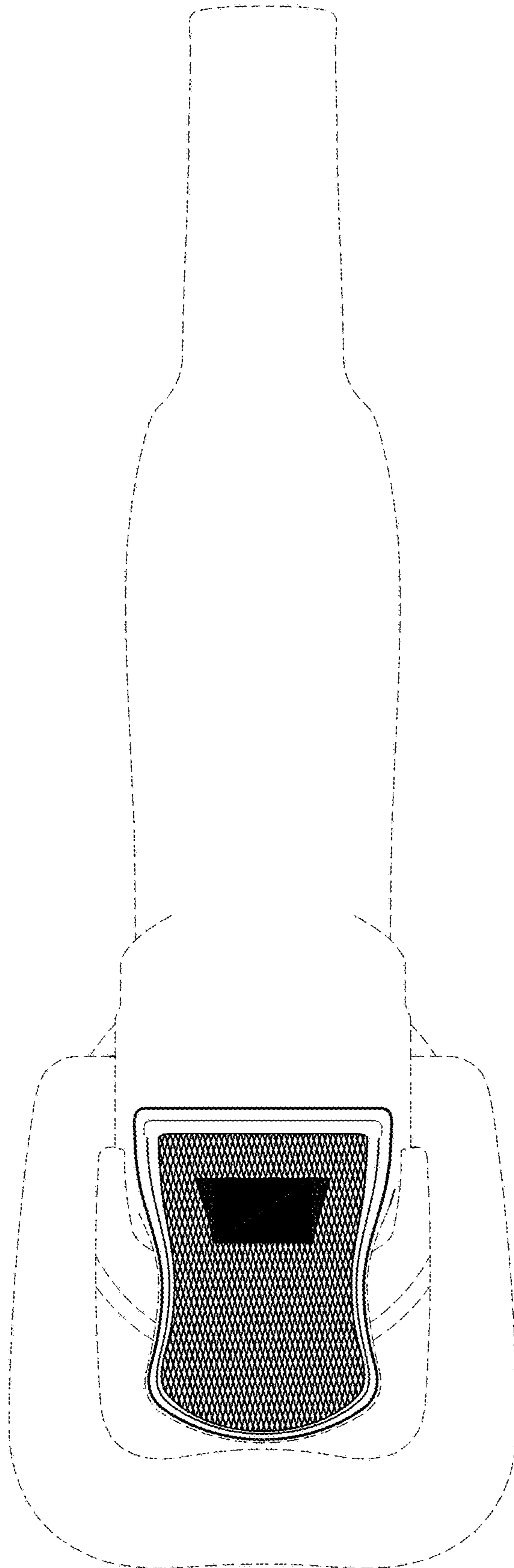


FIG.10



FIG.11

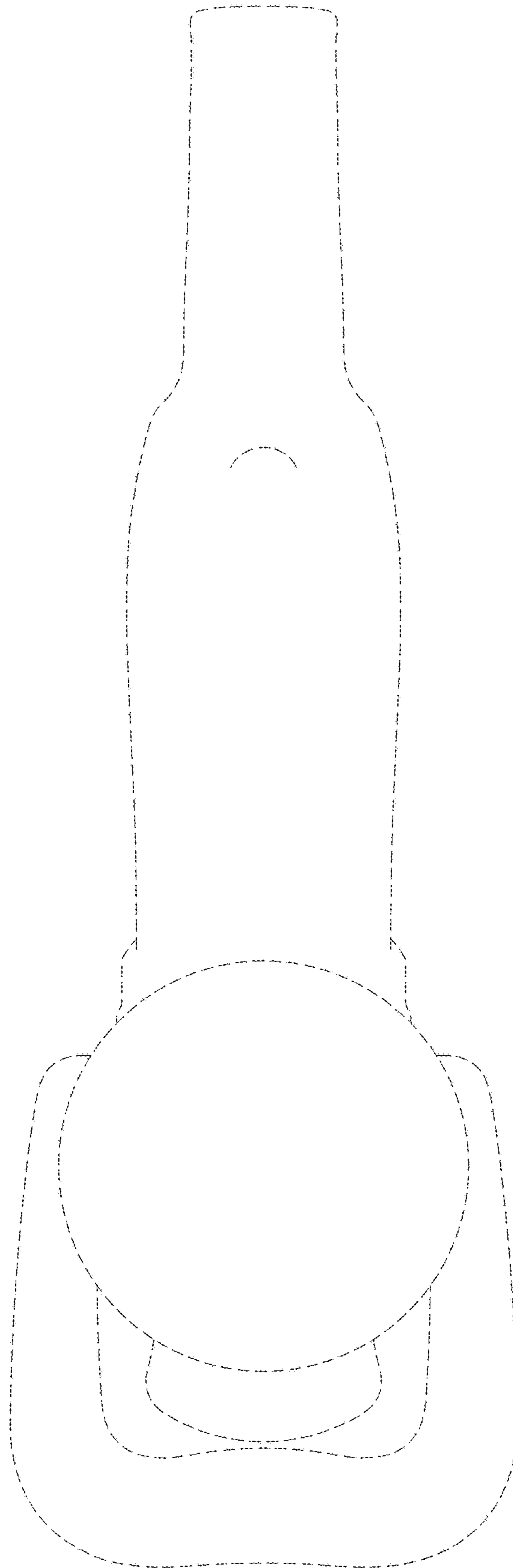


FIG.12

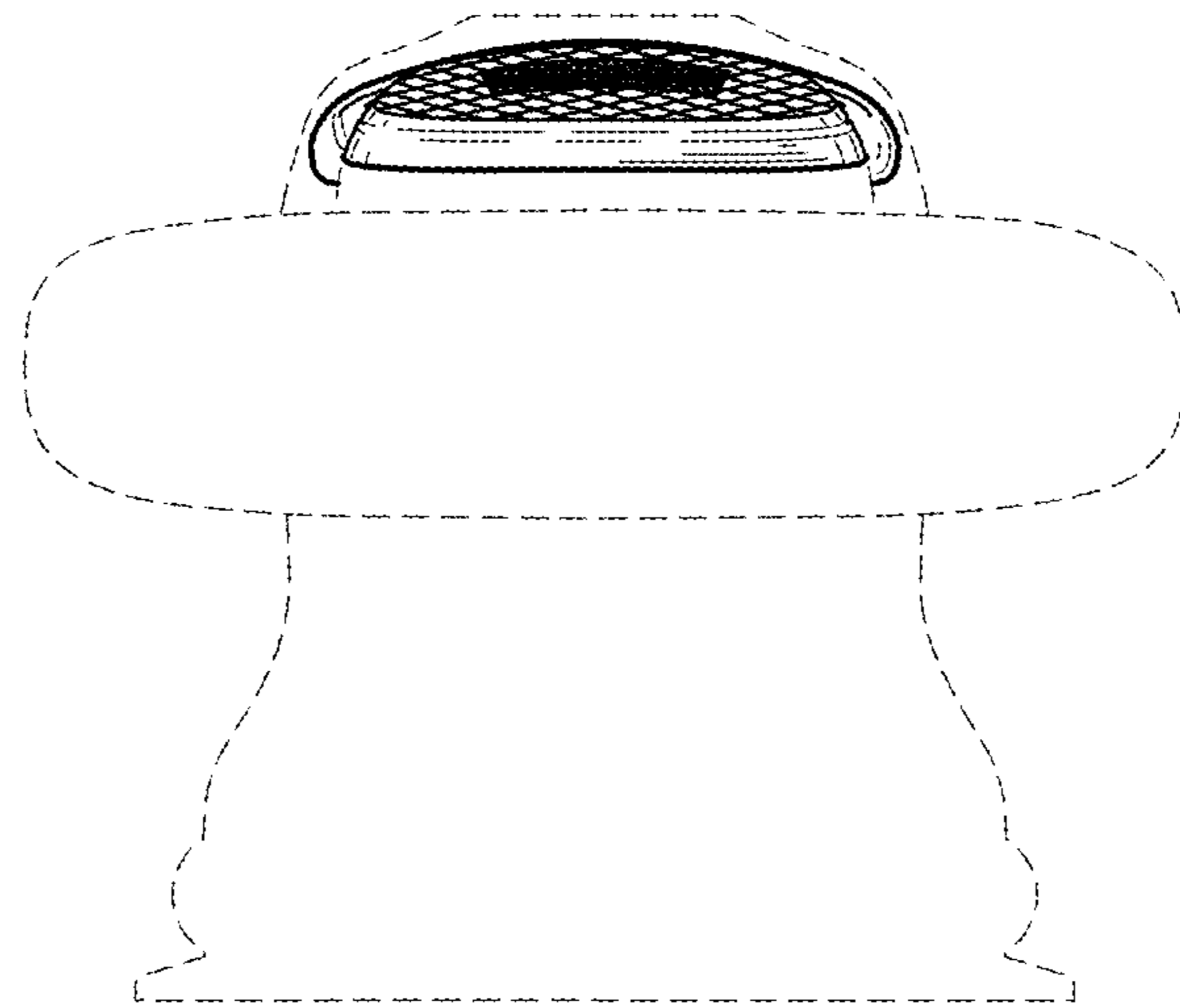


FIG.13

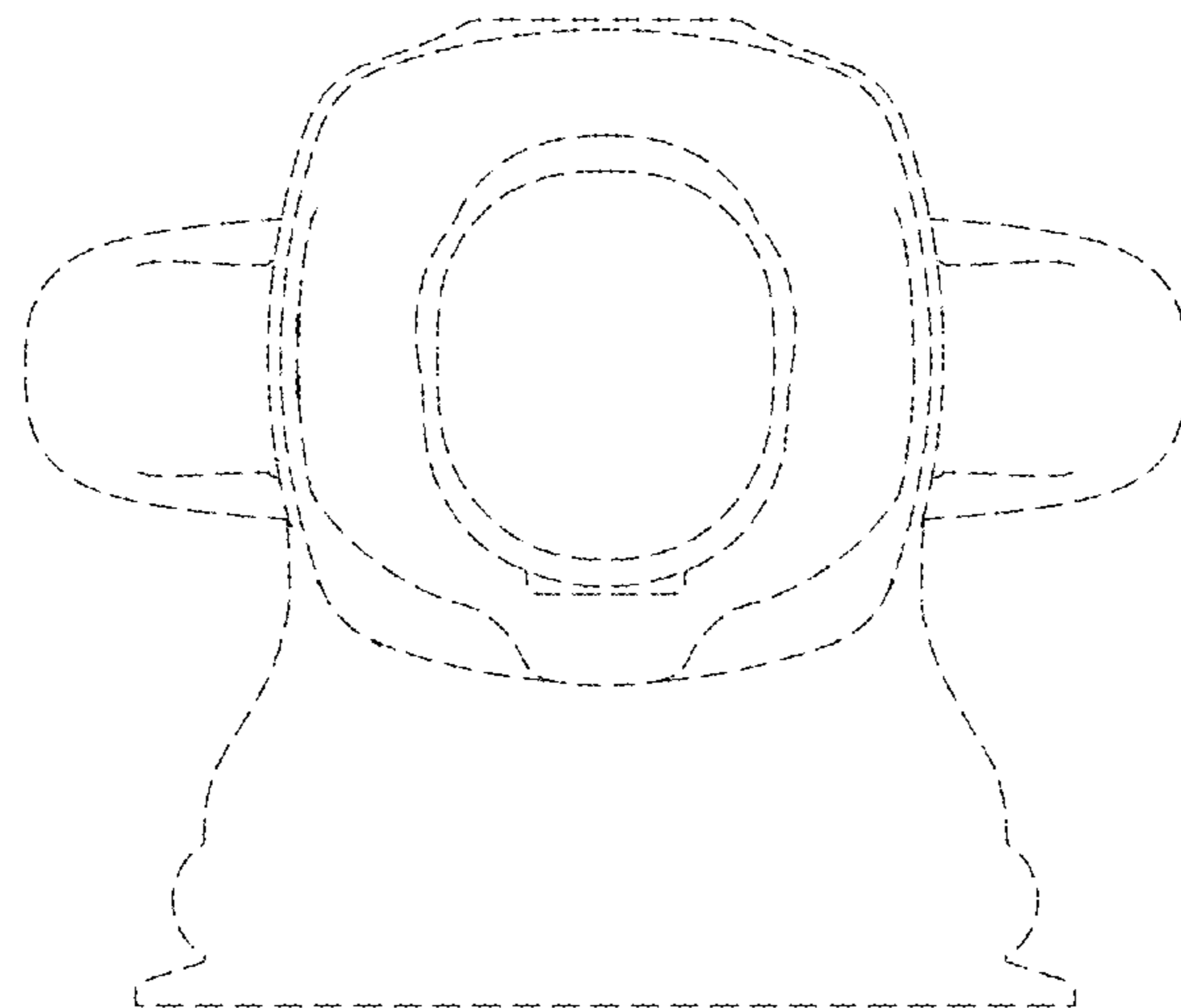


FIG.14