



US00D859760S

(12) **United States Design Patent** (10) **Patent No.:** **US D859,760 S**
Ayers et al. (45) **Date of Patent:** **** Sep. 10, 2019**

(54) **DRYER**

(56) **References Cited**

(71) Applicant: **WHIRLPOOL CORPORATION**,
Benton Harbor, MI (US)

(72) Inventors: **Kevin B. Ayers**, St. Joseph, MI (US);
Abhijeet Bhattacharya, Lehi, UT
(US); **Seth E. Bixby**, Stevensville, MI
(US); **Andrew Kubasiak**, St. Joseph,
MI (US); **Michael R. Mackay**, St.
Joseph, MI (US); **Dave Miller**, Zeeland,
MI (US)

U.S. PATENT DOCUMENTS

D285,013 S *	8/1986	Nakamura	D32/8
D575,464 S *	8/2008	Rossetto	D32/8
D589,215 S	3/2009	Cho et al.	
D618,865 S	6/2010	Cline et al.	
D627,115 S	11/2010	Jeon et al.	
D630,807 S *	1/2011	Song	D32/6
D631,623 S	1/2011	Chung et al.	
D651,778 S *	1/2012	Miller	D32/25
D681,892 S	5/2013	Meda et al.	
D699,906 S *	2/2014	Choi	D32/25
D700,410 S *	2/2014	Hwang	D32/25
D701,659 S *	3/2014	Choi	D32/8
D703,887 S	4/2014	Lee et al.	
D708,800 S	7/2014	Choi et al.	
D718,505 S	11/2014	Hyoungsub et al.	
D730,597 S *	5/2015	Jeon	D32/8

(73) Assignee: **Whirlpool Corporation**, Benton
Harbor, MI (US)

(**) Term: **15 Years**

(21) Appl. No.: **29/673,793**

(22) Filed: **Dec. 18, 2018**

Primary Examiner — Ian Simmons
Assistant Examiner — Yolanda Robinson
(74) *Attorney, Agent, or Firm* — Price Heneveld LLP

(57) **CLAIM**

The ornamental design for a dryer, as shown and described.

Related U.S. Application Data

(62) Division of application No. 29/657,457, filed on Jul.
23, 2018, now Pat. No. Des. 841,908, which is a
division of application No. 29/539,919, filed on Sep.
18, 2015, now Pat. No. Des. 826,494.

(51) **LOC (12) Cl.** **15-05**

(52) **U.S. Cl.**
USPC **D32/15**

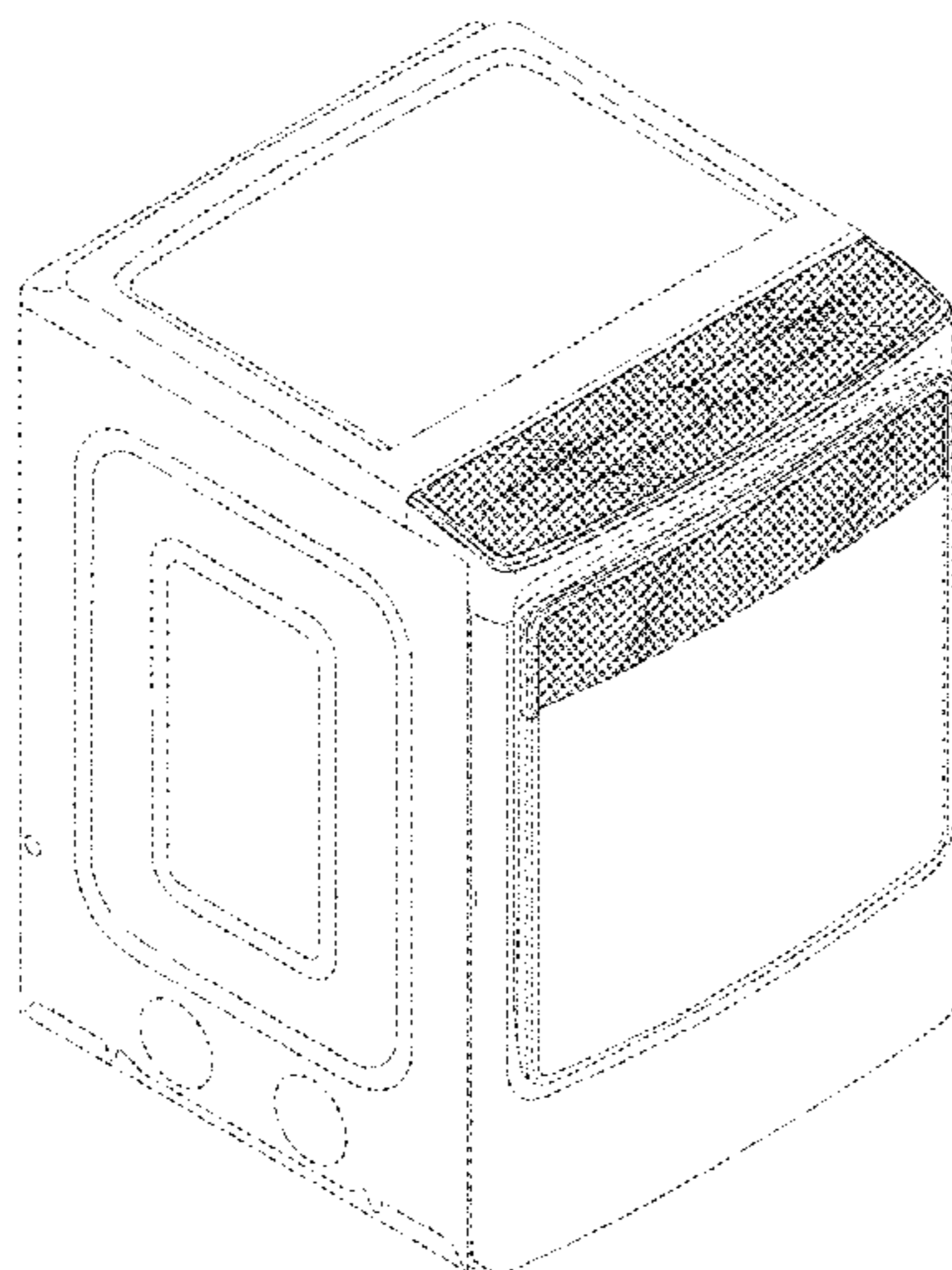
(58) **Field of Classification Search**
USPC D32/1-6, 8, 10, 25, 28; 34/595, 597,
34/108, 130, 132; 8/137; 220/810;
312/225, 228, 236, 294, 326
CPC D06F 39/028; D06F 37/28; D06F 39/14;
D06F 33/02; D06F 58/00

See application file for complete search history.

DESCRIPTION

FIG. 1 is a front-left perspective view of a dryer according
to our design;
FIG. 2 is a front elevation view thereof;
FIG. 3 is a back elevation view thereof;
FIG. 4 is a left side elevation view thereof;
FIG. 5 is a right side elevation view thereof;
FIG. 6 is a top plan view thereof; and,
FIG. 7 is a bottom plan view thereof.
The broken line showing of various features is for the
purpose of illustrating unclaimed portions of the washing
machine and forms no part of the claimed design.
Dash-dot lines adjacent un-shaded areas represent bounds of
the claimed design and form no part thereof.
Diagonal shading is used to represent transparency.

1 Claim, 7 Drawing Sheets



(56)

References Cited

U.S. PATENT DOCUMENTS

D754,937	S *	4/2016	Kim	D32/8
D758,030	S	5/2016	Bixby et al.	
D758,032	S	5/2016	Bixby et al.	
D760,968	S	7/2016	Choi et al.	
D772,506	S	11/2016	Bixby et al.	
D772,507	S	11/2016	Bixby et al.	
D778,010	S	1/2017	Choi et al.	
D795,512	S	8/2017	Joo et al.	
D798,005	S	9/2017	Bixby et al.	
D798,511	S	9/2017	Bixby et al.	
D812,325	S	3/2018	Bixby et al.	
D818,219	S *	5/2018	Bixby	D32/6
D826,494	S	8/2018	Ayers et al.	
D833,091	S *	11/2018	Ayers	D32/6
2009/0193678	A1	8/2009	Latack et al.	
2015/0123523	A1 *	5/2015	Woo	D06F 39/14 312/228
2015/0123525	A1 *	5/2015	Woo	D06F 39/14 312/228
2015/0191862	A1 *	7/2015	Kulkarni	D06F 58/04 34/108
2015/0233038	A1 *	8/2015	Lee	D06F 37/225 312/228
2018/0187366	A1	7/2018	Adkins et al.	

* cited by examiner

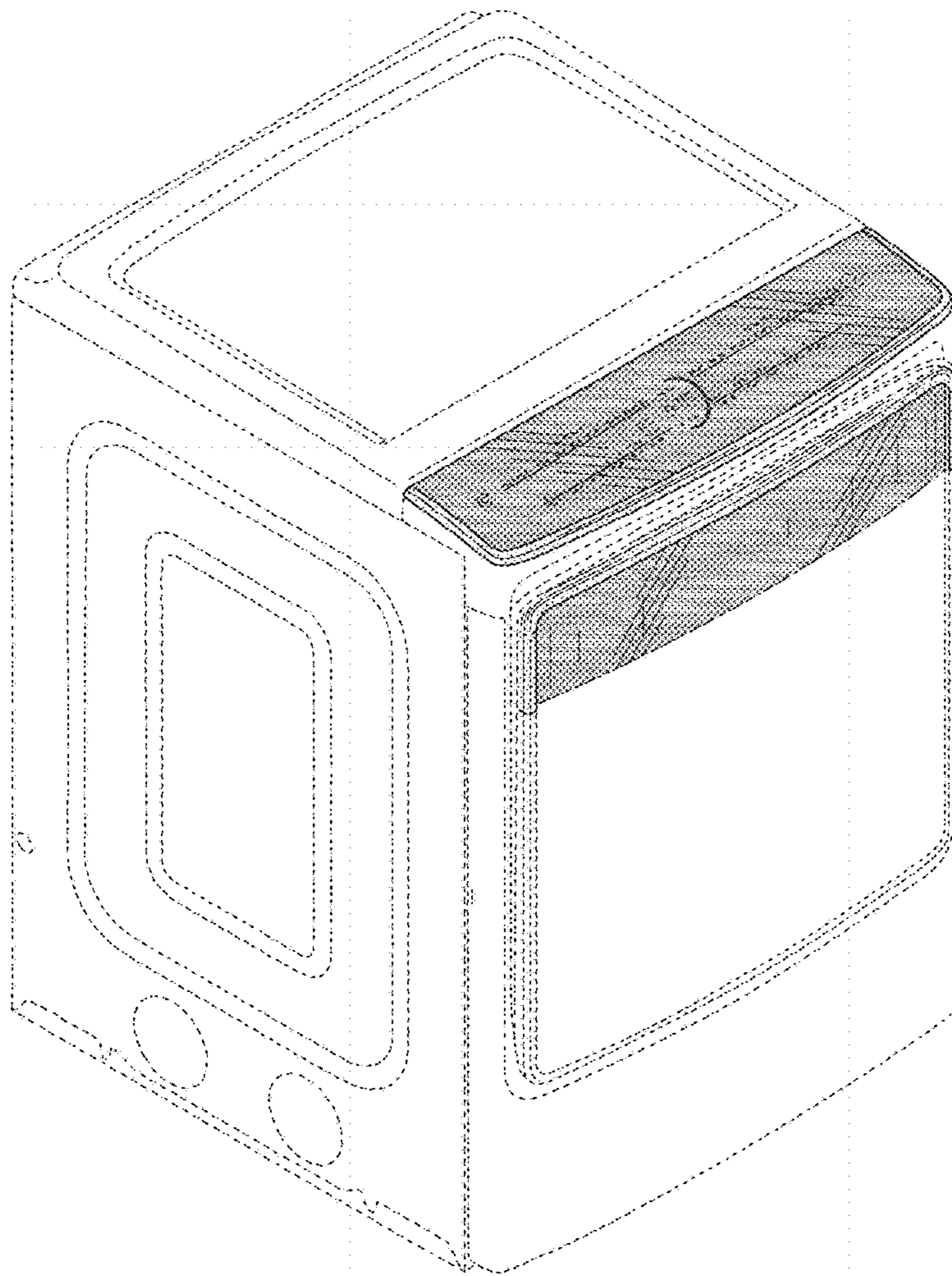


FIG. 1

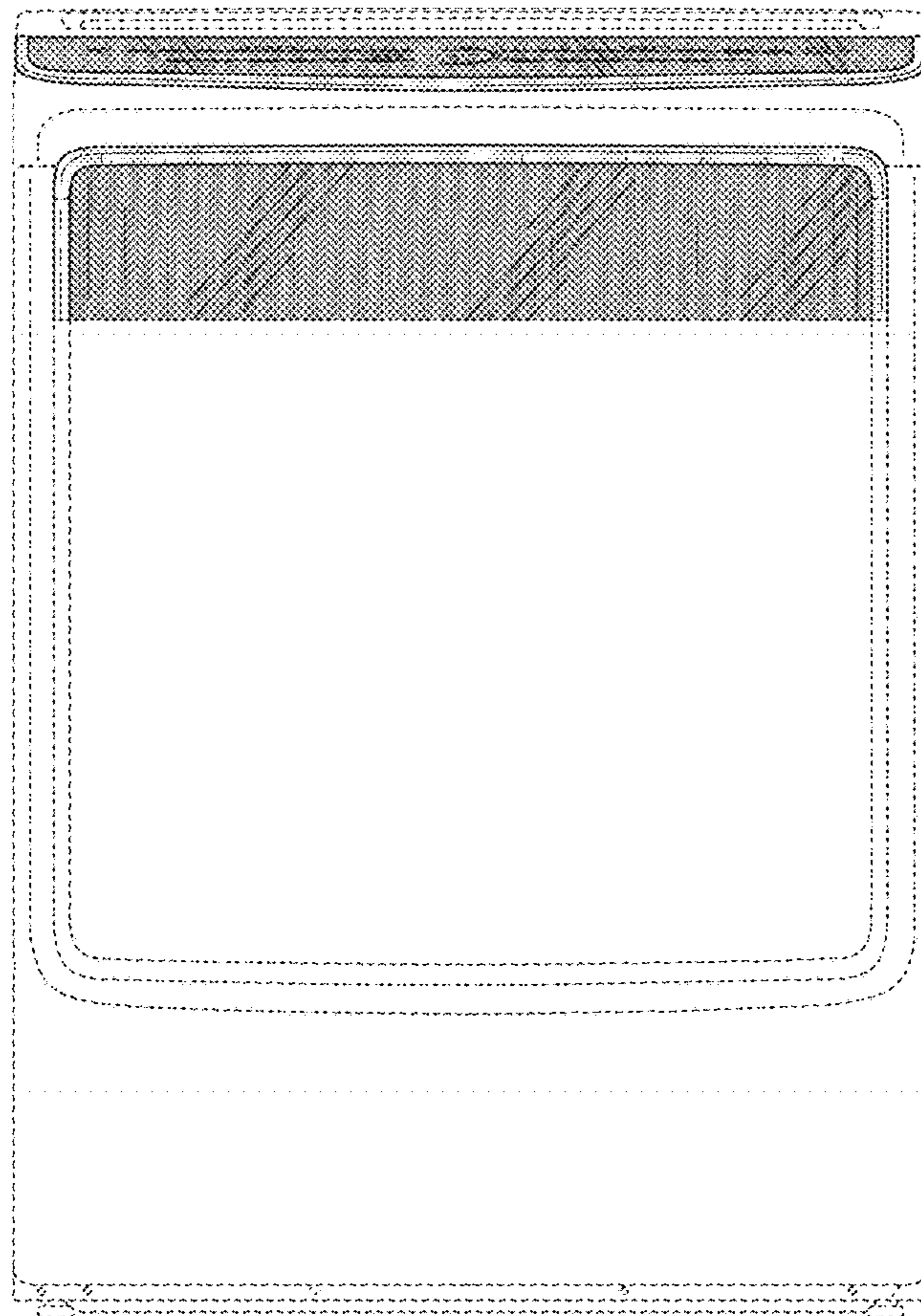


FIG. 2

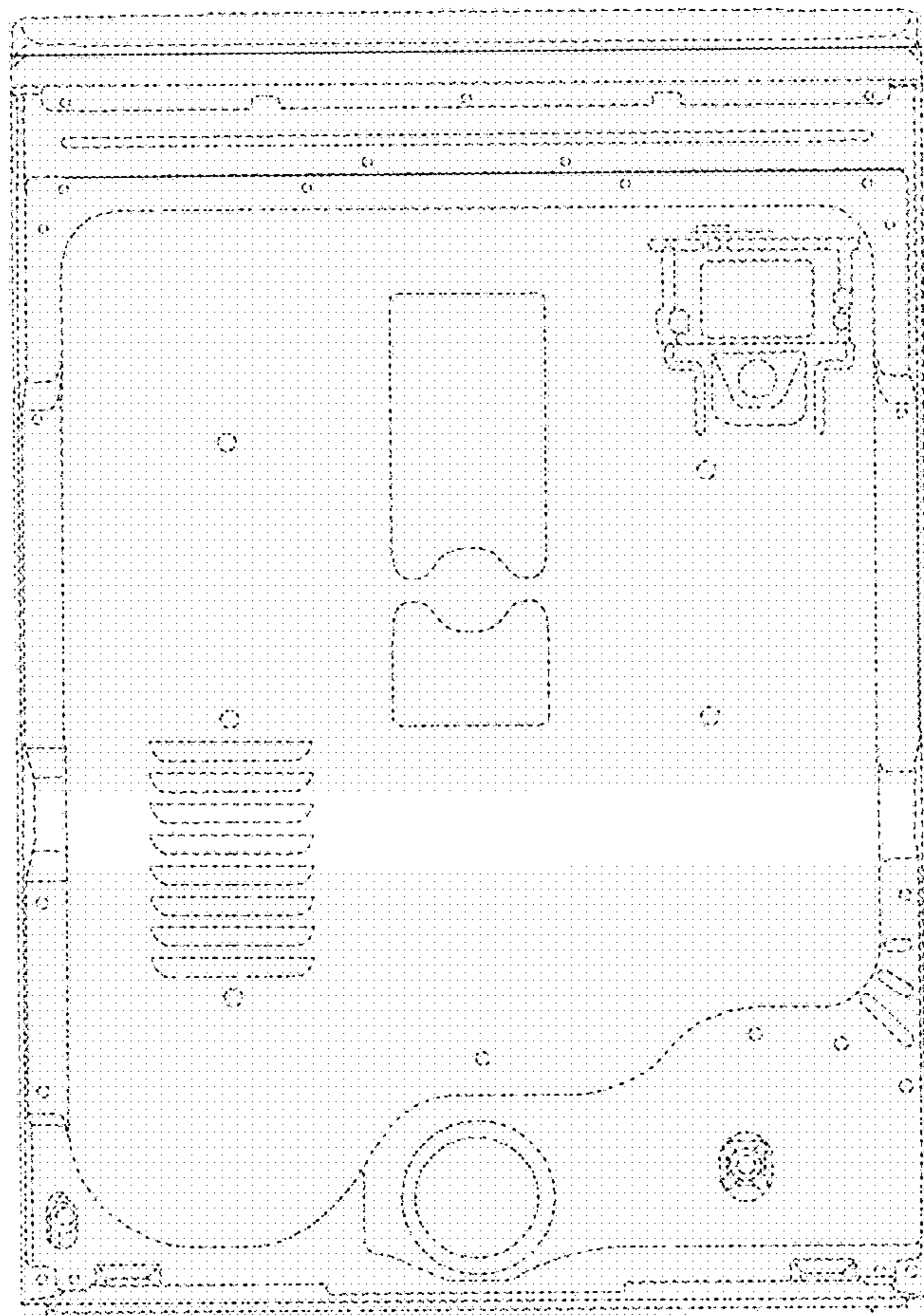


FIG. 3

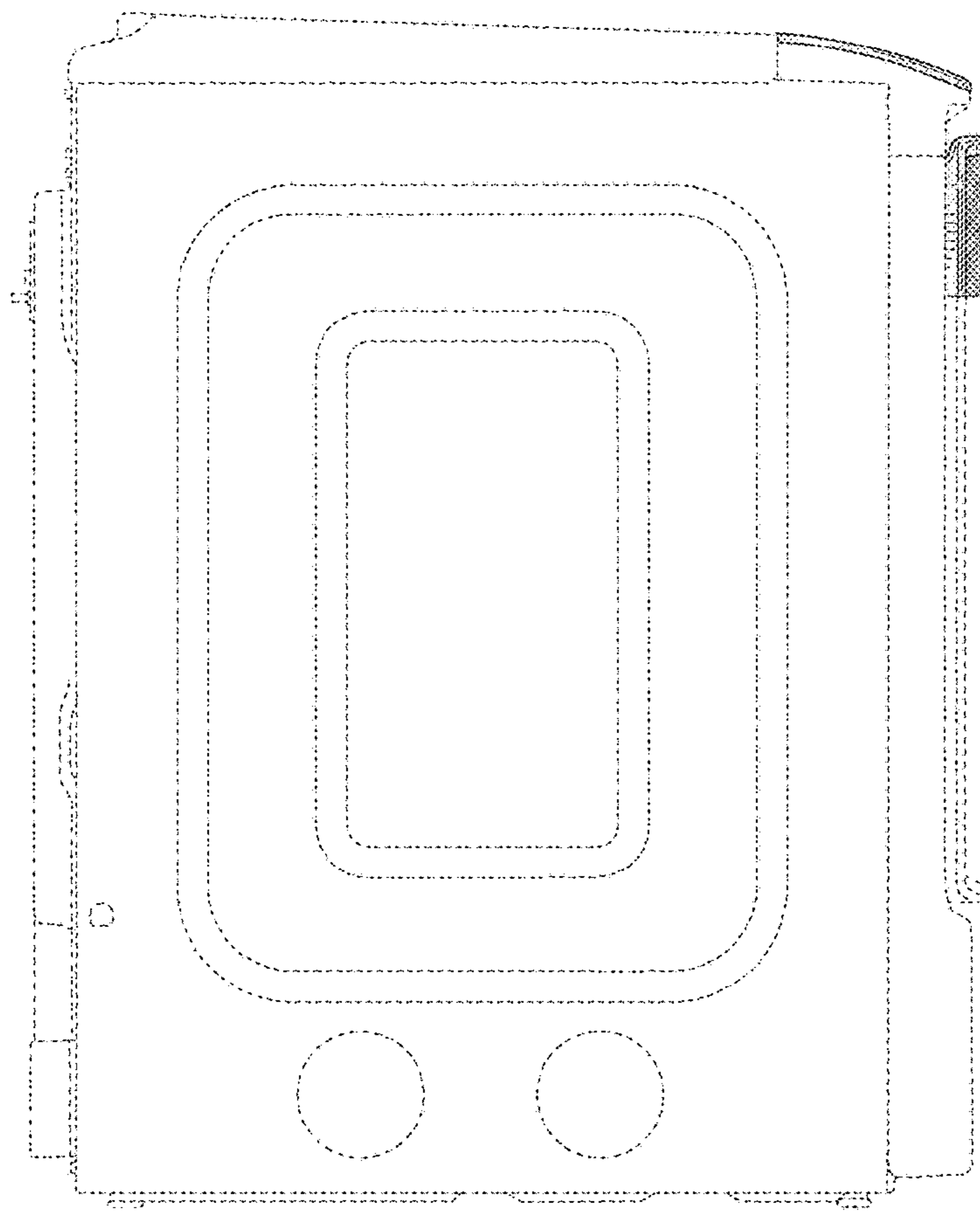


FIG. 4

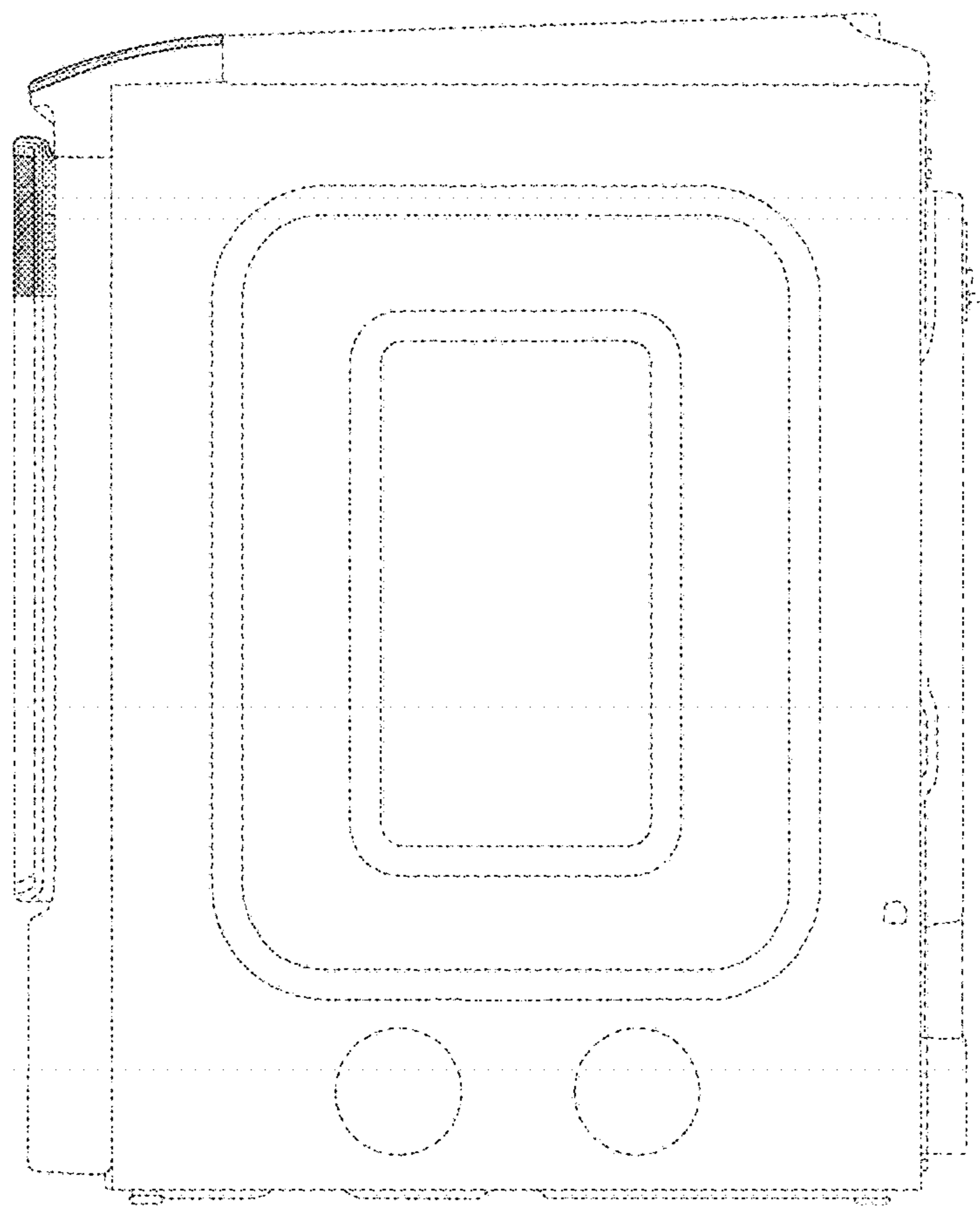


FIG. 5

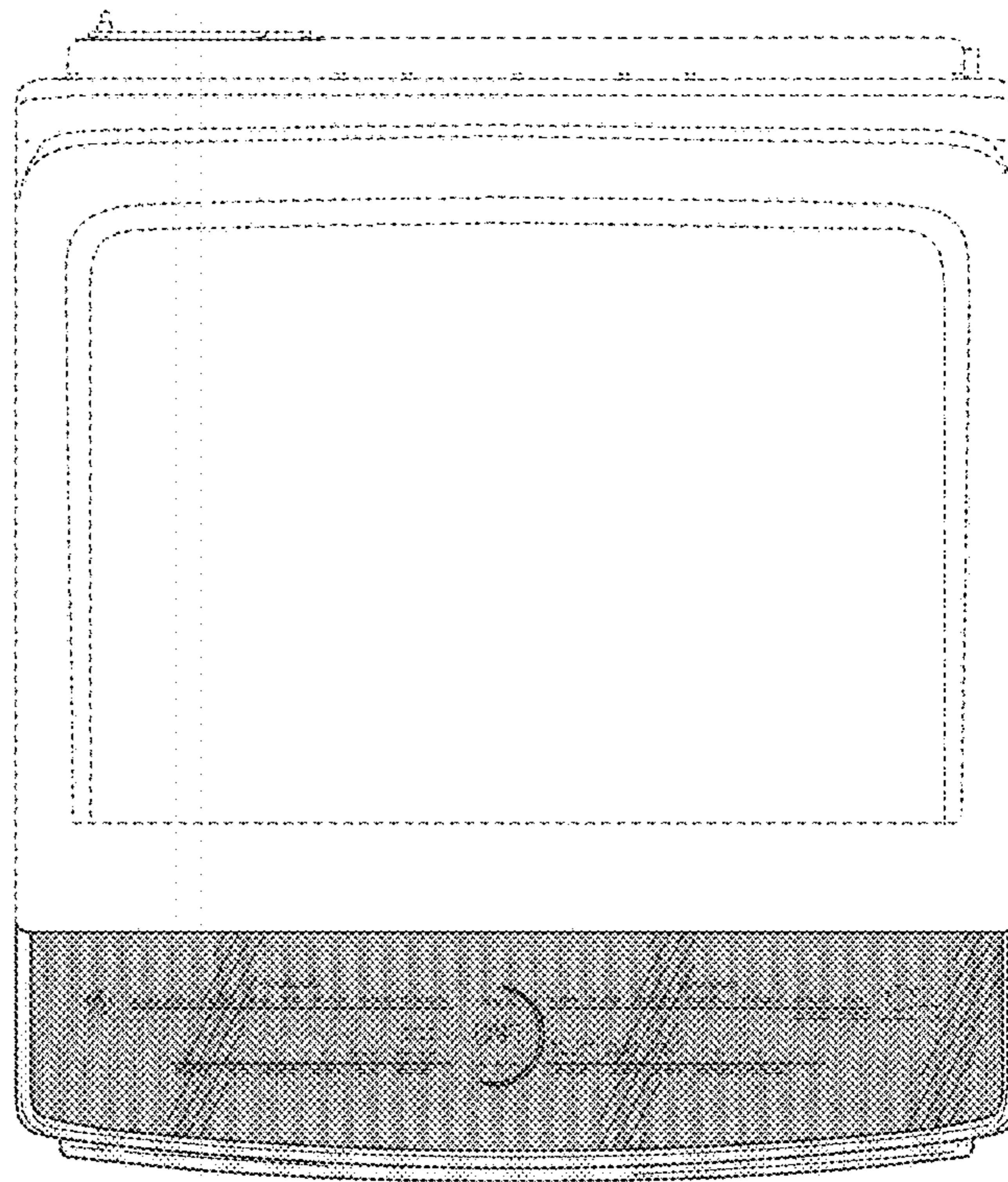


FIG. 6

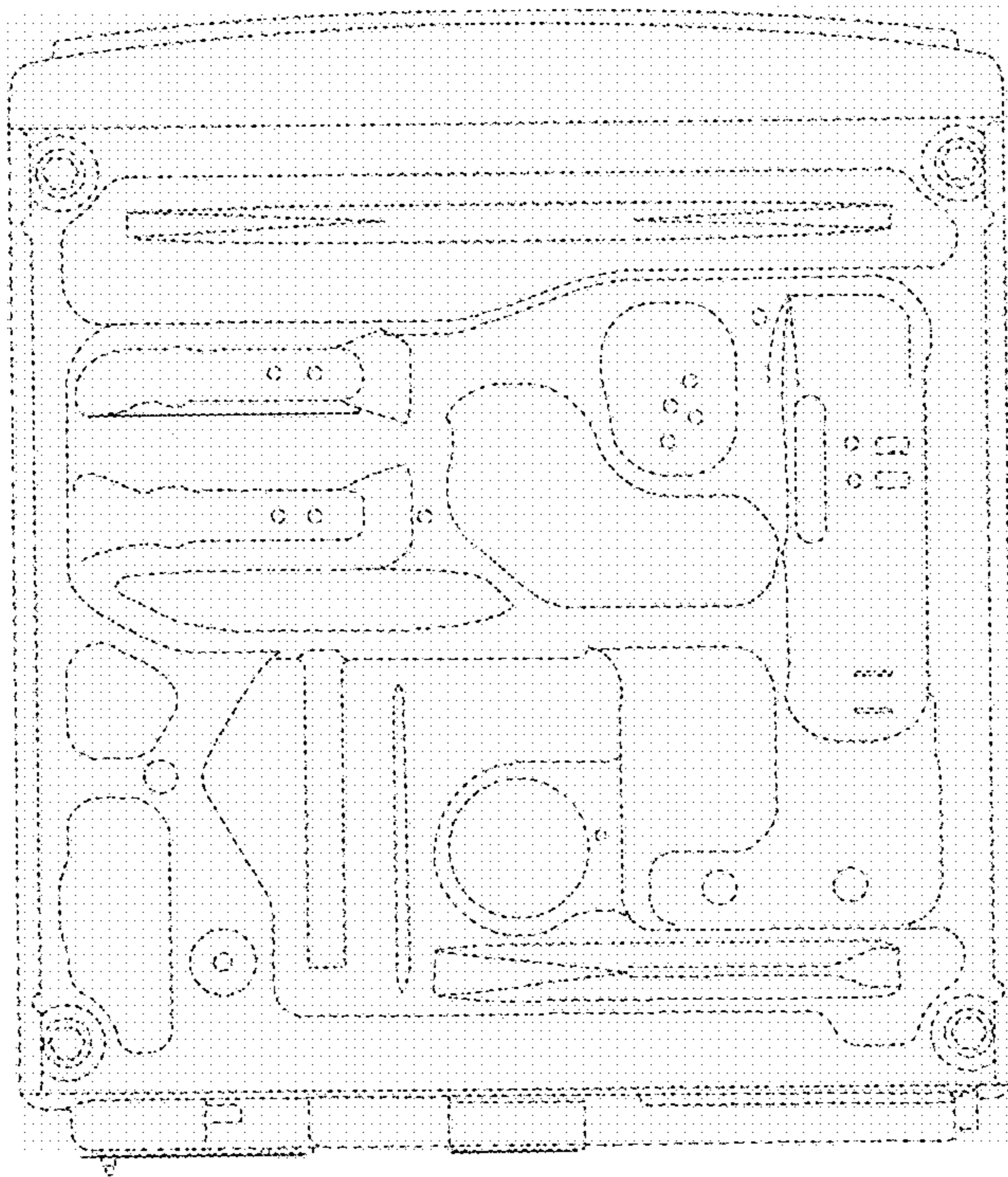


FIG. 7