



US00D859759S

(12) **United States Design Patent**
Zhang et al.

(10) **Patent No.:** **US D859,759 S**

(45) **Date of Patent:** **** Sep. 10, 2019**

- (54) **WASHING MACHINE**
- (71) Applicants: **MIDEA GROUP CO., LTD.**, Foshan (CN); **MIDEA AMERICA CORPORATION**, Parsippany, NJ (US)
- (72) Inventors: **Zhe Zhang**, Foshan (CN); **Donghwan Yang**, Foshan (CN); **Jing Pan**, Foshan (CN); **Su Qin**, Wuxi (CN); **Christopher G. Hoppe**, Louisville, KY (US)
- (73) Assignees: **MIDEA GROUP CO., LTD.**, Foshan (CN); **MIDEA AMERICA CORPORATION**, Parsippany, NJ (US)

D648,907 S *	11/2011	Jeon	D32/6
D649,722 S *	11/2011	Chung	D32/6
D659,307 S *	5/2012	Geyer	D32/6
D698,508 S *	1/2014	Cho	D32/25
D703,885 S *	4/2014	Ha	D32/6
D703,886 S *	4/2014	Ha	D32/6
D729,996 S *	5/2015	Hwang	D32/6
D731,131 S *	6/2015	Ha	D32/25
D732,763 S *	6/2015	Hwang	D32/6
D732,767 S *	6/2015	Ha	D32/25
D739,097 S *	9/2015	Qin	D32/6
D746,521 S *	12/2015	Ha	D32/6
D749,806 S *	2/2016	Hwang	D32/25
D759,909 S *	6/2016	Kim	D32/6
D762,021 S *	7/2016	Qin	D32/6
D762,025 S *	7/2016	Joo	D32/6
D764,722 S *	8/2016	Jo	D32/6
D769,553 S *	10/2016	Lee	D32/6

(Continued)

(**) **Term:** **15 Years**

Primary Examiner — Michelle E. Wilson

(21) **Appl. No.:** **29/579,294**

(74) *Attorney, Agent, or Firm* — Kilpatrick Townsend & Stockton, LLP

(22) **Filed:** **Sep. 29, 2016**

(51) **LOC (12) Cl.** **15-05**

(52) **U.S. Cl.**
USPC **D32/6**

(58) **Field of Classification Search**
USPC D32/29.1, 29, 28, 6, 25, 8, 1, 5, 10;
D6/510; D7/348-349
CPC D06F 39/045; D06F 29/00; D06F 29/005;
D06F 25/00; D06F 39/022; D06F 33/02;
D06F 2204/065; D06F 35/006; A47L
15/4418

See application file for complete search history.

(56) **References Cited**

U.S. PATENT DOCUMENTS

D588,757 S *	3/2009	Park	D32/6
D592,367 S *	5/2009	Crookshanks	D32/25
D620,650 S *	7/2010	Lee	D32/6
D625,476 S *	10/2010	Lee	D32/6
D626,299 S *	10/2010	Lee	D32/6
D631,624 S *	1/2011	Chung	D32/6

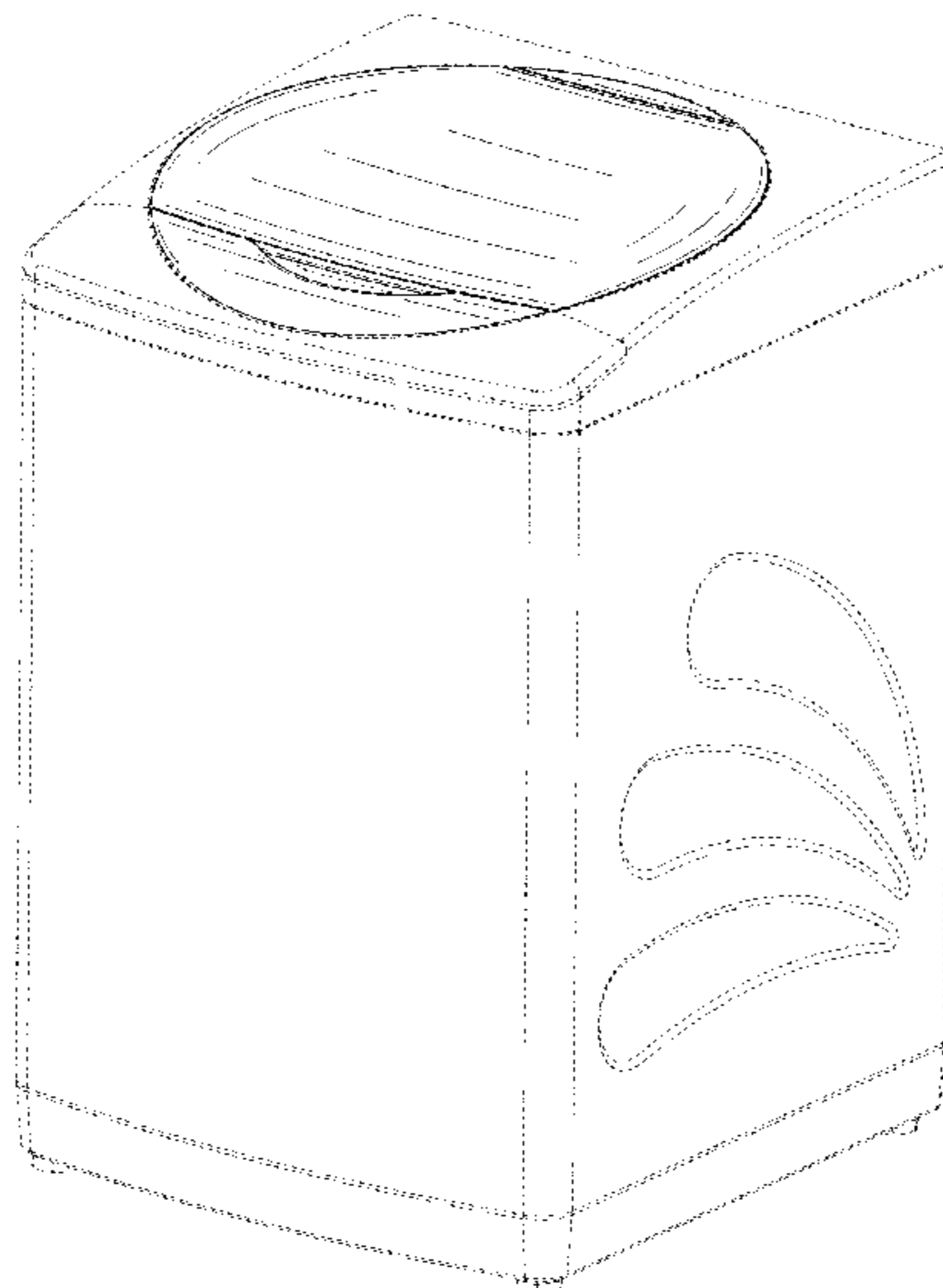
(57) **CLAIM**

The ornamental design for a washing machine, as shown and described.

DESCRIPTION

FIG. 1 is a perspective view according to an embodiment of a washing machine;
FIG. 2 is a front elevation view thereof;
FIG. 3 is a rear elevation view thereof;
FIG. 4 is a right side elevation view thereof;
FIG. 5 is a left side elevation view thereof;
FIG. 6 is a top plan view thereof;
FIG. 7 is a bottom plan view thereof; and,
FIG. 8 is another perspective view thereof, showing the lid of the washing machine in an open position.
The broken lines represent unclaimed features of the washing machine that form no part of the claimed design.

1 Claim, 8 Drawing Sheets



(56)

References Cited

U.S. PATENT DOCUMENTS

D770,103	S	*	10/2016	Ha	D32/6
D770,698	S	*	11/2016	Lee	D32/6
D770,705	S	*	11/2016	Kang	D32/6
D770,707	S	*	11/2016	Ha	D32/6
D771,330	S	*	11/2016	Ha	D32/6
D771,886	S	*	11/2016	Hwang	D32/25
D772,499	S	*	11/2016	Yoon	D32/6
D772,500	S	*	11/2016	Park	D32/6
D772,502	S	*	11/2016	Choi	D32/6
D773,128	S	*	11/2016	Kim	D32/6
D773,753	S	*	12/2016	Kim	D32/6
D773,754	S	*	12/2016	Choi	D32/6
D773,755	S	*	12/2016	Hwang	D32/6
D773,757	S	*	12/2016	Hwang	D32/6
D774,714	S	*	12/2016	Kang	D32/6
D774,715	S	*	12/2016	Kim	D32/6
D774,716	S	*	12/2016	Kim	D32/6
D816,927	S	*	5/2018	Ha	D32/25
D830,018	S	*	10/2018	Chung	D32/25
D831,915	S	*	10/2018	Ha	D32/25
D832,535	S	*	10/2018	Ha	D32/25
D832,536	S	*	10/2018	Ha	D32/25
D833,093	S	*	11/2018	Chung	D32/25
D833,697	S	*	11/2018	Choi	D32/25
D834,272	S	*	11/2018	Ha	D32/25

* cited by examiner

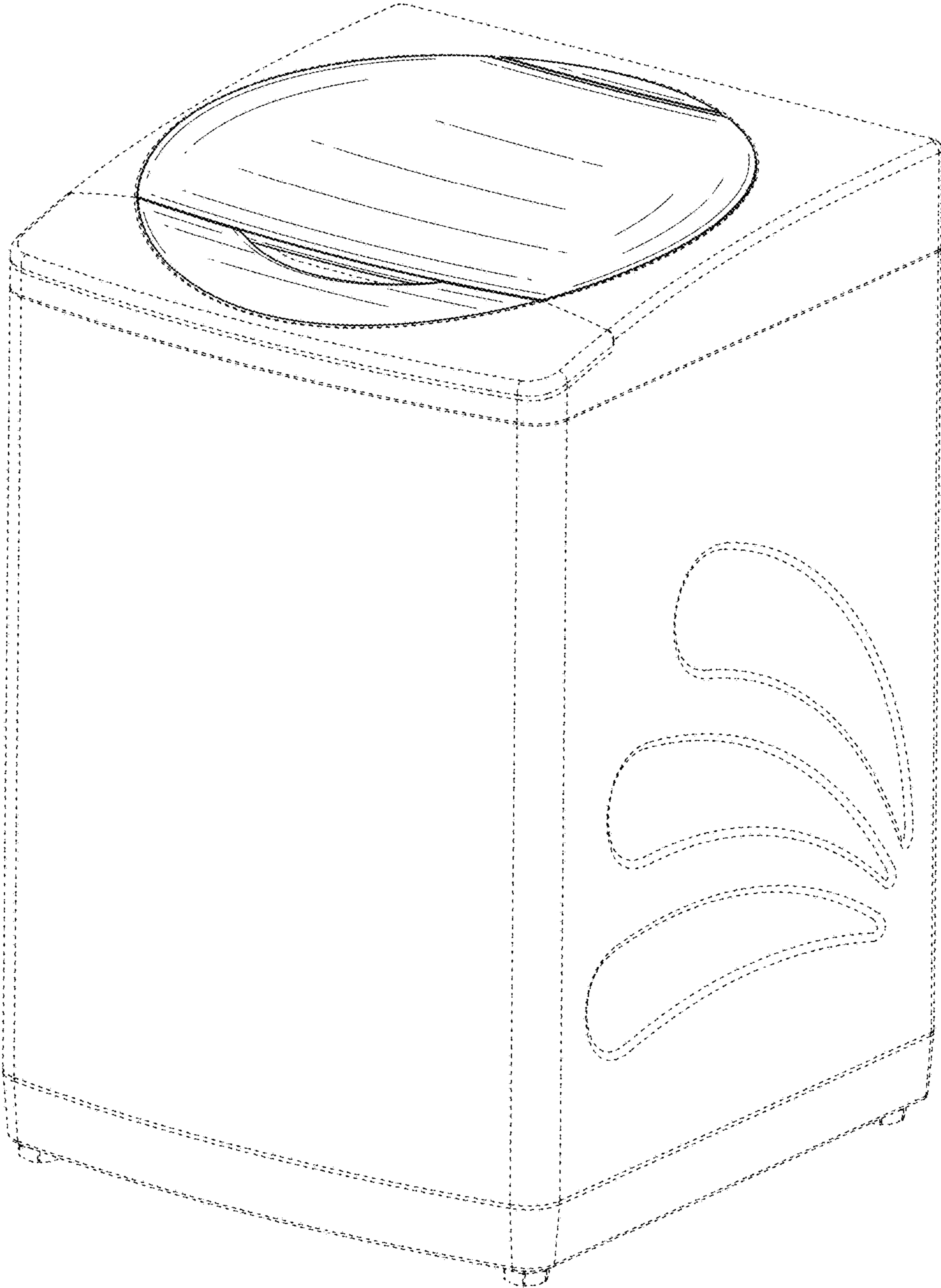


FIG. 1

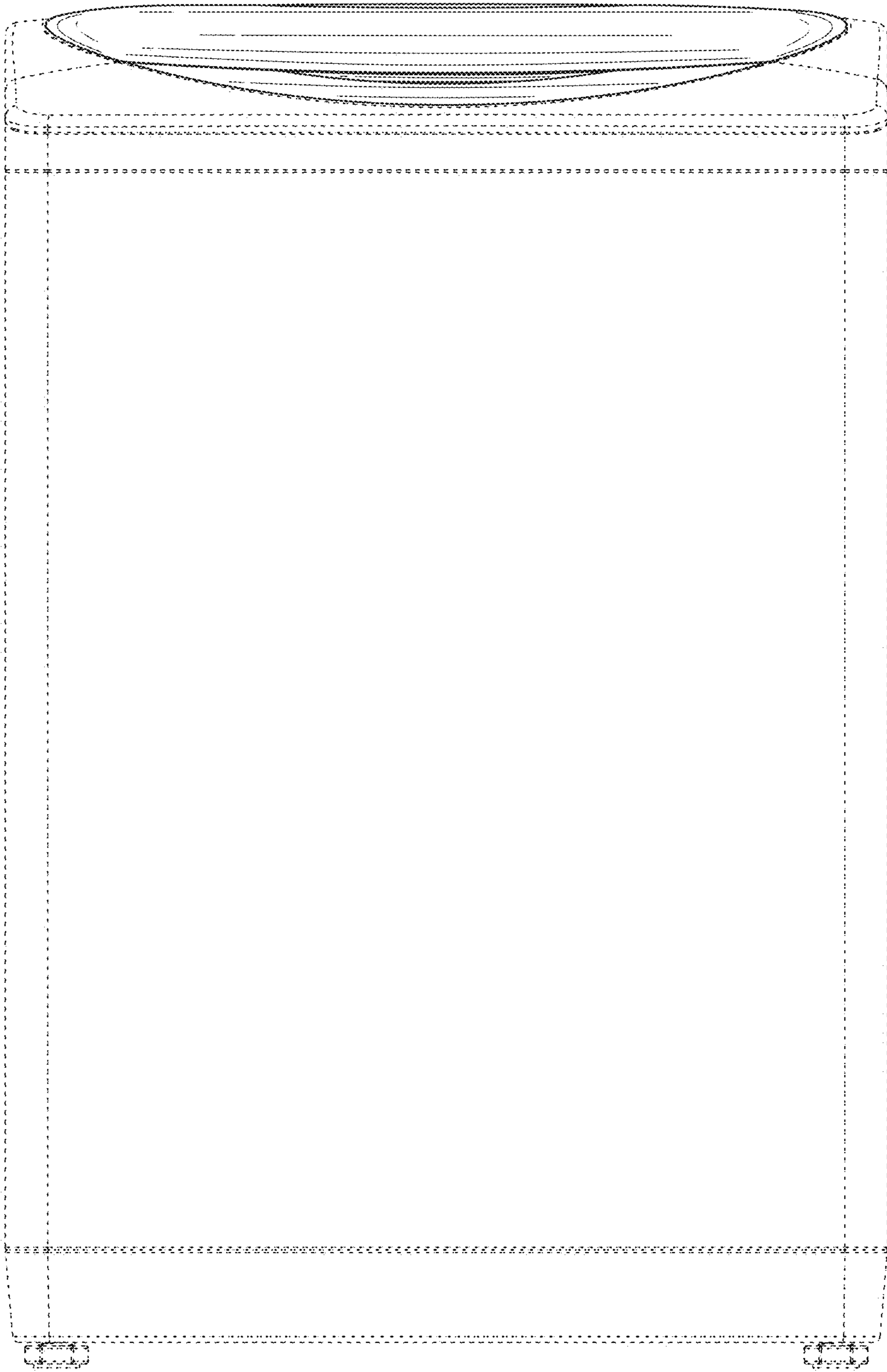


FIG. 2

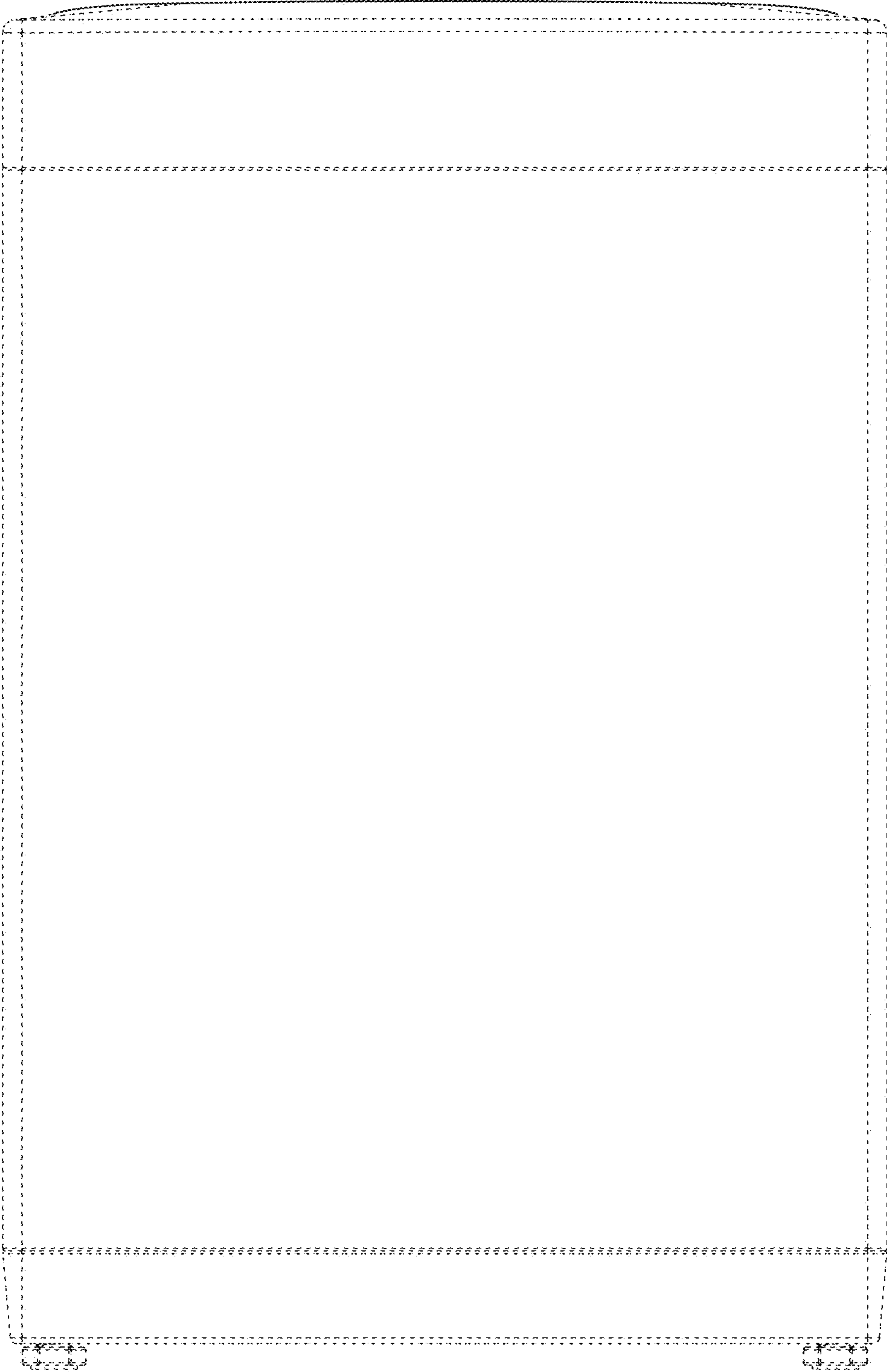


FIG. 3

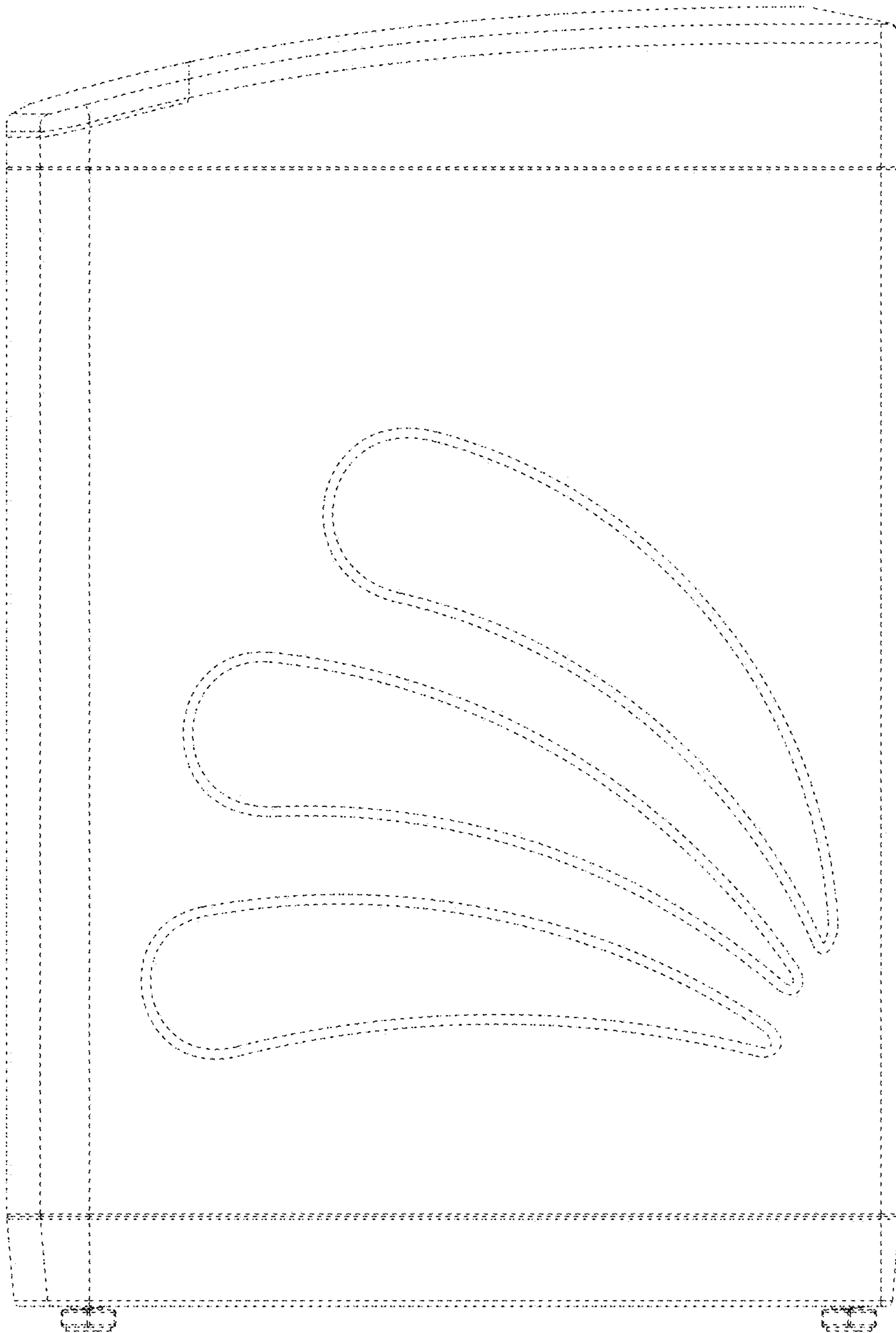


FIG. 4

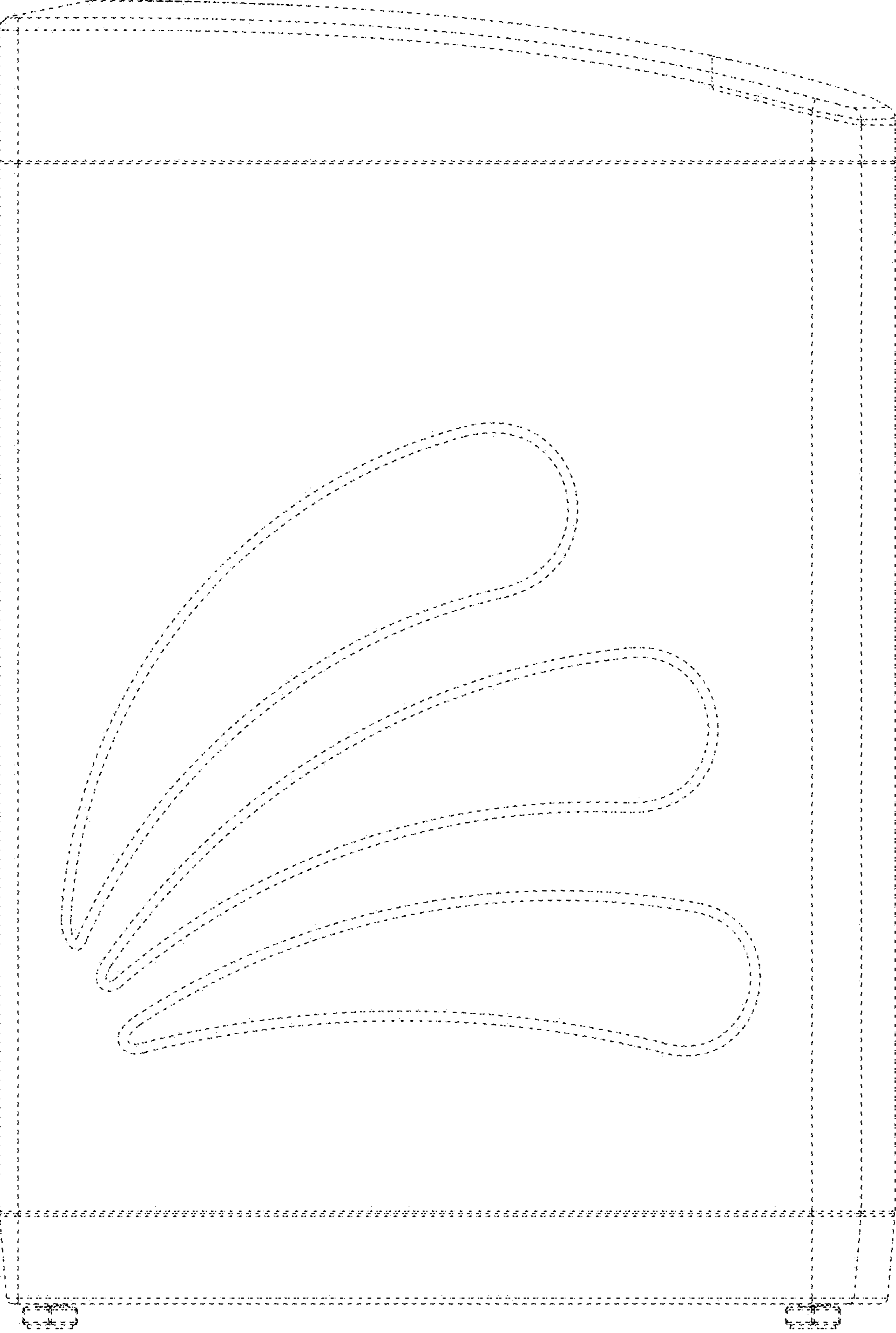


FIG. 5

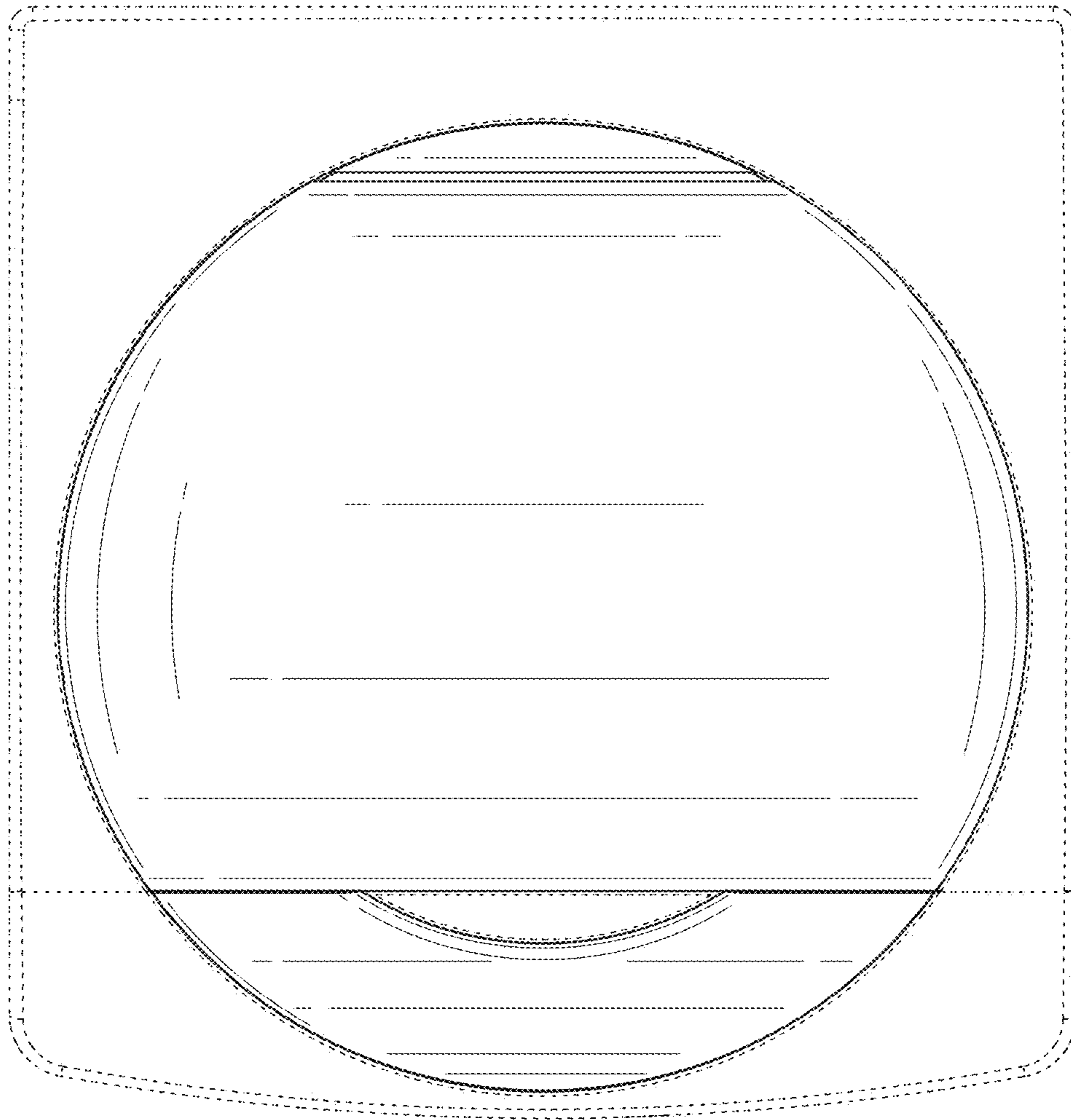


FIG. 6

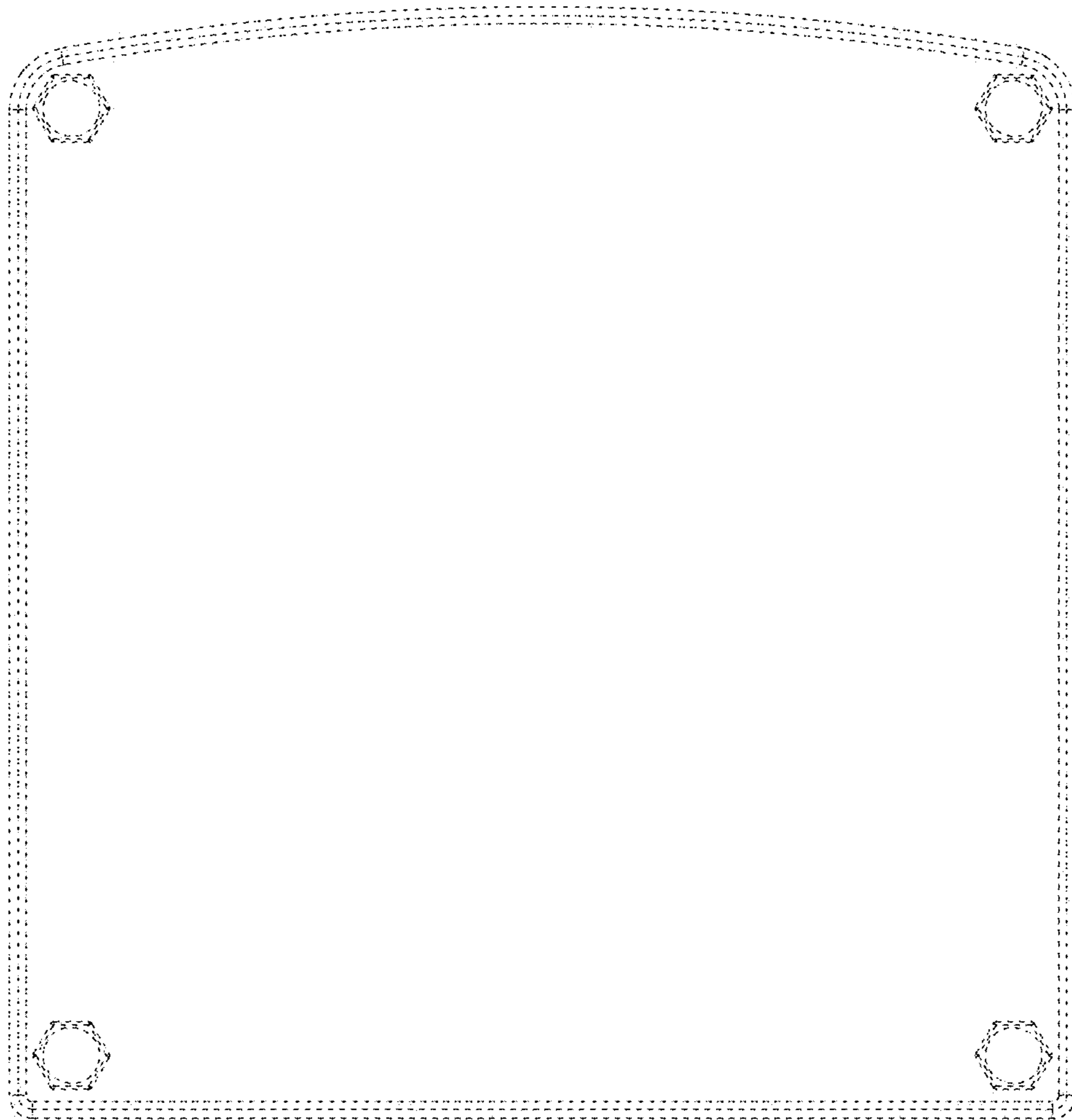


FIG. 7

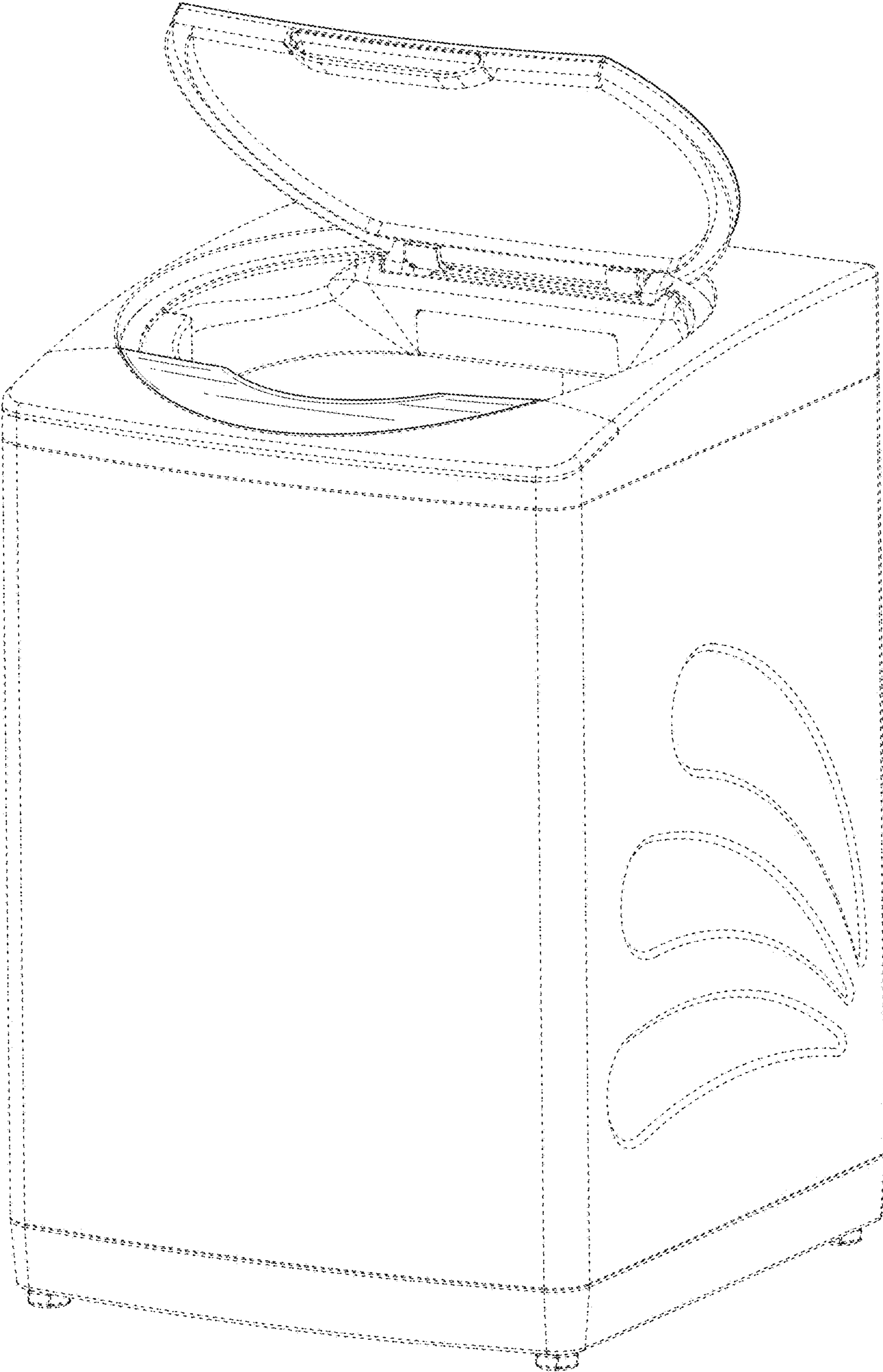


FIG. 8