



US00D859758S

(12) **United States Design Patent** (10) **Patent No.:** **US D859,758 S**
Roberson et al. (45) **Date of Patent:** **** Sep. 10, 2019**

- (54) **DISHWASHER DOOR COMPONENT**
- (71) Applicant: **BSH Home Appliances Corporation**, Irvine, CA (US)
- (72) Inventors: **Lindsay Roberson**, Durham, NC (US); **Thomas Ott**, Neubiberg (DE)
- (73) Assignee: **BSH Home Appliances Corporation**, Irvine, CA (US)
- (**) Term: **15 Years**
- (21) Appl. No.: **29/581,109**
- (22) Filed: **Oct. 17, 2016**

Related U.S. Application Data

- (62) Division of application No. 29/569,156, filed on Jun. 24, 2016, now Pat. No. Des. 778,009, which is a division of application No. 29/550,902, filed on Jan. 8, 2016, now Pat. No. Des. 765,925, which is a division of application No. 29/540,175, filed on Sep. 22, 2015, now Pat. No. Des. 753,887, which is a division of application No. 29/534,268, filed on Jul. 28, 2015, now Pat. No. Des. 745,751, which is a division of application No. 29/524,472, filed on Apr. 21, 2015, now Pat. No. Des. 741,031, which is a division of application No. 29/483,268, filed on Feb. 27, 2014, now Pat. No. Des. 732,761, which is a division of application No. 29/468,763, filed on Oct. 3, 2013, now Pat. No. Des. 706,997, which is a division of application No. 29/460,929, filed on Jul. 17, 2013, now Pat. No. Des. 698,506, which is a division of application No. 29/451,489, filed on Apr. 3, 2013, now Pat. No. Des. 692,628, which is a division of application No. 29/424,165, filed on Jun. 8, 2012, now Pat. No. Des. 684,734, which is a division of application No. 29/397,798, filed on Jul. 21, 2011, now Pat. No. Des. 665,956.
- (51) **LOC (12) Cl.** **15-05**

- (52) **U.S. Cl.**
USPC **D32/3**
- (58) **Field of Classification Search**
USPC D32/1-3, 25, 28; D7/340, 348-350, 405; 312/31, 109, 228; 134/56 D, 57 D, 58 D, 134/58 DL, 201
CPC A47L 15/4265; A47L 15/4259; A47L 15/4257; A47L 15/4293; F25D 23/02; F25D 23/021
See application file for complete search history.

(56) **References Cited**

U.S. PATENT DOCUMENTS

D668,404	S	*	10/2012	Eng	D32/3
D684,734	S	*	6/2013	Eng	D32/3
D689,248	S	*	9/2013	Eng	D32/3
D696,476	S	*	12/2013	Eng	D32/3
D698,506	S	*	1/2014	Eng	D32/3
D698,507	S	*	1/2014	Eng	D32/3
D699,904	S	*	2/2014	Eng	D32/3
D701,359	S	*	3/2014	Eng	D32/3

(Continued)

Primary Examiner — Michelle E. Wilson

(74) *Attorney, Agent, or Firm* — Michael E. Tschupp; Andre Pallapies; Brandon G. Braun

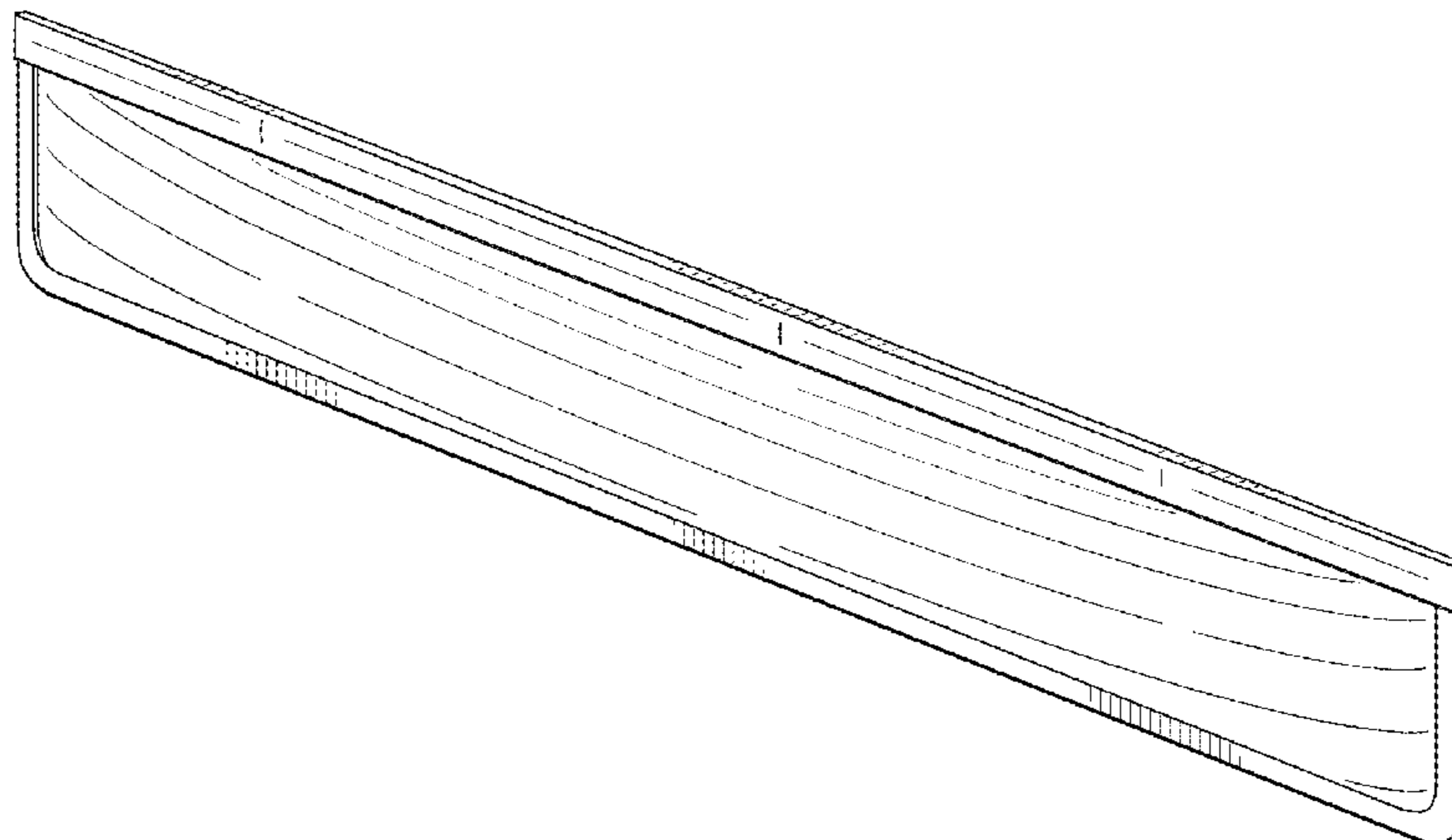
(57) **CLAIM**

The ornamental design for a dishwasher door component, as shown and described.

DESCRIPTION

FIG. 1 is a front perspective view of a dishwasher door component as according to our new ornamental design; FIG. 2 is a front view thereof; FIG. 3 is a side view thereof; and, FIG. 4 is another perspective view thereof, from the bottom. The broken lines show surrounding structure or environment and do not form part of the claimed design.

1 Claim, 2 Drawing Sheets



(56)

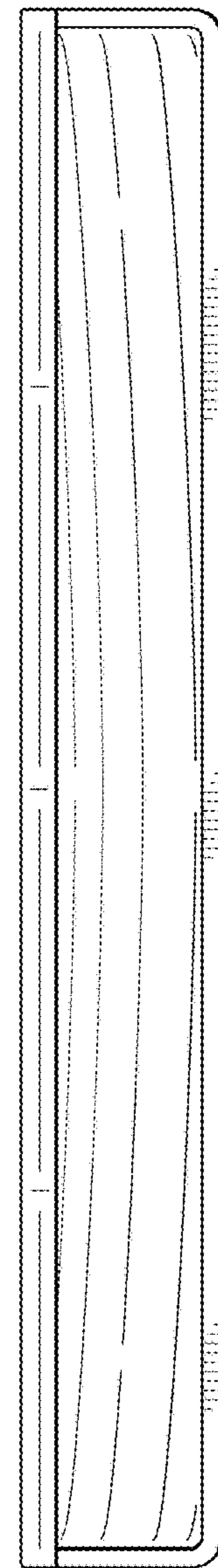
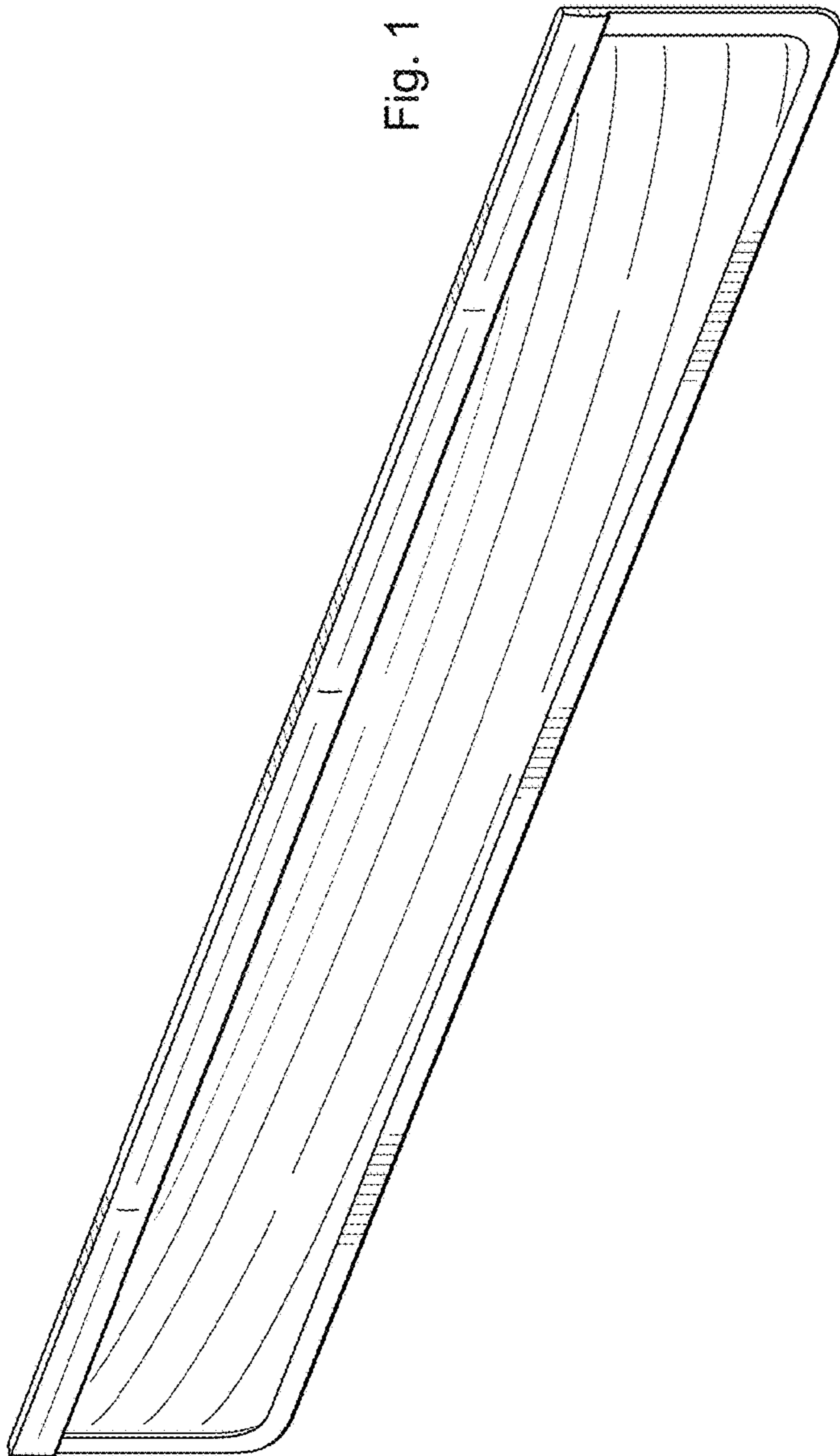
References Cited

U.S. PATENT DOCUMENTS

D702,899 S * 4/2014 Eng D32/3
 D706,502 S * 6/2014 Eng D32/3
 D706,997 S * 6/2014 Eng D32/3
 D708,406 S * 7/2014 Eng D32/3
 D730,592 S * 5/2015 Roberson D32/3
 D732,758 S * 6/2015 Roberson D32/3
 D732,759 S * 6/2015 Roberson D32/3
 D732,761 S * 6/2015 Roberson D32/3
 D733,370 S * 6/2015 Roberson D32/3
 D734,902 S * 7/2015 Eng D32/3
 D741,031 S * 10/2015 Roberson D32/3
 D743,119 S * 11/2015 Roberson D32/3
 D743,120 S * 11/2015 Roberson D26/42
 D743,121 S * 11/2015 Roberson D32/3
 D743,642 S * 11/2015 Lee D32/3
 D745,751 S * 12/2015 Roberson D32/3
 D745,753 S * 12/2015 Roberson D32/3

D745,755 S * 12/2015 Roberson D32/3
 D745,756 S * 12/2015 Roberson D32/3
 D748,353 S * 1/2016 Roberson D32/3
 D748,874 S * 2/2016 Roberson D32/3
 D755,455 S * 5/2016 Roberson D32/3
 D755,456 S * 5/2016 Roberson D32/3
 D756,046 S * 5/2016 Roberson D32/3
 D763,523 S * 8/2016 Roberson D32/3
 D763,524 S * 8/2016 Roberson D32/3
 D765,923 S * 9/2016 Roberson D32/3
 D765,924 S * 9/2016 Roberson D32/3
 D765,925 S * 9/2016 Roberson D32/3
 D767,832 S * 9/2016 Roberson D32/3
 D778,006 S * 1/2017 Roberson D32/3
 D778,007 S * 1/2017 Roberson D32/3
 D778,008 S * 1/2017 Roberson D32/3
 D778,009 S * 1/2017 Roberson D32/3
 D829,391 S * 9/2018 Roberson D32/3
 D833,692 S * 11/2018 Roberson D32/3

* cited by examiner



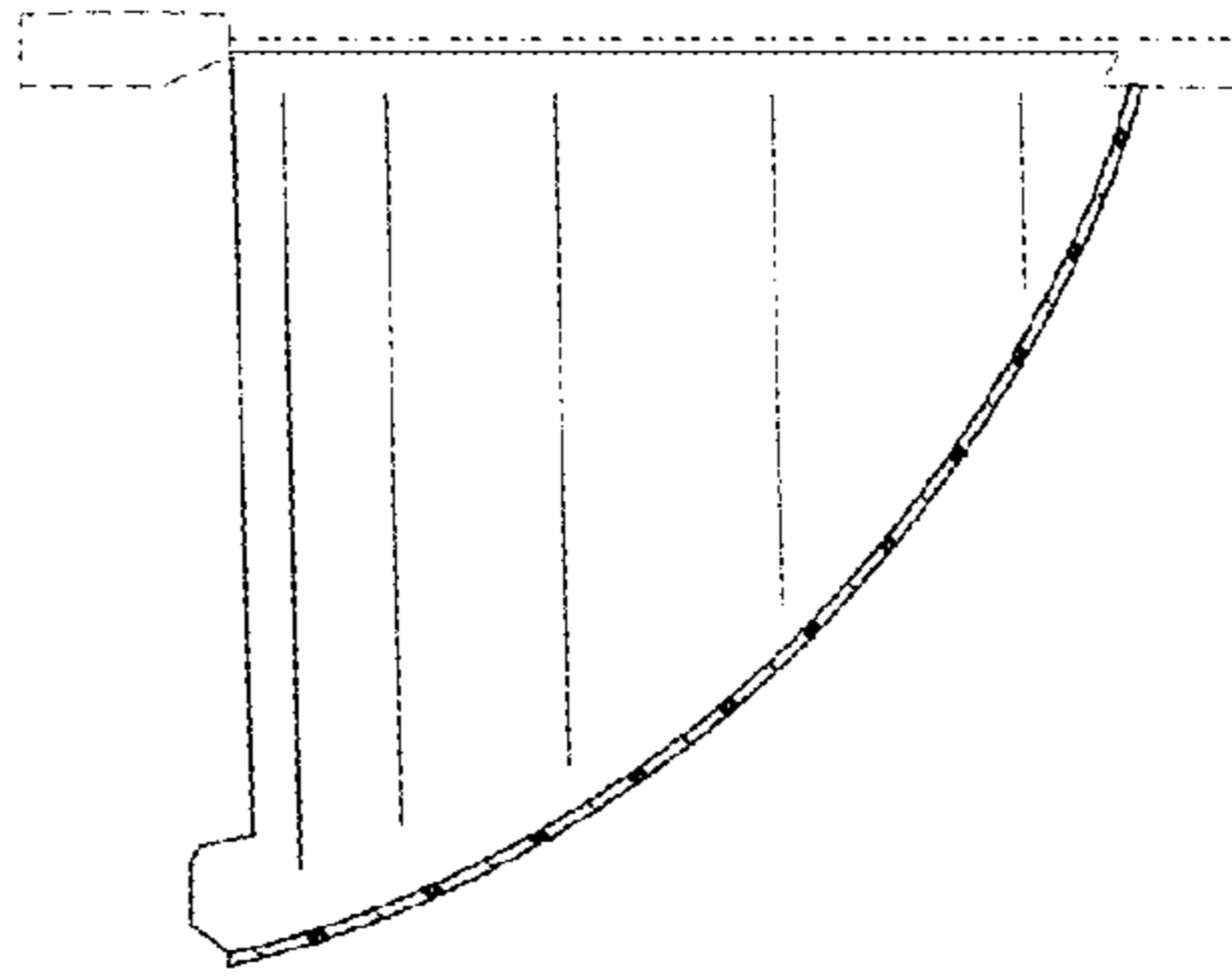


Fig. 3

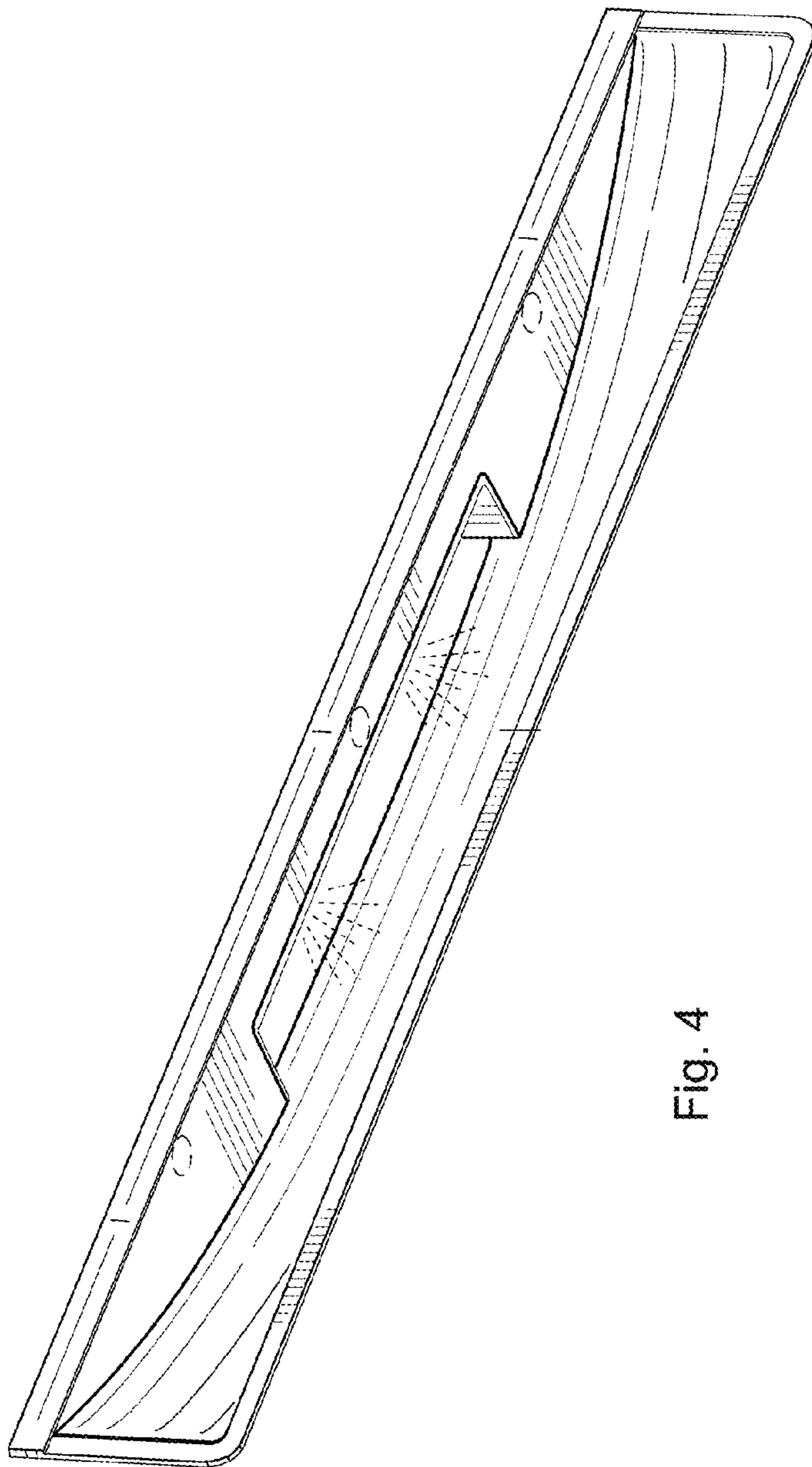


Fig. 4