



US00D859755S

(12) **United States Design Patent** (10) **Patent No.:** **US D859,755 S**  
**Axelrod et al.** (45) **Date of Patent:** **\*\* Sep. 10, 2019**

- (54) **GIGGLE X-BONE**
- (71) Applicant: **T.F.H. PUBLICATIONS, INC.**,  
Neptune City, NJ (US)
- (72) Inventors: **Glen S. Axelrod**, Colts Neck, NJ (US);  
**Ajay Gajria**, Maharashtra (IN);  
**Edmond Chun Man Lee**, Chermshire  
West (AU)
- (73) Assignee: **T.F.H. PUBLICATIONS, INC.**,  
Neptune City, NJ (US)
- (\*\*) Term: **15 Years**
- (21) Appl. No.: **29/591,519**
- (22) Filed: **Jan. 20, 2017**
- (51) **LOC (12) Cl.** ..... **30-99**
- (52) **U.S. Cl.**  
USPC ..... **D30/160**
- (58) **Field of Classification Search**  
USPC ..... D30/121, 160; D21/498, 713;  
D24/211-212, 214; D1/106, 109, 125,  
D1/199  
CPC ..... A01K 15/024; A01K 15/025; A01K  
15/0246; A01K 15/027  
See application file for complete search history.

8,573,159 B1 \* 11/2013 Crotty ..... A01K 15/025  
119/707  
D748,871 S \* 2/2016 Setser ..... D30/160  
D755,450 S \* 5/2016 Setser ..... D30/160

**OTHER PUBLICATIONS**

Notice of Allowance from related Japanese Appln. No. 2017-015164 dated Nov. 28, 2017. English translation attached.  
“Comfy, Comfy’s rubber toys that will strongly attract the interest of your dog arrive in Japan from Poland!”, (JPO Design Division, Publicly Known Material No. HC28013790).  
“Rubber Toy 4 Mixed Colours”, p. 22, (JPO Design Division, Publicly Known Material No. HD22004377).  
“Rubber Toy 4 Mixed Colours”, p. 16, (JPO Design Division, Publicly Known Material No. HD22004381).  
Shinnippon Calendar Co., Ltd., Previously posted on the company’s website, (JPO Design Division, Publicly Known Material No. HJ27027992).

\* cited by examiner

*Primary Examiner* — Janice Hallmark  
(74) *Attorney, Agent, or Firm* — Grossman, Tucker,  
Perreault & Pflieger, PLLC

(57) **CLAIM**  
The ornamental design for a giggle X-bone, as shown.

**DESCRIPTION**

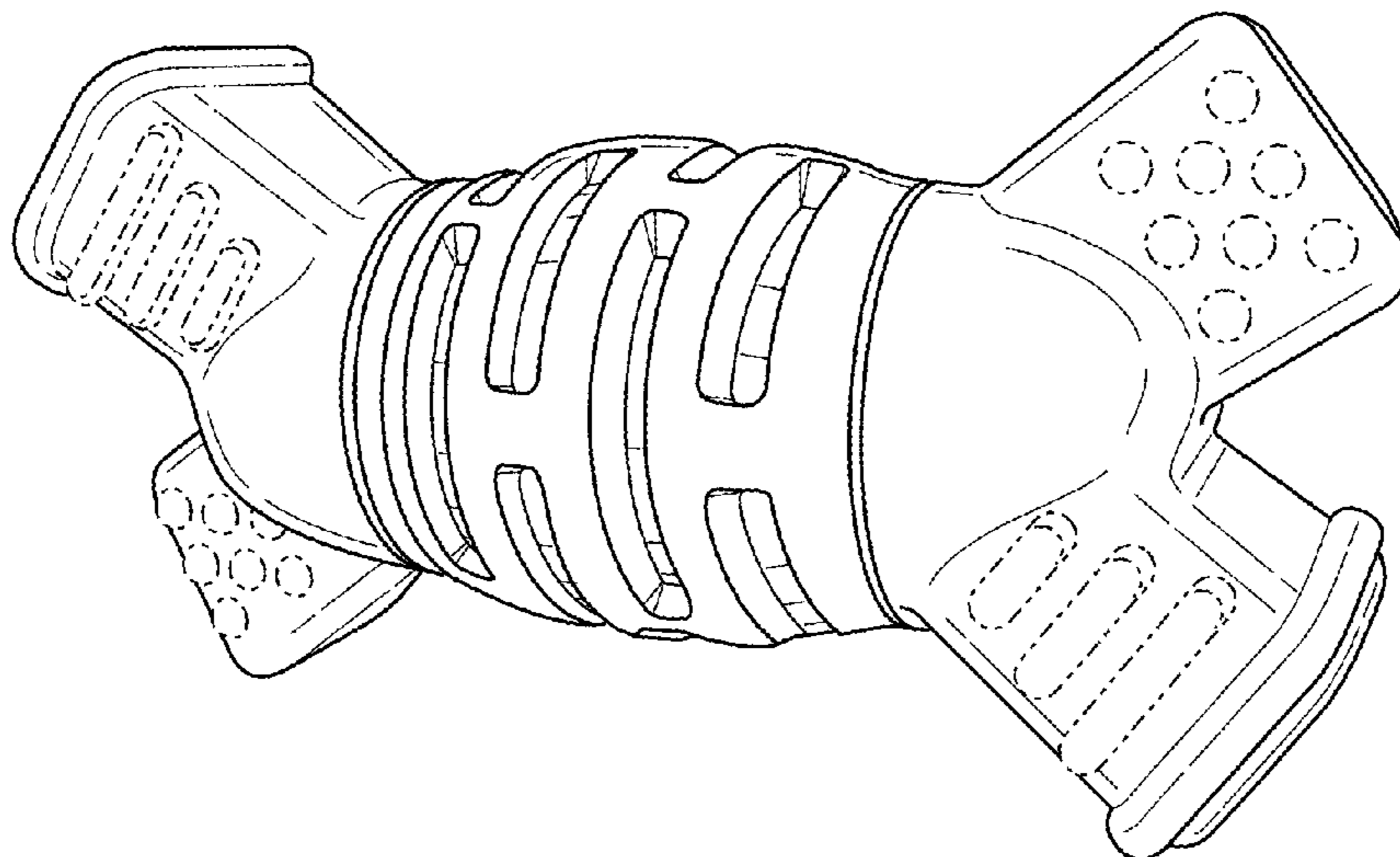
FIG. 1 is a perspective view of a giggle X-bone of the present invention;  
FIG. 2 is a front elevation view thereof;  
FIG. 3 is a rear elevation view thereof;  
FIG. 4 is a left side elevation view thereof;  
FIG. 5 is a right side elevation view thereof;  
FIG. 6 is a top plan view thereof; and,  
FIG. 7 is a bottom plan view thereof.  
The broken lines in FIGS. 1-7 depict environmental subject matter and form no part of the claimed design.

**1 Claim, 4 Drawing Sheets**

(56) **References Cited**

**U.S. PATENT DOCUMENTS**

D152,951 S *	3/1949	Eldredge	.....	D24/212
D202,330 S *	9/1965	Fisher	.....	D30/160
D411,269 S *	6/1999	Albarelli, Jr.	.....	D21/712
D568,487 S *	5/2008	Hsu	.....	D24/214
D576,357 S *	9/2008	Rutherford	.....	D30/160
D658,243 S *	4/2012	Saber	.....	D21/707
D664,723 S *	7/2012	Wolfe, Jr.	.....	D30/160
D672,513 S *	12/2012	Wolfe, Jr.	.....	D30/160



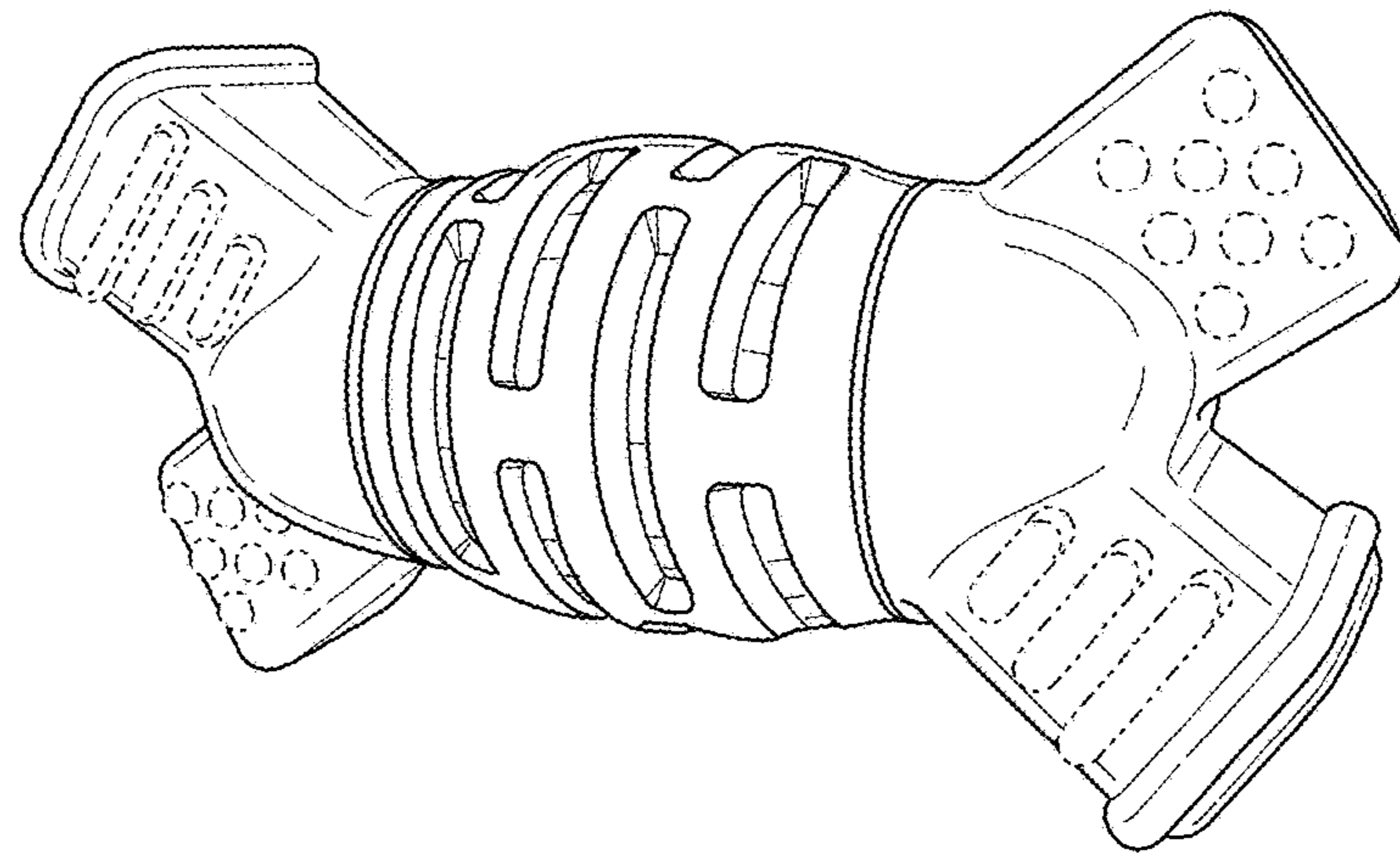


FIG. 1

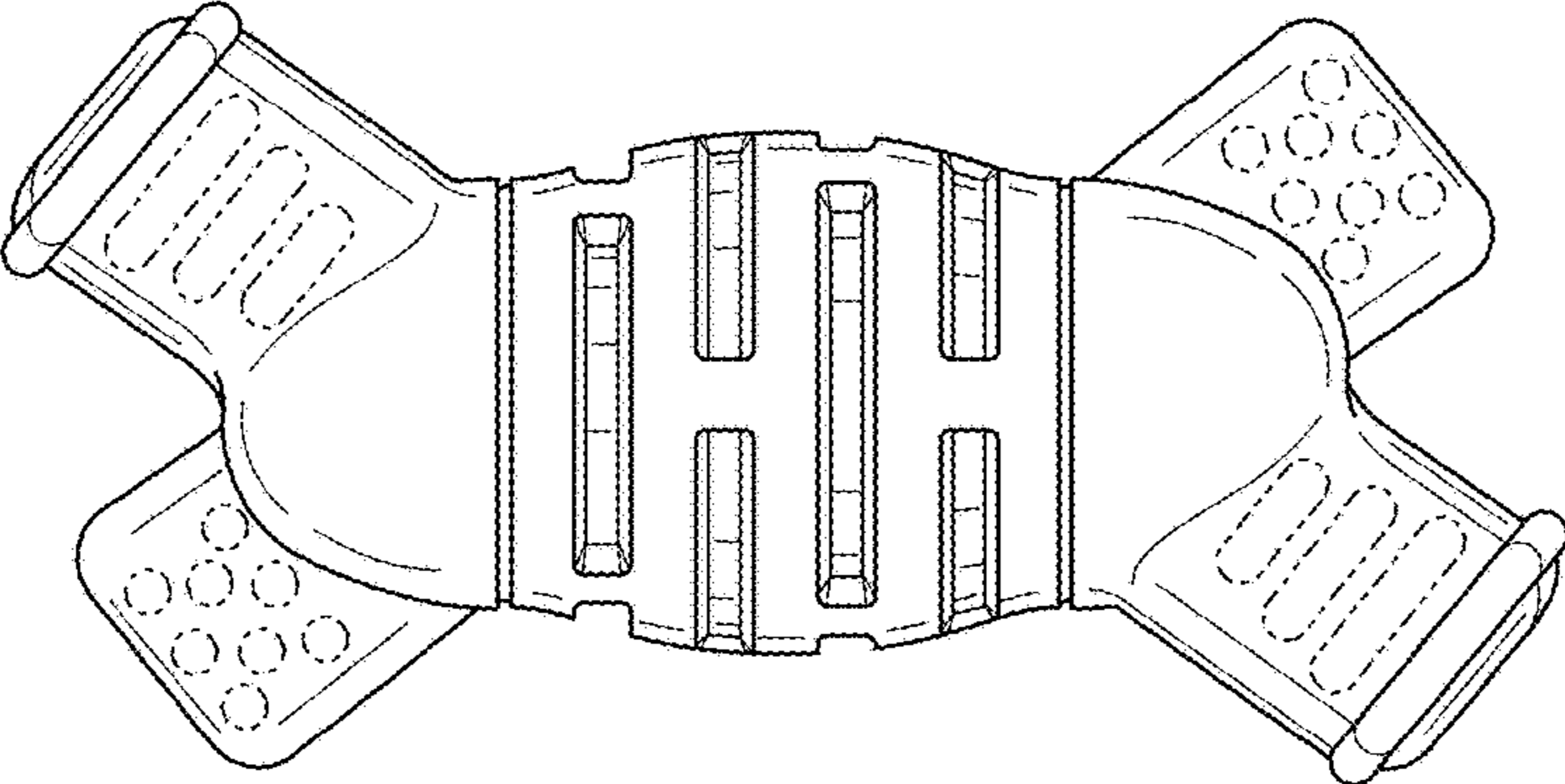


FIG. 2

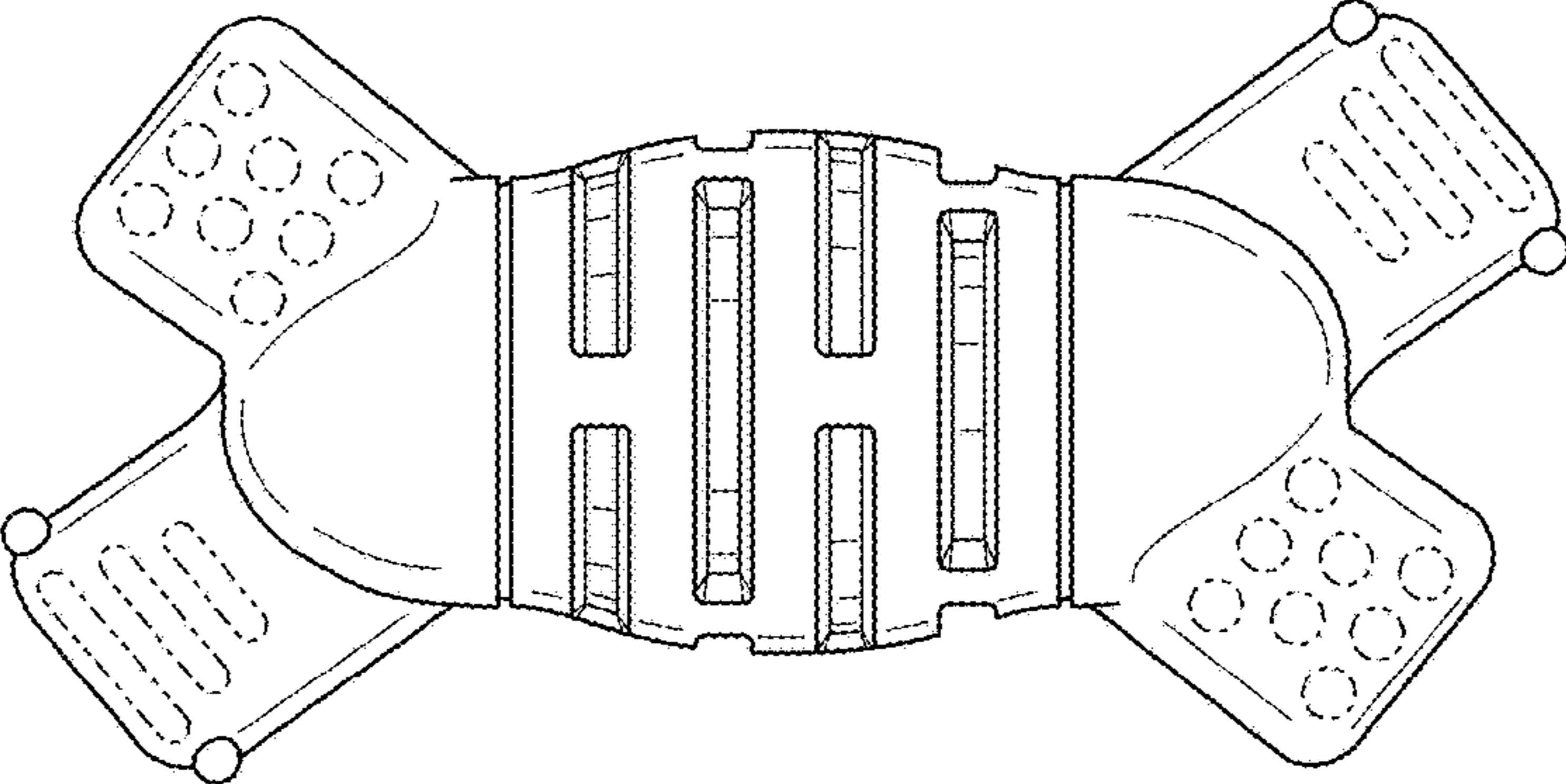


FIG. 3

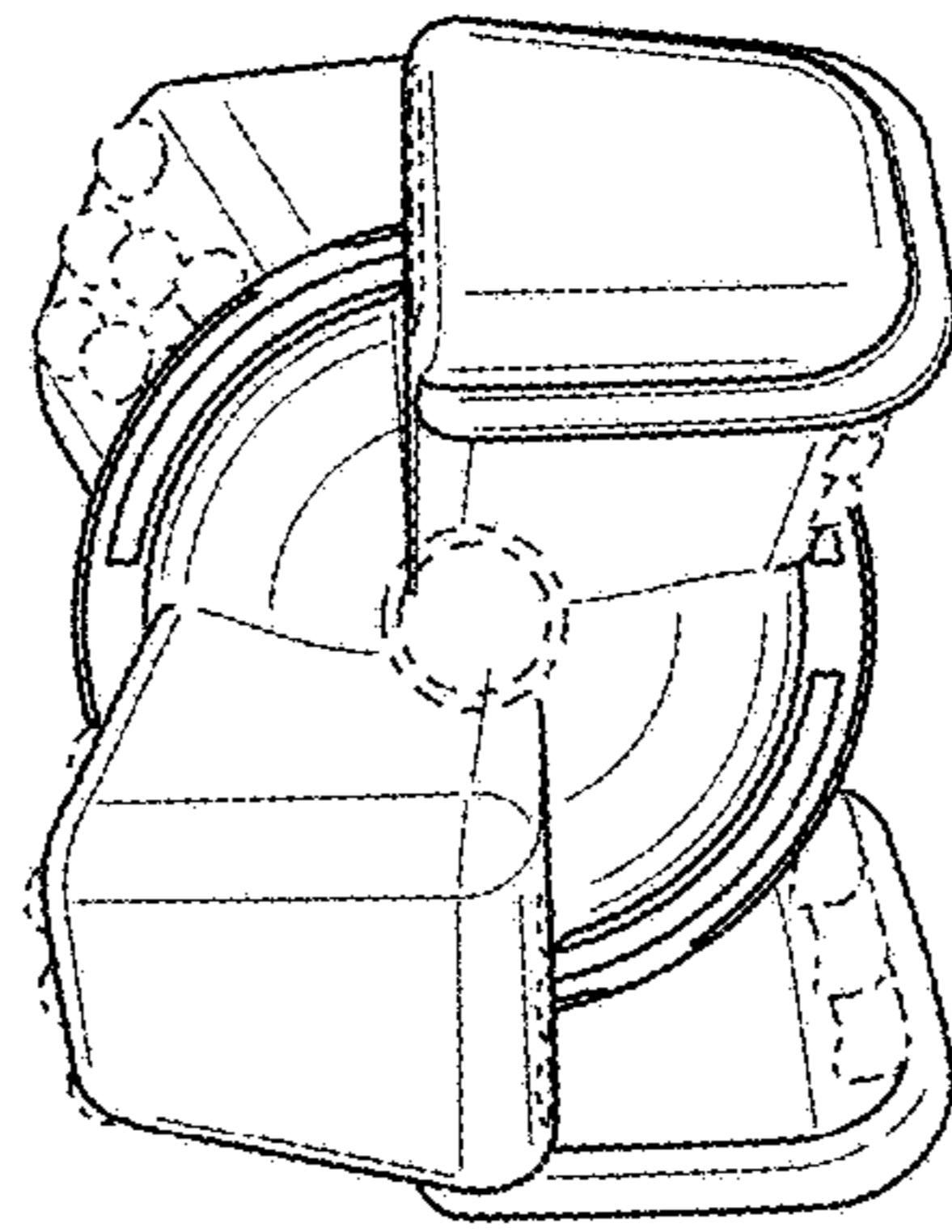


FIG. 4

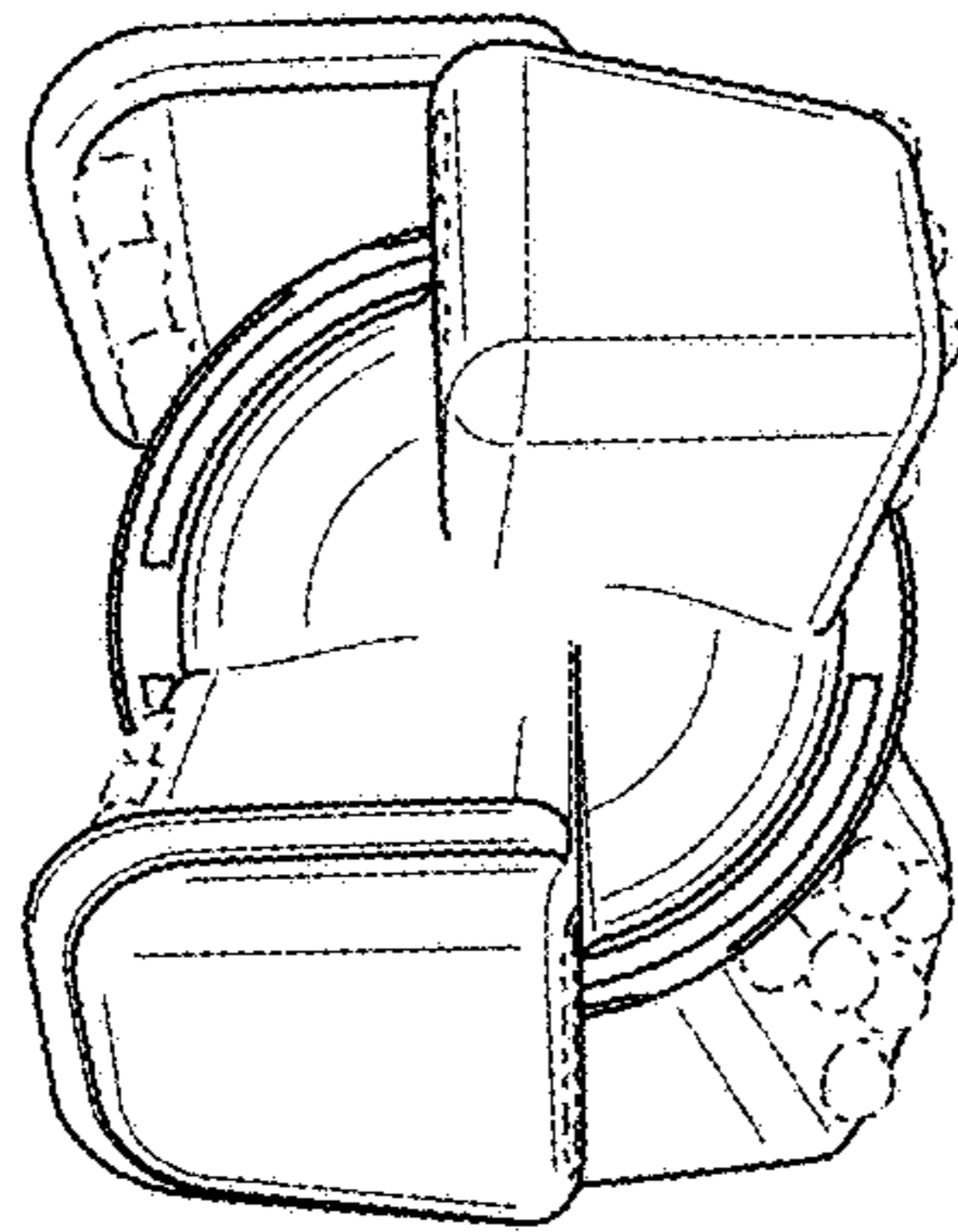


FIG. 5



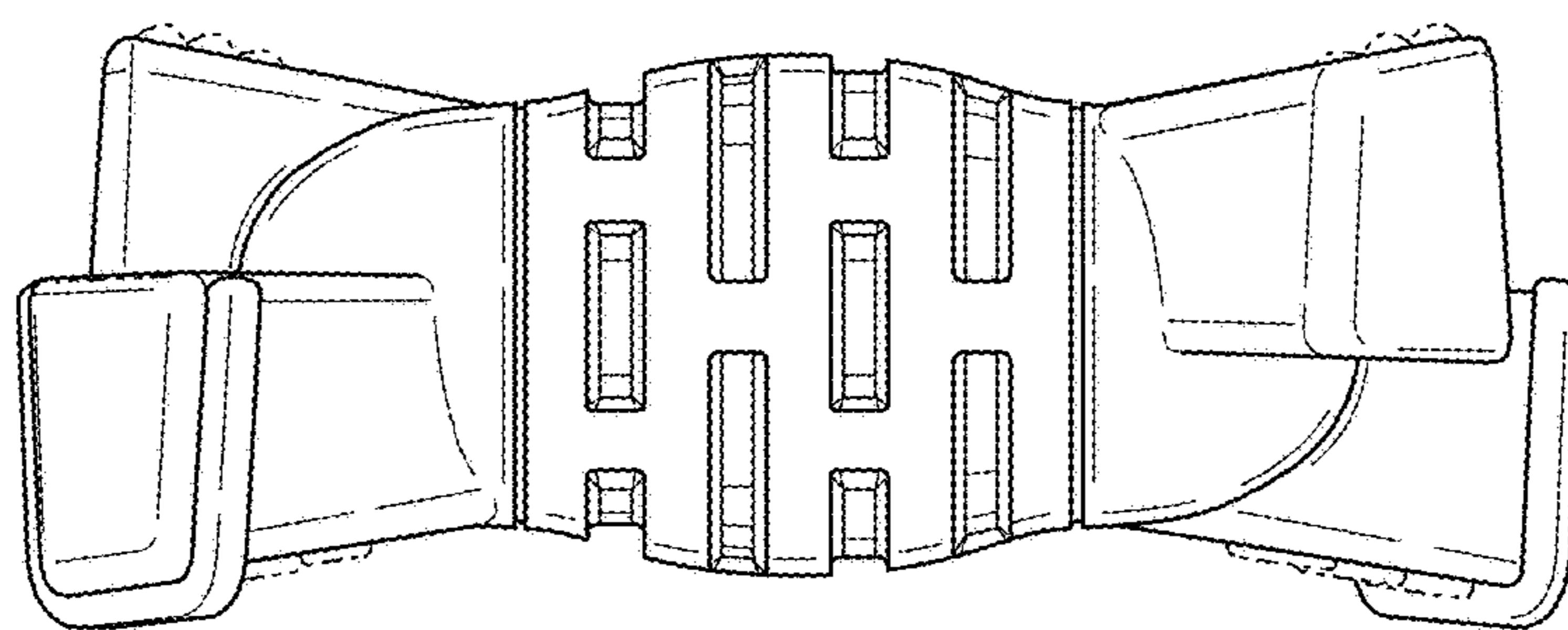


FIG. 6

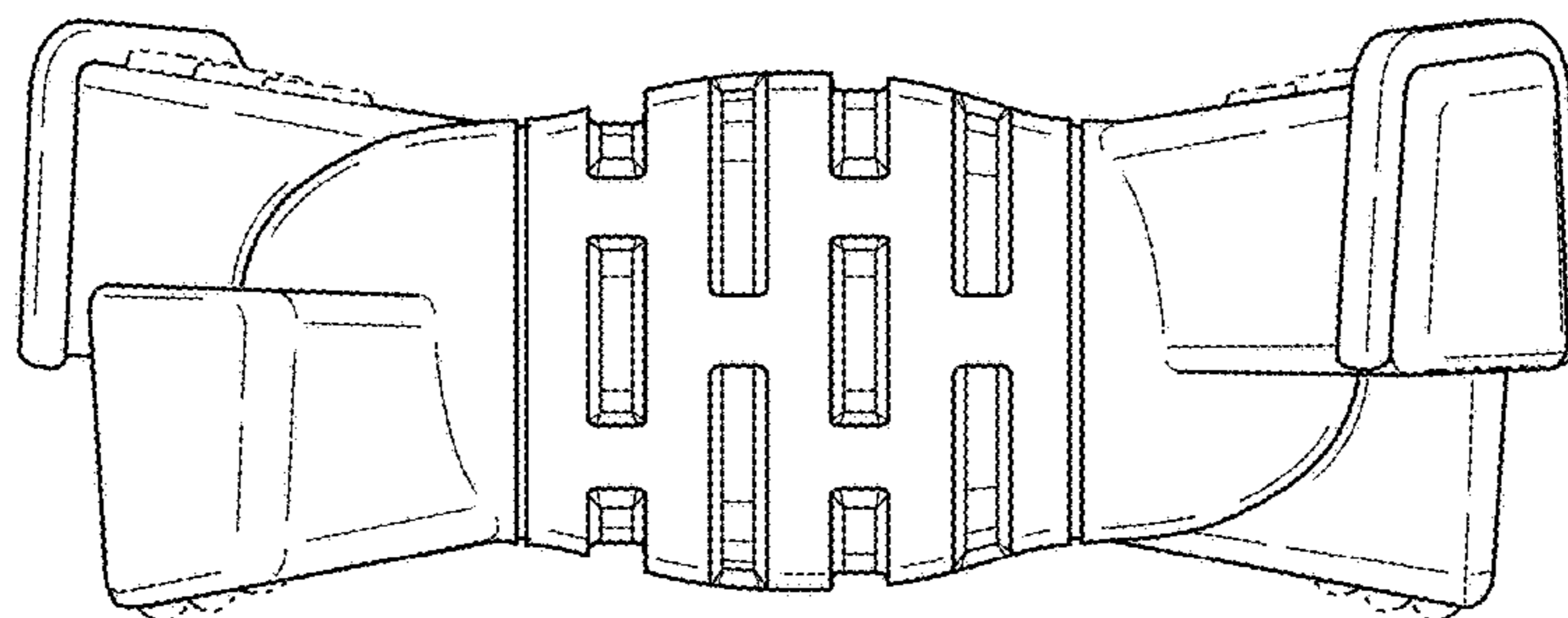


FIG. 7