



US00D859754S

(12) **United States Design Patent**
Coulter

(10) **Patent No.:** **US D859,754 S**

(45) **Date of Patent:** **** Sep. 10, 2019**

(54) **PET PAD WITH ATTACHED BLANKET AND REMOVABLE PILLOW**

(71) Applicant: **Judith Lynn Coulter**, Reno, NV (US)

(72) Inventor: **Judith Lynn Coulter**, Reno, NV (US)

(**) Term: **15 Years**

(21) Appl. No.: **29/600,650**

(22) Filed: **Apr. 13, 2017**

(51) **LOC (12) Cl.** **30-01**

(52) **U.S. Cl.**
USPC **D30/118**

(58) **Field of Classification Search**

USPC D30/118, 161; D21/339, 520; D6/333,
D6/349, 382-384, 388, 390, 392-394,
(Continued)

(56) **References Cited**

U.S. PATENT DOCUMENTS

4,077,062 A * 2/1978 Nielsen G09B 9/302
345/427
D291,334 S * 8/1987 Jensen D21/520
(Continued)

Primary Examiner — Barbara Fox

Assistant Examiner — Mehri F Bajoul

(74) *Attorney, Agent, or Firm* — Klarquist Sparkman,
LLP

(57) **CLAIM**

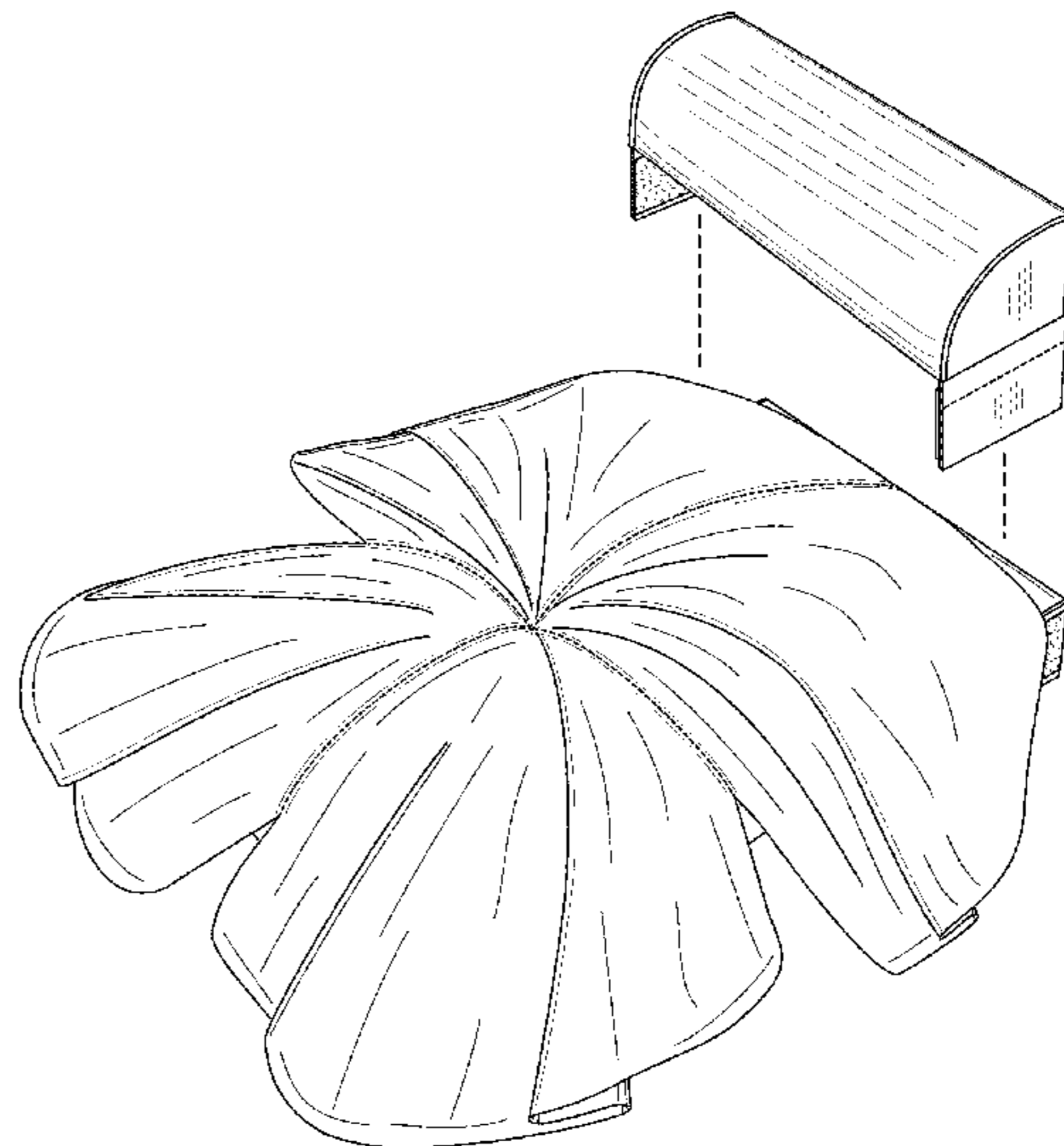
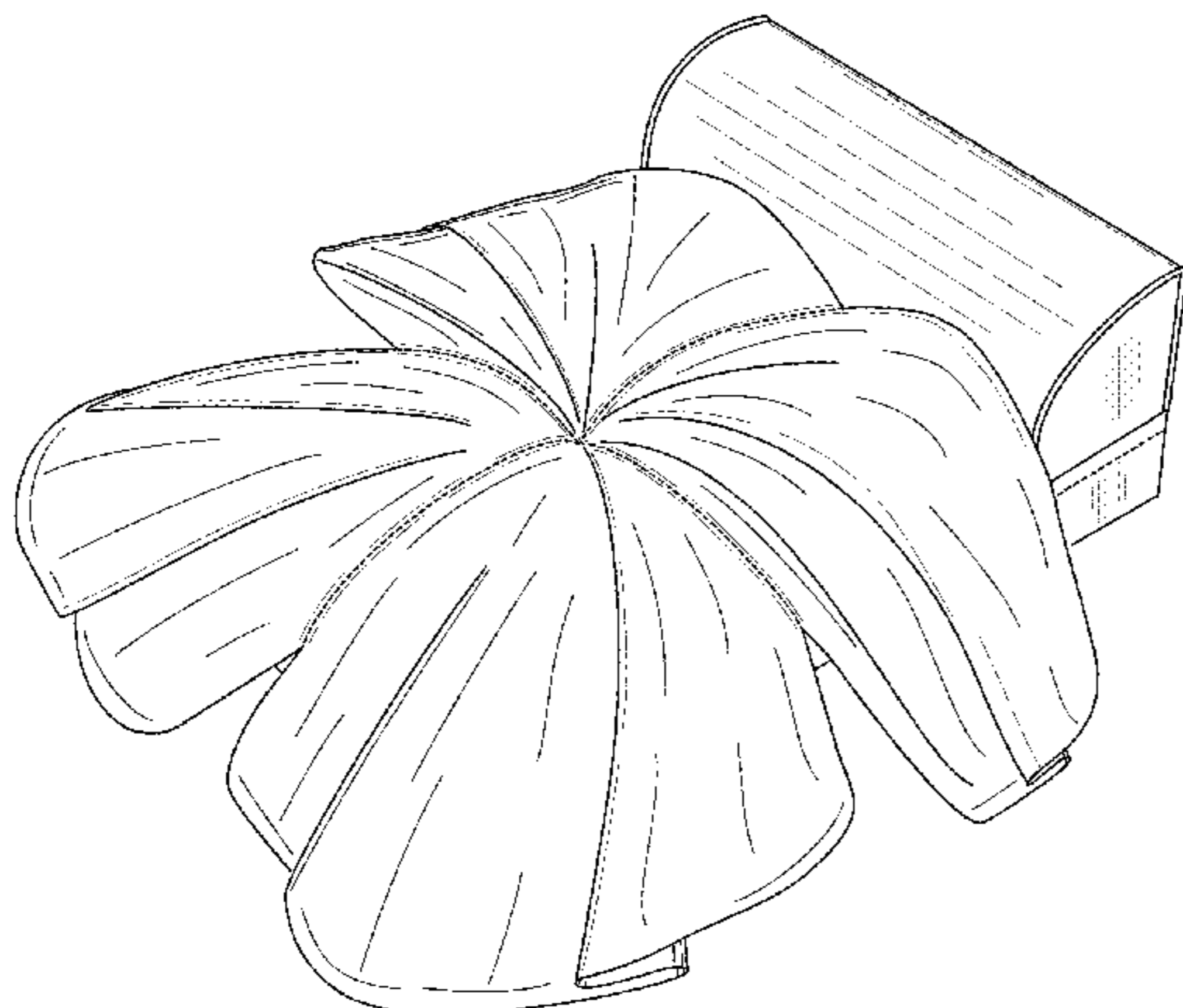
The ornamental design for a pet pad with attached blanket and removable pillow, as shown and described.

DESCRIPTION

FIG. 1 is a top perspective view of a pet pad with attached blanket and removable pillow showing the new design;

FIG. 2 is a top view of the pet pad of FIG. 1;
FIG. 3 is a bottom view of the pet pad of FIG. 1;
FIG. 4 is a right side elevational view of the pet pad of FIG. 1;
FIG. 5 is a left side elevational view of the pet pad of FIG. 1;
FIG. 6 is a rear elevational view of the pet pad of FIG. 1;
FIG. 7 is front elevational view of the pet pad of FIG. 1;
FIG. 8 is a top perspective view of the pet pad of FIG. 1 with the removable pillow removed from the pet pad;
FIG. 9 is a top perspective view of the pet pad shown with the removable pillow separated from the pet pad;
FIG. 10 is a top view of the removable pillow of FIG. 9;
FIG. 11 is a bottom view of the removable pillow of FIG. 9;
FIG. 12 is a rear elevational view of the removable pillow of FIG. 9;
FIG. 13 is a front elevational view of the removable pillow of FIG. 9;
FIG. 14 is a right side elevational view of the removable pillow of FIG. 9;
FIG. 15 is a left side elevational view of the removable pillow of FIG. 9;
FIG. 16 is a top view of the pet pad shown with the pet pad separated from the removable pillow;
FIG. 17 is a bottom view of the pet pad of FIG. 16;
FIG. 18 is a right side elevational view of the pet pad of FIG. 16;
FIG. 19 is a left side elevational view of the pet pad of FIG. 16;
FIG. 20 is a rear elevational view of the pet pad of FIG. 16;
and,
FIG. 21 is a front elevational view of the pet pad of FIG. 16.
In the figures, the thinner solid lines appearing within the boundaries of the pet pillow with attached blanket are shading lines used to indicate the contoured surfaces of the pet pillow with attached blanket.

1 Claim, 10 Drawing Sheets



(58) **Field of Classification Search**

USPC D6/595–596, 598, 601, 604; D28/8.1;
 D3/321; 119/28.5, 174; 5/93.1, 636, 655
 CPC A47C 21/022; A47G 9/0246; A01K 1/03;
 A01K 1/034; A01K 1/035; A01K 1/0272;
 A01K 1/0353

See application file for complete search history.

(56) **References Cited**

U.S. PATENT DOCUMENTS

D366,176 S *	1/1996	Gish	D6/596
6,113,841 A *	9/2000	Nielsen	B29C 49/78
			264/540
D534,692 S *	1/2007	Northrop	D30/118
D593,351 S *	6/2009	Song	D30/118
D629,164 S *	12/2010	Lamstein	D30/118
D661,844 S *	6/2012	Song	D30/118
D691,829 S *	10/2013	Berg	D6/601
D725,847 S *	3/2015	Coulter	D30/160
2002/0104166 A1 *	8/2002	Mangiaracina	A47D 13/08
			5/655
2008/0216752 A1 *	9/2008	Song	A01K 1/0353
			119/28.5
2013/0284099 A1 *	10/2013	Oakes, Jr.	A01K 29/00
			119/28.5
2014/0230735 A1 *	8/2014	Coulter	A01K 1/0353
			119/28.5
2015/0292495 A1 *	10/2015	Sweeney	F04B 19/22
			417/53
2017/0265426 A1 *	9/2017	Nelson	A01K 1/0125
2017/0265427 A1 *	9/2017	Nelson	F16C 11/10

* cited by examiner

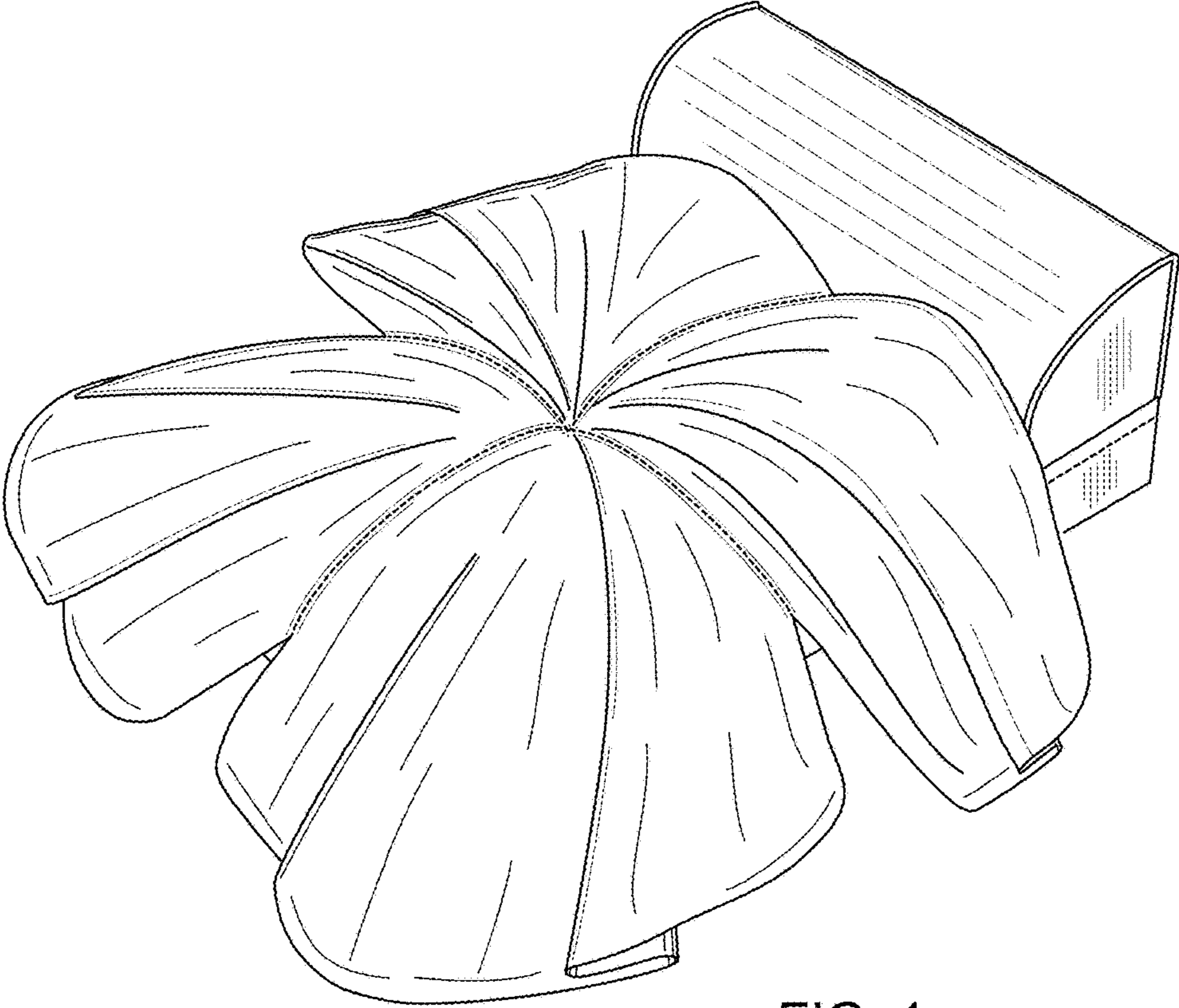


FIG. 1

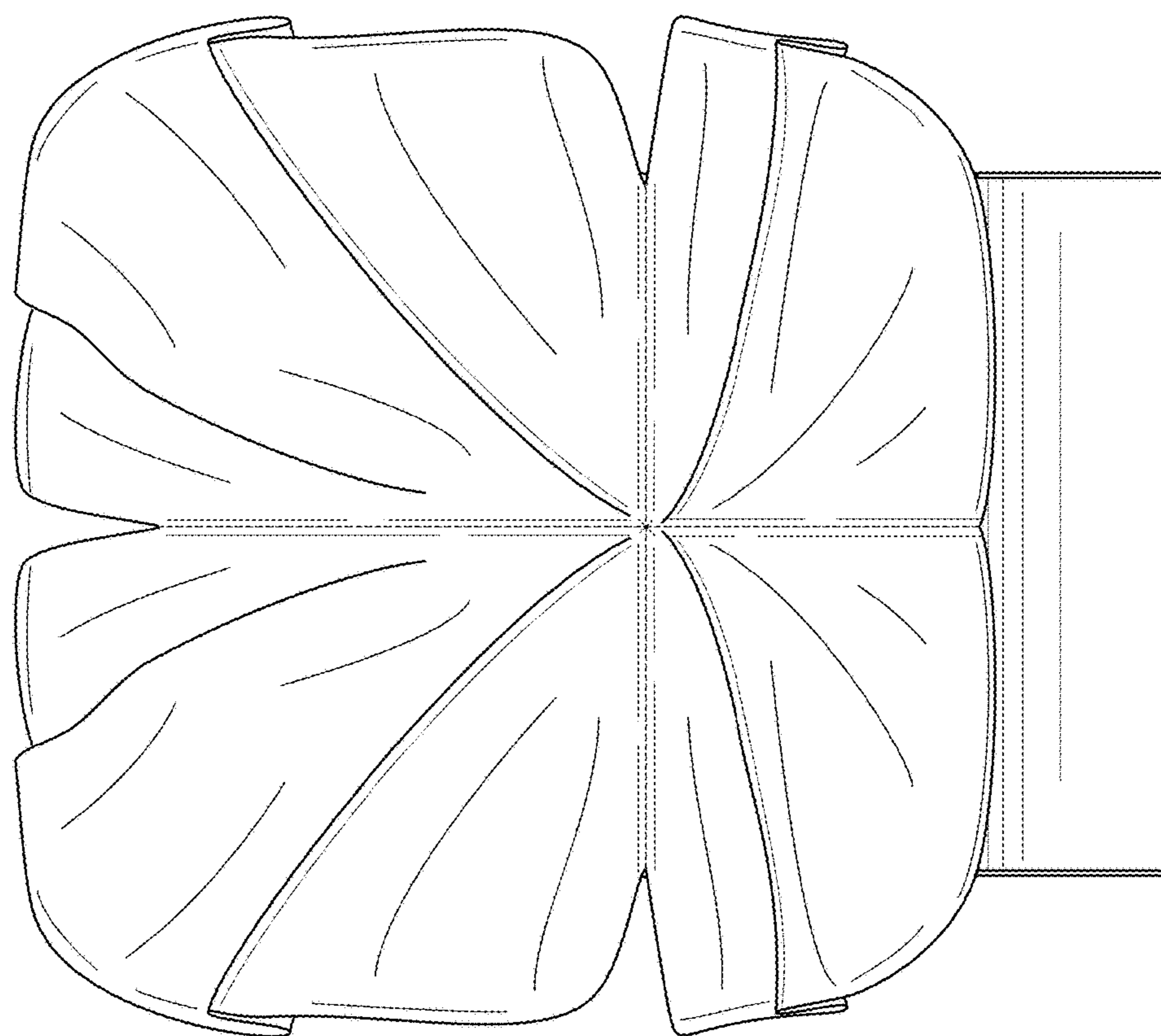


FIG. 2

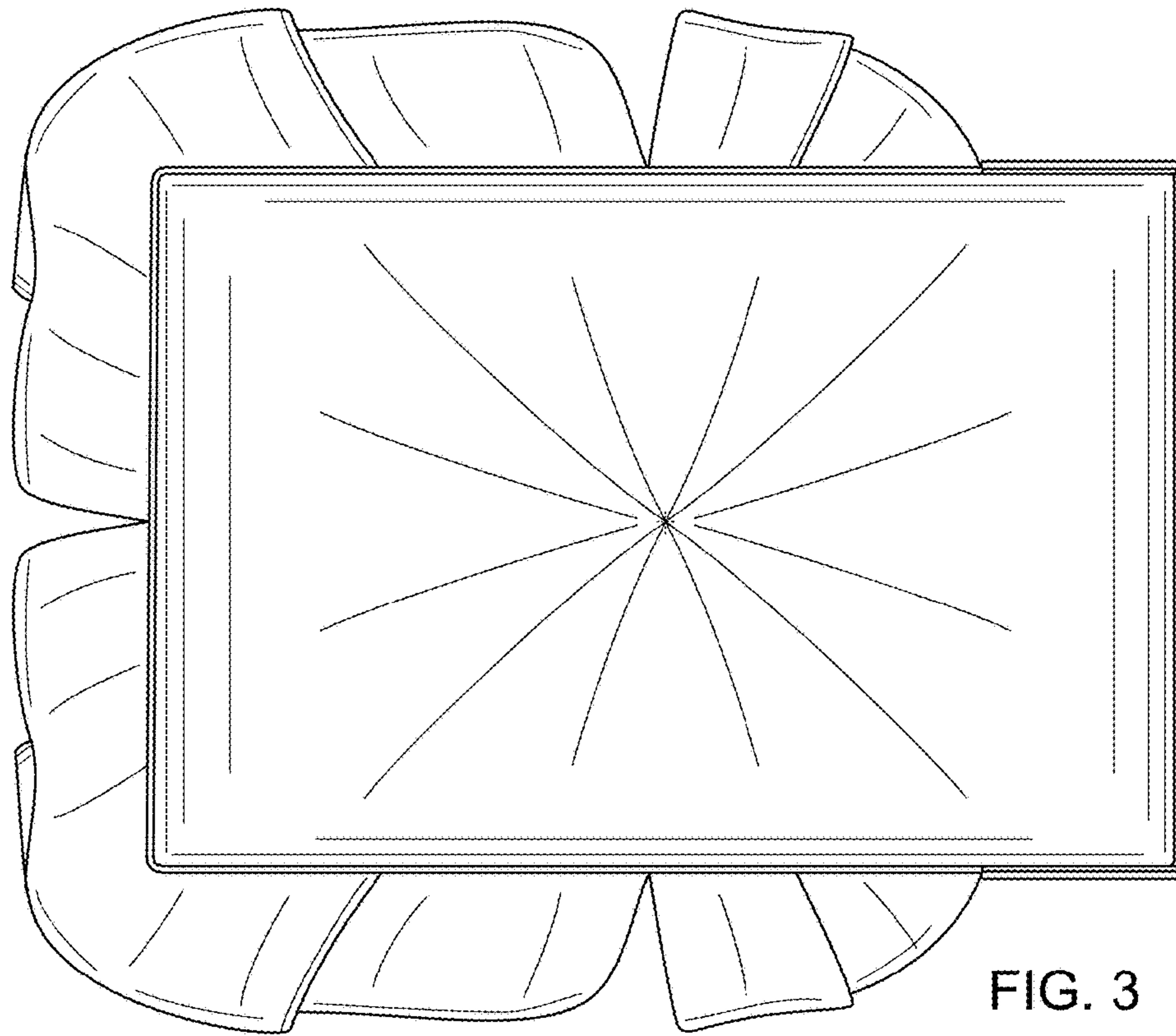


FIG. 3

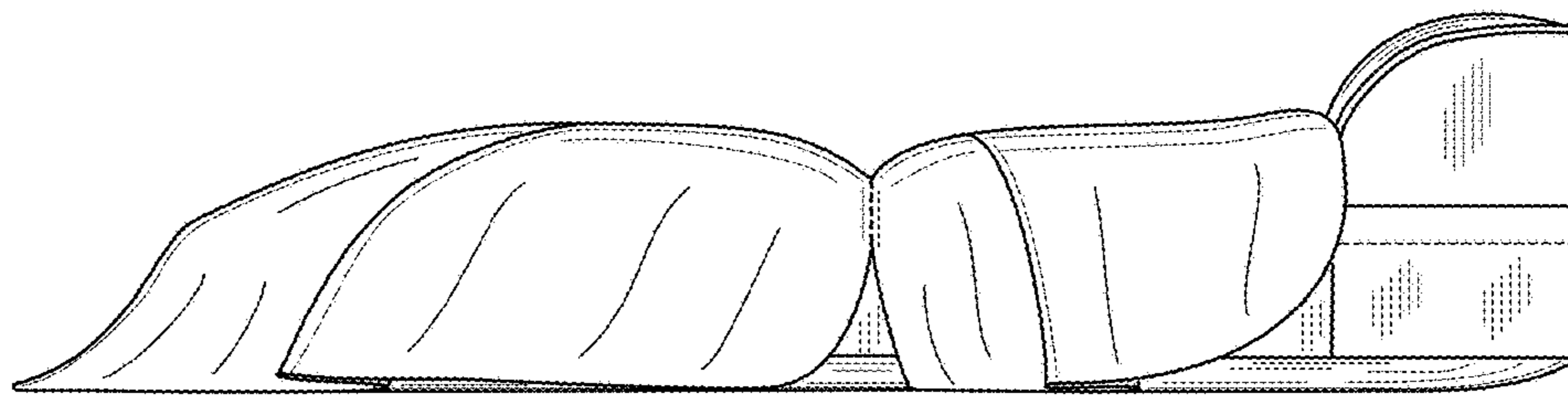


FIG. 4

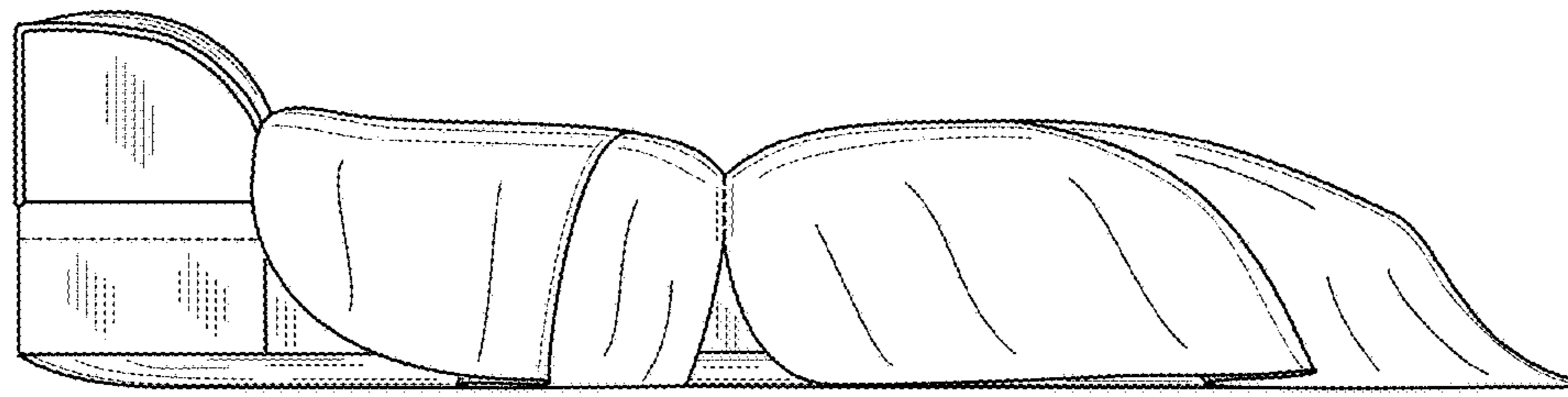


FIG. 5

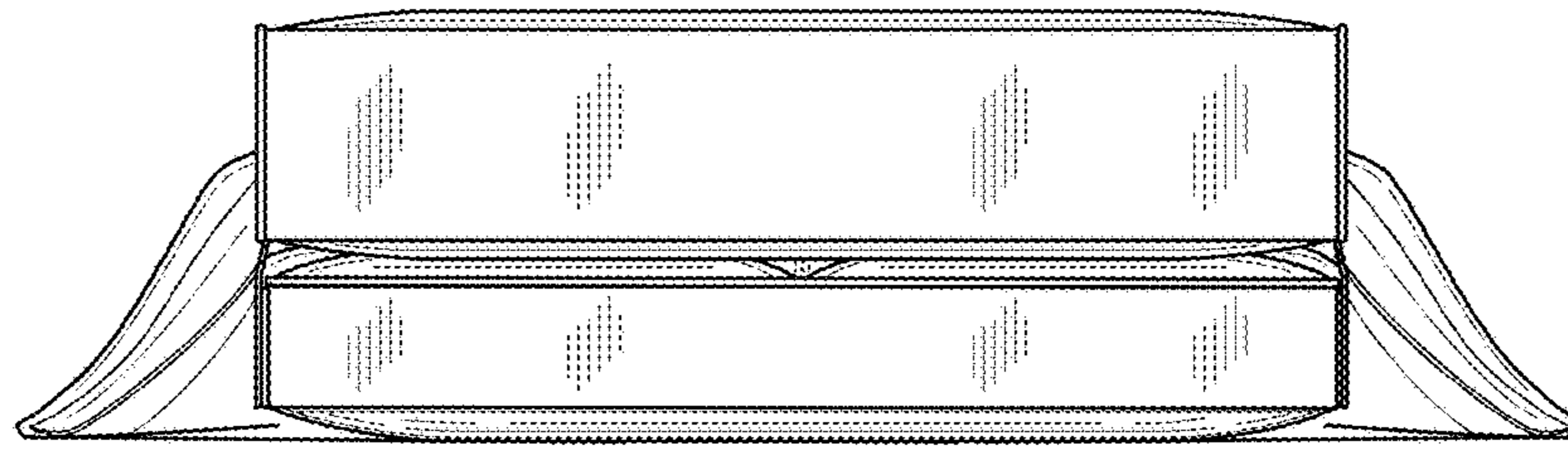


FIG. 6

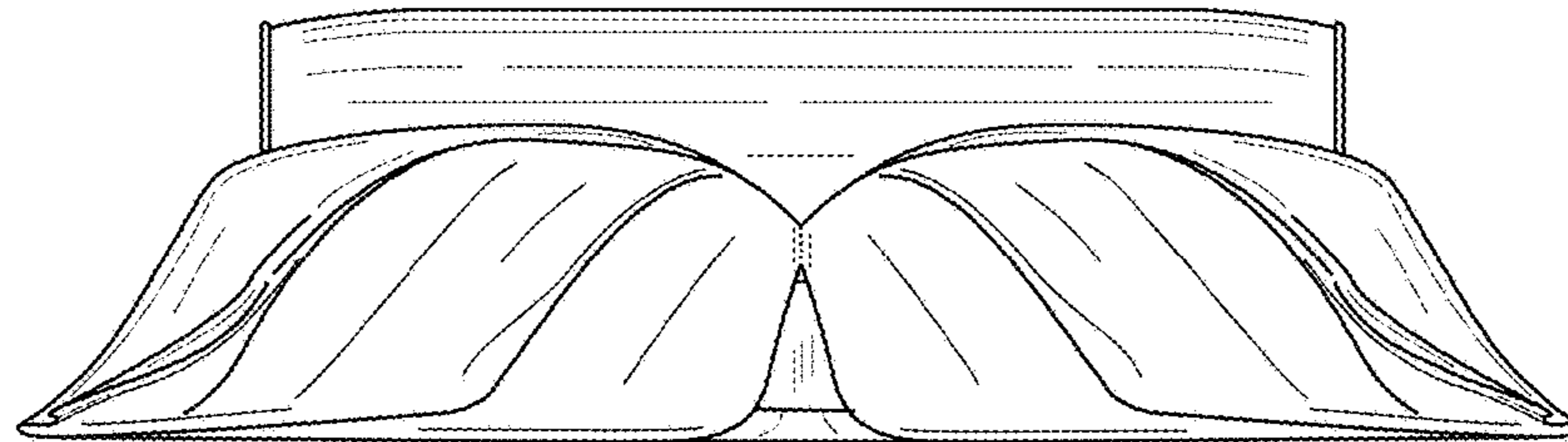


FIG. 7

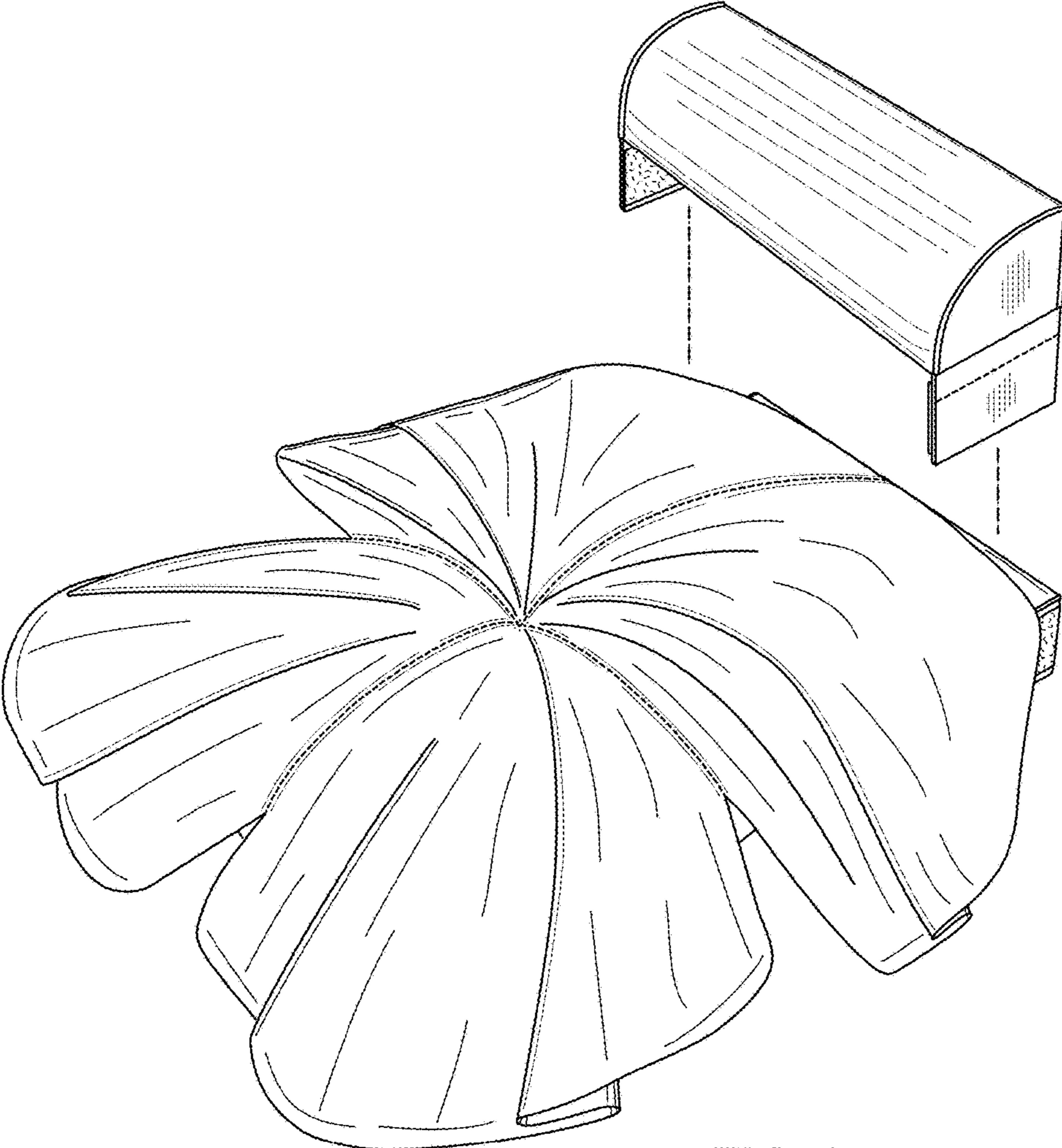


FIG. 8

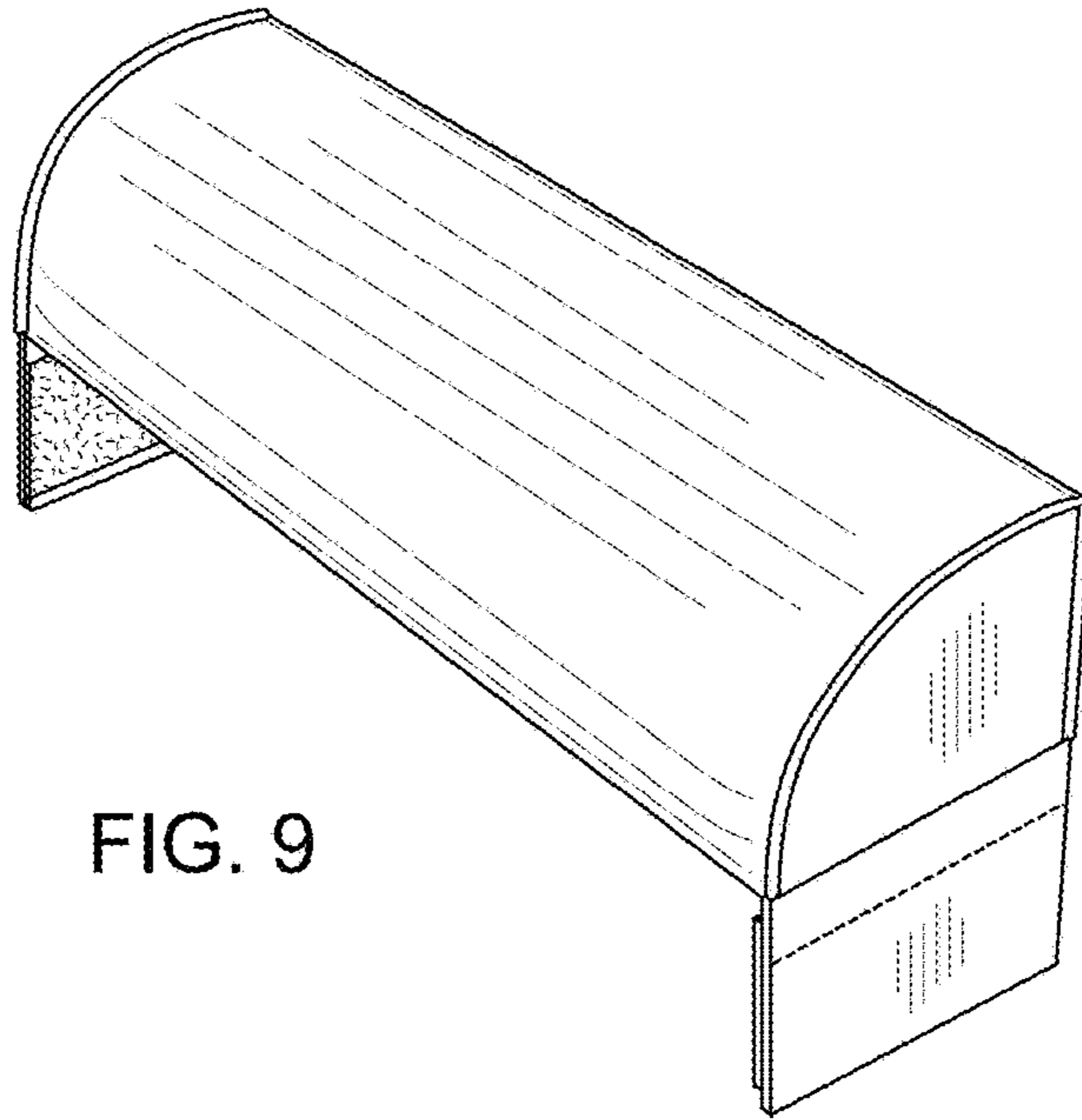


FIG. 9

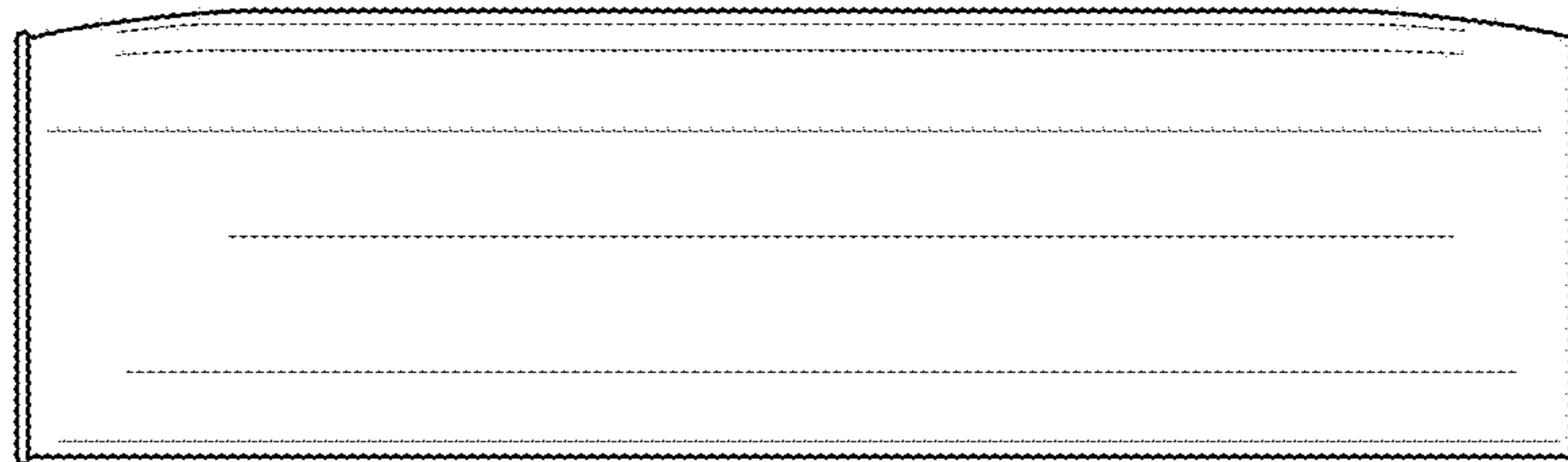


FIG. 10

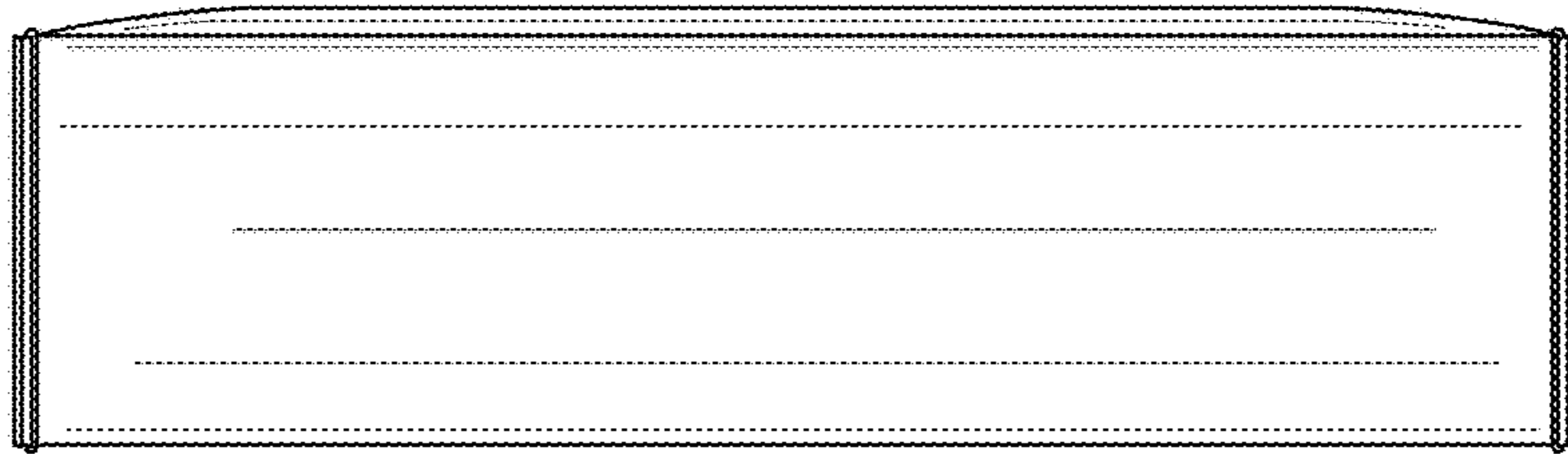


FIG. 11

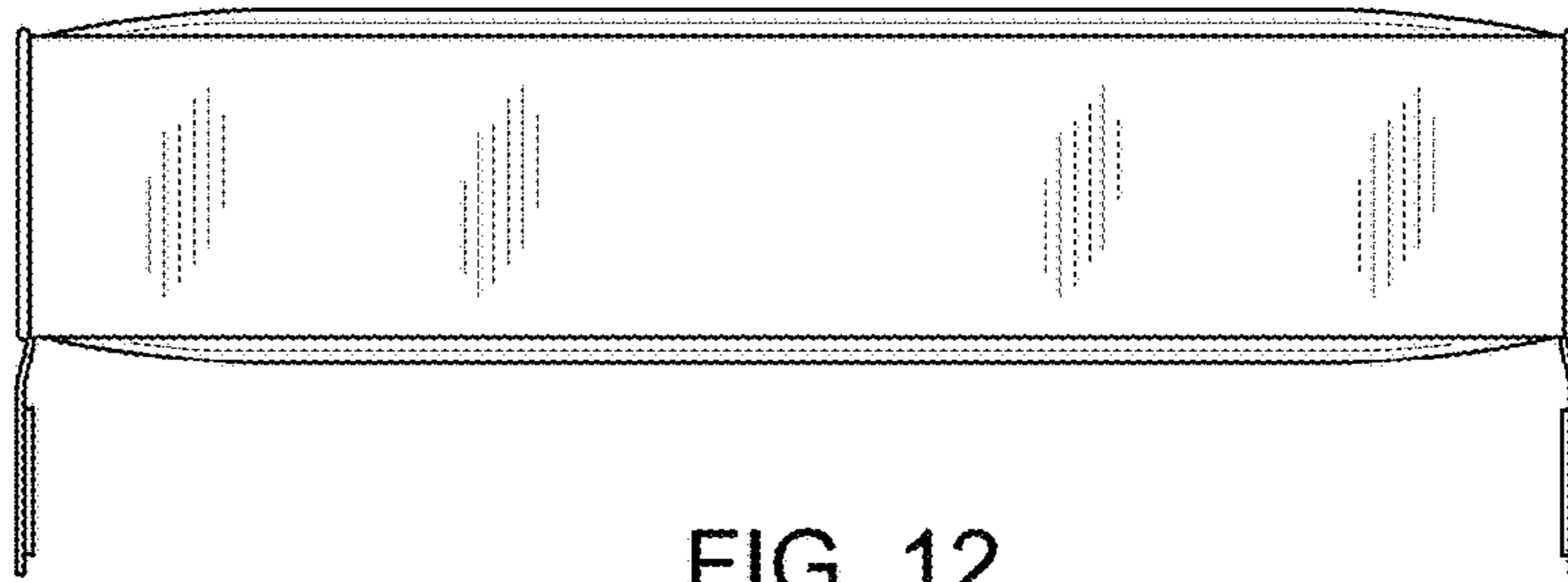


FIG. 12

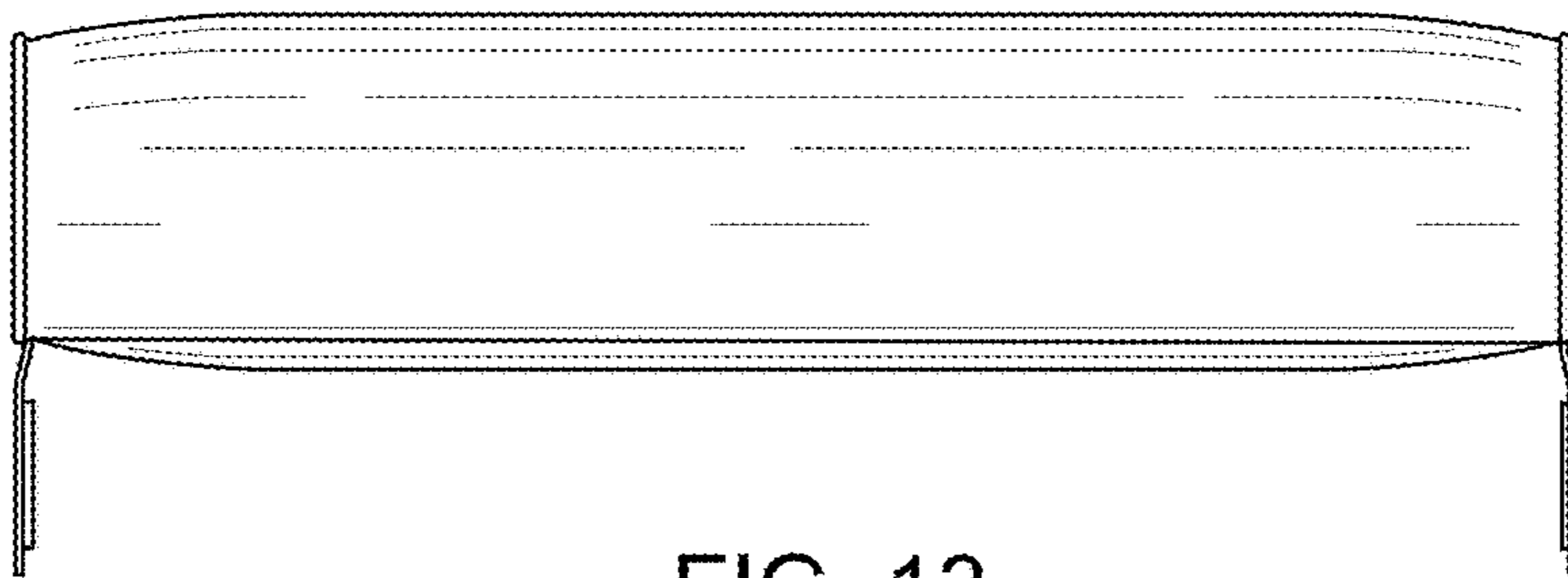


FIG. 13

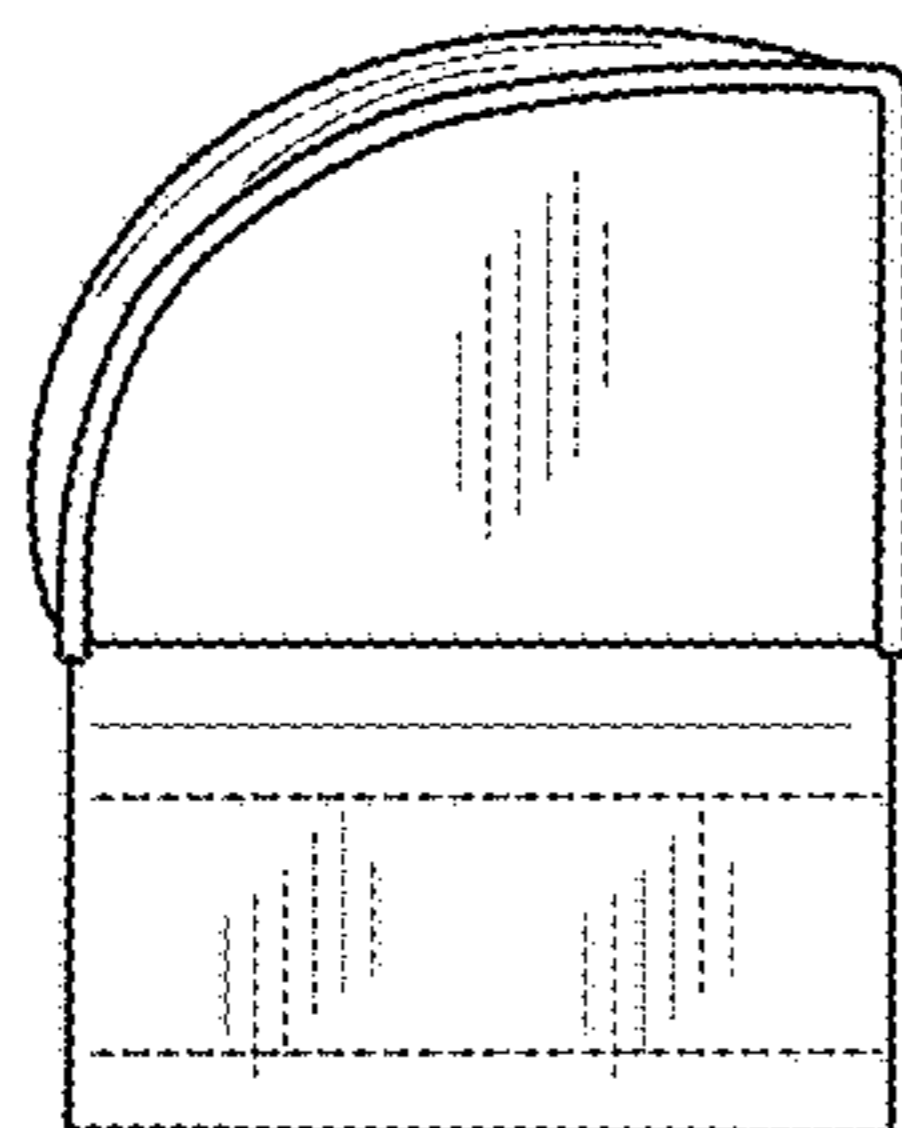


FIG. 14

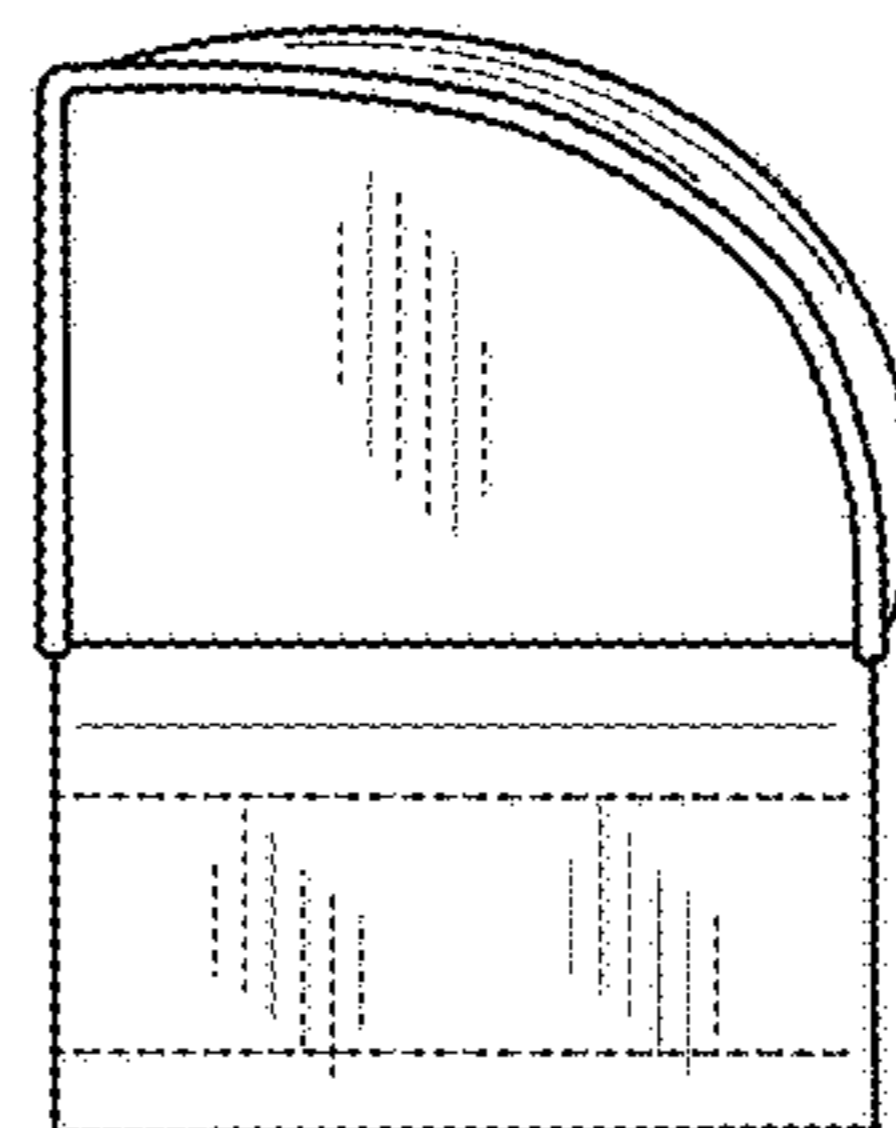


FIG. 15

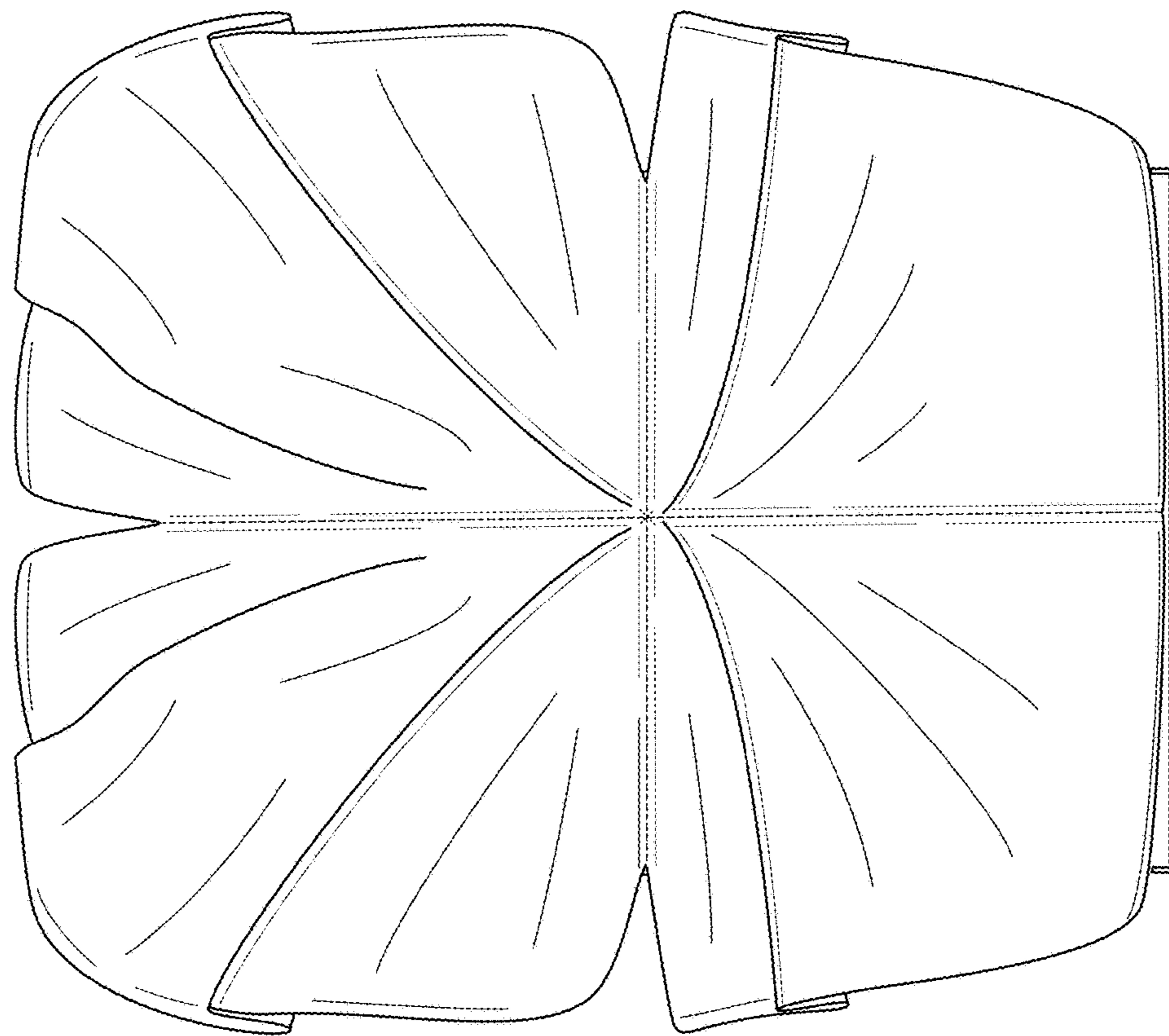


FIG. 16

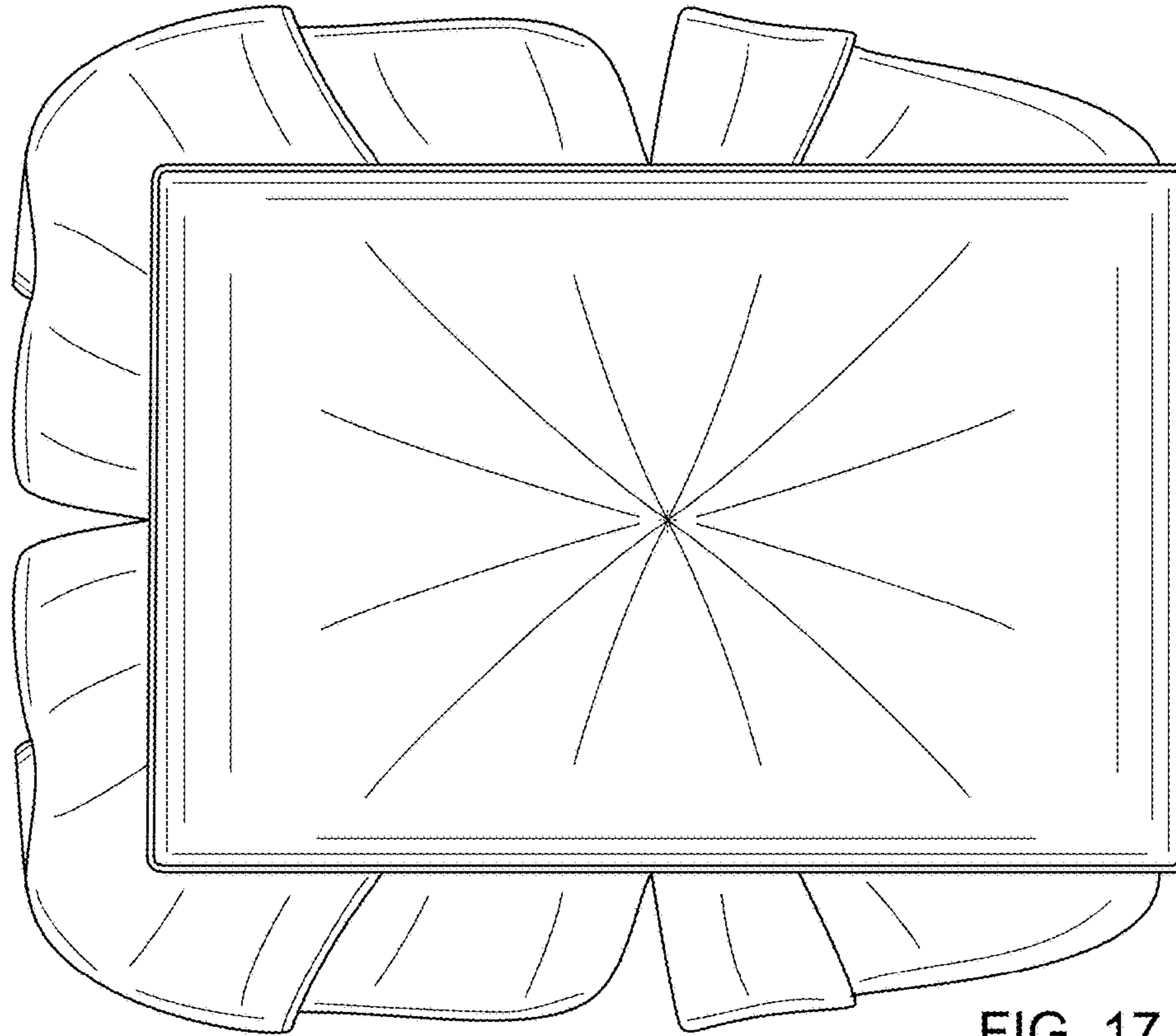


FIG. 17

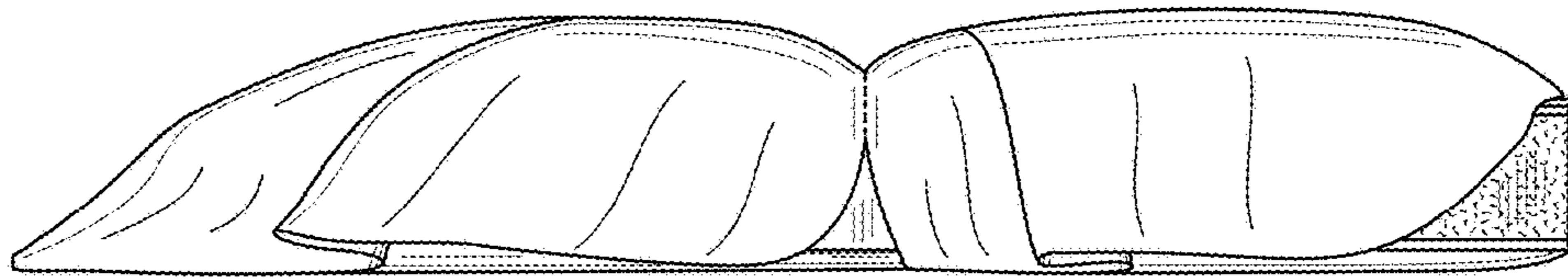


FIG. 18

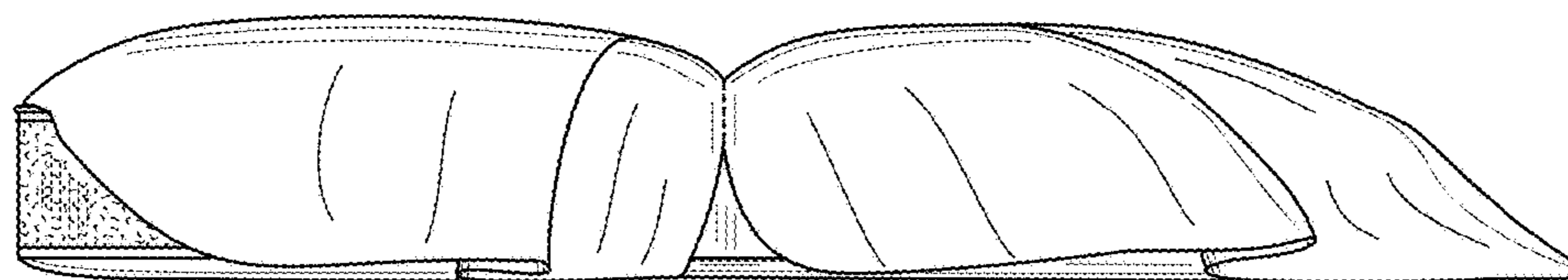


FIG. 19

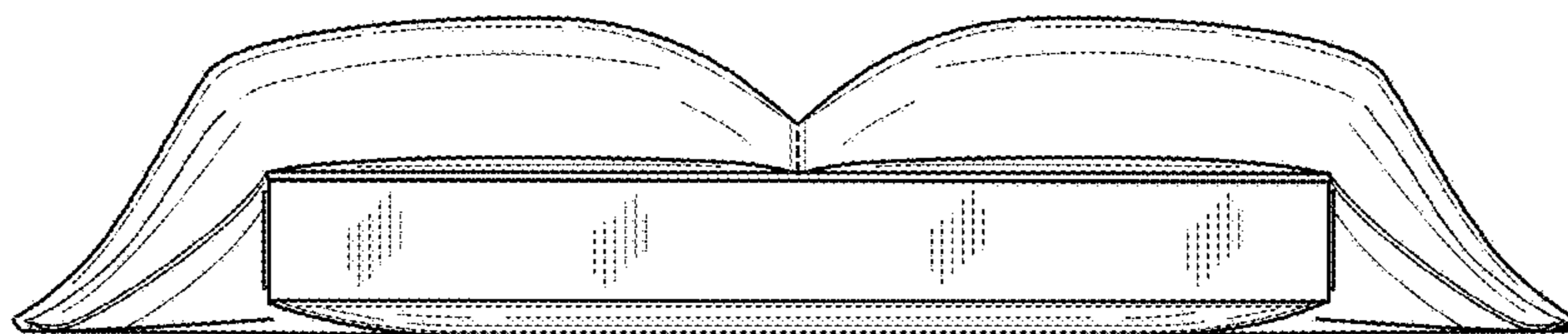


FIG. 20

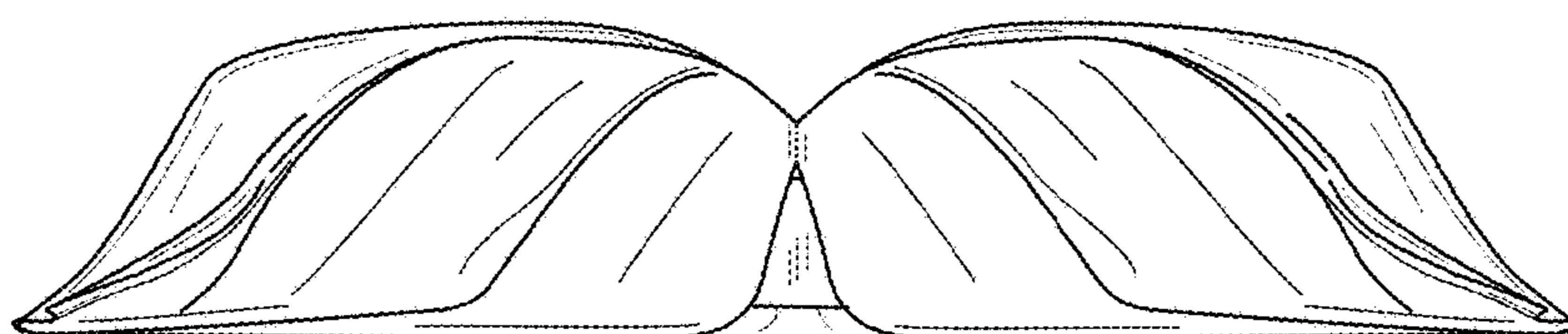


FIG. 21