



US00D859749S

(12) **United States Design Patent**
Howard

(10) **Patent No.:** **US D859,749 S**

(45) **Date of Patent:** **** Sep. 10, 2019**

- (54) **MOUTH GUARD**
- (71) Applicant: **Howard Innovations, LLC**, Osprey, FL (US)
- (72) Inventor: **Joshua D. Howard**, Osprey, FL (US)
- (73) Assignee: **HOWARD INNOVATIONS, LLC**, Osprey, FL (US)
- (**) Term: **15 Years**
- (21) Appl. No.: **29/645,202**
- (22) Filed: **Apr. 24, 2018**
- (51) **LOC (12) Cl.** **29-02**
- (52) **U.S. Cl.**
USPC **D29/108**
- (58) **Field of Classification Search**
USPC D29/100, 105, 106, 108, 122; D24/108, D24/109, 110, 110.5, 156, 176, 181
CPC . A61F 5/566; A61F 5/58; A63B 71/08; A63B 71/081; A63B 71/085; A63B 2071/085; A63B 2071/088; A61C 7/10; A61C 13/08; A61C 13/081; A61C 13/083; A61C 13/087; A61C 19/066; A61C 5/14; A61B 13/00; A61B 13/24
See application file for complete search history.

(56) **References Cited**

U.S. PATENT DOCUMENTS

- 2,966,908 A * 1/1961 Cathcart A63B 71/085
128/861
- 3,496,936 A * 2/1970 Gores A63B 71/085
128/861
- 3,878,610 A * 4/1975 Coscina A61C 9/0006
433/37
- 5,026,278 A * 6/1991 Oxman A61C 9/0006
433/37

- 5,511,562 A * 4/1996 Hancock A61F 5/00
128/859
- 5,611,355 A * 3/1997 Hilsen A61F 5/566
128/848
- D382,965 S * 8/1997 Wagner D29/108
- 5,970,981 A * 10/1999 Ochel A61F 5/58
128/859
- D444,559 S * 7/2001 Huffman D24/181
- 6,491,036 B2 * 12/2002 Cook A63B 71/085
128/859
- 7,040,897 B2 * 5/2006 Fischer A61C 19/066
433/216
- D597,675 S * 8/2009 Eli D24/181
- 9,737,377 B2 * 8/2017 Frey A61F 5/56
- D833,621 S * 11/2018 Tolentino D24/181
- 2016/0230007 A1 * 8/2016 Johnson C08L 23/16

* cited by examiner

Primary Examiner — Elizabeth J Oswecki

(74) *Attorney, Agent, or Firm* — Haynes and Boone, LLP

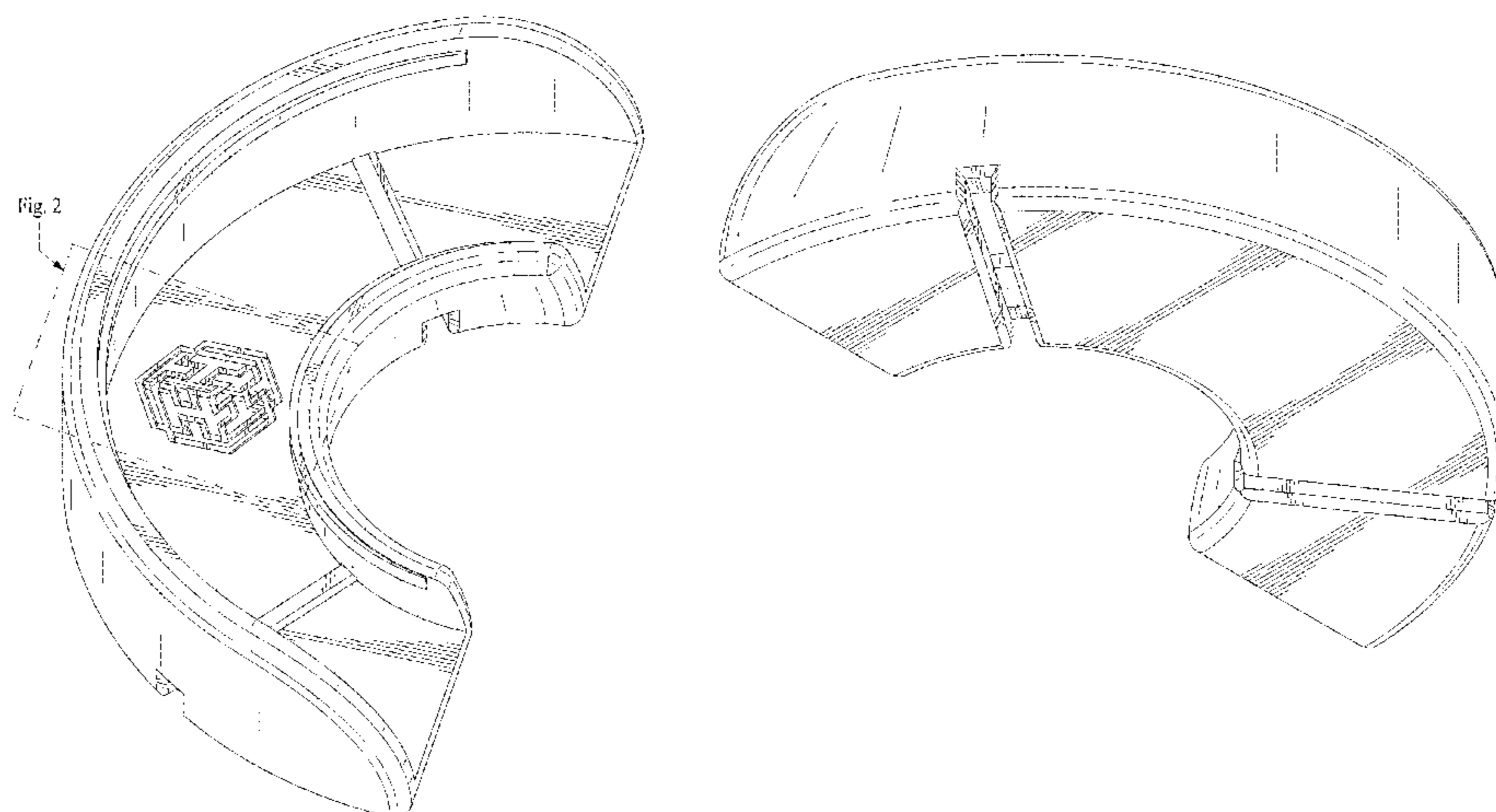
(57) **CLAIM**

The ornamental design for a mouth guard, as shown and described.

DESCRIPTION

FIG. 1 is a top perspective view of a mouth guard showing my new design;
 FIG. 2 is an enlarged portion view labeled FIG. 2 in FIG. 1;
 FIG. 3 is a bottom perspective view thereof;
 FIG. 4 is a rear elevational view thereof;
 FIG. 5 is a top plan view thereof;
 FIG. 6 is a front elevational view thereof;
 FIG. 7 is a right side elevational view thereof, the left side elevational view being a mirror image; and,
 FIG. 8 is a bottom plan view thereof.
 The long-dash-dot lines in FIGS. 1 and 2 indicate the boundary of the enlarged portion view of FIG. 2 and form no part of the claimed design.

1 Claim, 7 Drawing Sheets



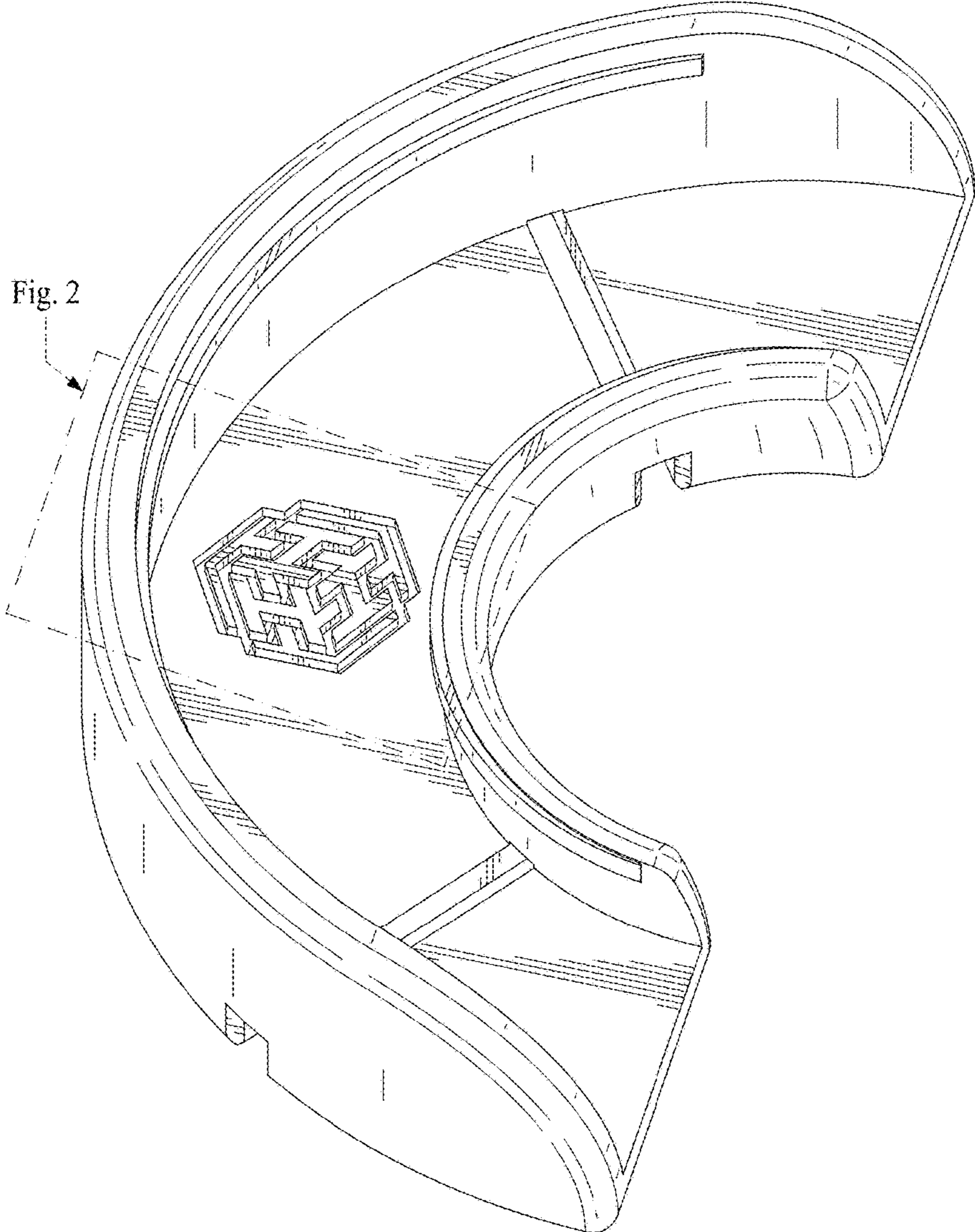


Fig. 1

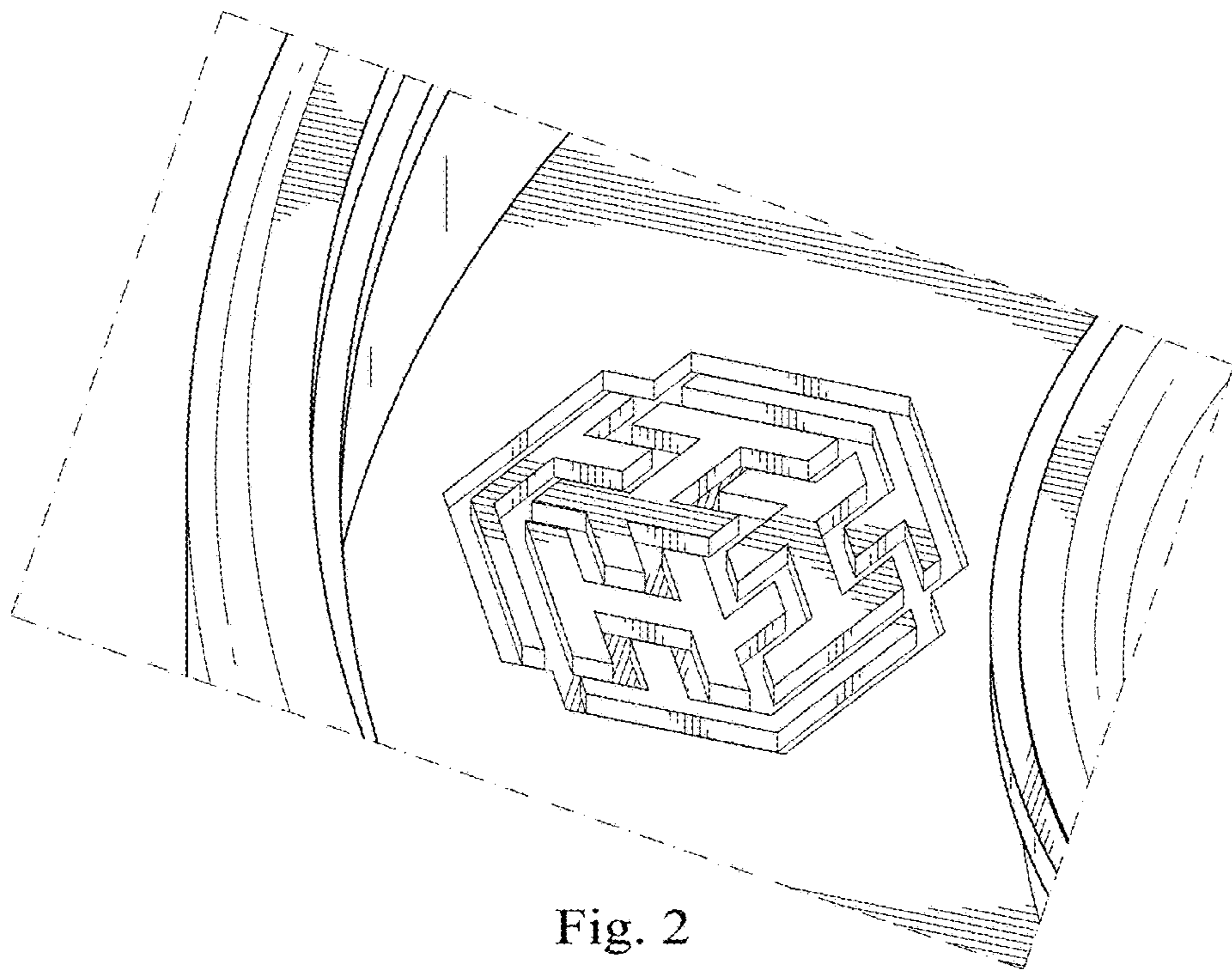


Fig. 2

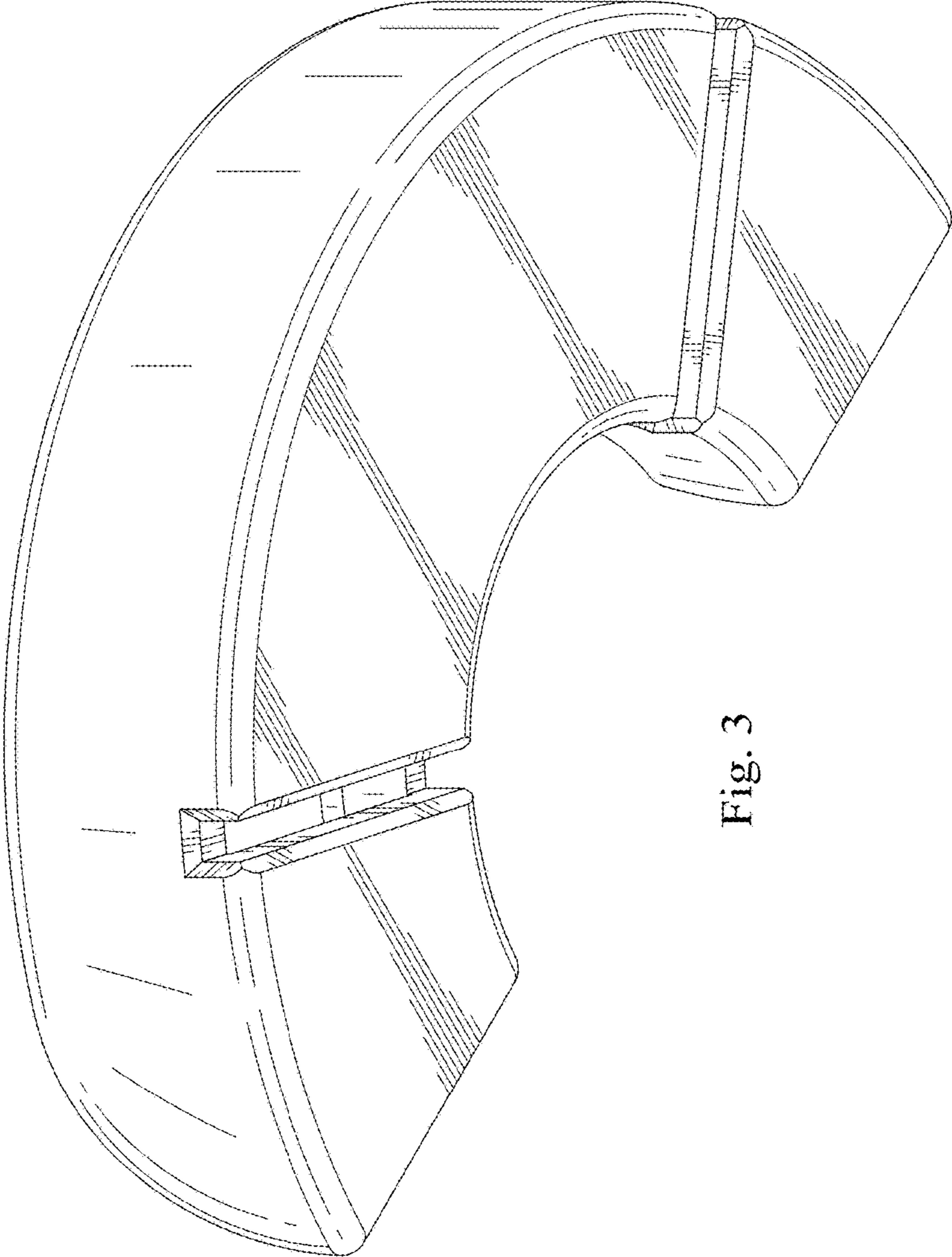


Fig. 3

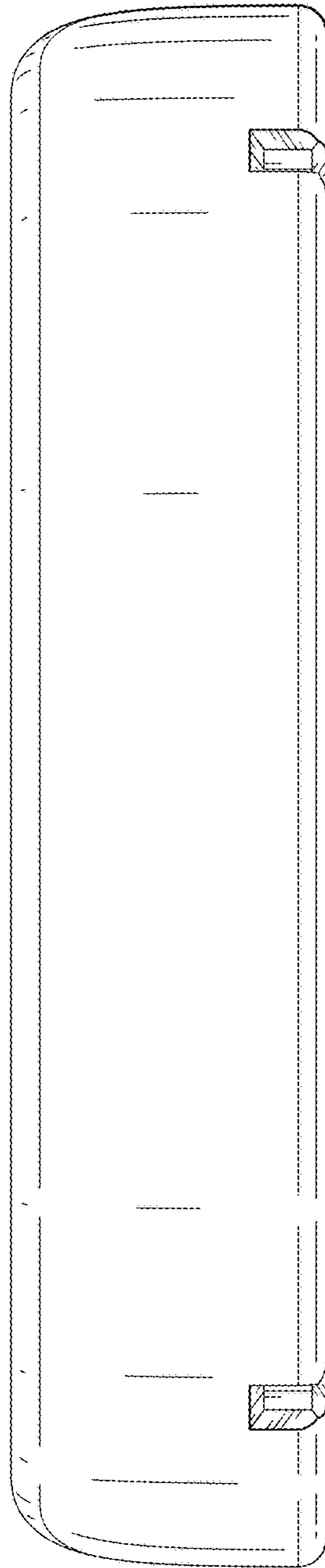


Fig. 4

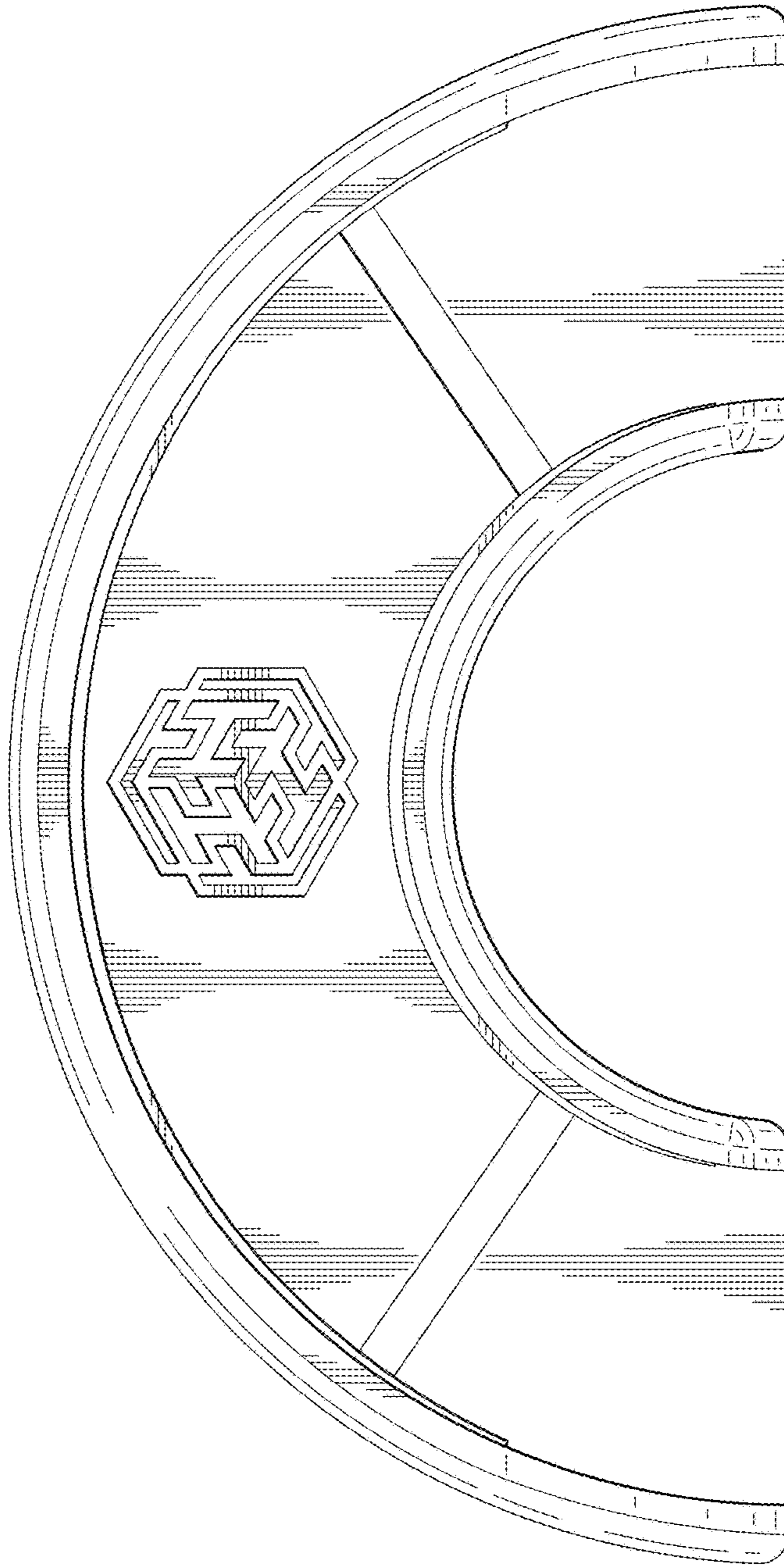


Fig. 5

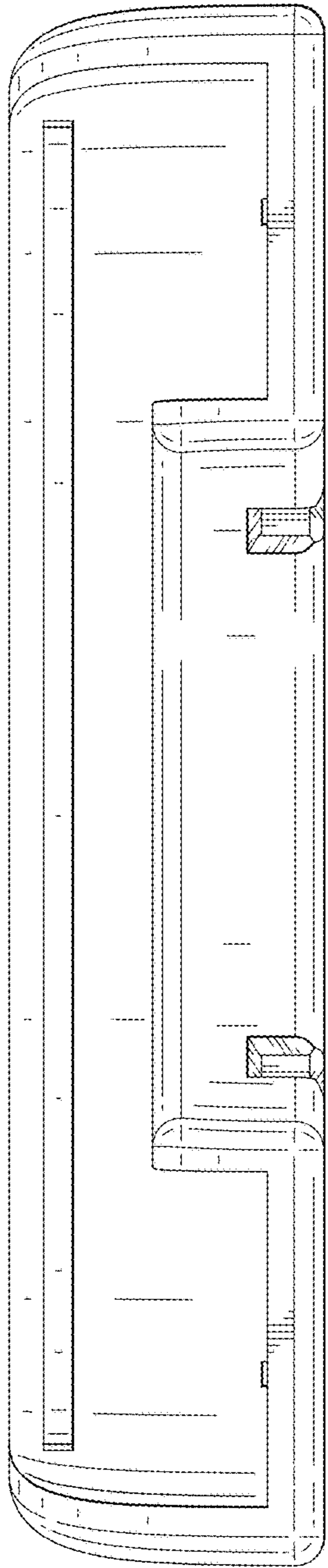


Fig. 6

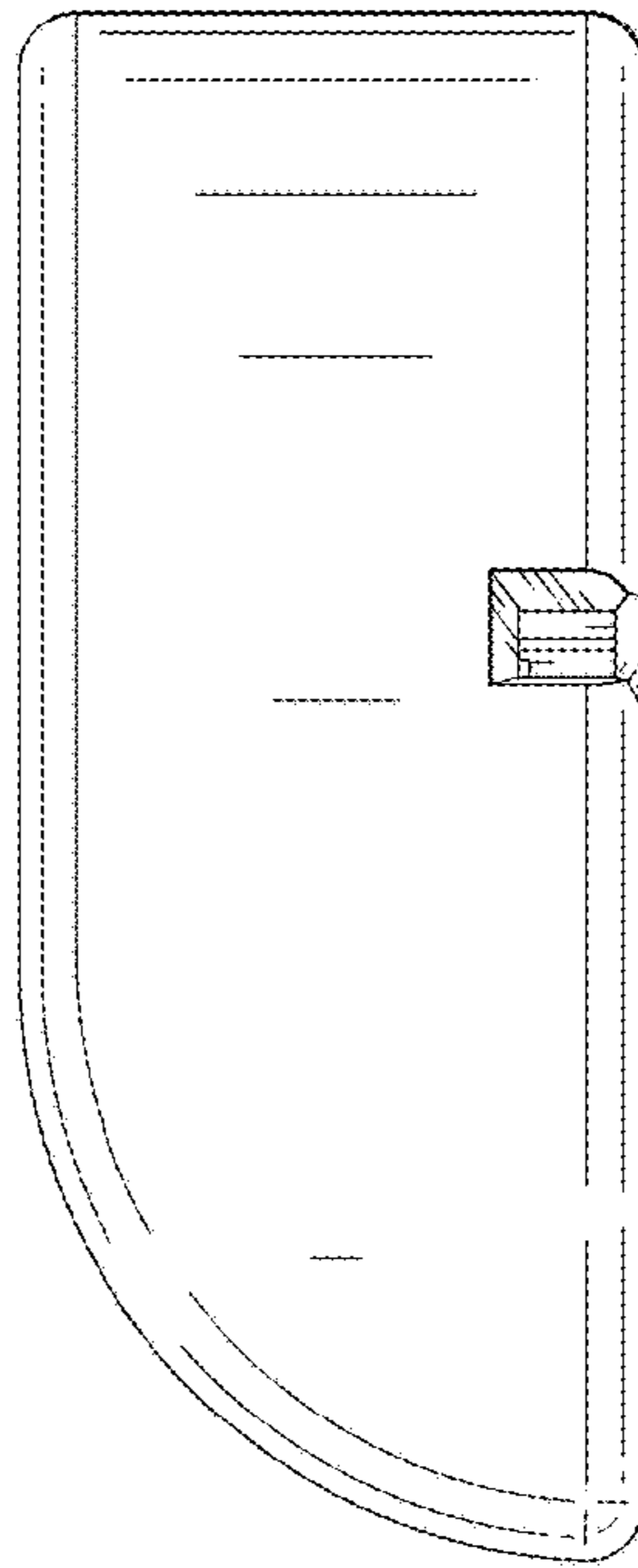


Fig. 7

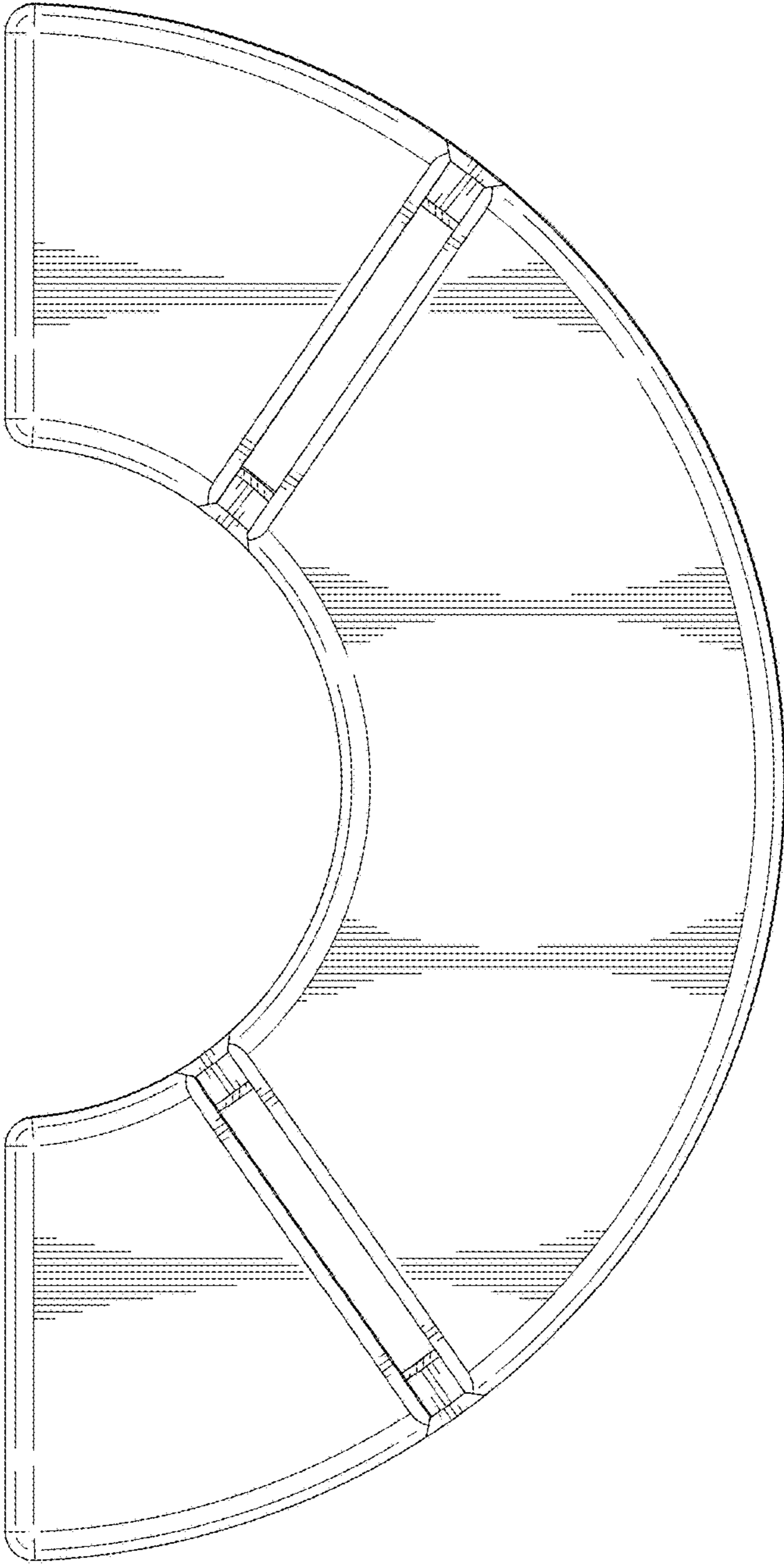


Fig. 8