



US00D859747S

(12) **United States Design Patent**
Garcia Mansilla et al.

(10) **Patent No.: US D859,747 S**

(45) **Date of Patent: ** Sep. 10, 2019**

(54) **HELMET**

(71) Applicant: **UNIT 1 GEAR, INC.**, Wilmington (DE)

(72) Inventors: **Juan Garcia Mansilla**, Buenos Aires (AR); **Javier Mariano Bertani**, Buenos Aires (AR)

(73) Assignee: **UNIT 1 GEAR, INC.**, Wilmington, DE (US)

(**) Term: **15 Years**

(21) Appl. No.: **29/657,344**

(22) Filed: **Jul. 20, 2018**

Related U.S. Application Data

(62) Division of application No. 29/594,601, filed on Feb. 21, 2017, now Pat. No. Des. 827,207.

(51) **LOC (12) Cl.** **09-03**

(52) **U.S. Cl.**
USPC **D29/106**

(58) **Field of Classification Search**
USPC D29/102–107, 122
CPC A42B 3/166; A42B 3/222; A42B 3/321;
A42B 3/127; A42B 3/125; A42B 3/128;
A42B 3/0433; A42B 3/0453; A42B
3/046; A42B 3/00; A42B 3/22; A42B
3/30; A42B 3/283; A42B 3/303; A42B
3/306; A63B 71/10; G06F 3/017; G06F
3/005; G06F 3/012

See application file for complete search history.

(56) **References Cited**

U.S. PATENT DOCUMENTS

D244,491 S *	5/1977	Csiki	D29/105
4,944,361 A *	7/1990	Lindgren	A42B 3/166 181/129
D403,128 S *	12/1998	Scanlon	D29/112
D527,846 S *	9/2006	Isenbarger	D29/103
7,283,641 B2 *	10/2007	Rolla	A42B 3/166 381/370
8,166,575 B2 *	5/2012	Haselmayer	A42B 3/166 2/10
D663,902 S *	7/2012	Karlsson	A61F 11/14 D14/205
D704,379 S *	5/2014	Lee	D29/103
9,168,176 B2 *	10/2015	Peebles	A63B 71/10
9,179,728 B2 *	11/2015	Pfanner	A42B 3/166
9,339,075 B2 *	5/2016	Ratliff	A42B 3/166

* cited by examiner

Primary Examiner — Ruth McInroy

(74) *Attorney, Agent, or Firm* — Hodgson Russ LLP

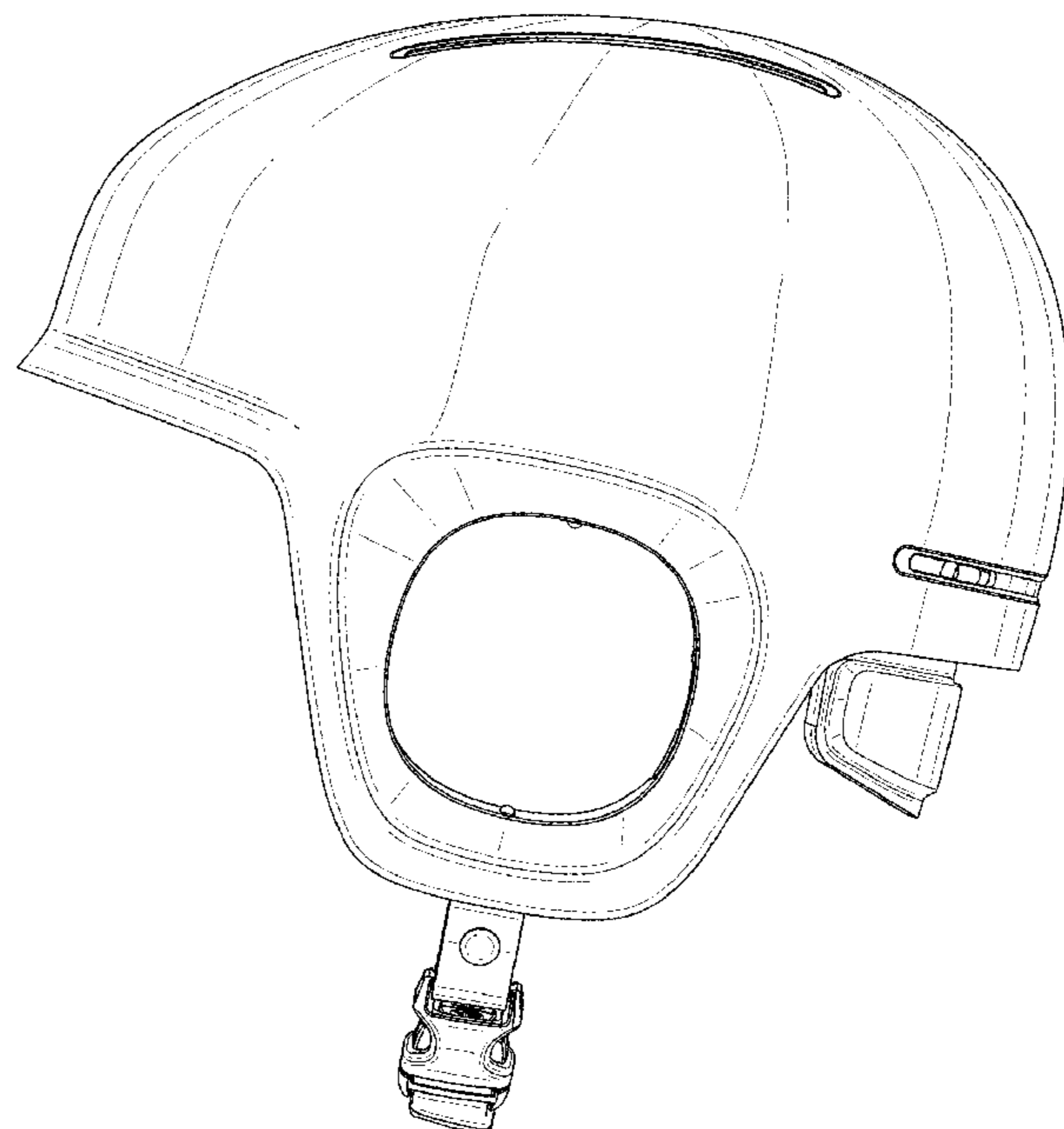
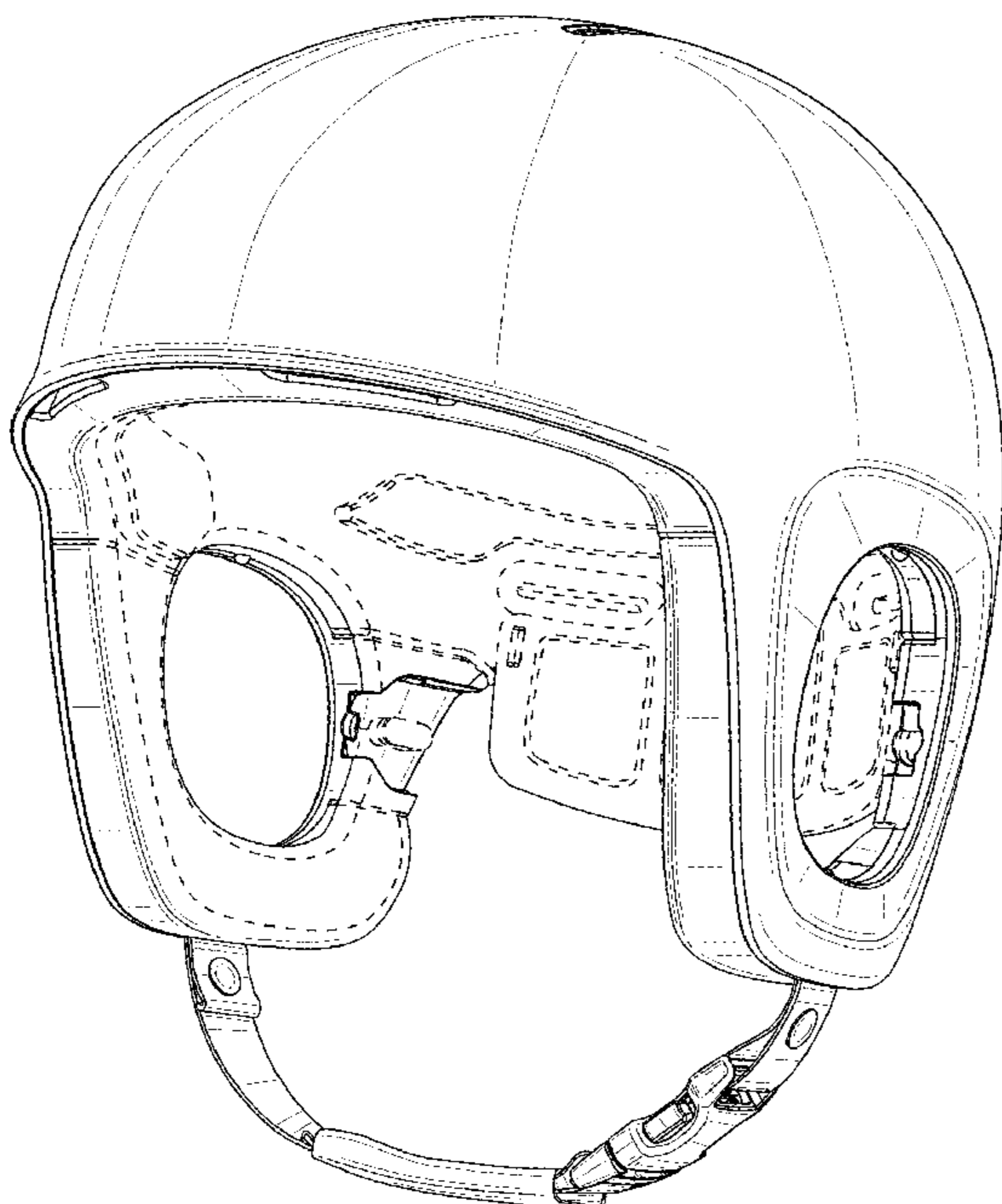
(57) **CLAIM**

The ornamental design for a helmet, as shown and described.

DESCRIPTION

FIG. 1 is a front perspective view of a helmet; FIG. 2 is a rear perspective view thereof; FIG. 3 is a bottom perspective view thereof; FIG. 4 is a front elevation view thereof; FIG. 5 is a rear elevation view thereof; FIG. 6 is a right side elevation view thereof; FIG. 7 is a left side elevation view thereof; FIG. 8 is a top plan view thereof; and, FIG. 9 is a bottom plan view thereof. The dashed lines represent unclaimed features of the helmet that form no part of the claimed design.

1 Claim, 9 Drawing Sheets



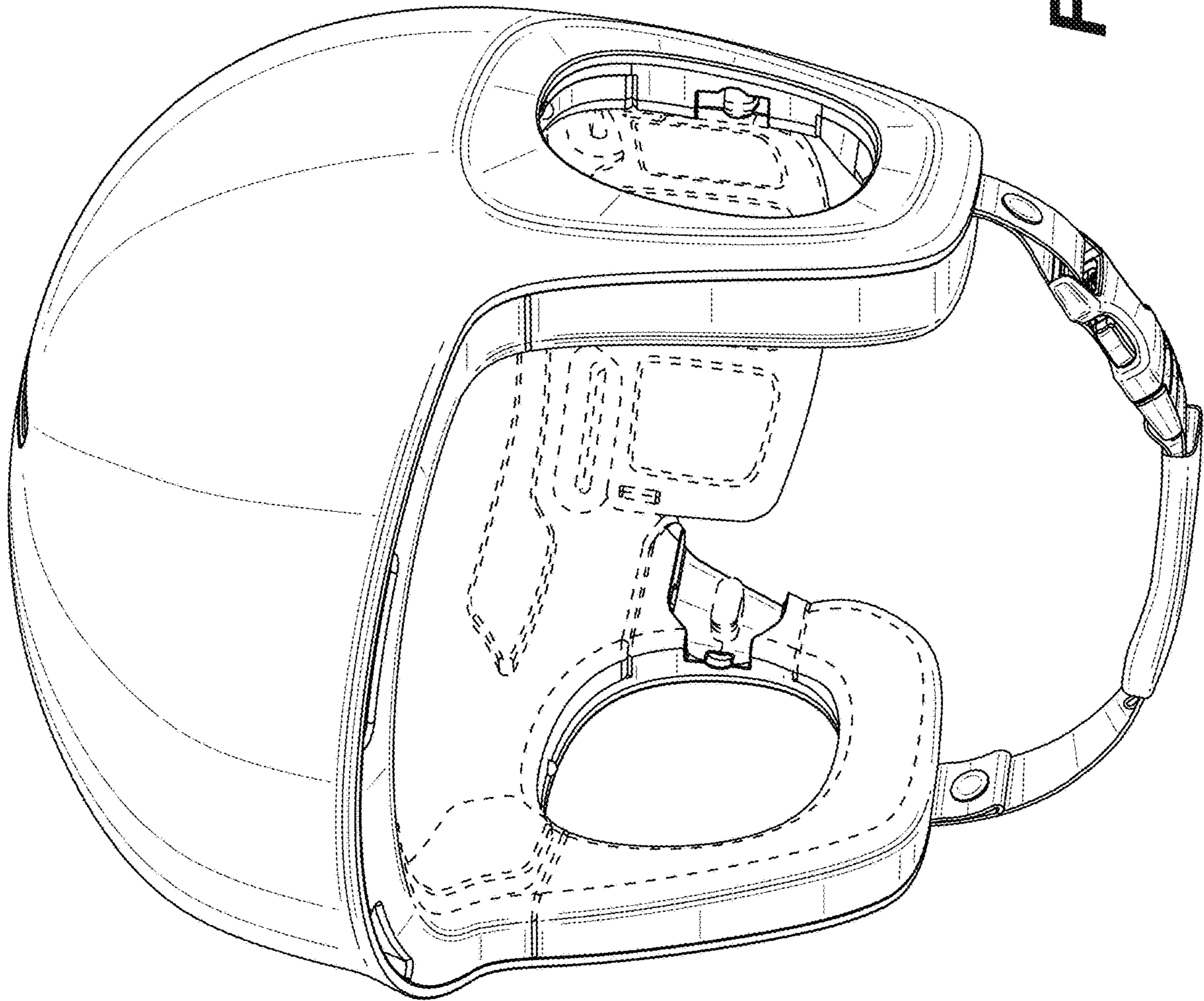


FIG. 1

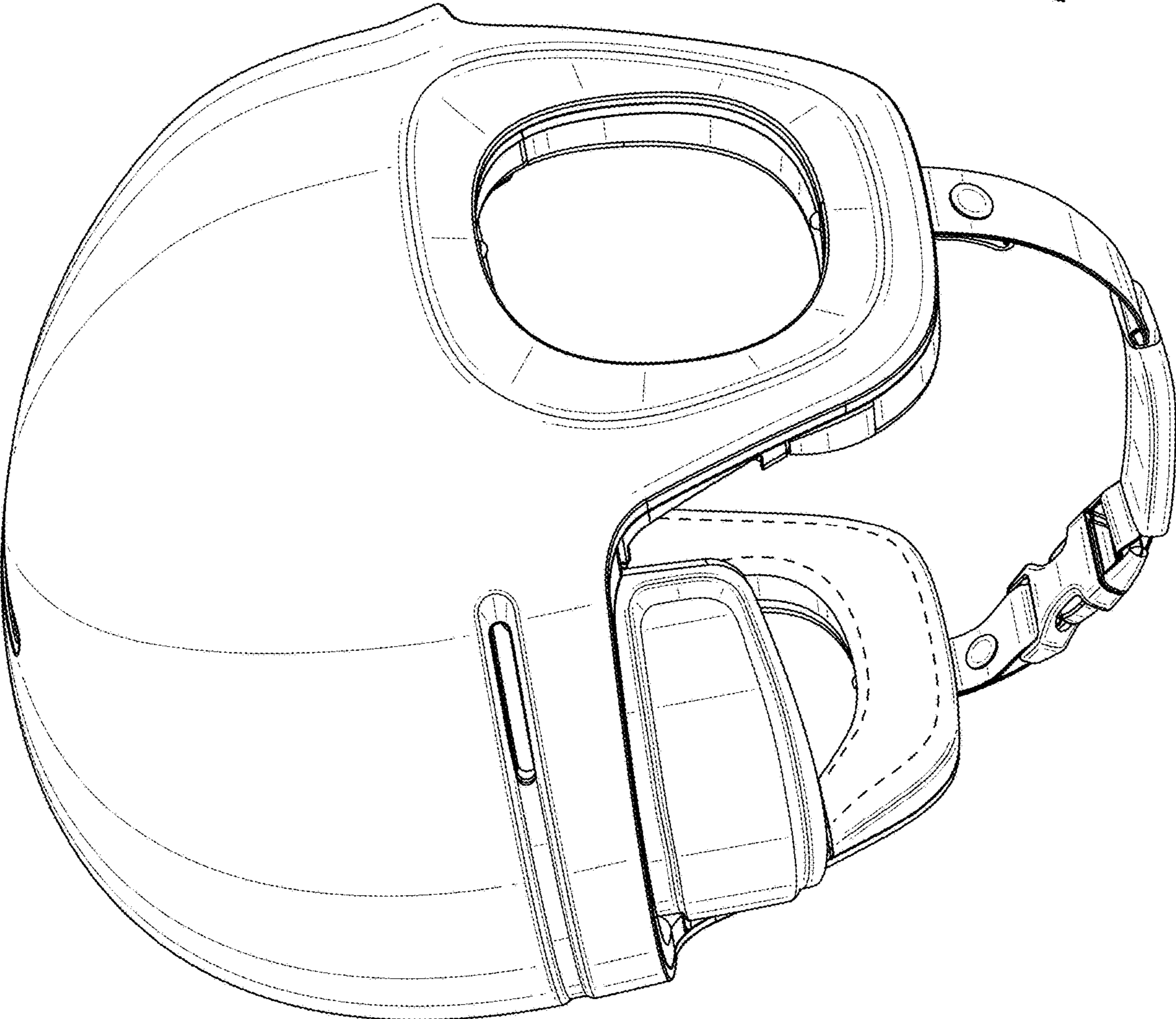


FIG. 2

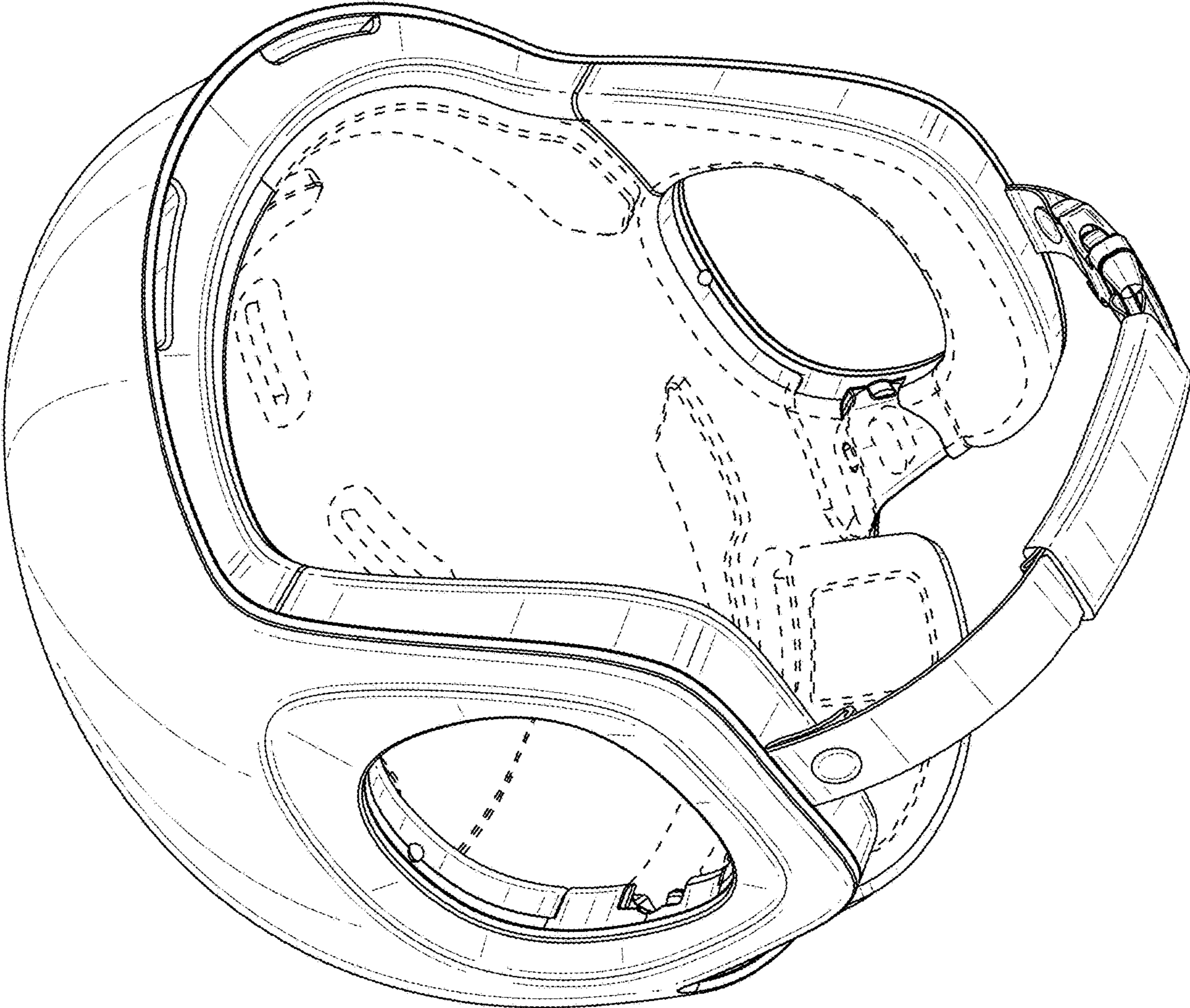


FIG. 3

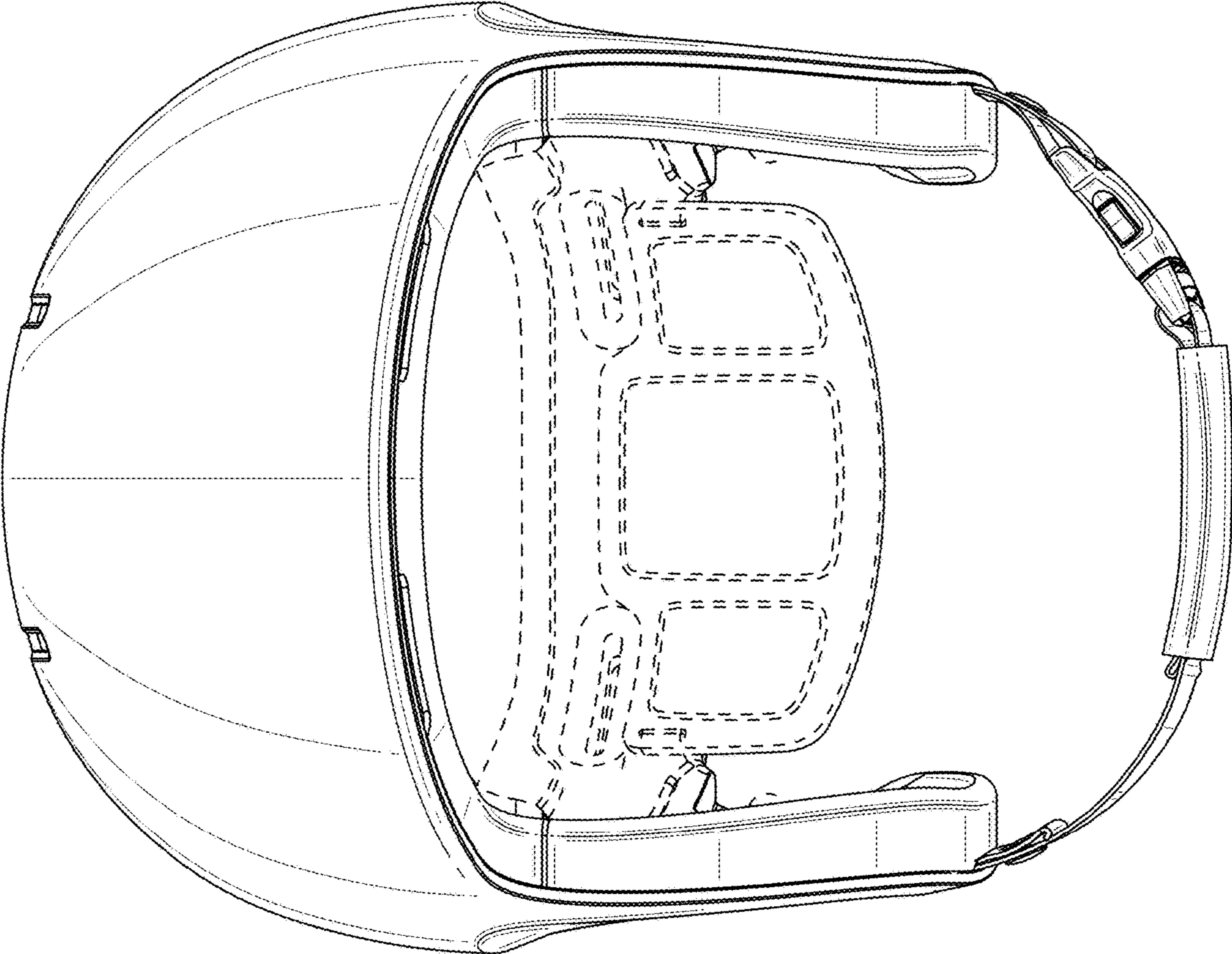


FIG. 4

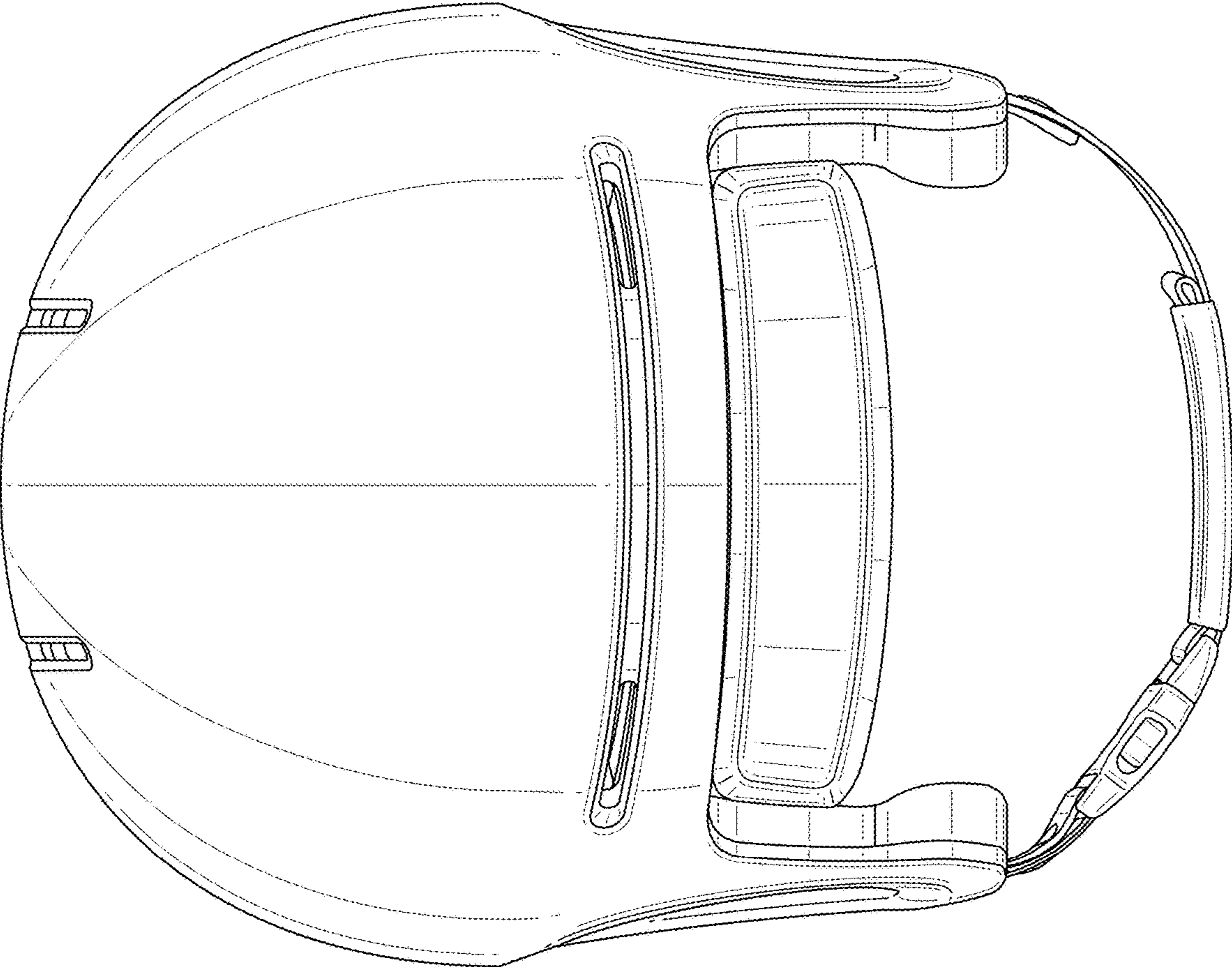


FIG. 5

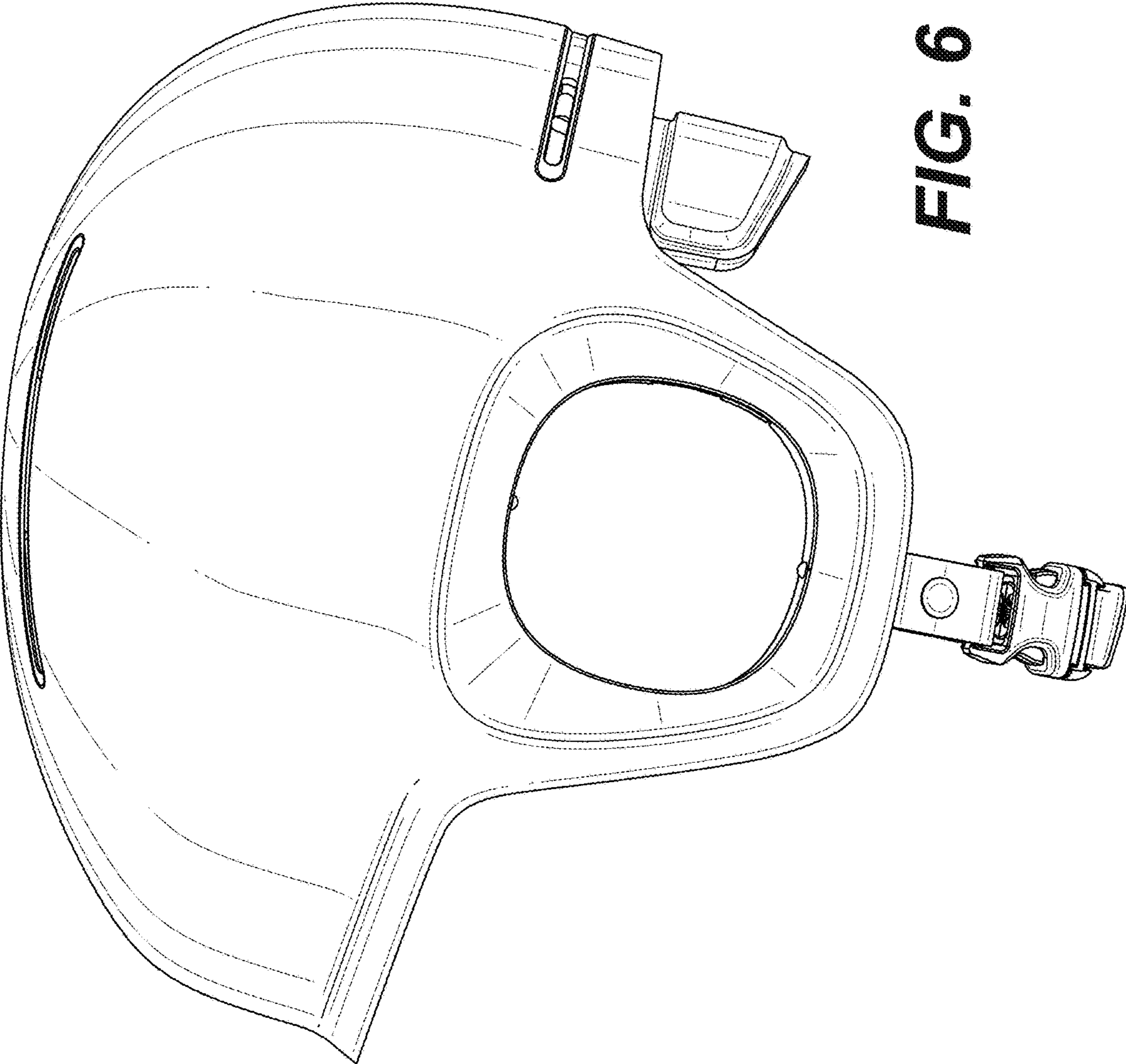


FIG. 6

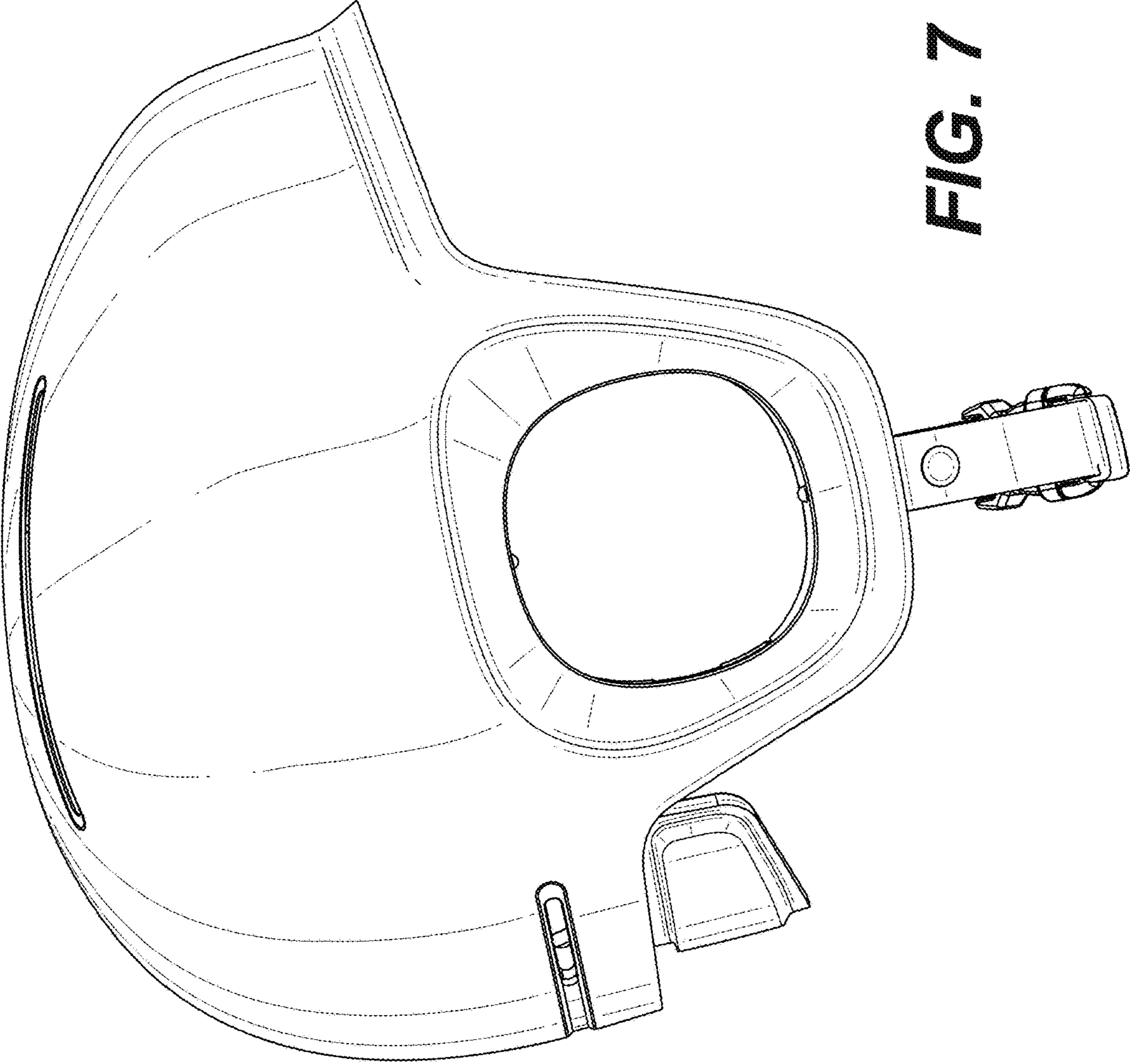


FIG. 7

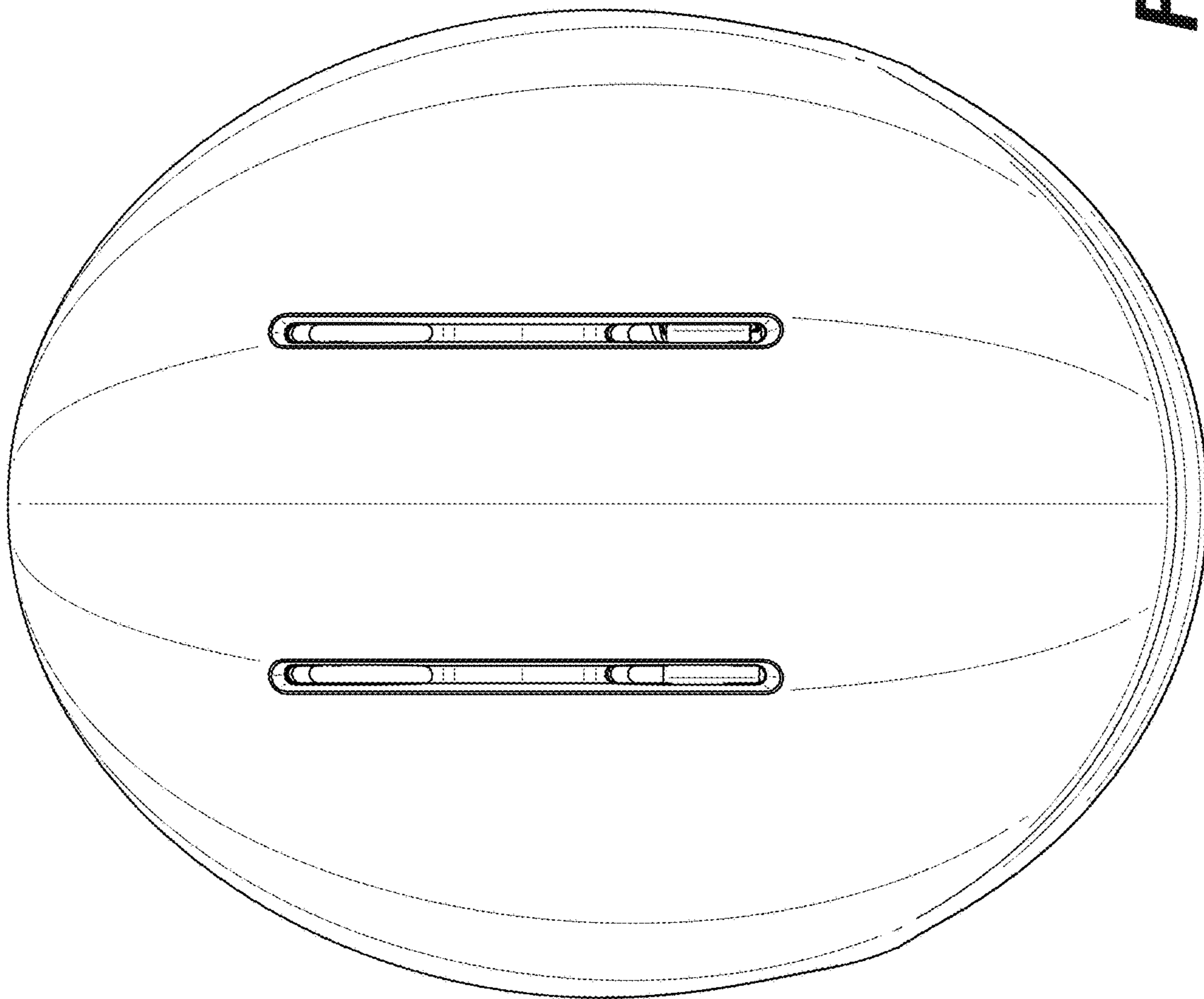


FIG. 8

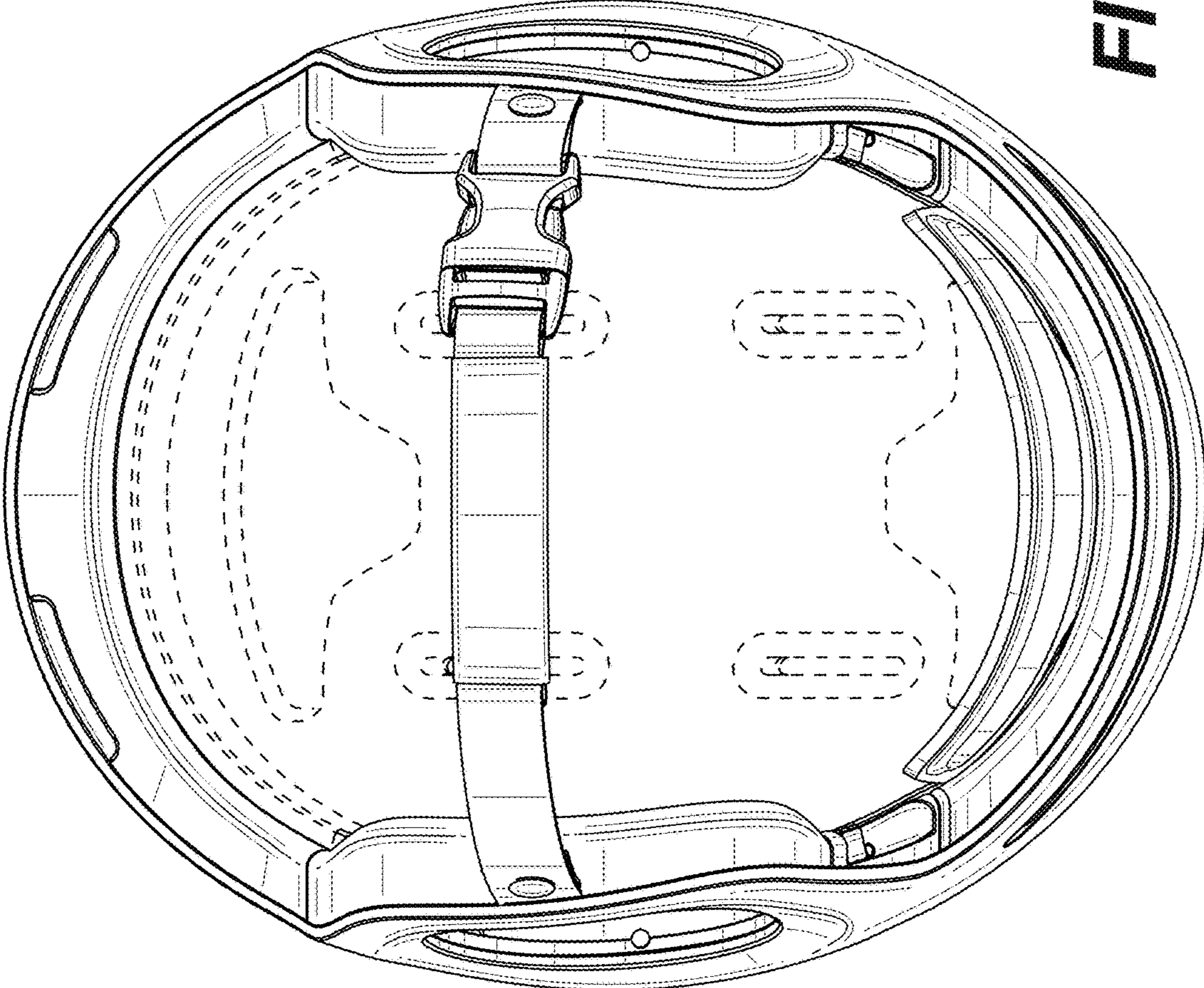


FIG. 9