

US00D859746S

(12) **United States Design Patent** (10) **Patent No.:** **US D859,746 S**
Liston (45) **Date of Patent:** **** Sep. 10, 2019**

(54) **COMPACT**

(71) Applicant: **Container Limited**, Central (HK)

(72) Inventor: **Brenan Patrick Liston**, Central (HK)

(**) Term: **15 Years**

(21) Appl. No.: **29/576,563**

(22) Filed: **Sep. 5, 2016**

(30) **Foreign Application Priority Data**

May 6, 2016 (CN) 2016 3 0164300

(51) **LOC (12) Cl.** **28-03**

(52) **U.S. Cl.**
USPC **D28/83**

(58) **Field of Classification Search**
USPC D28/76-78, 81-84; 132/294, 303-305,
132/314-318; D3/205, 901; 206/542,
206/581, 823; D9/426, 430, 432, 549
(Continued)

(56) **References Cited**

U.S. PATENT DOCUMENTS

1,596,499 A * 8/1926 Marcus A45D 33/006
132/303
1,597,378 A * 8/1926 Kendall A45D 33/006
132/303

(Continued)

FOREIGN PATENT DOCUMENTS

CN 304083845 * 3/2017
EP 1986-001292 * 8/1987 B65D 85/68
(Continued)

OTHER PUBLICATIONS

Luxury Square Compact Powder Case, pinfanpai.manufacturer.
globalsources.com, author not listed, published Nov. 24, 2016 per

wayback machine © 2018 Media Data Systems Pte Ltd, online, site
visited Nov. 20, 2018. Available from Internet, URL: <https://web.archive.org/web/20170929005733/https://pinf...> (Year: 2017).*

Primary Examiner — Shannon W Morgan
Assistant Examiner — Altaira J Swangin
(74) *Attorney, Agent, or Firm* — Prakash Nama; Global
IP Service, PLLC

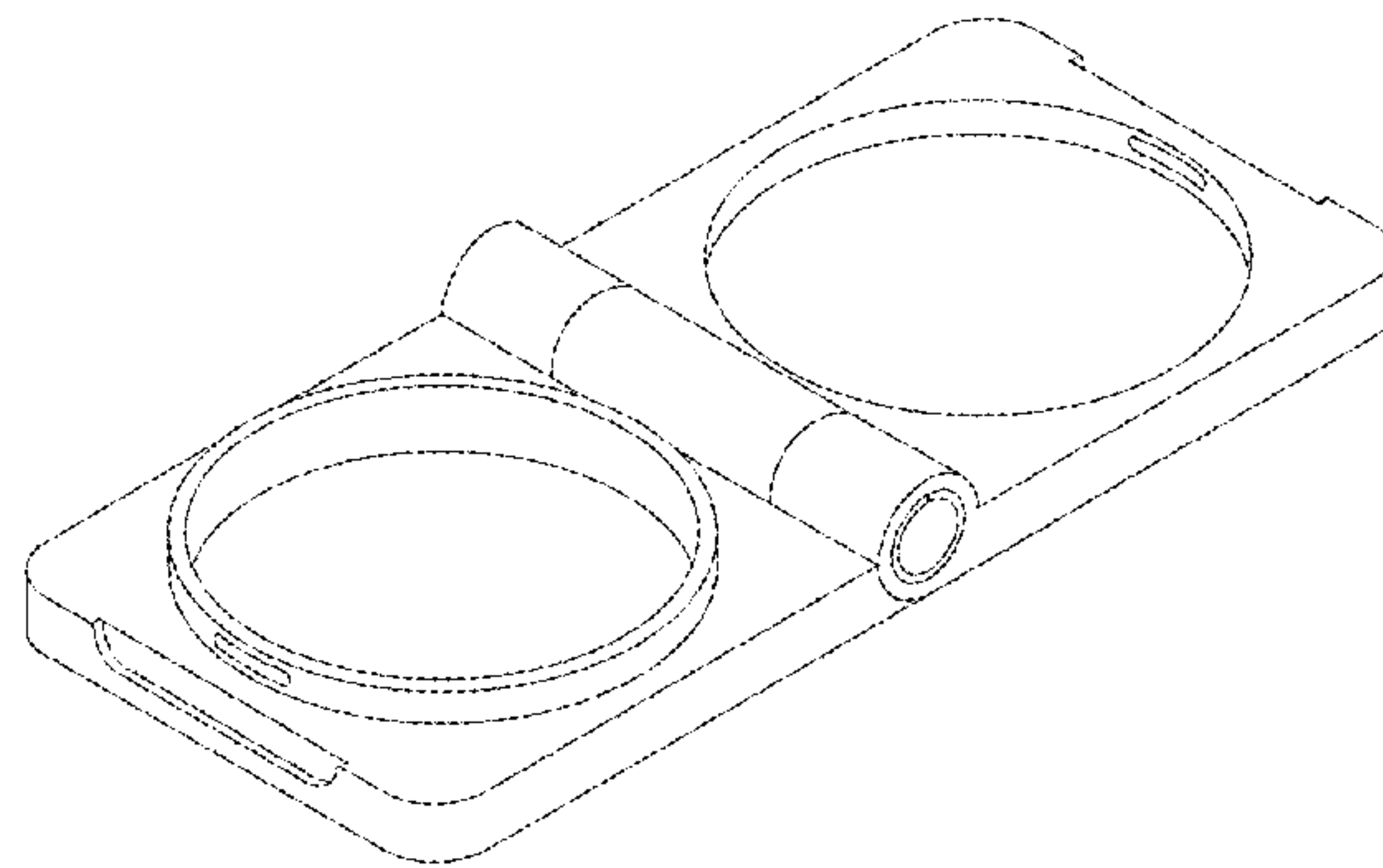
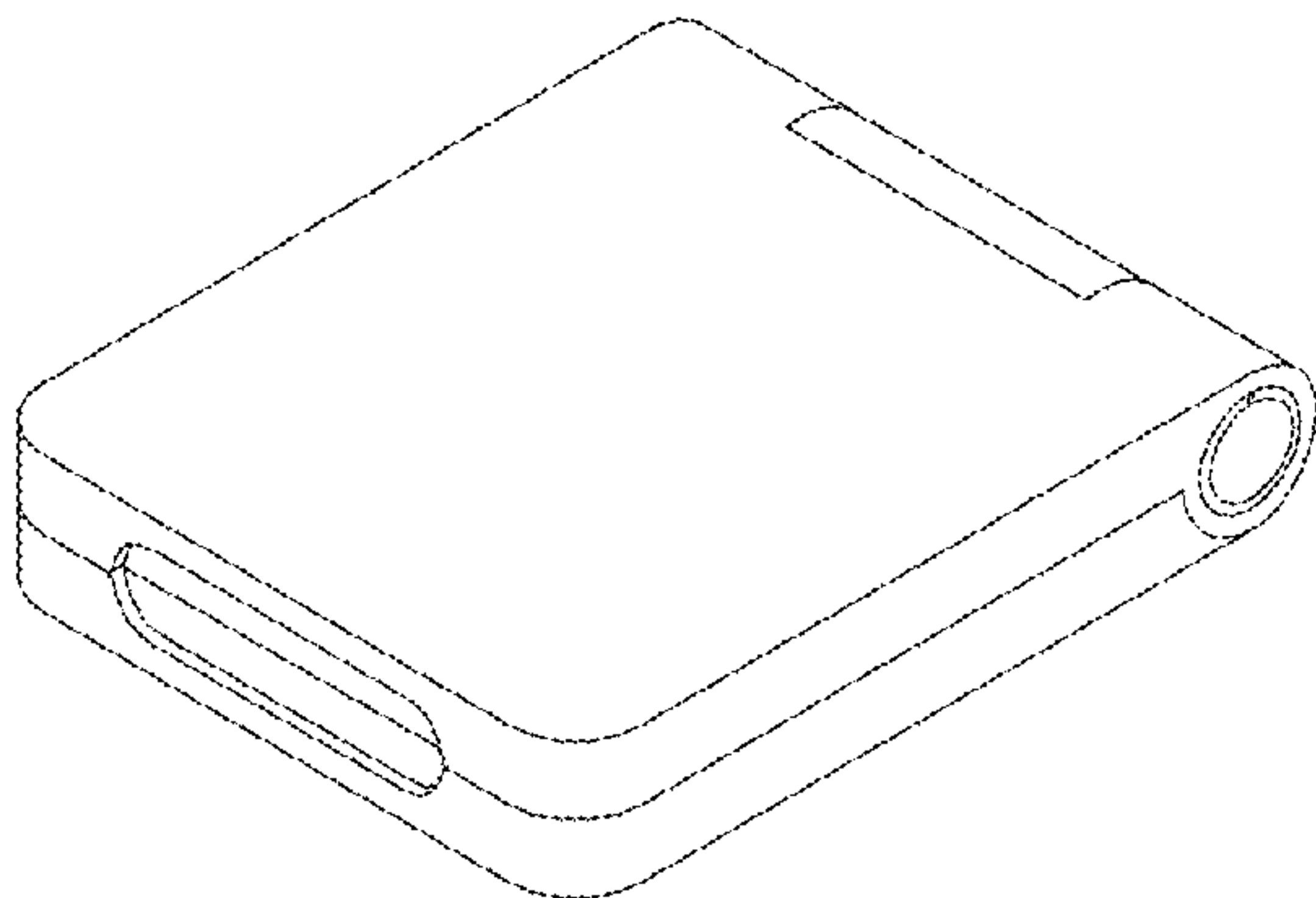
(57) **CLAIM**

The ornamental design for a compact, as shown and
described.

DESCRIPTION

FIG. 1 is a front elevational view of a compact showing the
first embodiment of my new design;
FIG. 2 is a rear elevational view thereof;
FIG. 3 is a left side view thereof;
FIG. 4 is a right side view thereof;
FIG. 5 is a top plan view thereof;
FIG. 6 is a bottom plan view thereof;
FIG. 7 is a top perspective view thereof;
FIG. 8 is a bottom perspective view thereof;
FIG. 9 is a top plan view thereof in an opened state;
FIG. 10 is a top perspective view thereof in an opened state;
FIG. 11 is a front elevational view of a compact showing the
second embodiment of my new design;
FIG. 12 is a rear elevational view of the second embodiment;
FIG. 13 is a left side view of the second embodiment;
FIG. 14 is a right side view of the second embodiment;
FIG. 15 is a top plan view of the second embodiment;
FIG. 16 is a bottom plan view of the second embodiment;
FIG. 17 is a top perspective view of the second embodiment;
FIG. 18 is a bottom perspective view of the second embodi-
ment;
FIG. 19 is a top plan view of the second embodiment in an
opened state; and,
FIG. 20 is a top perspective view of the second embodiment
in an opened state.

1 Claim, 12 Drawing Sheets



(58) **Field of Classification Search**

CPC A45D 40/00; A45D 40/18; A45D 40/0087;
 A45D 40/222; A45D 33/006; A45D
 2040/225; A45D 2034/007; A45D 33/008;
 A45D 33/18; A45D 33/16; A45D 33/00;
 A45D 33/025; A45D 33/003; A45D
 40/22; F16C 11/12

See application file for complete search history.

(56) **References Cited**

U.S. PATENT DOCUMENTS

2,017,722 A * 10/1935 Magnus A24F 15/18
 132/296
 2,041,260 A * 5/1936 Morrison A45D 33/006
 132/303
 D111,177 S * 9/1938 Gamble D28/83
 D115,324 S * 6/1939 Zell 220/DIG. 26
 2,204,717 A * 6/1940 Younghusband A45D 33/28
 132/296
 2,264,300 A * 12/1941 Davies A45D 33/26
 132/296
 D138,031 S * 6/1944 Root 206/37
 D142,674 S * 10/1945 Shatkin D28/83
 D143,311 S * 12/1945 Harper D28/83
 D143,380 S * 12/1945 Zemby D28/83
 D144,042 S * 3/1946 Dougherty 206/37
 2,570,314 A * 10/1951 Brand A45D 33/008
 132/304
 2,783,764 A * 3/1957 Loy A45D 33/006
 132/304
 D222,762 S * 12/1971 Allen D28/83
 4,208,105 A * 6/1980 Hadwiger A45D 42/00
 359/860
 D260,305 S * 8/1981 MacGregor D28/83
 D262,150 S * 12/1981 Sussman D28/83
 4,345,607 A * 8/1982 Contreras A45C 11/24
 16/227
 4,387,730 A * 6/1983 Shioi A45C 13/1084
 132/301
 D277,420 S * 1/1985 Bakic D28/83
 D277,421 S * 1/1985 Bakic D28/83
 D281,033 S * 10/1985 Mohri D3/295
 D281,913 S * 12/1985 Bakic D28/83
 4,574,944 A * 3/1986 Gregory A45C 13/34
 132/316
 D287,169 S * 12/1986 Trabattoni D28/83
 4,693,392 A * 9/1987 Contreras, Sr. A45D 40/22
 220/827
 D302,745 S * 8/1989 Bakic D28/83
 4,917,131 A * 4/1990 Contreras, Sr. A45D 40/22
 132/286

5,186,318 A * 2/1993 Oestreich A45C 13/008
 206/37
 D339,883 S * 9/1993 Madar D28/83
 5,819,764 A * 10/1998 Sussman A45C 13/008
 132/293
 5,842,486 A * 12/1998 Davis A45C 13/008
 132/293
 5,845,658 A * 12/1998 Sussman A45D 33/006
 132/287
 6,021,784 A * 2/2000 Yuhara A45C 13/005
 132/293
 D422,120 S * 3/2000 Orsomando D28/83
 6,129,089 A * 10/2000 Yuhara A45C 13/008
 132/300
 6,199,559 B1 * 3/2001 Nikolaus A45C 13/008
 132/293
 D441,915 S * 5/2001 Wardlaw D28/76
 D465,305 S * 11/2002 Thorpe D28/83
 D478,689 S * 8/2003 Thorpe D28/83
 D479,016 S * 8/2003 Sgariboldi D28/78
 D535,442 S * 1/2007 Ditrichstein D28/78
 D553,799 S * 10/2007 Williams D28/83
 D554,802 S * 11/2007 Pitot D28/64.3
 D573,887 S * 7/2008 Bouroullec D9/529
 D574,769 S * 8/2008 Fisher D13/108
 D597,256 S * 7/2009 Liden D28/83
 D655,866 S * 3/2012 Villarreal D28/83
 D688,008 S * 8/2013 Fama D19/103
 8,540,115 B2 * 9/2013 Giraud B65D 43/162
 132/294
 D721,855 S * 1/2015 Lavigne D28/83
 D753,882 S * 4/2016 Chertoff D28/83
 2003/0205236 A1 * 11/2003 Lin A45D 33/20
 132/293
 2004/0040570 A1 * 3/2004 Shih A45D 33/006
 132/293
 2008/0302384 A1 * 12/2008 Parker A45D 33/006
 132/294
 2013/0000667 A1 * 1/2013 Sobol A45D 33/006
 132/315
 2013/0152962 A1 * 6/2013 Pires A45D 33/006
 132/313
 2013/0284202 A1 * 10/2013 Limongi A45D 33/008
 132/316
 2014/0138378 A1 * 5/2014 Lequeux A45C 13/1069
 220/23.83
 2015/0027487 A1 * 1/2015 Apodaca A45D 33/006
 132/307

FOREIGN PATENT DOCUMENTS

JP 2005-157366 * 2/2005 A45D 33/00
 WO WO-2017190342 A1 * 11/2017 A45D 33/00

* cited by examiner

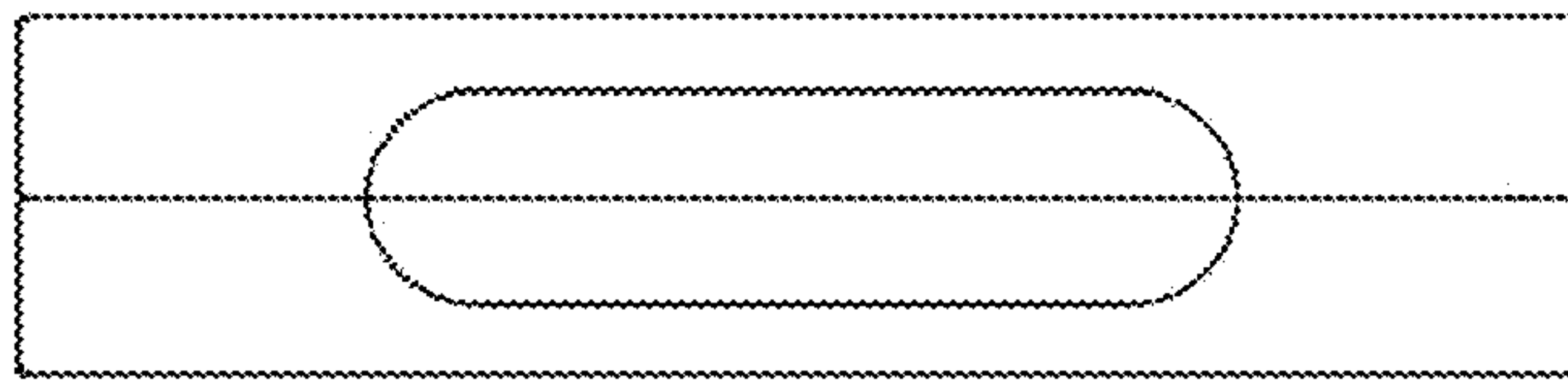


FIG. 1



FIG. 2

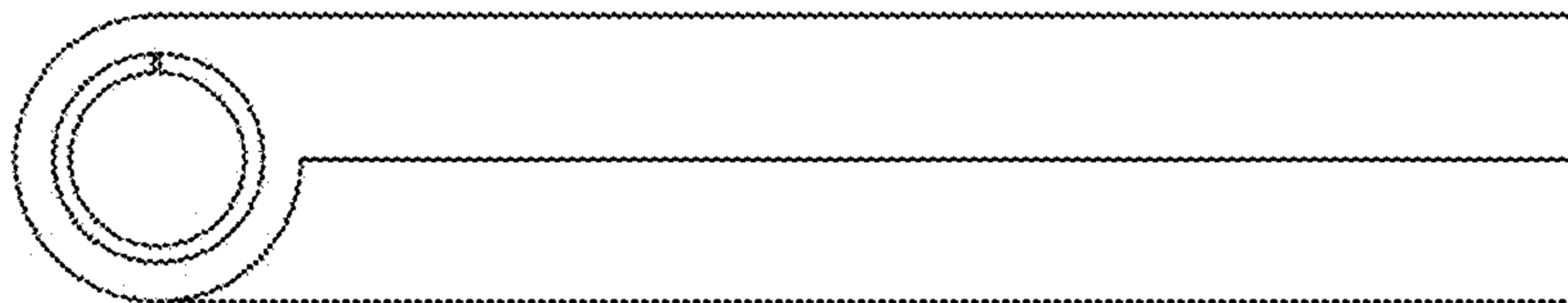


FIG. 3

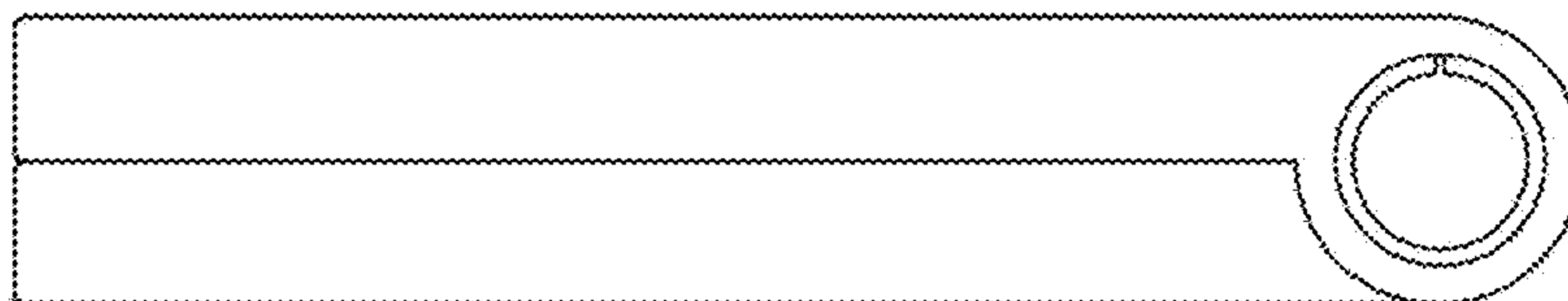


FIG. 4

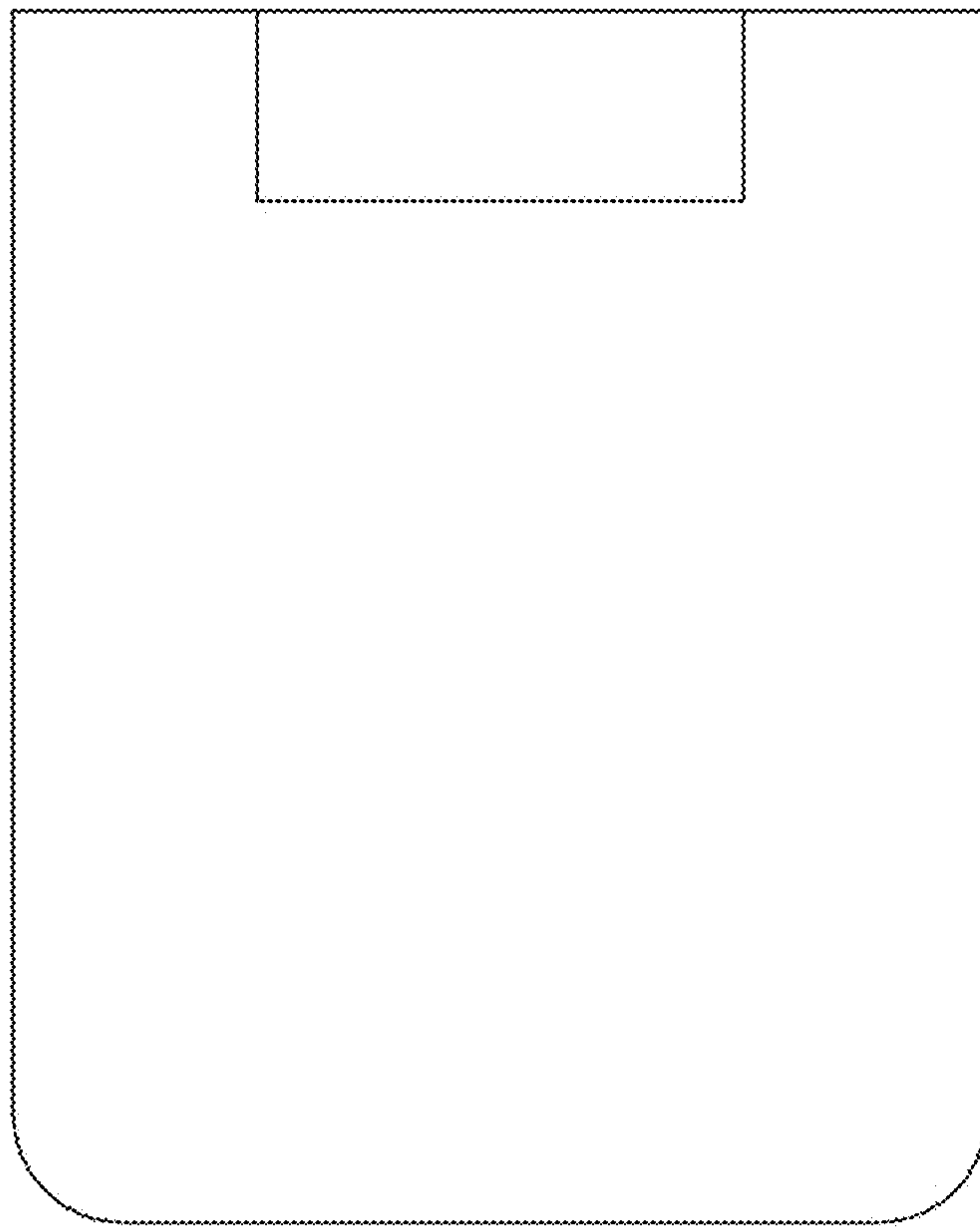


FIG. 5

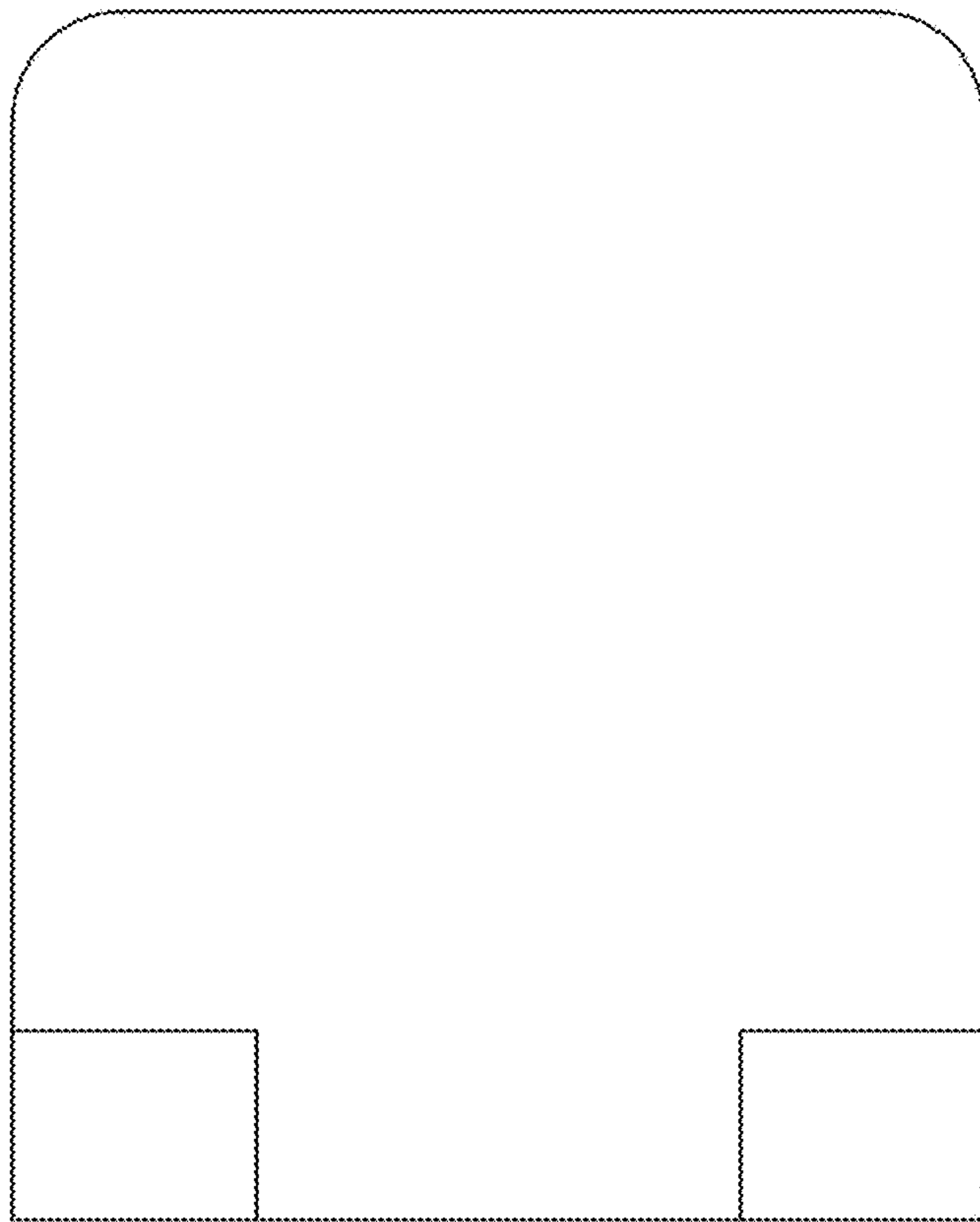


FIG. 6

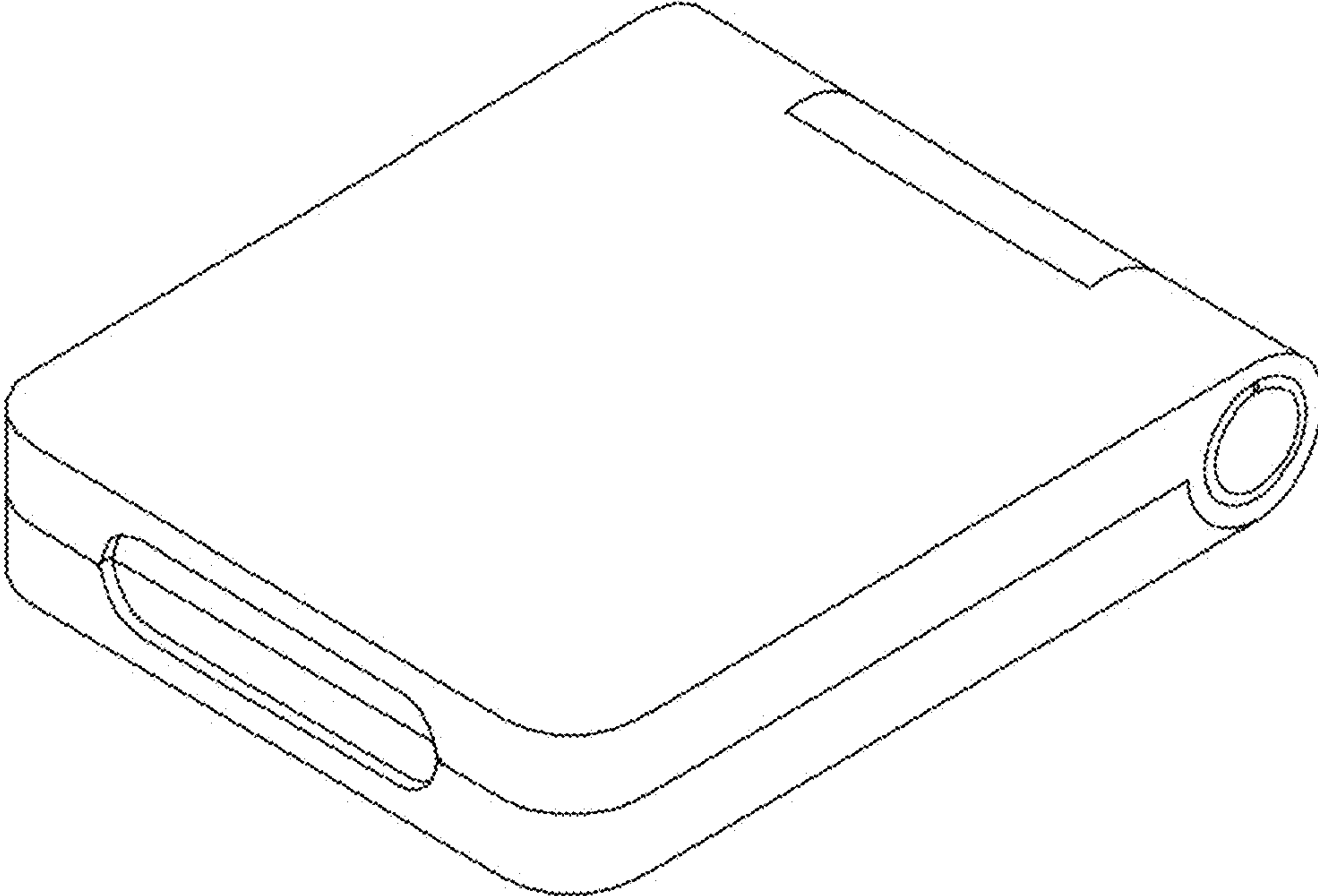


FIG. 7

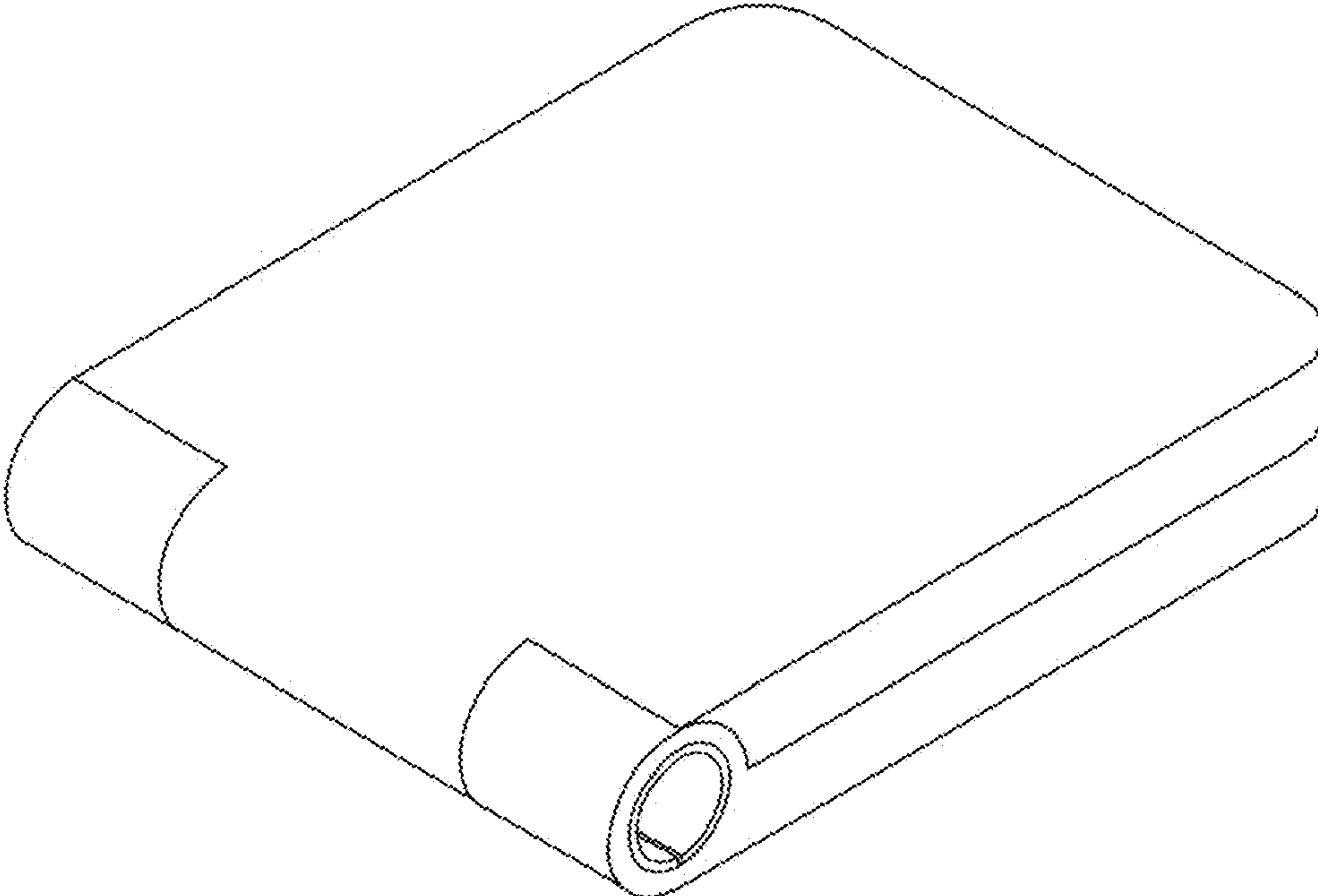


FIG. 8

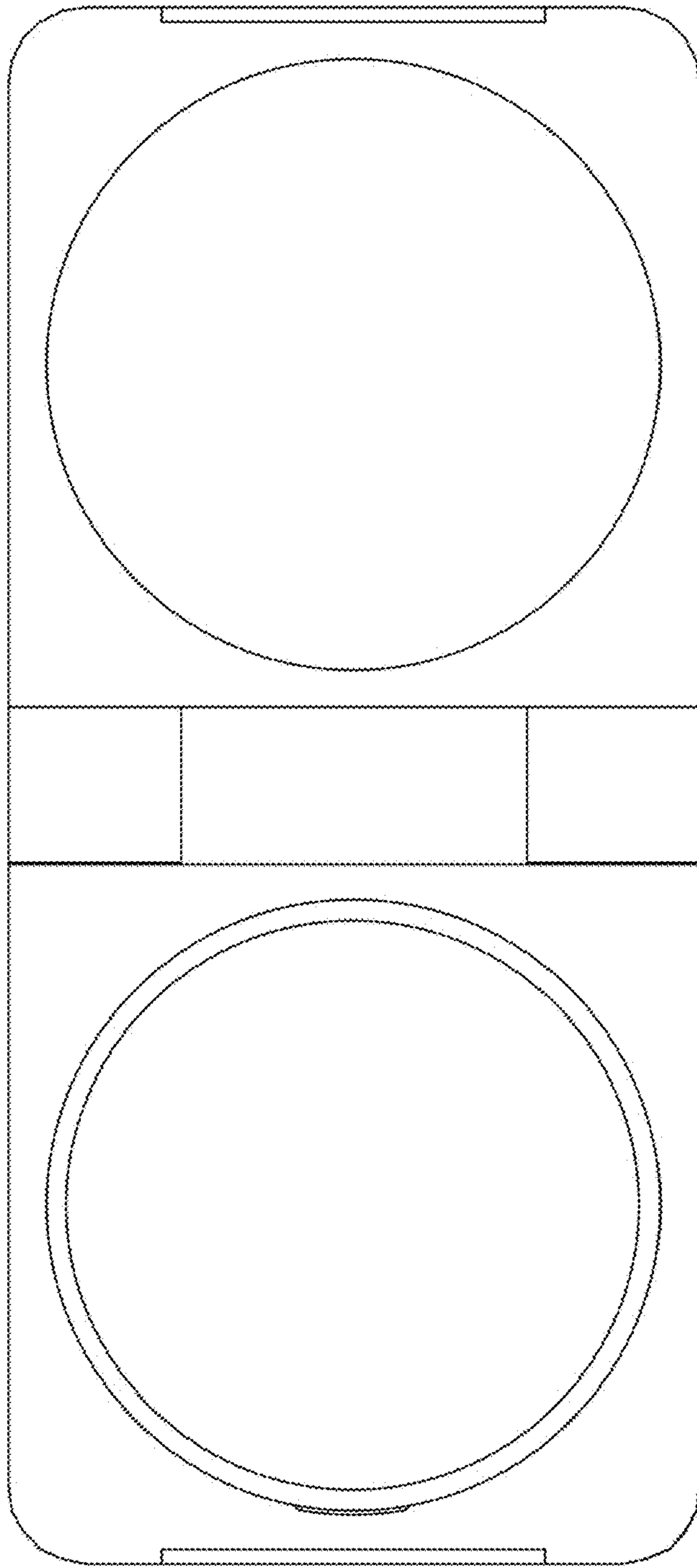


FIG. 9

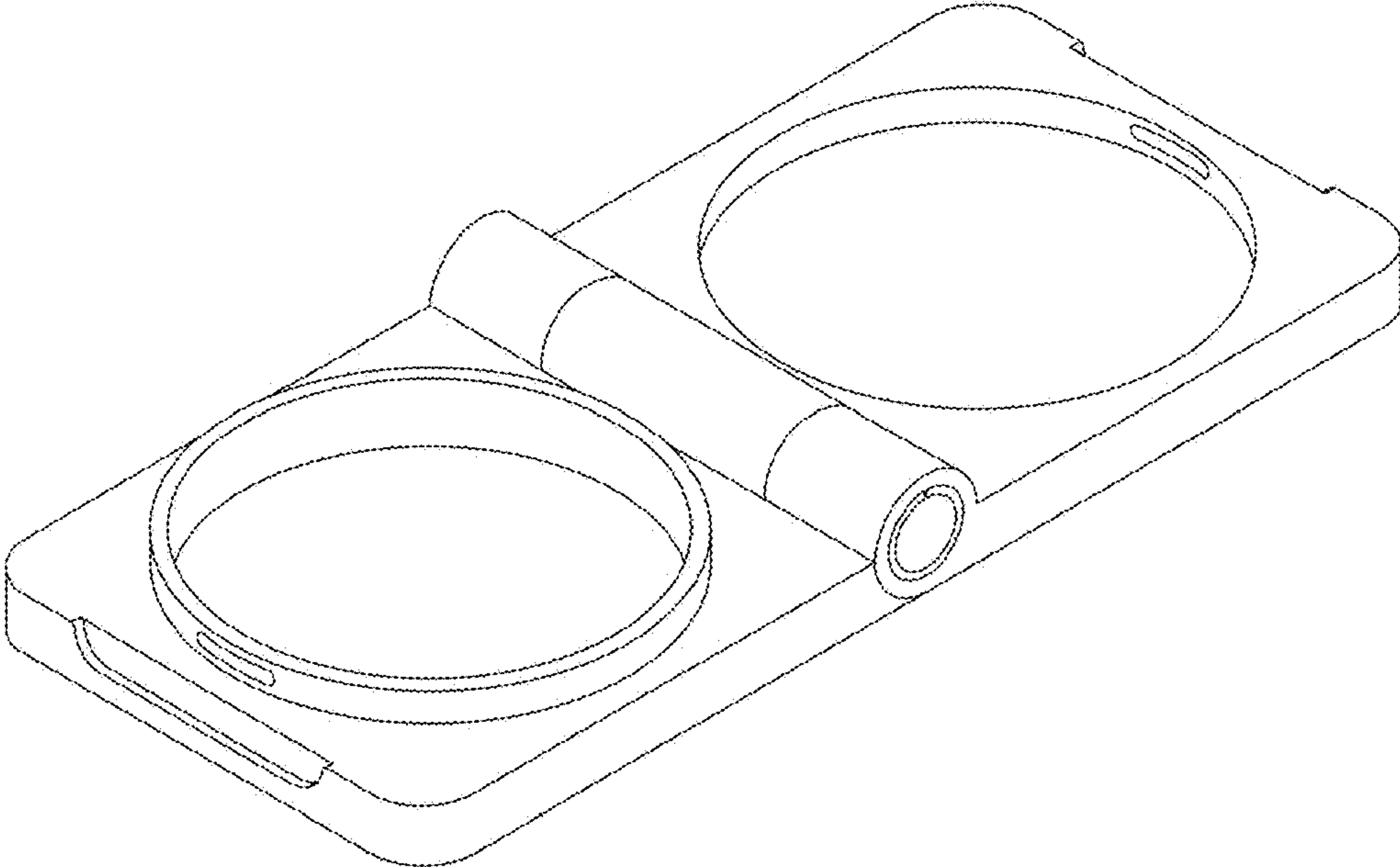


FIG. 10

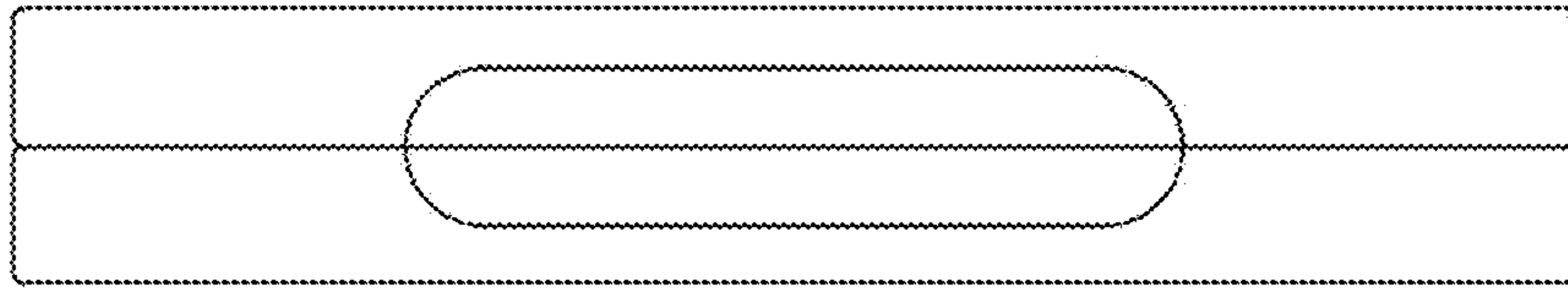


FIG. 11



FIG. 12

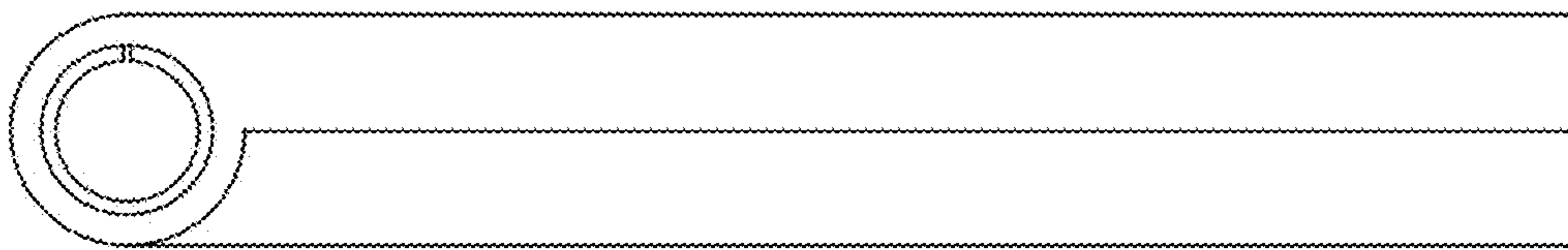


FIG. 13

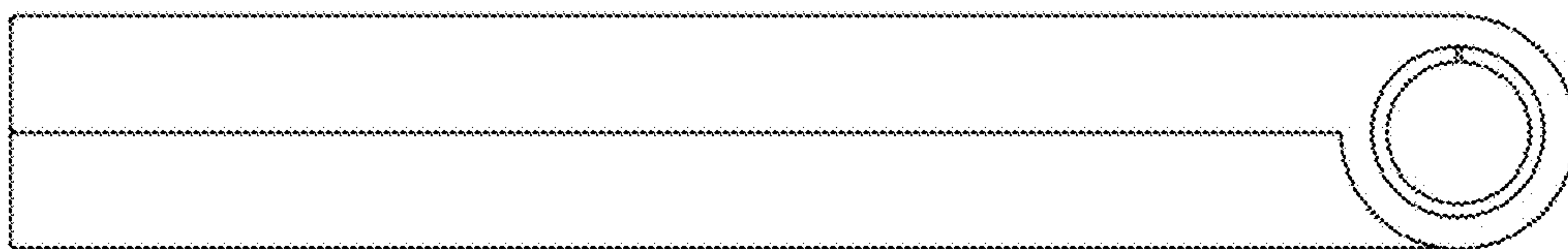


FIG. 14

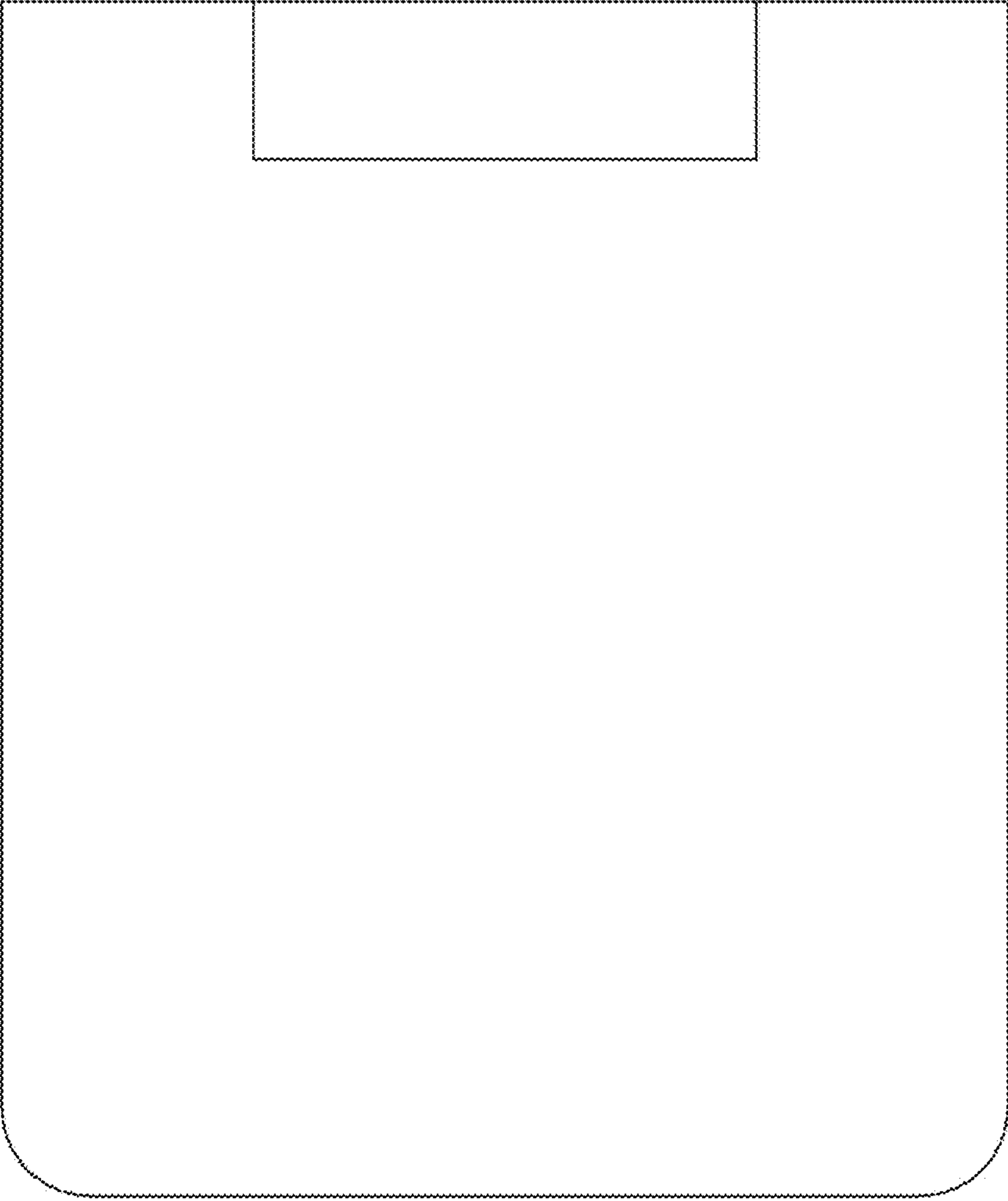


FIG. 15

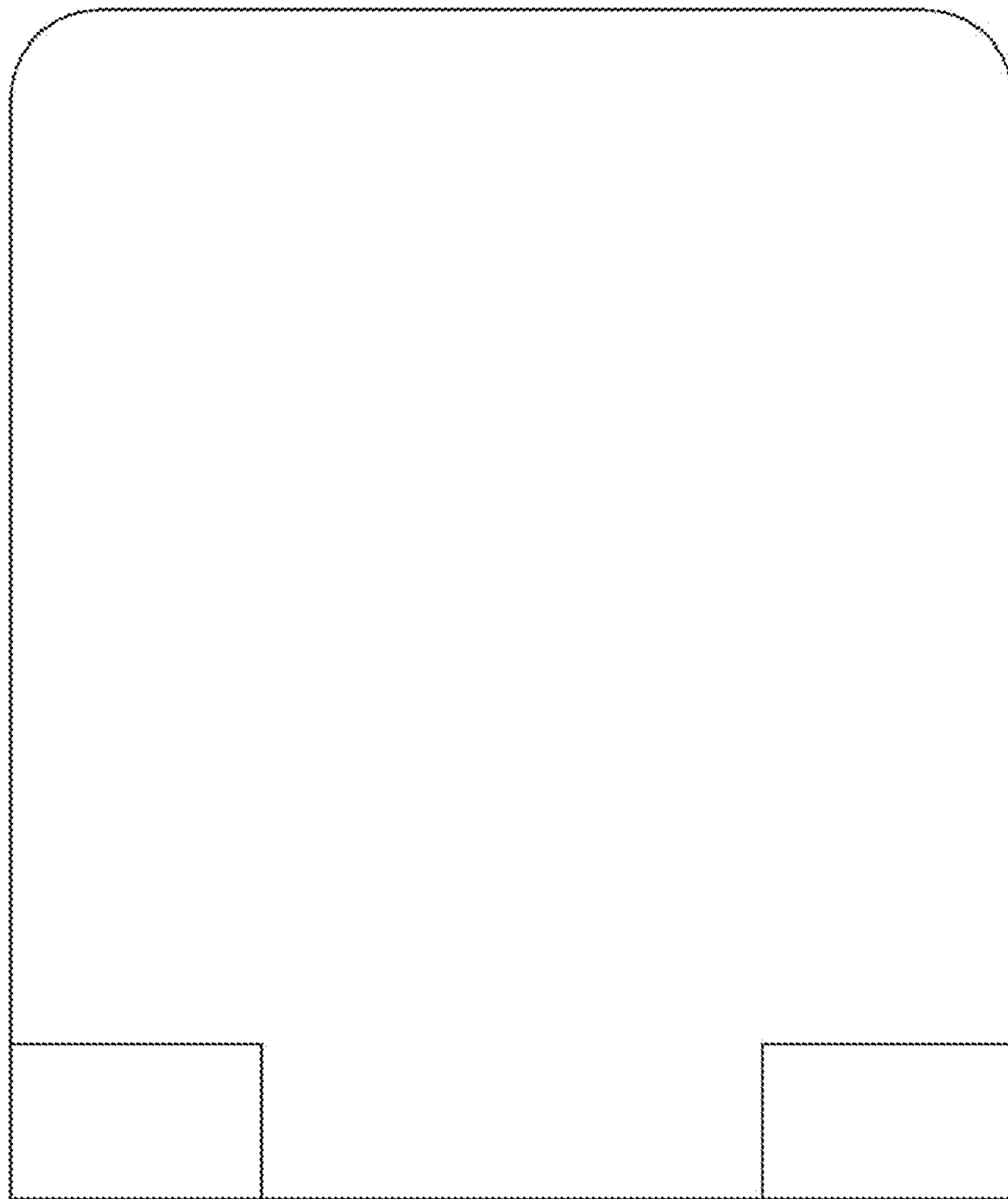


FIG. 16

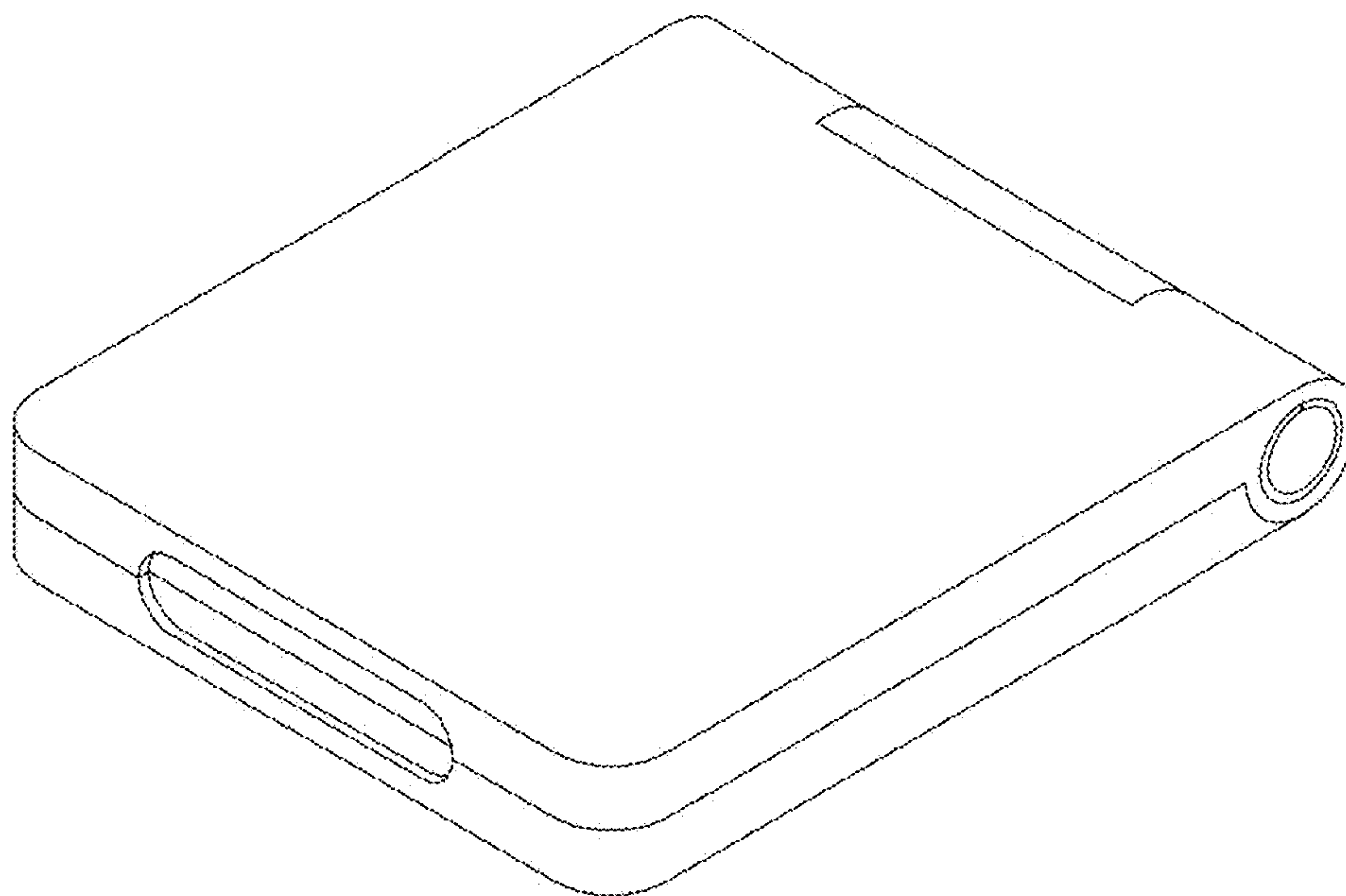


FIG. 17

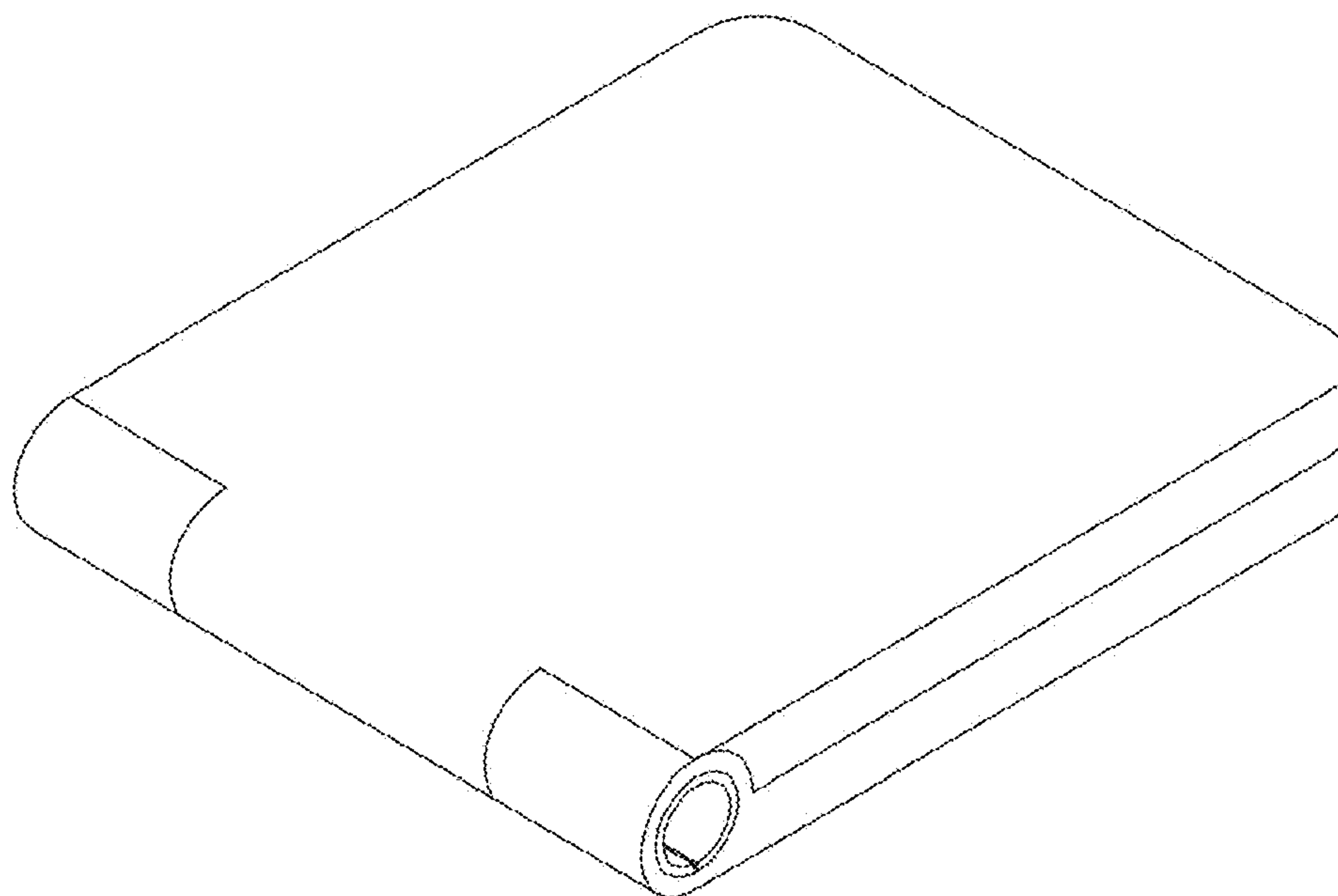


FIG. 18

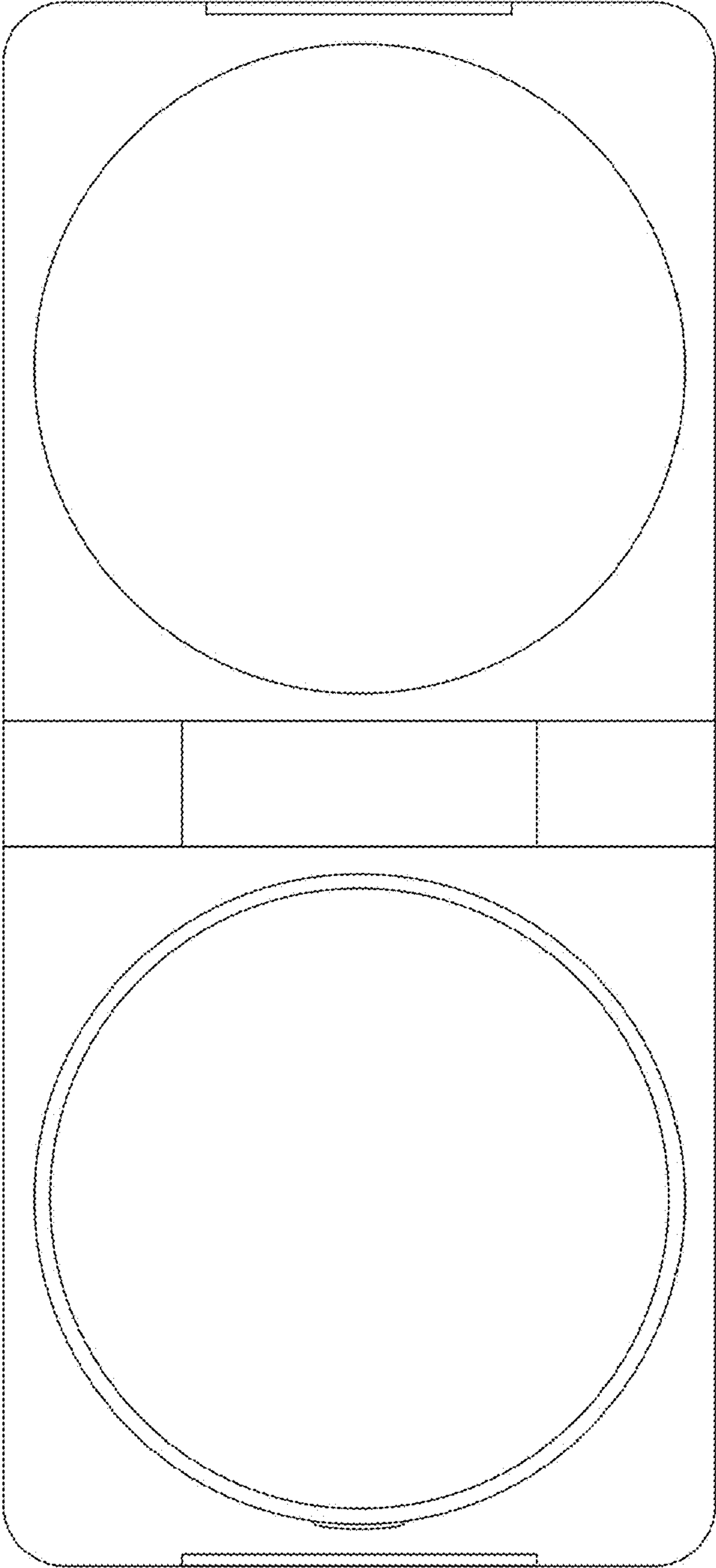


FIG. 19

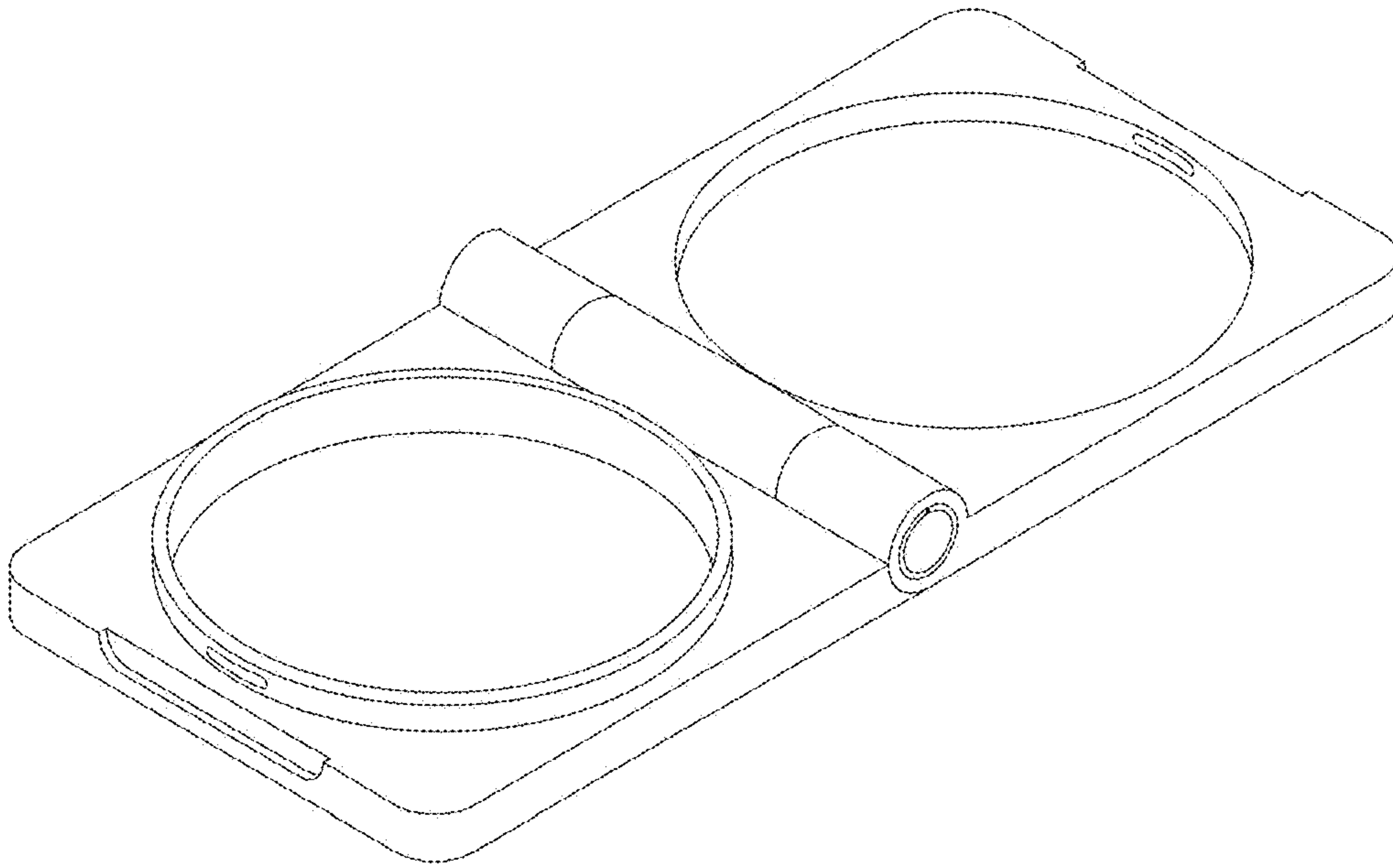


FIG. 20