



US00D859744S

(12) **United States Design Patent** (10) **Patent No.:** **US D859,744 S**
Kudo (45) **Date of Patent:** **** Sep. 10, 2019**

(54) **COSMETIC APPLICATOR**

(71) Applicant: **TOKIWA CORPORATION**, Gifu (JP)

(72) Inventor: **Saori Kudo**, Kawaguchi (JP)

(73) Assignee: **TOKIWA CORPORATION**,
Nakatsugawa-Shi, Gifu (JP)

(**) Term: **15 Years**

(21) Appl. No.: **35/505,395**

(22) Filed: **Feb. 1, 2018**

(80) **Hague Agreement Data**

Int. Filing Date: **Feb. 1, 2018**

Int. Reg. No.: **DM/100087**

Int. Reg. Date: **Feb. 1, 2018**

Int. Reg. Pub. Date: **Aug. 3, 2018**

(30) **Foreign Application Priority Data**

Aug. 28, 2017 (JP) 2017-018431

Aug. 28, 2017 (JP) 2017-018432

(51) **LOC (12) Cl.** **28-03**

(52) **U.S. Cl.**
USPC **D28/76**

(58) **Field of Classification Search**
USPC D28/4, 7, 8, 76, 77, 99; D19/101, 115,
D19/116, 117, 118, 119, 120, 121, 122,
(Continued)

(56) **References Cited**

U.S. PATENT DOCUMENTS

D203,014 S * 11/1965 Hechtle D19/119

D273,395 S * 4/1984 Wilkinson 401/18

(Continued)

OTHER PUBLICATIONS

Amazon, Fisher matte black pen, posted Feb. 8, 2013, [online],
[visited May 17, 2019]. Internet, URL: <https://www.amazon.co.uk/>

Fisher-NonReflective-Military-Matic-SM4B/dp/B001NXDFC8/ref=olp_product_details?_encoding=UTF8&me= (Year: 2013).*

(Continued)

Primary Examiner — Sheryl Lane

Assistant Examiner — Samantha N Wood

(74) *Attorney, Agent, or Firm* — Leydig Voit & Mayer

(57) **CLAIM**

The ornamental design for a cosmetic applicator, as shown and described.

DESCRIPTION

1.-2. Cosmetic applicator

1.1 : Perspective

1.2 : Front

1.3 : Back

1.4 : Top

1.5 : Bottom

1.6 : Left

1.7 : Right

1.8 : Enlarged left

1.9 : Partial enlarged perspective

1.10: Partial enlarged perspective view showing the state in use

2.1 : Perspective

2.2 : Front

2.3 : Back

2.4 : Top

2.5 : Bottom

2.6 : Left

2.7 : Right

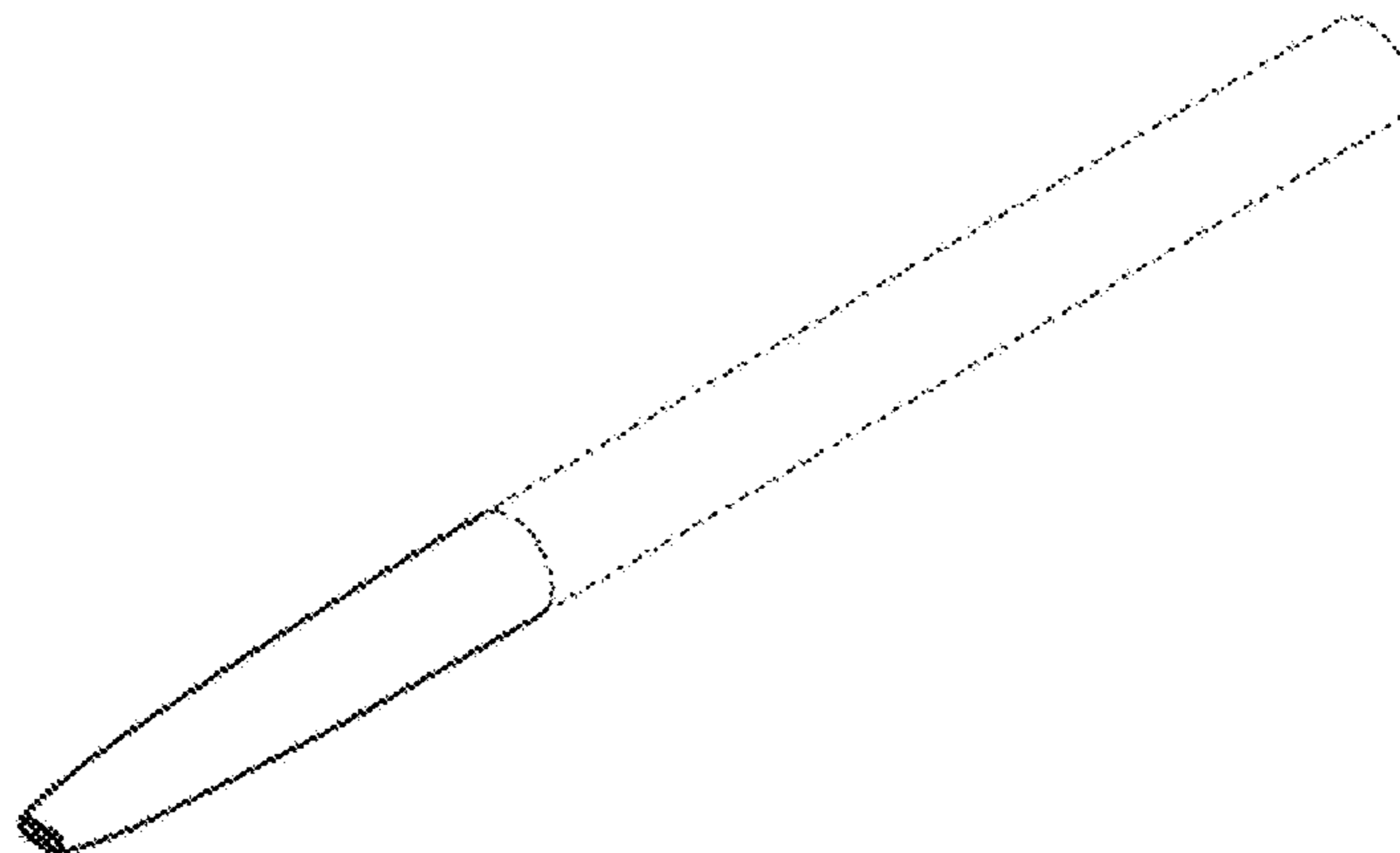
2.8 : Enlarged left

2.9 : Partial enlarged perspective

2.10: Partial enlarged perspective view showing the state in use

These articles are cosmetic applicators which contain cosmetics and are used as eyebrow applicators, eyeliner applicators, eyeshadow applicators, hair color applicators or the like; the users may mainly use these articles by projecting rod-shaped cosmetics, as shown in reproductions **1.10** and **2.10**; the parts shown in dotted lines do not form part of the

(Continued)



claimed designs; the broken lines having alternate long and short segments define bounds of the claimed designs and form no part thereof; the parts shown in dotted lines in reproductions 1.10 and 2.10 indicate rod-shaped cosmetics, and do not form part of the claimed designs.

1 Claim, 20 Drawing Sheets

(58) Field of Classification Search

USPC D19/123, 124, 125, 126, 192;
D9/723-727, 728-729
CPC A45D 2200/1072; A45D 2200/10; A45D
2200/1018; A45D 2200/1027; A45D
2200/1036; A45D 2200/1045
See application file for complete search history.

(56) References Cited

U.S. PATENT DOCUMENTS

D389,517 S * 1/1998 Frank 401/35
D415,859 S * 10/1999 Gobe D28/7

D476,362 S * 6/2003 Whitehorn D19/119
6,685,373 B1 * 2/2004 Liu B43K 8/003
401/34
D665,127 S * 8/2012 Limongi D28/7

OTHER PUBLICATIONS

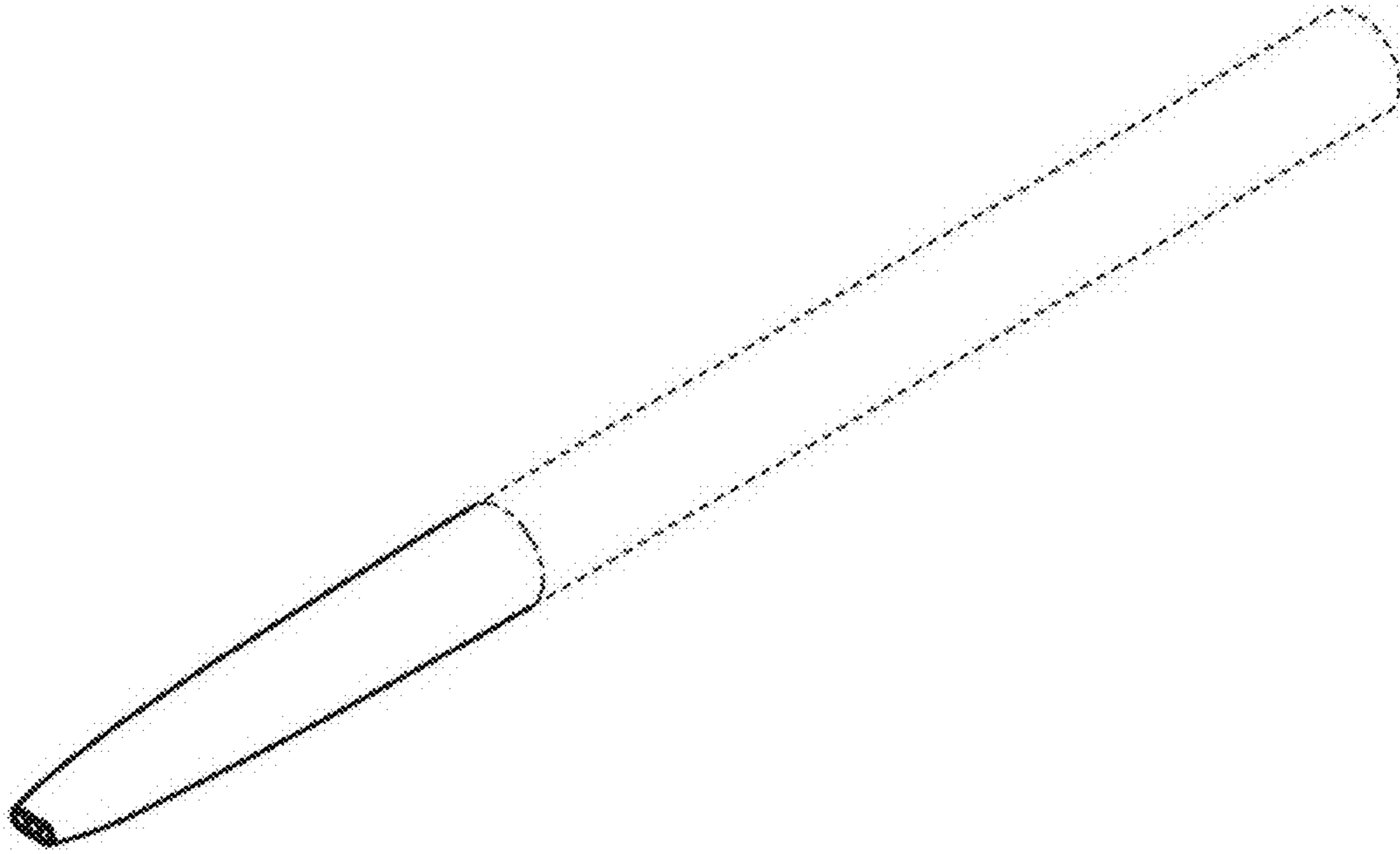
Swatch and Review, The New Benefit Cosmetics brow collection, posted Jun. 23, 2016, [online], [visited May 17, 2019]. Internet, URL: <https://swatchandreview.com/the-new-benefit-cosmetics-brow-collection-swatches-review-demo/> (Year: 2016).*

Amazon, Laval Eyebrow pencil, posted Nov. 24, 2011, [online], [visited May 17, 2019]. Internet, URL: https://www.amazon.co.uk/Laval-Twist-Waterproof-Eyebrow-Pencil/dp/B006DH6PJE/ref=olp_product_details?_encoding=UTF8&me= (Year: 2011).*

Vivi-fy Blogspot, Review: Holika Holika Wonder Drawing Dot Liner, posted Jul. 12, 2012, [online], [visited May 17, 2019]. Internet, URL: <http://vivi-fy.blogspot.com/2012/07/review-holika-holika-wonder-drawing-dot.html> (Year: 2012).*

* cited by examiner

1.1



1.2



1.3



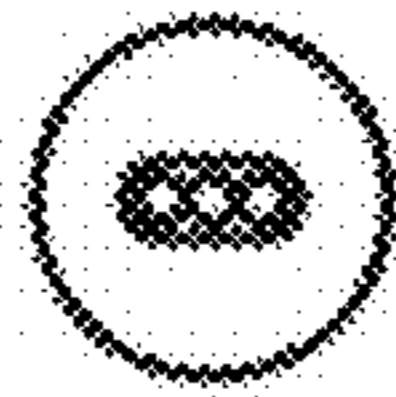
1.4



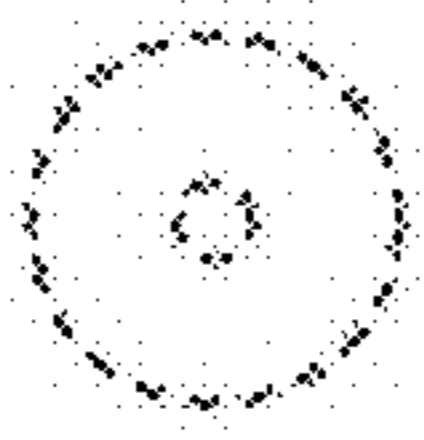
1.5



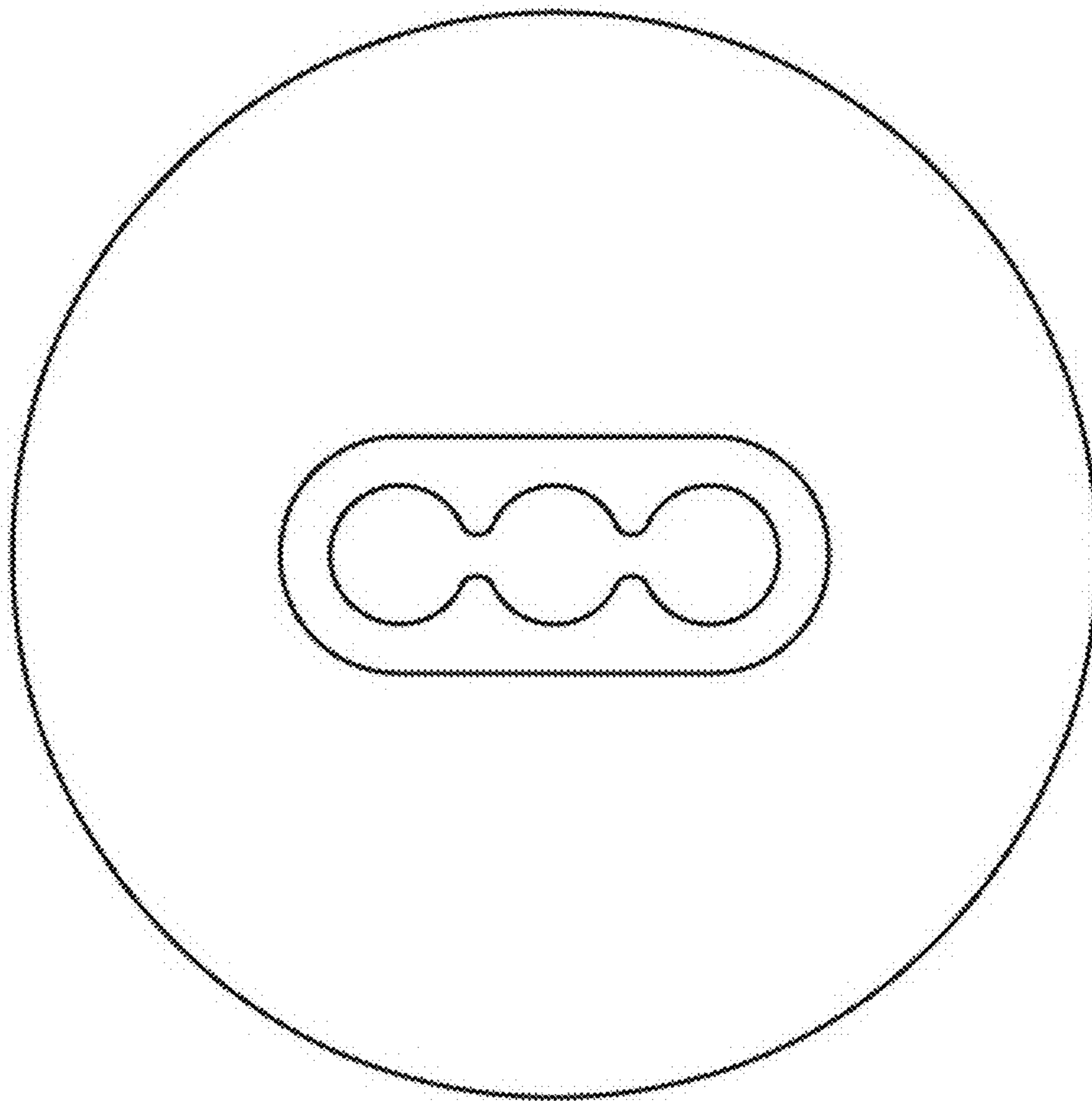
1.6



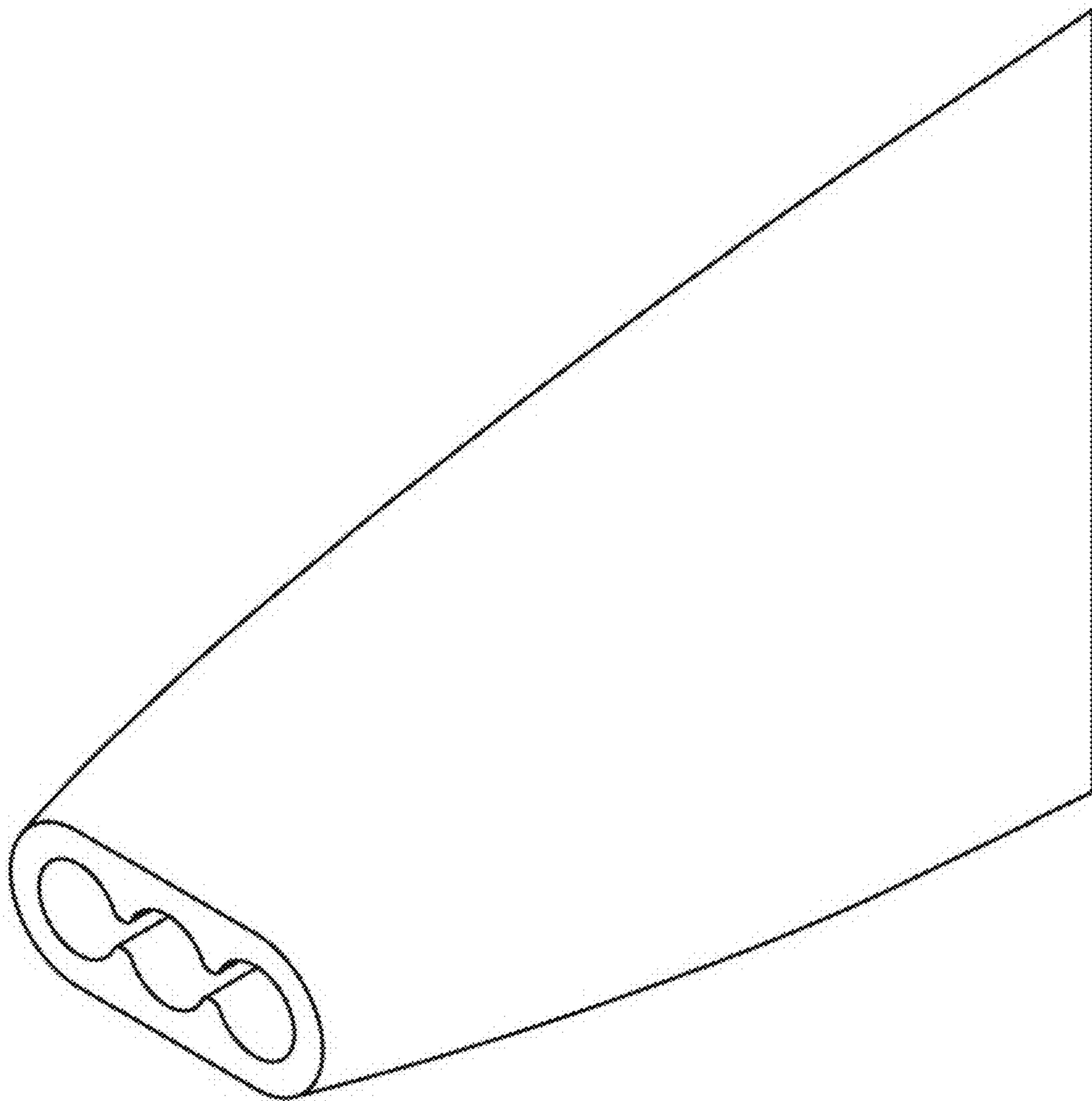
1.7



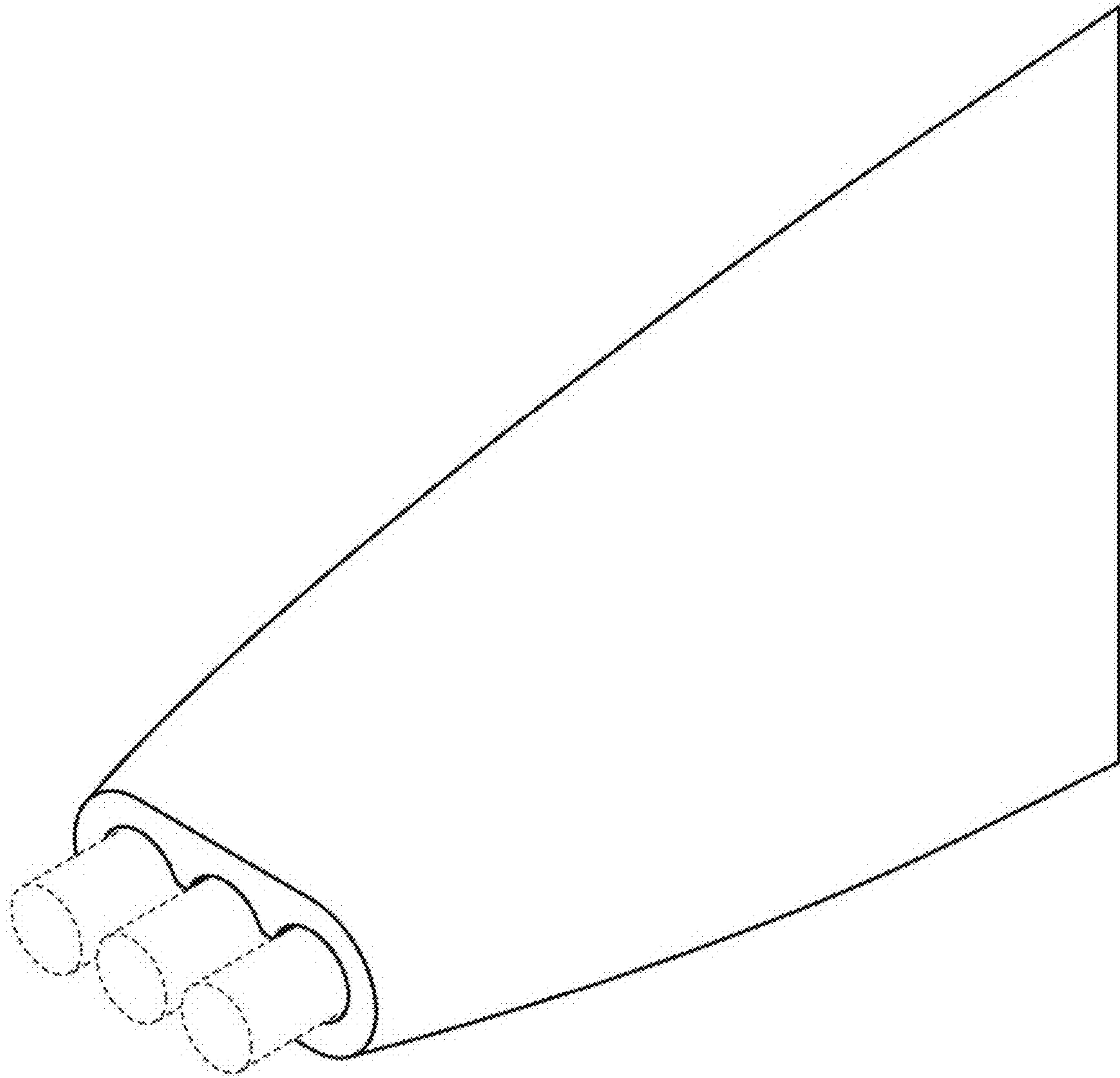
1.8



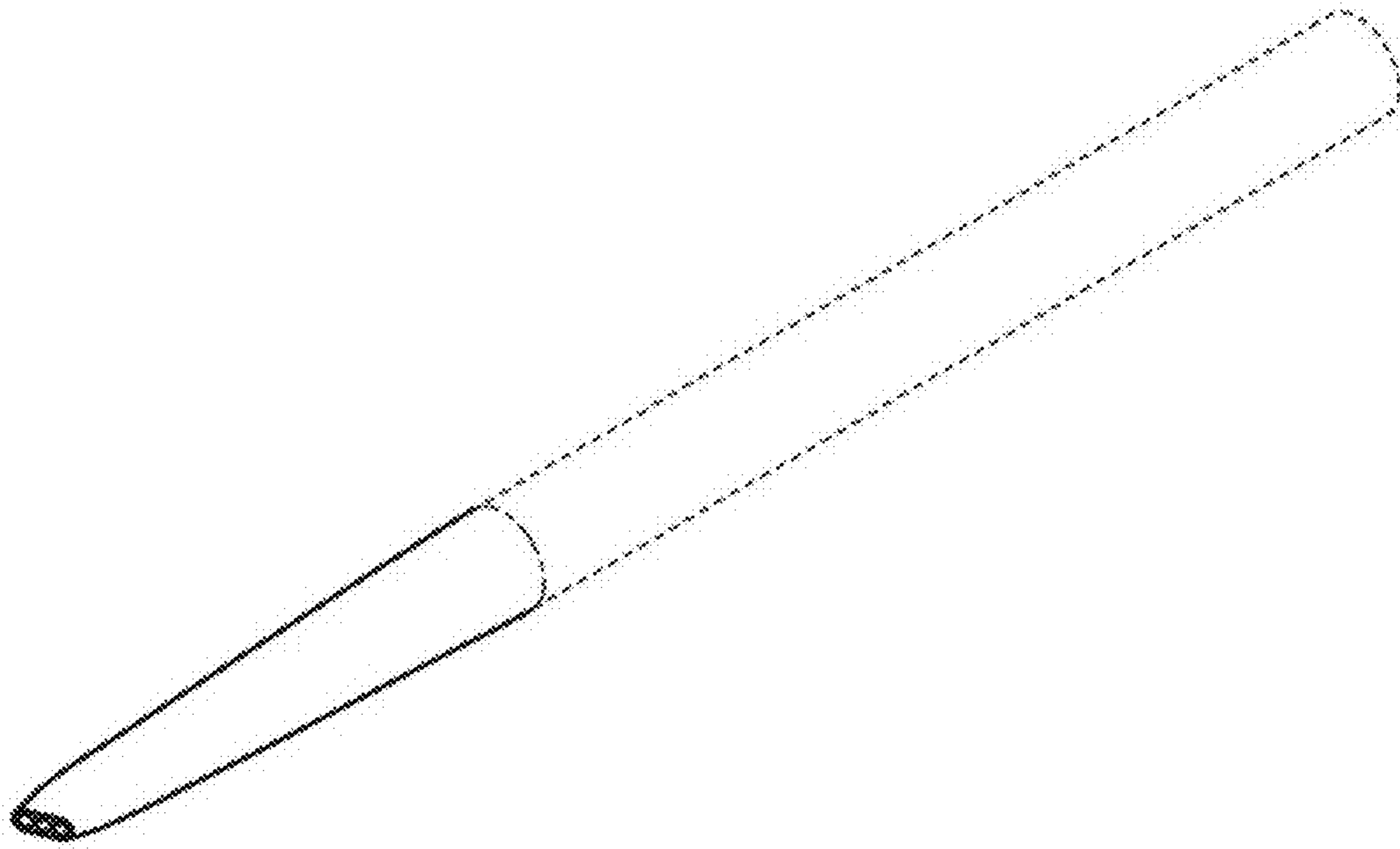
1.9



1.10



2.1



2.2



2.3



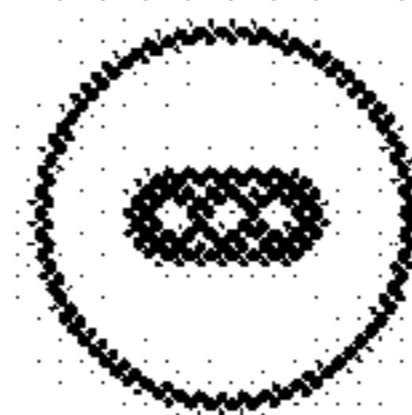
2.4



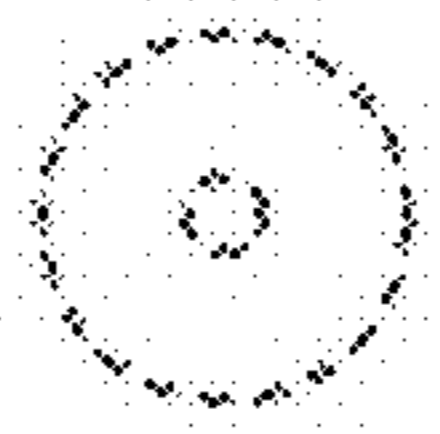
2.5



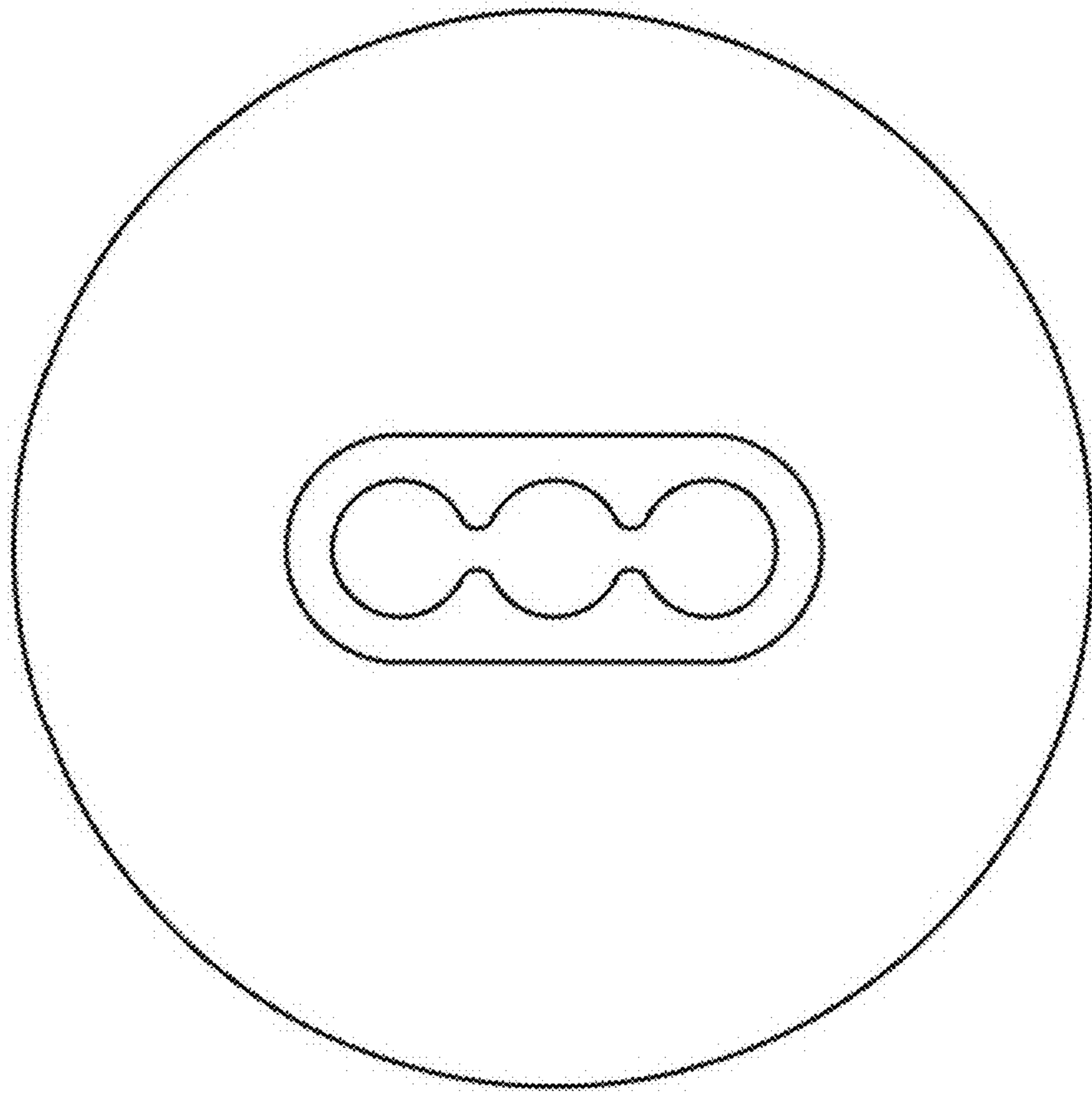
2.6



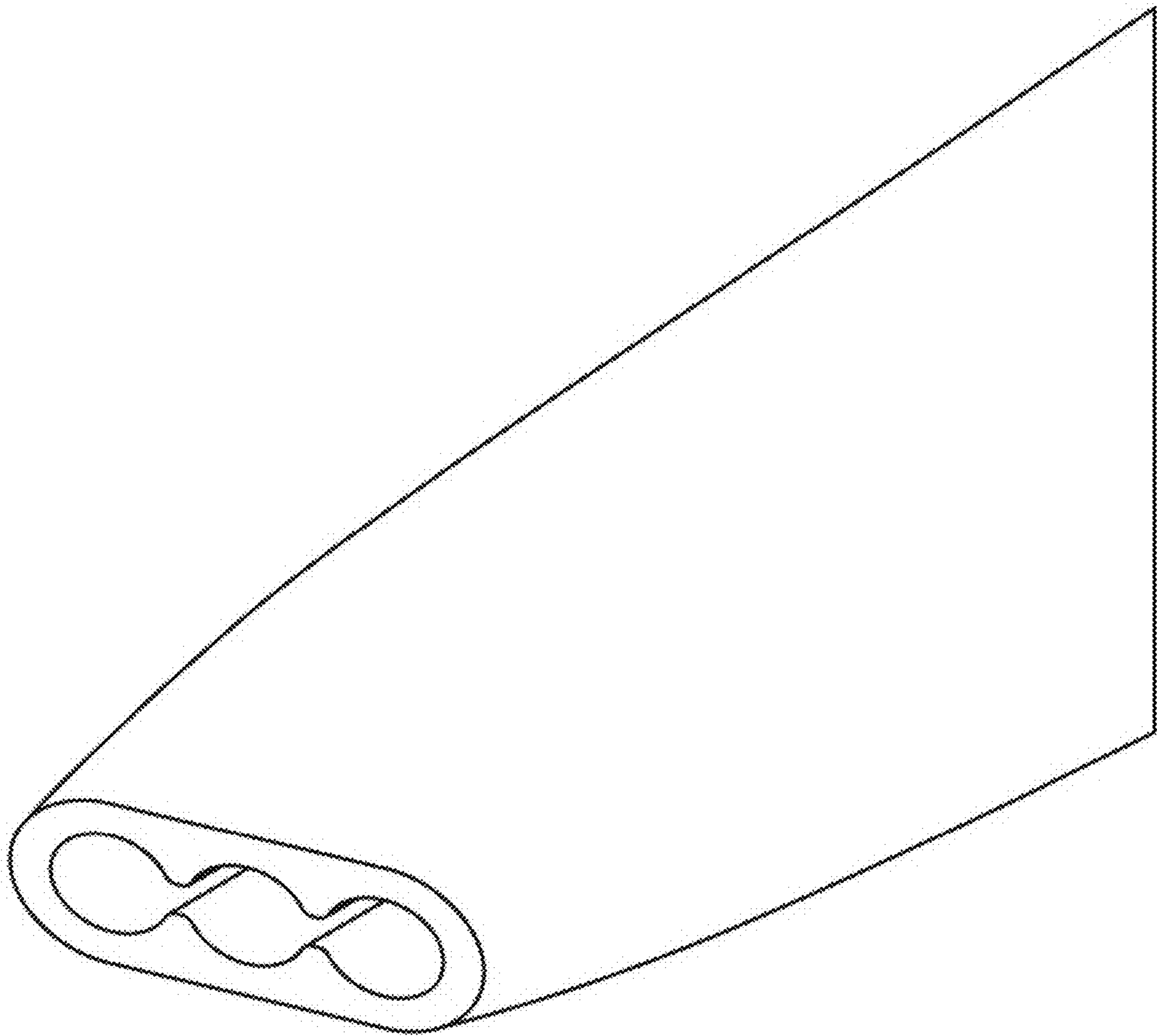
2.7



2.8



2.9



2.10

