



US00D859743S

(12) **United States Design Patent**  
**Lambrecht**

(10) **Patent No.:** **US D859,743 S**

(45) **Date of Patent:** **\*\* Sep. 10, 2019**

(54) **HAIR CLIPPER**

(71) Applicant: **WAHL GMBH**, Unterkirnach (DE)

(72) Inventor: **Sven Lambrecht**, Dauchingen (DE)

(73) Assignee: **WAHL GMBH**, Unterkirnach (DE)

(\*\*) Term: **15 Years**

(21) Appl. No.: **35/503,698**

(22) Filed: **Jul. 25, 2017**

(80) **Hague Agreement Data**

Int. Filing Date: **Jul. 25, 2017**

Int. Reg. No.: **DM/097612**

Int. Reg. Date: **Jul. 25, 2017**

Int. Reg. Pub. Date: **Sep. 22, 2017**

(51) **LOC (12) Cl.** ..... **28-03**

(52) **U.S. Cl.**

USPC ..... **D28/53**

CPC ..... **B26B 19/00** (2013.01)

(58) **Field of Classification Search**

USPC ..... D28/49-54

CPC ..... B26B 19/00-107

See application file for complete search history.

(56) **References Cited**

**U.S. PATENT DOCUMENTS**

D493,573 S *	7/2004	Graf .....	D28/53
D586,955 S *	2/2009	Eigenstetter .....	D28/53
D604,907 S *	11/2009	Emminger .....	D28/53
D606,259 S *	12/2009	Emminger .....	D28/53
D626,693 S *	11/2010	Harbeke .....	D28/53
D655,862 S *	3/2012	Scheunert .....	D28/53
D675,781 S *	2/2013	Whittaker .....	D28/53
D681,276 S *	4/2013	Colle .....	D28/53
D682,471 S *	5/2013	Yde .....	D28/53

D684,319 S *	6/2013	Wan .....	D28/54
D698,083 S *	1/2014	Werner .....	D28/53
D705,485 S *	5/2014	Lin .....	D28/53
D720,888 S *	1/2015	Colle .....	D28/53
D721,205 S *	1/2015	Colle .....	D28/53
D749,786 S *	2/2016	Werner .....	D28/53
D759,308 S *	6/2016	Reuter .....	D28/53
D759,309 S *	6/2016	Reuter .....	D28/53
D760,437 S *	6/2016	Emminger .....	D28/53
D760,438 S *	6/2016	Emminger .....	D28/53
D784,618 S *	4/2017	Mori .....	D28/53
D784,619 S *	4/2017	Mori .....	D28/53
D787,746 S *	5/2017	Werner .....	D28/53
D797,286 S *	9/2017	Ginggen .....	D24/146
D799,753 S *	10/2017	Ishikura .....	D28/53
D800,965 S *	10/2017	Aulwes .....	D28/53
D814,703 S *	4/2018	Aulwes .....	D28/53
D817,550 S *	5/2018	Aulwes .....	D28/53
D820,521 S *	6/2018	Nitsch .....	D28/53
D821,652 S *	6/2018	Skuhra .....	D28/53

(Continued)

*Primary Examiner* — Richard E Chilcot

(74) *Attorney, Agent, or Firm* — Muirhead and Saturnelli, LLC

(57) **CLAIM**

The ornamental design for a hair clipper, as shown and described.

**DESCRIPTION**

FIG. 1.1 is a perspective view of a new design for a hair clipper.

FIG. 1.2 is a back view of a new design for a hair clipper.

FIG. 1.3 is a left view of a new design for a hair clipper.

FIG. 1.4 is a top view of a new design for a hair clipper.

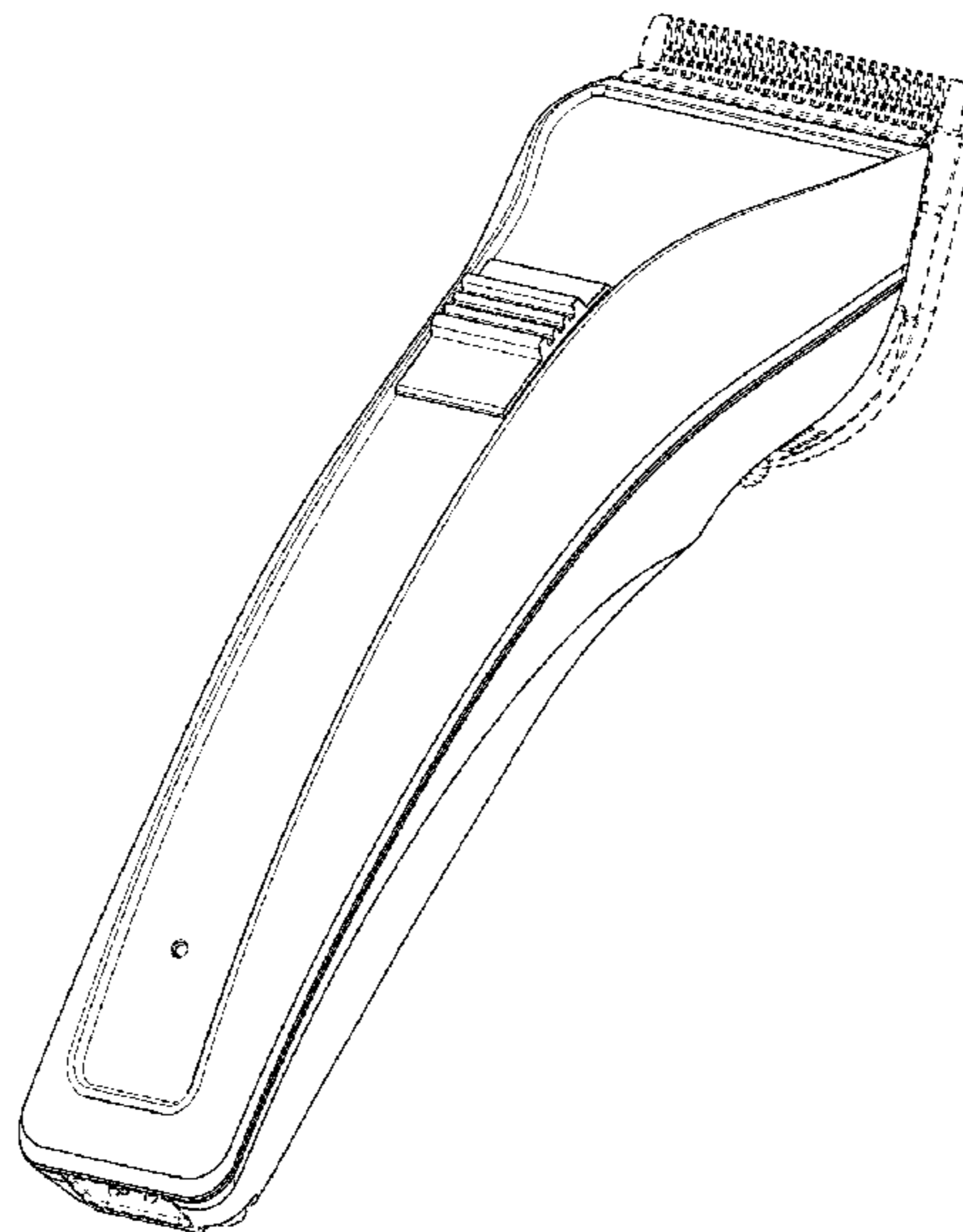
FIG. 1.5 is a right view of a new design for a hair clipper.

FIG. 1.6 is a bottom view of a new design for a hair clipper.

FIG. 1.7 is a front view of a new design for a hair clipper.

The broken lines depicting a blade portion are for environmental purposes and form no part of the claimed design.

**1 Claim, 7 Drawing Sheets**



(56)

**References Cited**

U.S. PATENT DOCUMENTS

D833,678 S \* 11/2018 Ratzlaff ..... D28/52  
2011/0289777 A1 \* 12/2011 Quan ..... B26B 19/06  
30/43.92

\* cited by examiner

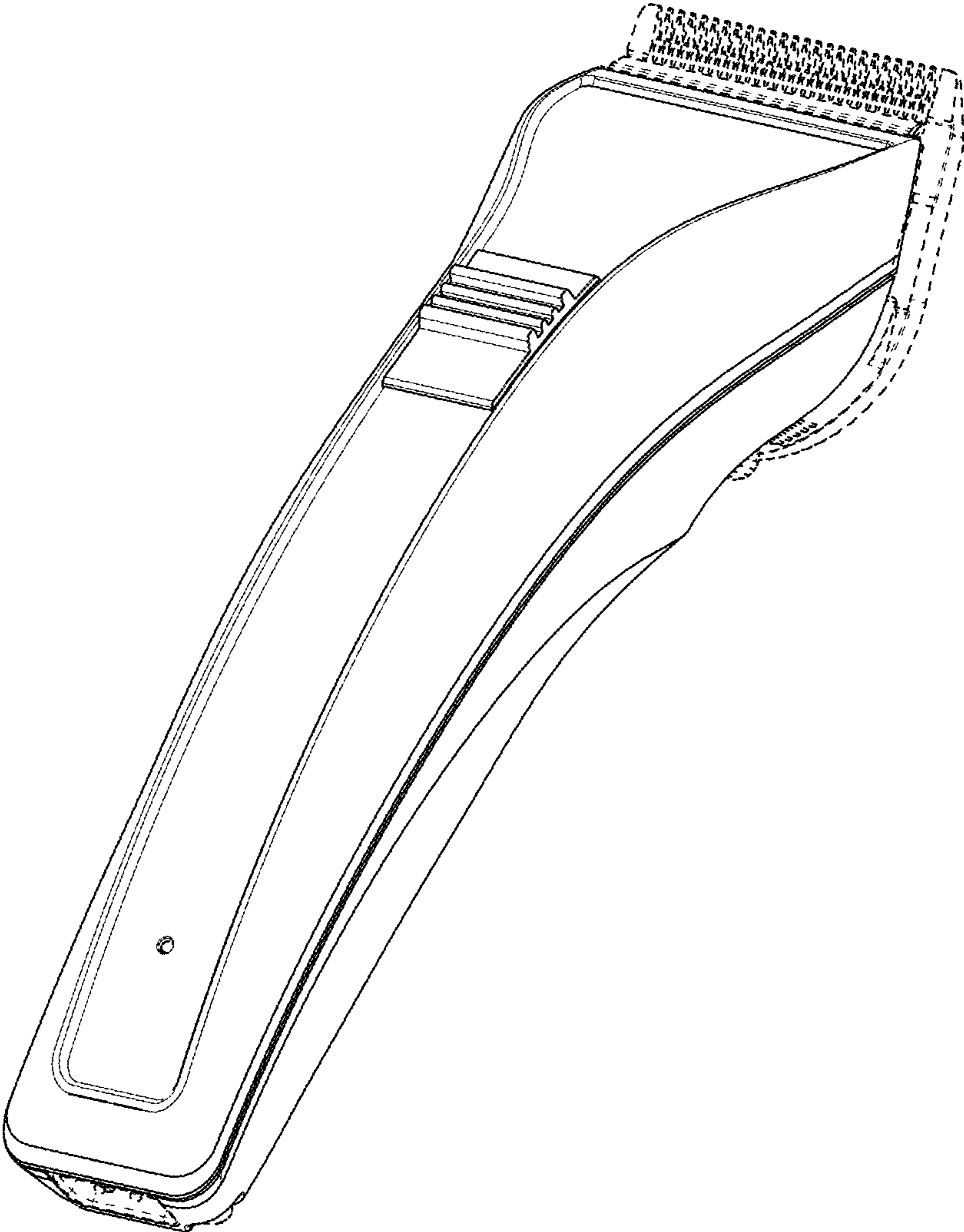


FIG. 1.1

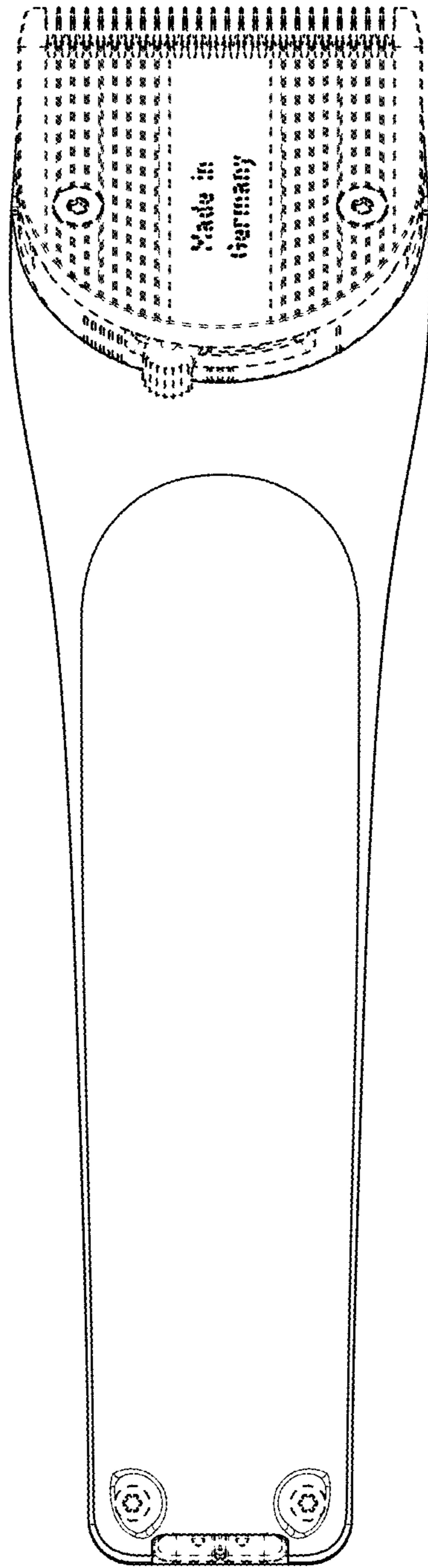


FIG. 1.2

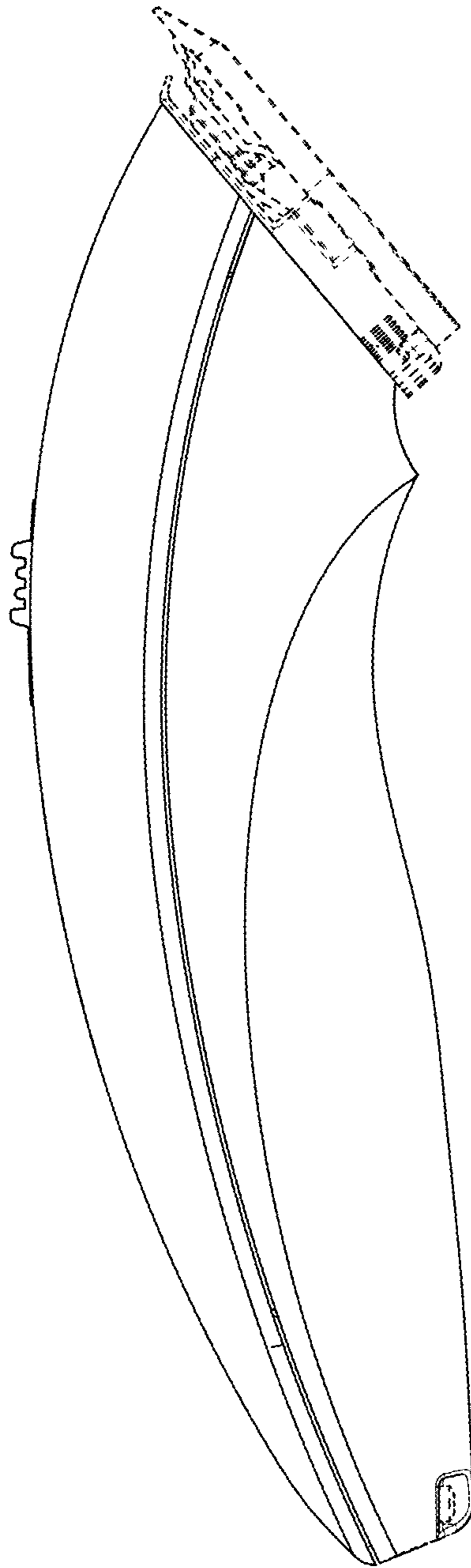


FIG. 1.3

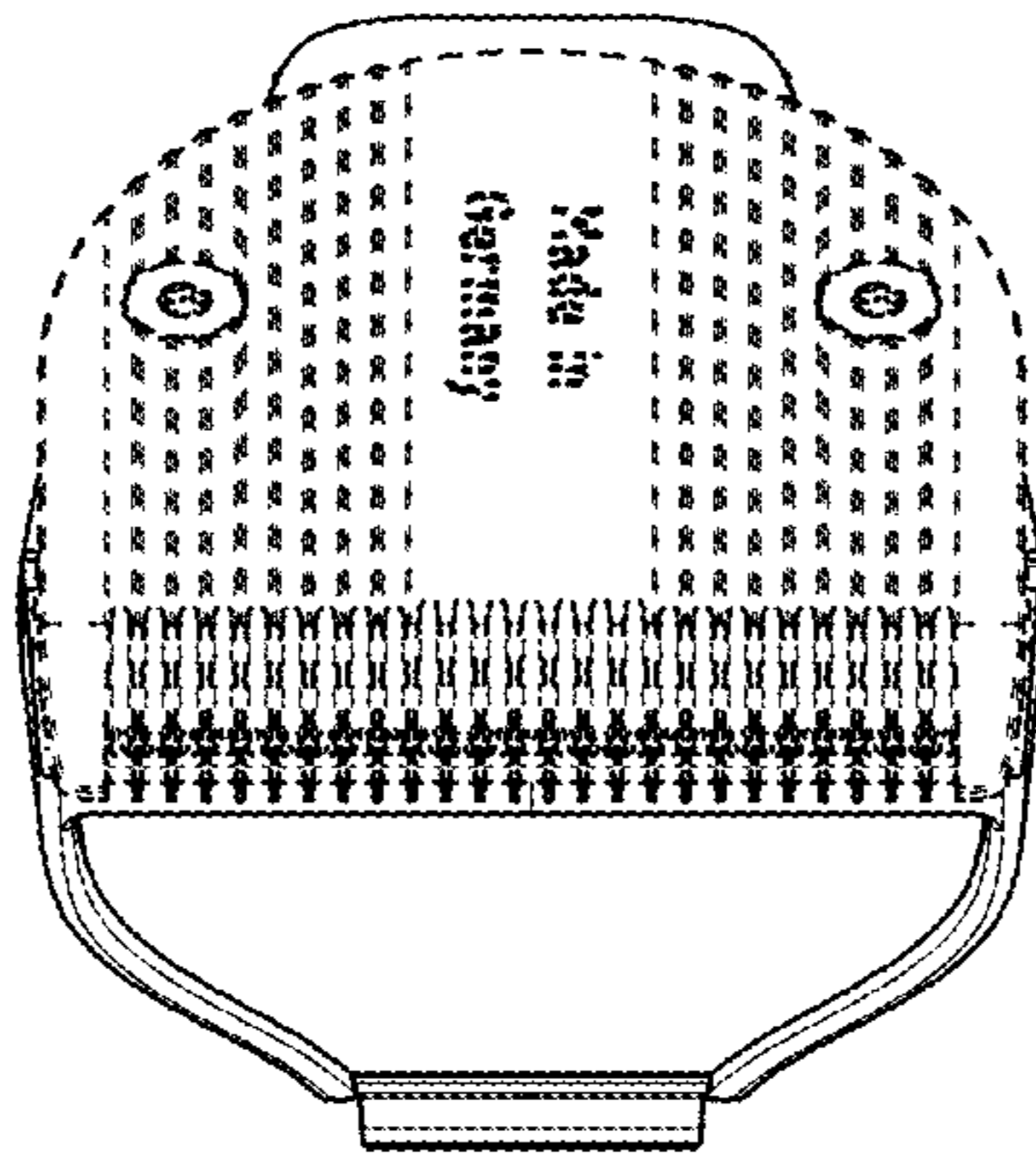


FIG. 1.4

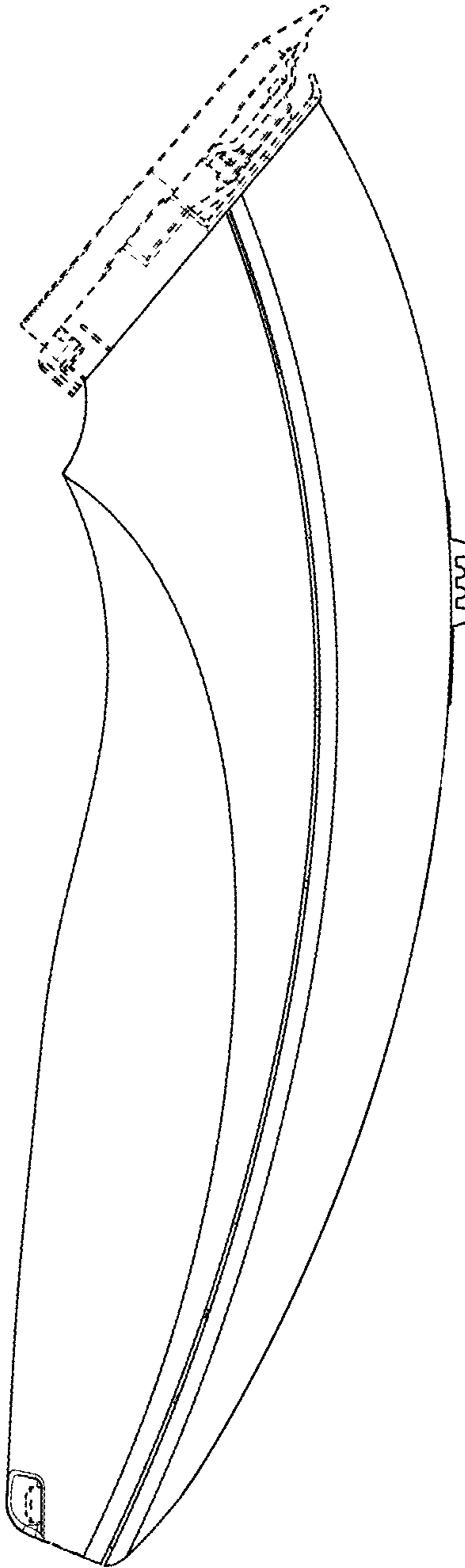


FIG. 1.5

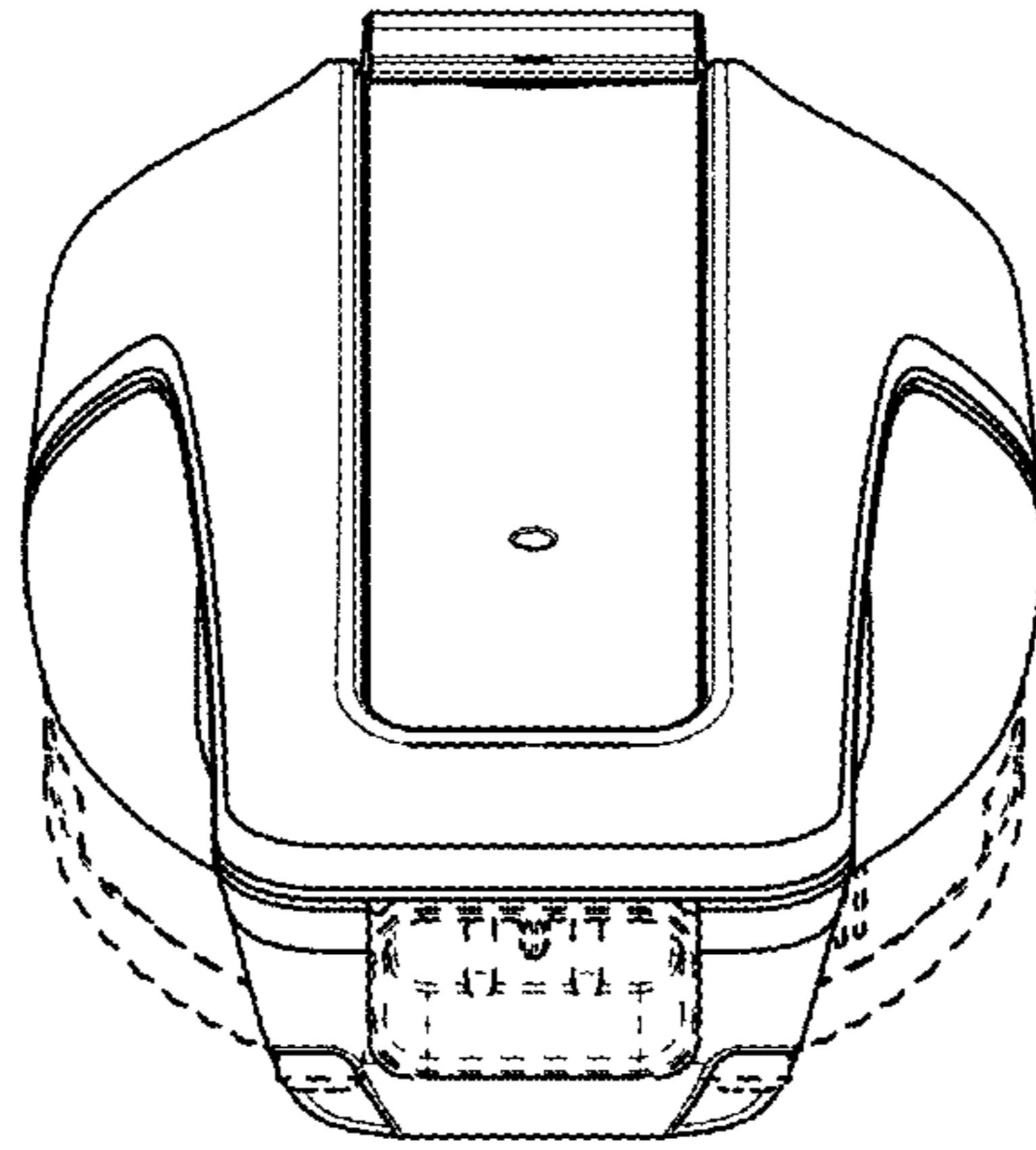


FIG. 1.6



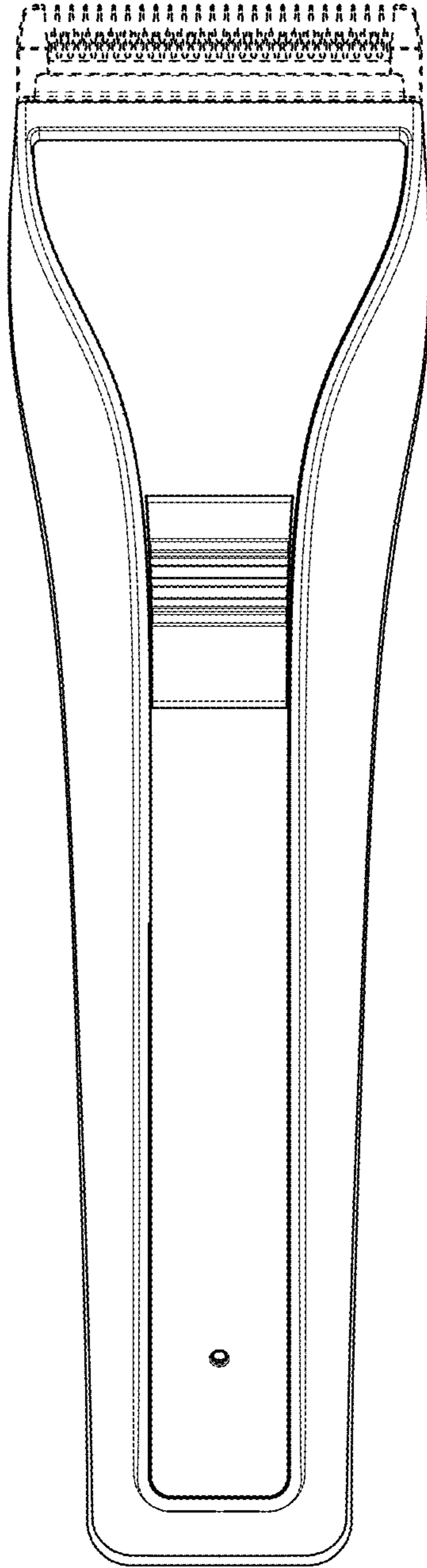


FIG. 1.7