



US00D859740S

(12) **United States Design Patent**
Grienay et al.

(10) **Patent No.:** **US D859,740 S**

(45) **Date of Patent:** **** Sep. 10, 2019**

(54) **HAIR STRAIGHTENING APPARATUS WITH
REMOVABLE COMPONENT**

(71) Applicant: **CALOR**, Ecully (FR)

(72) Inventors: **Arnaud Grienay**, Ecully (FR); **Manon Malatray**, Ecully (FR)

(73) Assignees: **CALOR**, Ecully (FR); **L'OREAL**, Paris (FR)

(**) Term: **15 Years**

(21) Appl. No.: **29/590,199**

(22) Filed: **Jan. 9, 2017**

(30) **Foreign Application Priority Data**

Jul. 7, 2016 (EM) 003298520-0002
Jul. 7, 2016 (EM) 003298520-0003

(51) **LOC (12) Cl.** **28-03**

(52) **U.S. Cl.**
USPC **D28/35**

(58) **Field of Classification Search**
USPC D28/10, 35-38; 132/211, 223, 226-229,
132/237, 245, 254-255, 269, 126,
132/137-140, 213.1; 219/222; 34/96-97
(Continued)

(56) **References Cited**

U.S. PATENT DOCUMENTS

3,946,196 A 3/1976 Waters et al.
4,499,355 A 2/1985 Walter
(Continued)

FOREIGN PATENT DOCUMENTS

EM 000112784-0001 12/2003
EM 000686928-0003 3/2007
(Continued)

OTHER PUBLICATIONS

NPL #1: Steampod, L'Oreal, mixed-hair.blogspot.com.com, posted by Chantelle Emily on Jan. 7, 2014 © 2018 Mixed Beauty, online, visited Jun. 14, 2018. Available from Internet, URL: http://mixed-hair.blogspot.com/2014/01/my-new-love-steannpod.html (Year: 2014).*

Primary Examiner — Shannon W Morgan

Assistant Examiner — Altaira J Swangin

(74) *Attorney, Agent, or Firm* — Loeb & Loeb LLP

(57) **CLAIM**

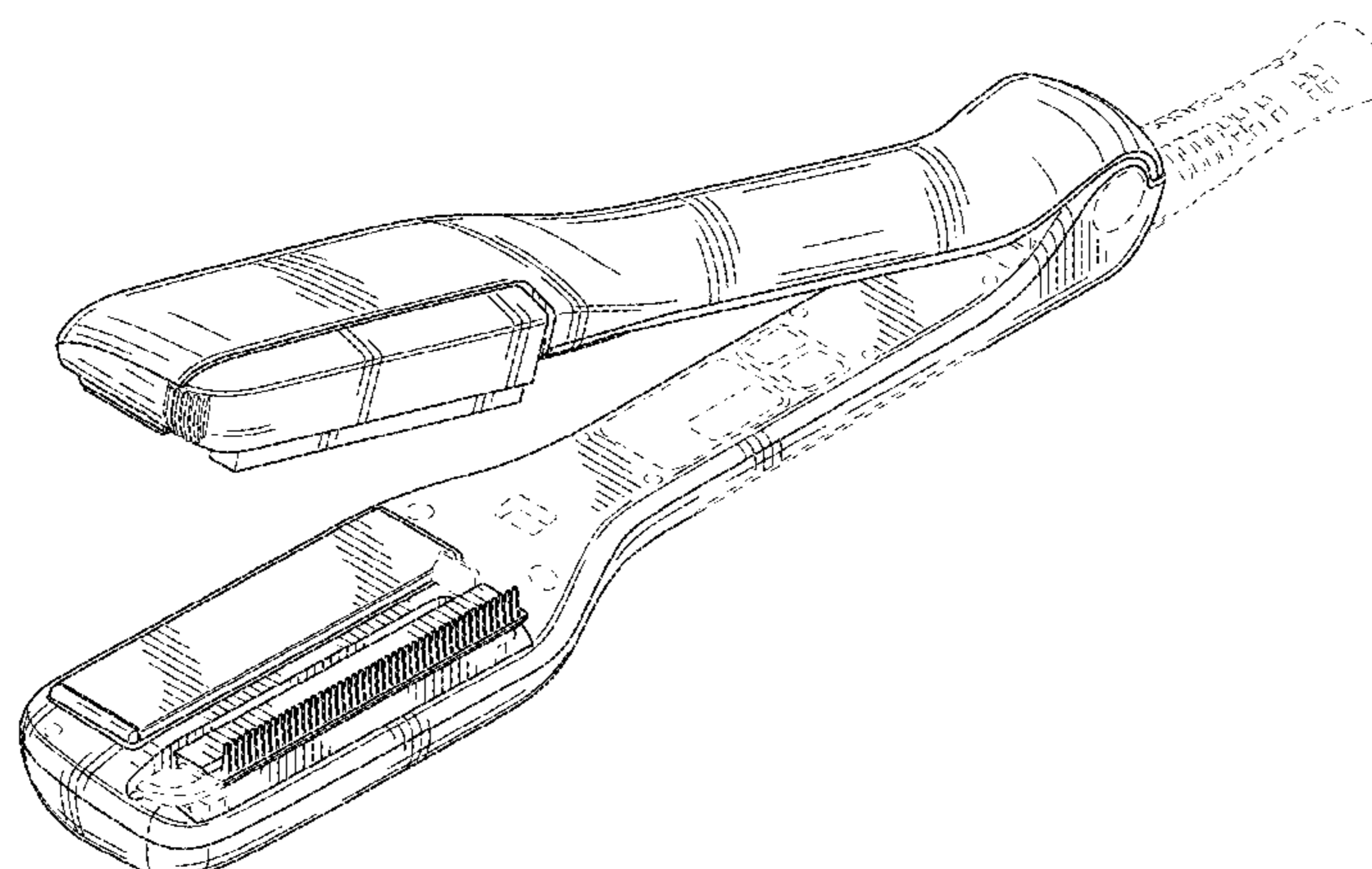
The ornamental design for a hair straightening apparatus with removable component, as shown and described.

DESCRIPTION

FIG. 1 is an isometric view of a hair straightening apparatus with removable component showing our new design; FIG. 2 is a front elevational view thereof; FIG. 3 is a rear elevational view thereof; FIG. 4 is a right side elevational view thereof; FIG. 5 is a left side elevational view thereof; FIG. 6 is a top view thereof; FIG. 7 is a bottom view thereof; FIG. 8 is an isometric view of the removable component of FIG. 1, shown removed from the hair straightening apparatus for ease of illustration. FIG. 9 is a front elevational view thereof; FIG. 10 is a rear elevational view thereof; FIG. 11 is a right side elevational view thereof; FIG. 12 is a left side elevational view thereof; FIG. 13 is a top view thereof; and, FIG. 14 is a bottom view thereof.

The even dash broken lines shown in the figure drawings depict portions of the hair straightening apparatus with removable component which form no part of the claimed design. The dot dash line in FIGS. 1, 4, and 6 is for the purpose of illustrating the bounds of the claimed design and forms no part thereof.

1 Claim, 10 Drawing Sheets



(58) **Field of Classification Search**
 CPC ... A45D 1/00; A45D 1/02; A45D 1/04; A45D
 2001/002; A45D 2001/004; A45D
 2001/008; A45D 1/28; A45D 7/02; A45D
 1/06; A45D 2/002; A45D 1/18; A45D
 2/42; A45D 2/44; A45D 24/02; A45D
 20/52; A46B 15/0002; A46B 2200/104
 See application file for complete search history.

(56) **References Cited**

U.S. PATENT DOCUMENTS

4,739,151 A * 4/1988 Smal A45D 1/04
 219/225
 4,803,341 A 2/1989 Barowski et al.
 5,309,930 A 5/1994 Presser
 D357,766 S 4/1995 Prince et al.
 D362,922 S 10/1995 Prince et al.
 D363,140 S 10/1995 Accumanno et al.
 5,715,360 A 2/1998 Montagnino
 5,749,379 A 5/1998 Stillwagon et al.
 5,798,500 A 8/1998 Stillwagon, Jr. et al.
 5,896,864 A 4/1999 Boyle et al.
 D440,710 S * 4/2001 Kaizuka D28/35
 D480,176 S * 9/2003 Ouellette D28/35
 6,622,735 B2 * 9/2003 Hirata A45D 1/00
 132/212
 D481,673 S 11/2003 Hsu
 D489,483 S * 5/2004 Cho D28/35
 D489,843 S 5/2004 Malone
 D493,916 S * 8/2004 Ceva D28/35
 D514,252 S * 1/2006 Shin D28/35
 D526,087 S * 8/2006 Seizer D28/35
 D536,483 S 2/2007 Lun et al.
 7,171,704 B2 2/2007 Johnson
 D537,983 S * 3/2007 Shin D28/35
 D559,448 S * 1/2008 Leung D28/35
 D561,936 S * 2/2008 Leung D28/35
 D569,549 S * 5/2008 Leung D28/35
 D569,550 S * 5/2008 Leung D28/35
 D606,251 S 12/2009 Leung
 D606,255 S 12/2009 Leung
 D606,258 S * 12/2009 Leung D28/35
 D618,395 S 6/2010 Mau
 D619,760 S 7/2010 Cheung
 D621,094 S 8/2010 Kaizuka
 D627,925 S 11/2010 Nenadich
 D627,926 S 11/2010 Nenadich
 D632,429 S 2/2011 Kim
 D643,974 S 8/2011 Renault
 D645,614 S 9/2011 Kim
 D646,022 S 9/2011 Schmitz
 D649,288 S 11/2011 Koehler
 D650,525 S 12/2011 Cafaro et al.
 D654,621 S 2/2012 Grienay
 8,110,778 B2 * 2/2012 Wong A45D 1/12
 132/225
 D665,947 S 8/2012 Bachmann et al.
 D667,995 S 9/2012 Grienay
 D671,681 S 11/2012 Grienay
 D671,682 S 11/2012 Grienay
 D672,087 S 12/2012 Julemont
 D672,088 S 12/2012 Julemont
 D672,089 S 12/2012 Julemont
 D680,689 S 4/2013 Grienay
 D682,468 S 5/2013 Kim
 D716,497 S 10/2014 Renault
 9,713,369 B2 * 7/2017 Washington A45D 7/06
 9,781,988 B2 * 10/2017 Washington A45D 7/06
 9,808,061 B2 * 11/2017 Ford A45D 1/04
 9,901,155 B2 * 2/2018 Nuzzo A45D 2/002
 D816,899 S * 5/2018 Duan D28/35
 D836,837 S * 12/2018 Yan D28/35
 10,213,000 B2 * 2/2019 Moore A45D 1/04
 2002/0190047 A1 * 12/2002 Nam A45D 1/04
 219/222

2004/0163661 A1 * 8/2004 Carlucci A45D 1/04
 132/222
 2005/0056631 A1 * 3/2005 Cha A45D 1/04
 219/222
 2005/0076930 A1 * 4/2005 Yuen A45D 2/002
 132/132
 2005/0076932 A1 * 4/2005 Cho A45D 1/04
 132/224
 2006/0108344 A1 * 5/2006 Kim A45D 1/04
 219/225
 2006/0272669 A1 * 12/2006 Imai A45D 1/02
 132/245
 2008/0041409 A1 * 2/2008 Leung A45D 1/04
 132/224
 2008/0257372 A1 * 10/2008 Mills A45D 1/04
 132/224
 2009/0159093 A1 6/2009 Yu
 2009/0260650 A1 * 10/2009 Jung A45D 1/04
 132/224
 2009/0301509 A1 * 12/2009 Leung A45D 1/06
 132/269
 2010/0242985 A1 * 9/2010 Kaizuka A45D 1/04
 132/224
 2010/0288298 A1 11/2010 Serresvives et al.
 2011/0220141 A1 * 9/2011 Chan A45D 1/04
 132/229
 2012/0111355 A1 * 5/2012 Vacheron A45D 1/04
 132/228
 2012/0111356 A1 5/2012 Vacheron et al.
 2012/0227758 A1 * 9/2012 Ford A45D 1/04
 132/211
 2013/0192625 A1 * 8/2013 Migliori A45D 2/001
 132/211
 2014/0166038 A1 * 6/2014 Leung A45D 1/04
 132/221
 2014/0202487 A1 * 7/2014 Fereyre A45D 2/00
 132/224
 2015/0173480 A1 * 6/2015 Washington A45D 2/001
 132/206
 2015/0289620 A1 * 10/2015 Nuzzo A45D 2/002
 132/211
 2015/0313339 A1 * 11/2015 Moore A45D 1/04
 132/224
 2015/0335120 A1 * 11/2015 Moore A45D 1/04
 132/211
 2017/0006988 A1 * 1/2017 Wong A45D 1/04
 2017/0079400 A1 * 3/2017 Fereyre A45D 1/00
 2017/0112254 A1 * 4/2017 Fereyre A45D 19/16
 2017/0135457 A1 * 5/2017 Ngo A45D 1/04
 2017/0181516 A1 * 6/2017 Washington A45D 7/06
 2017/0340082 A1 * 11/2017 Bonnemaire A45D 1/04
 2017/0340083 A1 * 11/2017 Ngo A45D 1/06
 2017/0340084 A1 * 11/2017 Fereyre A45D 2/002
 2018/0352931 A1 * 12/2018 Durif A45D 1/04
 2018/0360184 A1 * 12/2018 Fereyre A45D 1/04
 2019/0008257 A1 * 1/2019 Debaugue A45D 1/00

FOREIGN PATENT DOCUMENTS

EM 0009035470001 3/2008
 EM 0009979940001 9/2008
 EM 001054423-0001 12/2008
 EM 001054423-0002 12/2008
 EM 0011006140001 3/2009
 EM 001135875-0014 5/2009
 EM 001135875-0015 5/2009
 EM 001135875-0017 5/2009
 EM 001135875-0018 5/2009
 EM 0011358750012 5/2009
 EM 001150510-0001 7/2009
 EM 001150510-0002 7/2009
 EM 001168165-0001 9/2009
 EM 001190623-0001 1/2010
 EM 001681750-0001 3/2010
 EM 001801549-0006 1/2011
 EM 001258396-0001 4/2011

(56)

References Cited

FOREIGN PATENT DOCUMENTS

EM	001258396-0005		4/2011
IN	294818-0001	*	7/2018
WO	DM072796		12/2009

* cited by examiner

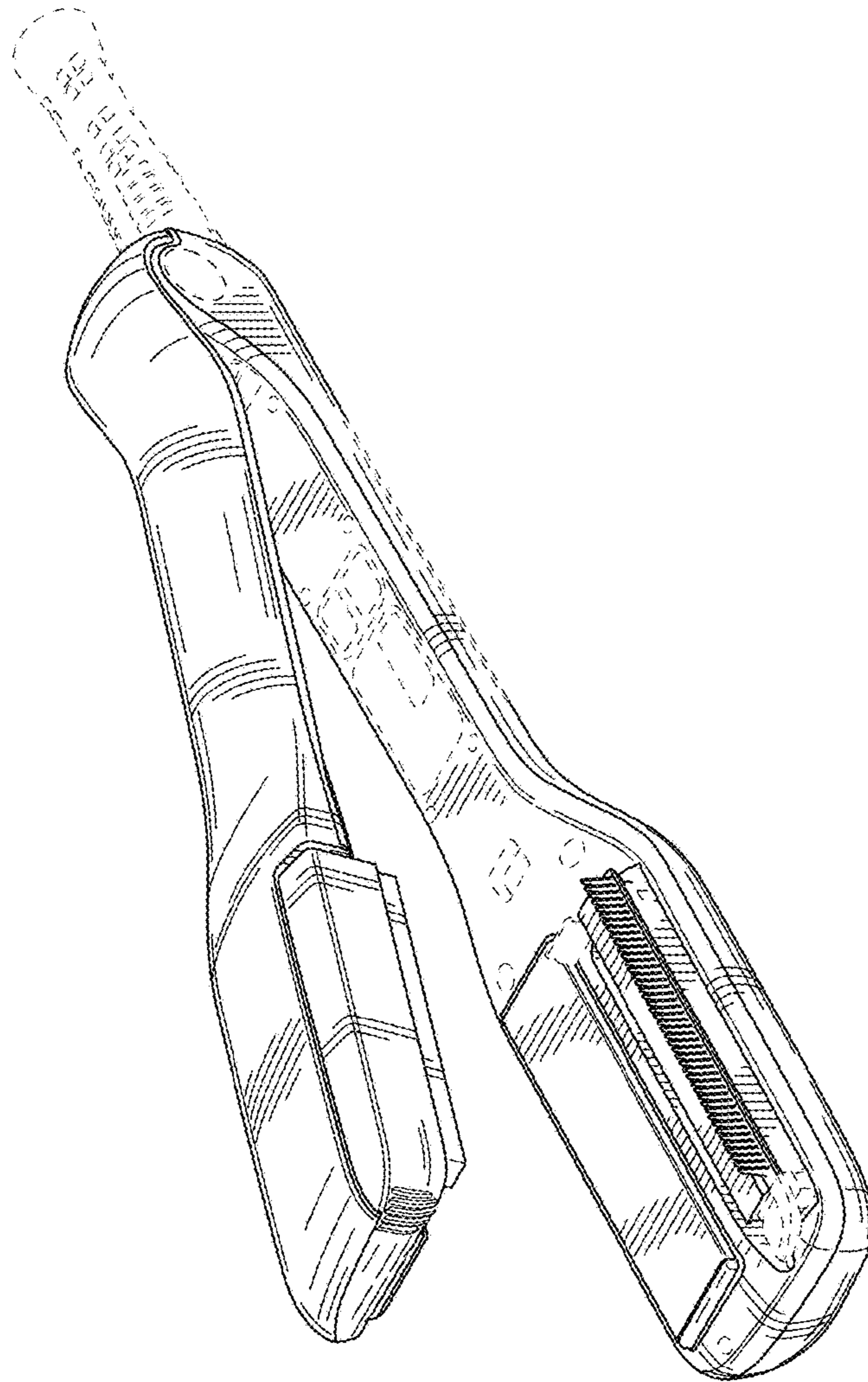


FIG. 1

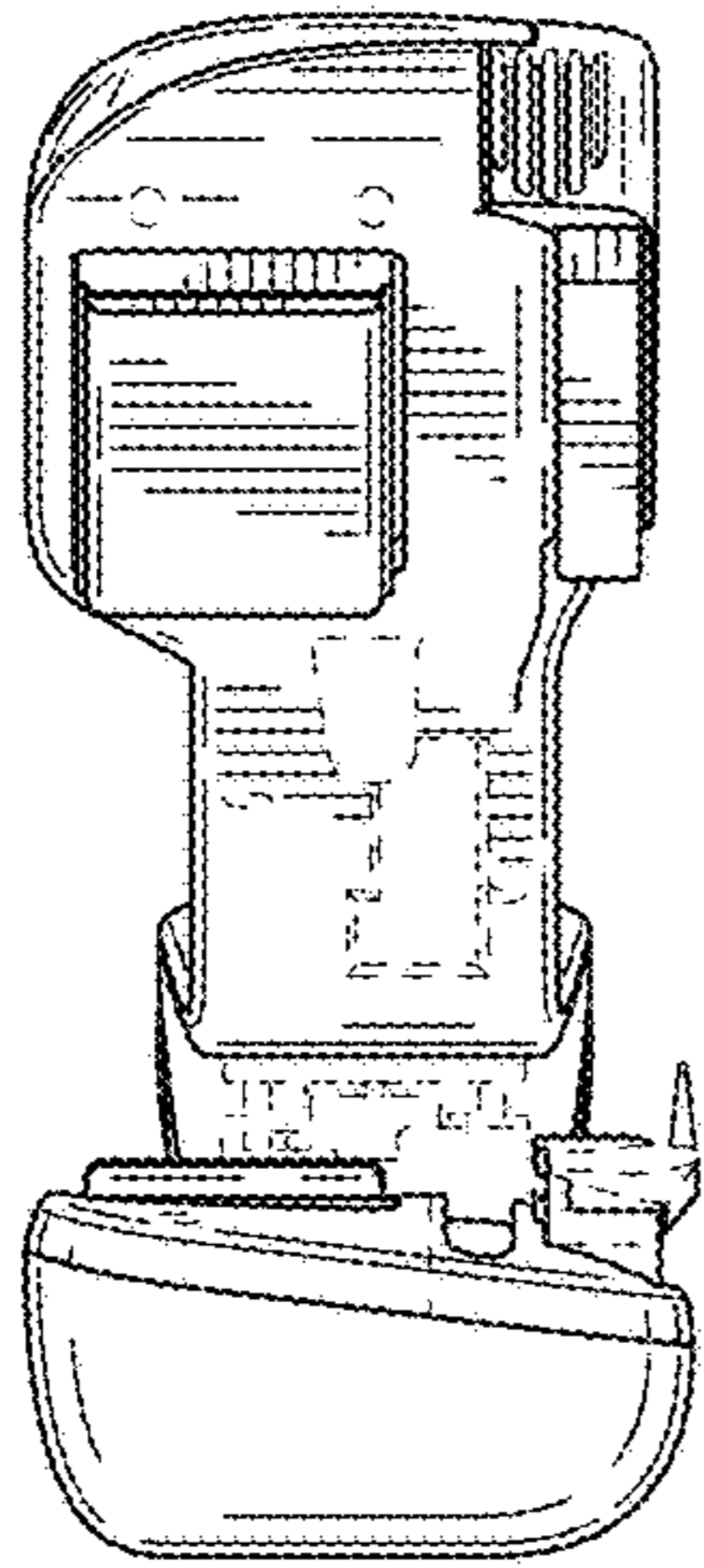


FIG. 2

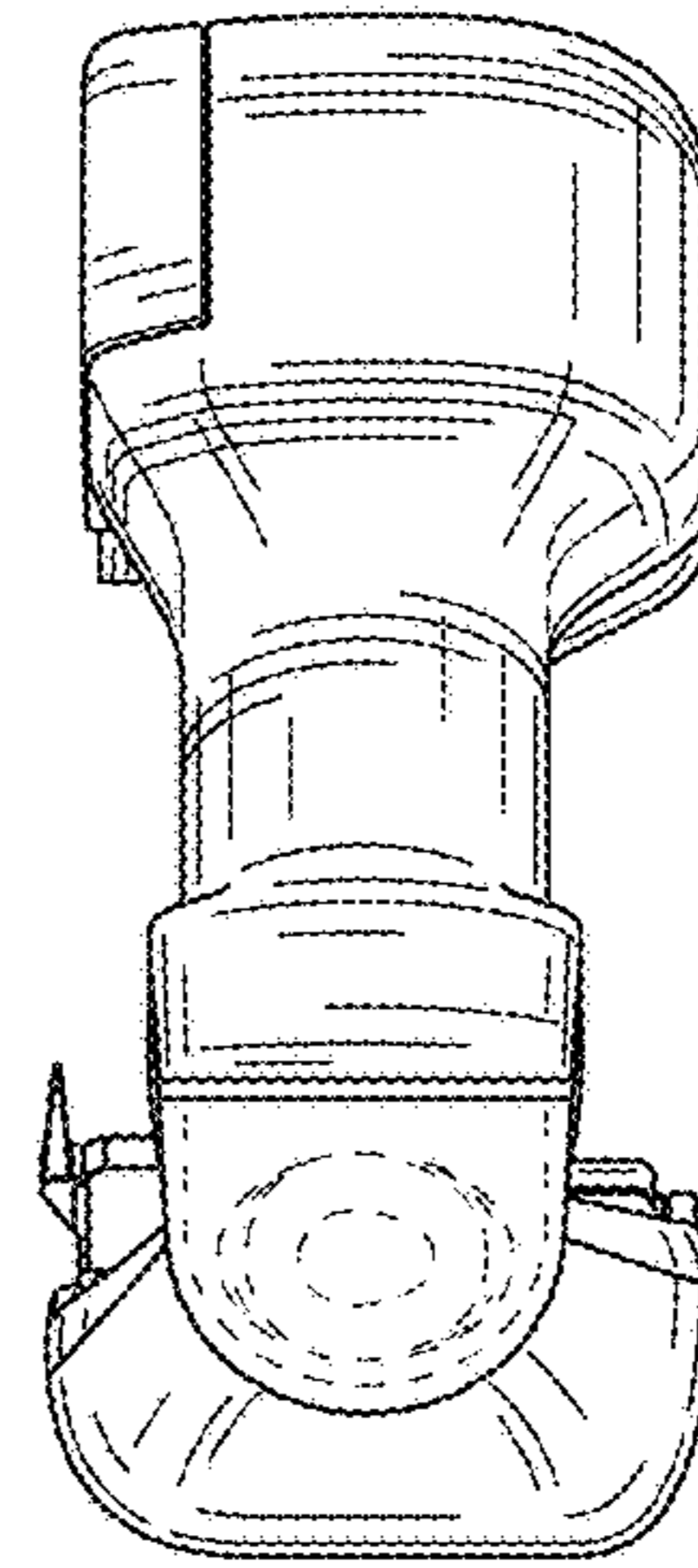


FIG. 3

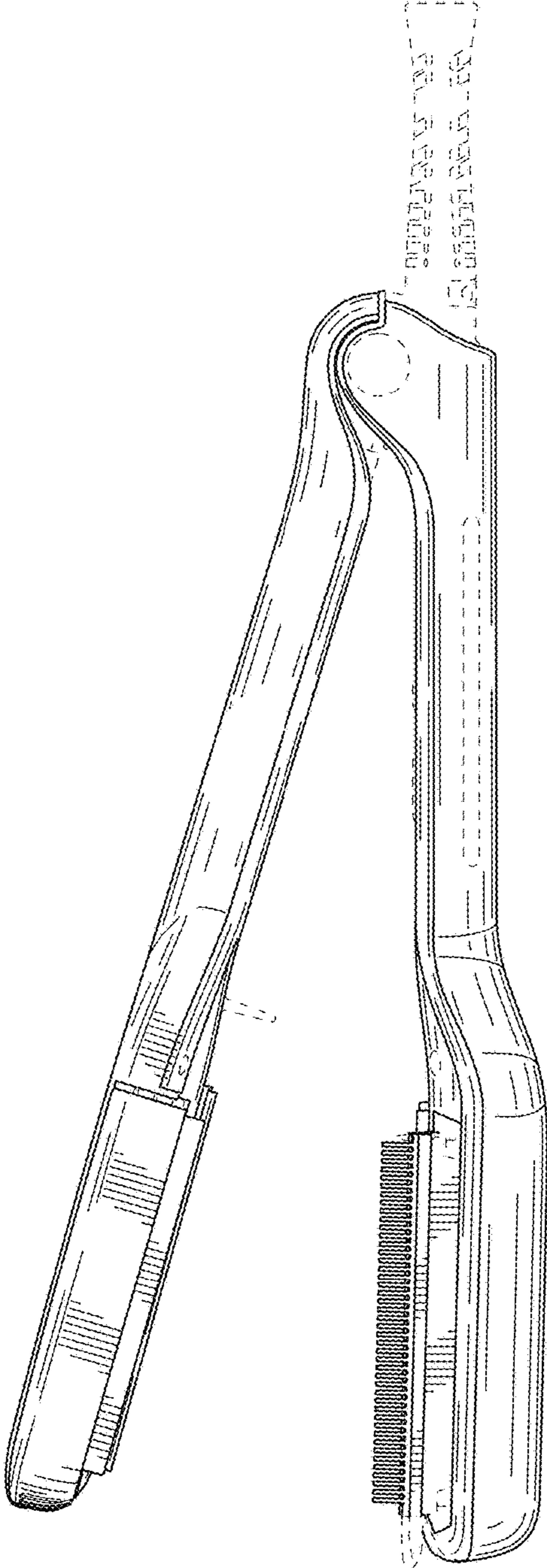


FIG. 4

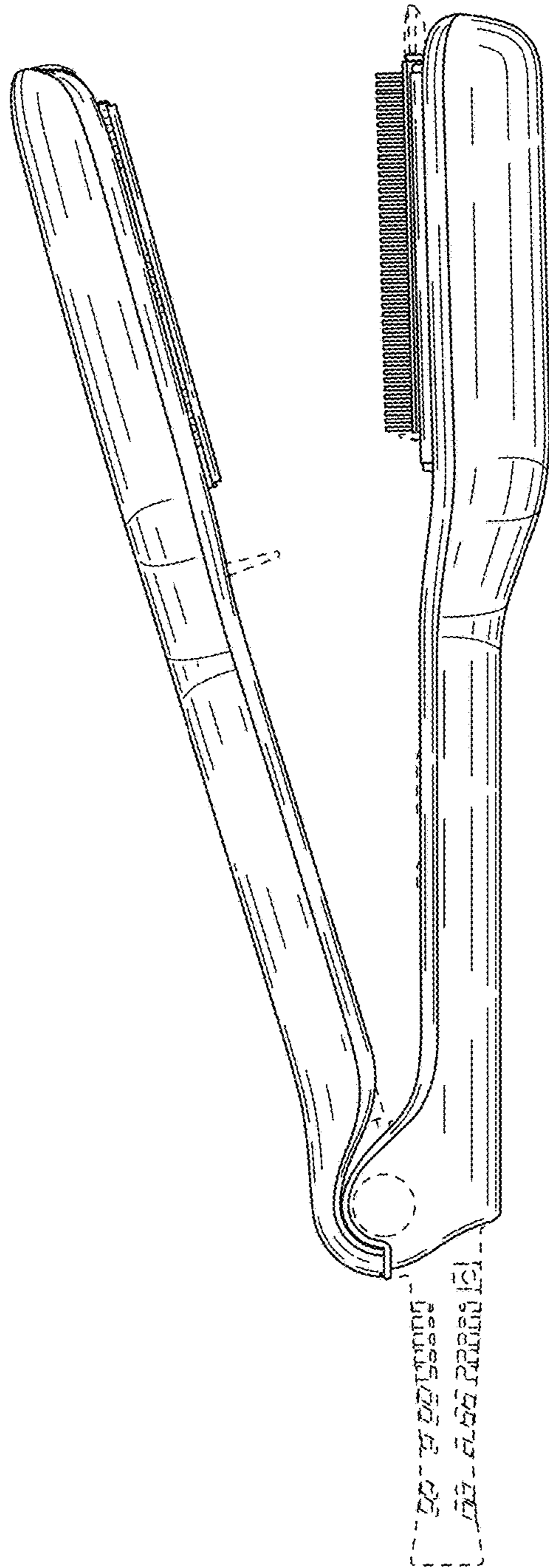


FIG. 5

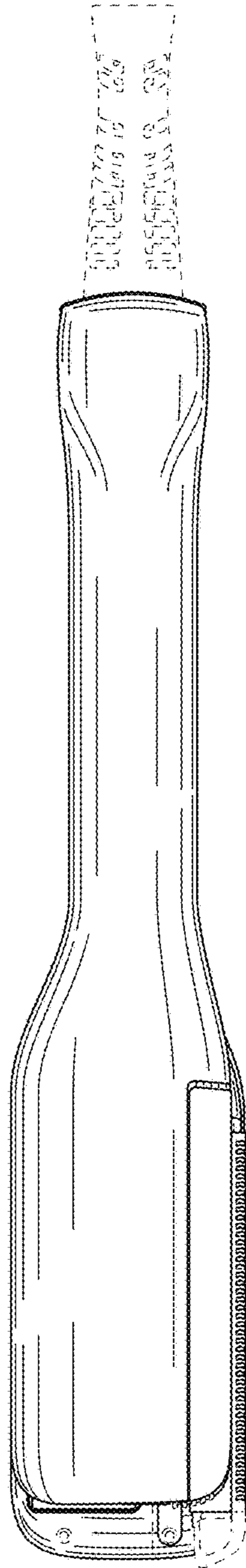


FIG. 6

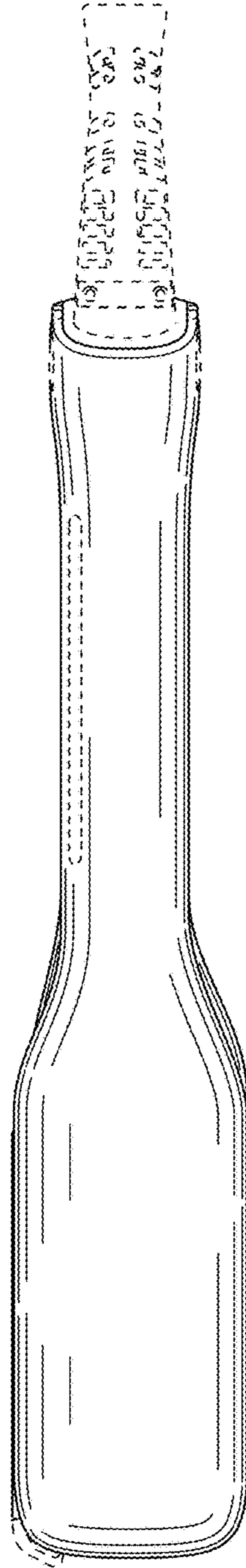


FIG. 7

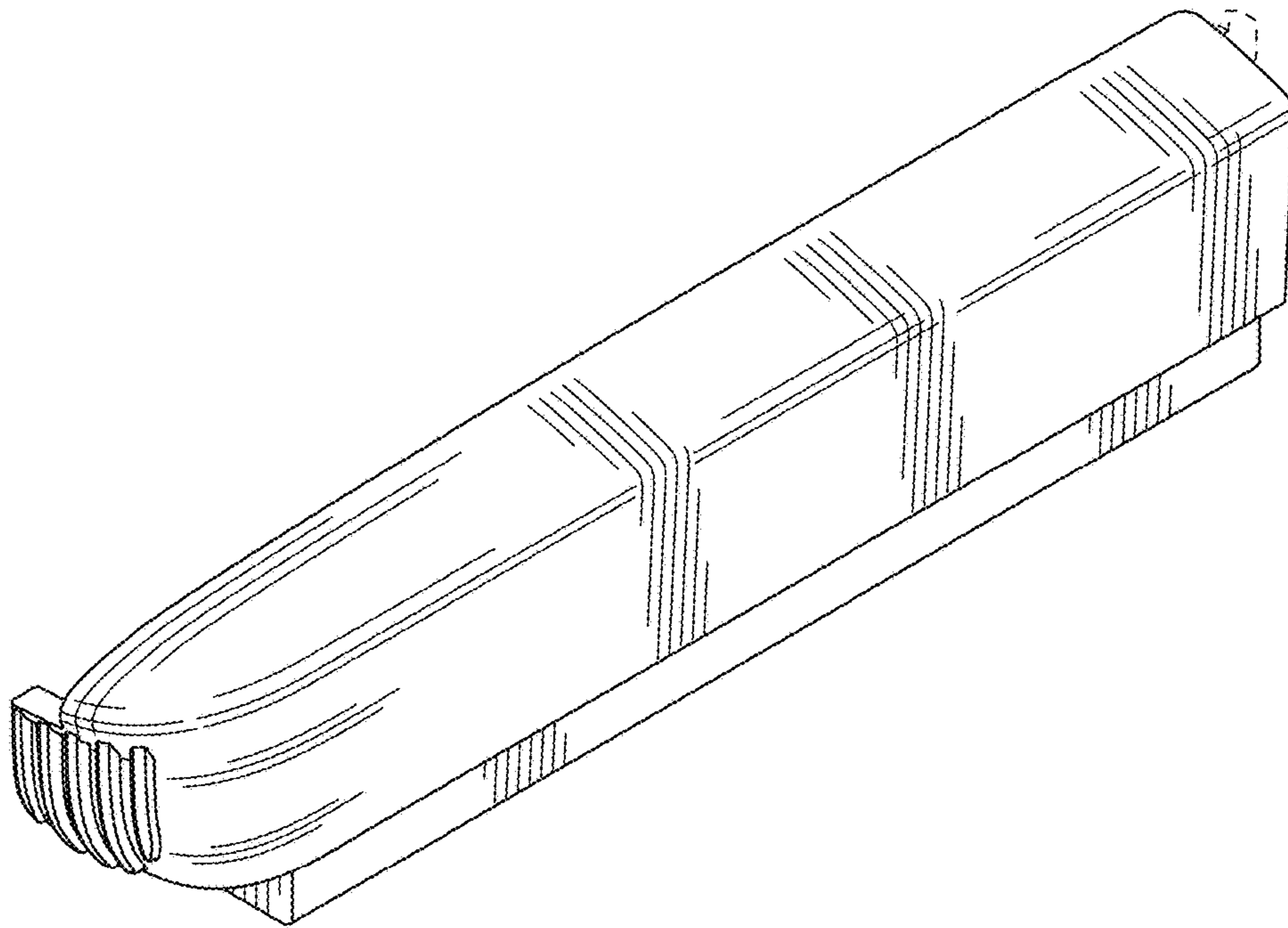


FIG. 8

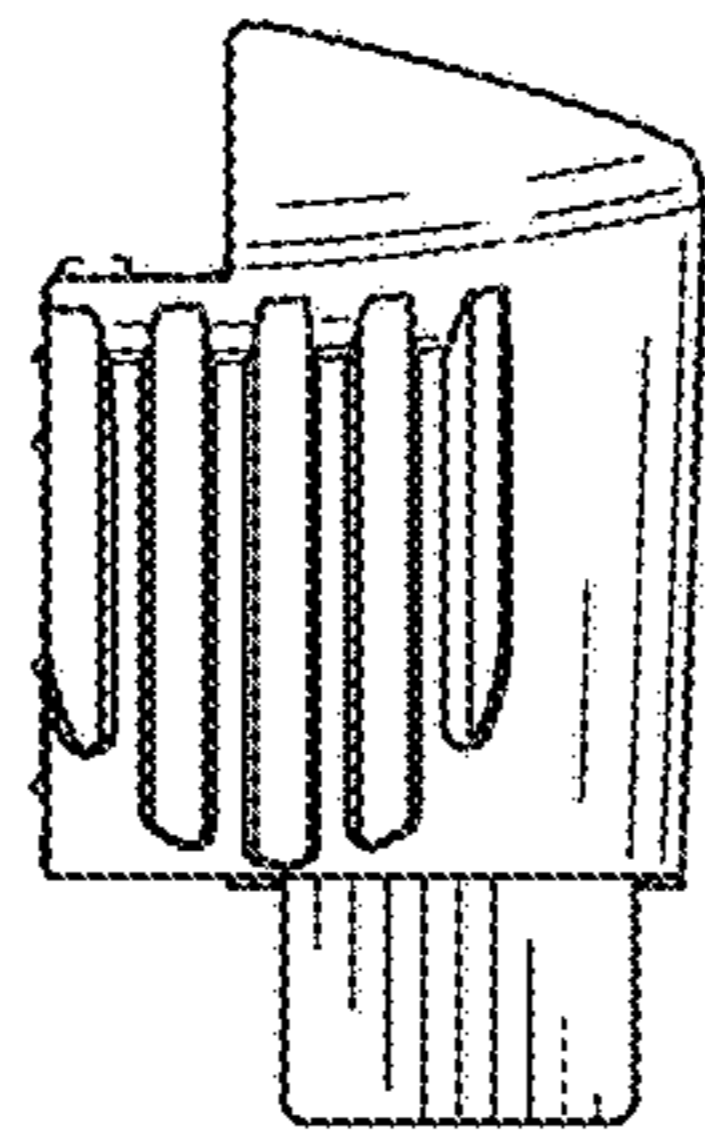


FIG. 9

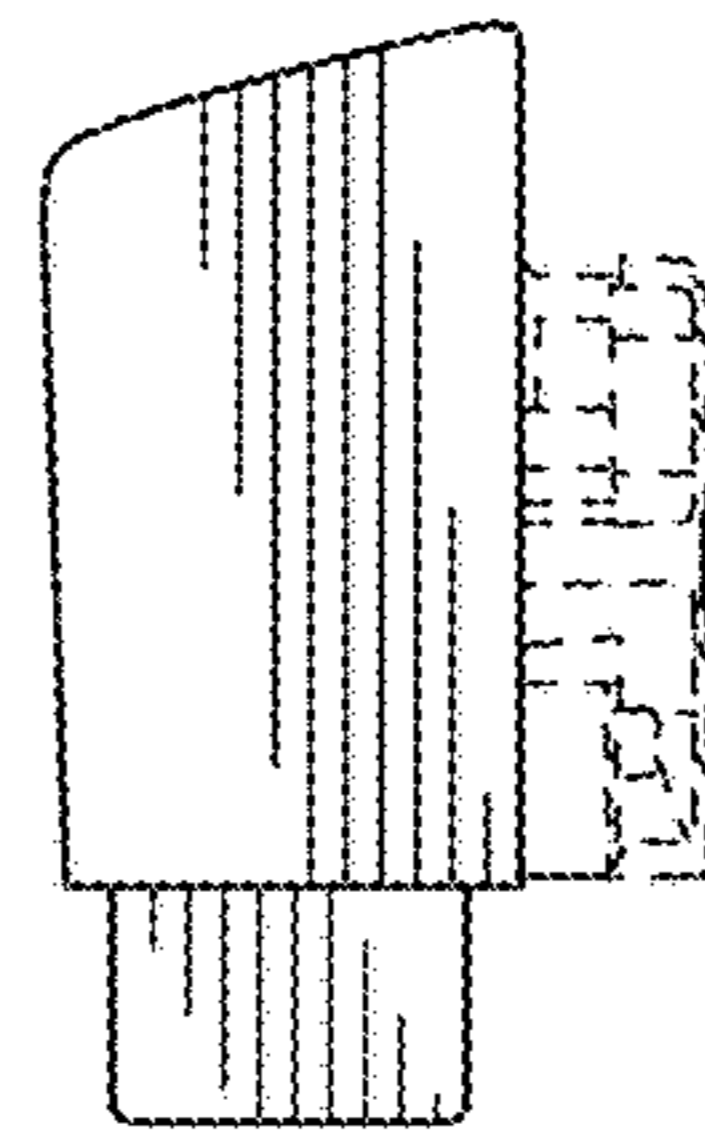


FIG. 10

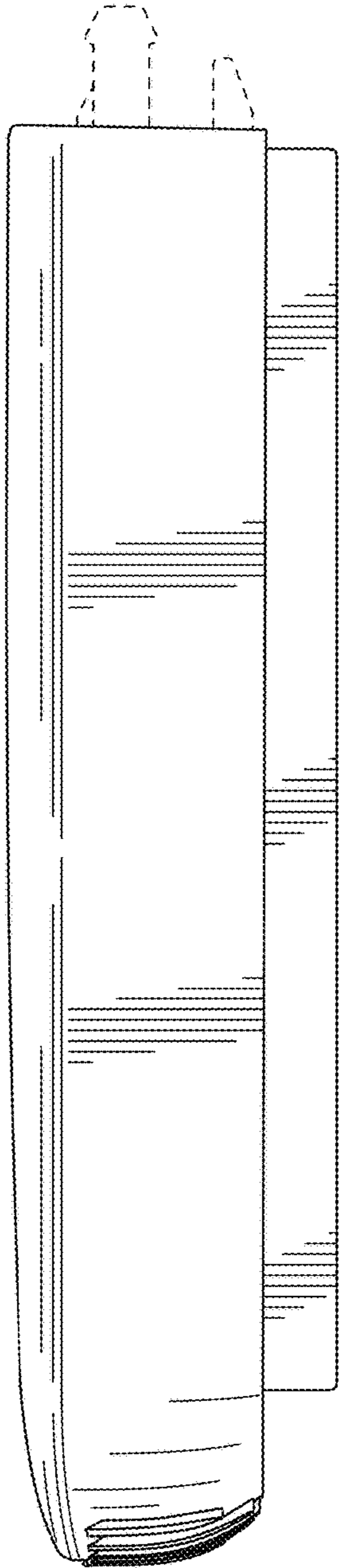


FIG. 11

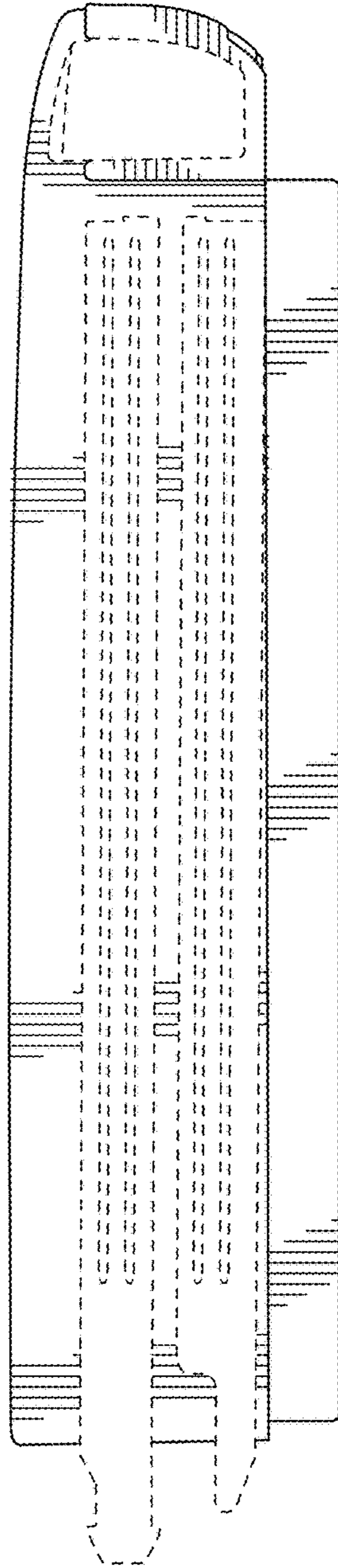


FIG. 12

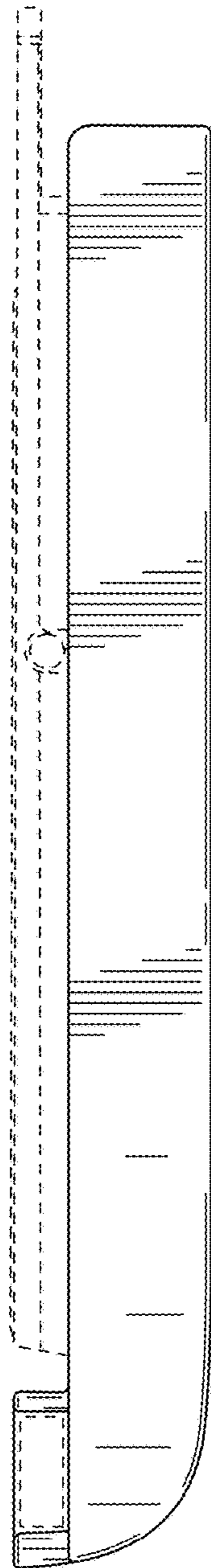


FIG. 13

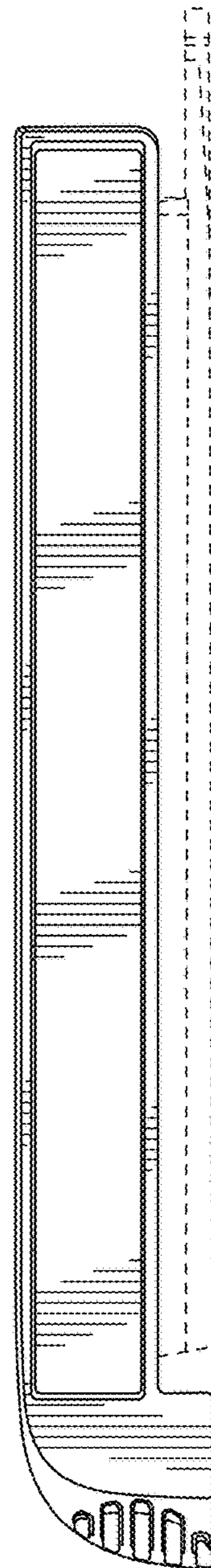


FIG. 14