



US00D859738S

(12) **United States Design Patent**
Huang

(10) **Patent No.:** **US D859,738 S**

(45) **Date of Patent:** **** Sep. 10, 2019**

(54) **HAIR DRYER**

(71) Applicant: **Chuxin Huang**, Jieyang (CN)

(72) Inventor: **Chuxin Huang**, Jieyang (CN)

(73) Assignee: **Jieyang City Yongri Technology Co., Ltd.**, Jieyang (CN)

(**) Term: **15 Years**

(21) Appl. No.: **29/642,535**

(22) Filed: **Mar. 30, 2018**

(51) **LOC (12) Cl.** **28-03**

(52) **U.S. Cl.**
USPC **D28/13**

(58) **Field of Classification Search**
USPC D28/15, 13, 10, 21, 24-26, 28; 34/96-98
CPC A45D 20/12; A45D 20/00; A45D 20/10;
A45D 20/04; A45D 20/08; A45D 20/122;
A45D 20/124; A45D 20/128
See application file for complete search history.

(56) **References Cited**

U.S. PATENT DOCUMENTS

D422,114 S *	3/2000	Gudefin	D28/13
D499,209 S *	11/2004	Ikesaki	D28/13
D519,242 S *	4/2006	Lin	D28/13
D525,389 S *	7/2006	Yu	D28/13
D600,405 S *	9/2009	Soresina	D28/13
D603,094 S *	10/2009	Piard	D28/13
D627,098 S *	11/2010	Kim	D28/13
D627,510 S *	11/2010	Zabala	D28/13
D629,967 S *	12/2010	Mayo	D28/13

D651,342 S *	12/2011	Kim	D28/13
D670,026 S *	10/2012	Hong	D28/13
D677,834 S *	3/2013	Sayers	D28/13
D681,274 S *	4/2013	Huang	D28/13
D681,275 S *	4/2013	Huang	D28/13
D710,541 S *	8/2014	Miyaji	A45D 20/12 D28/13
D715,484 S *	10/2014	Kang	A45D 20/12 D28/13
D750,322 S *	2/2016	Hu	D28/13
D758,657 S *	6/2016	Hary	D28/13
D775,764 S *	1/2017	Prat-Pfister	D28/13
D782,732 S *	3/2017	Smith	D28/13
2015/0366316 A1 *	12/2015	Soresina	A45D 20/12 34/97

* cited by examiner

Primary Examiner — Janice Hallmark
Assistant Examiner — Rebecca Tsehaye

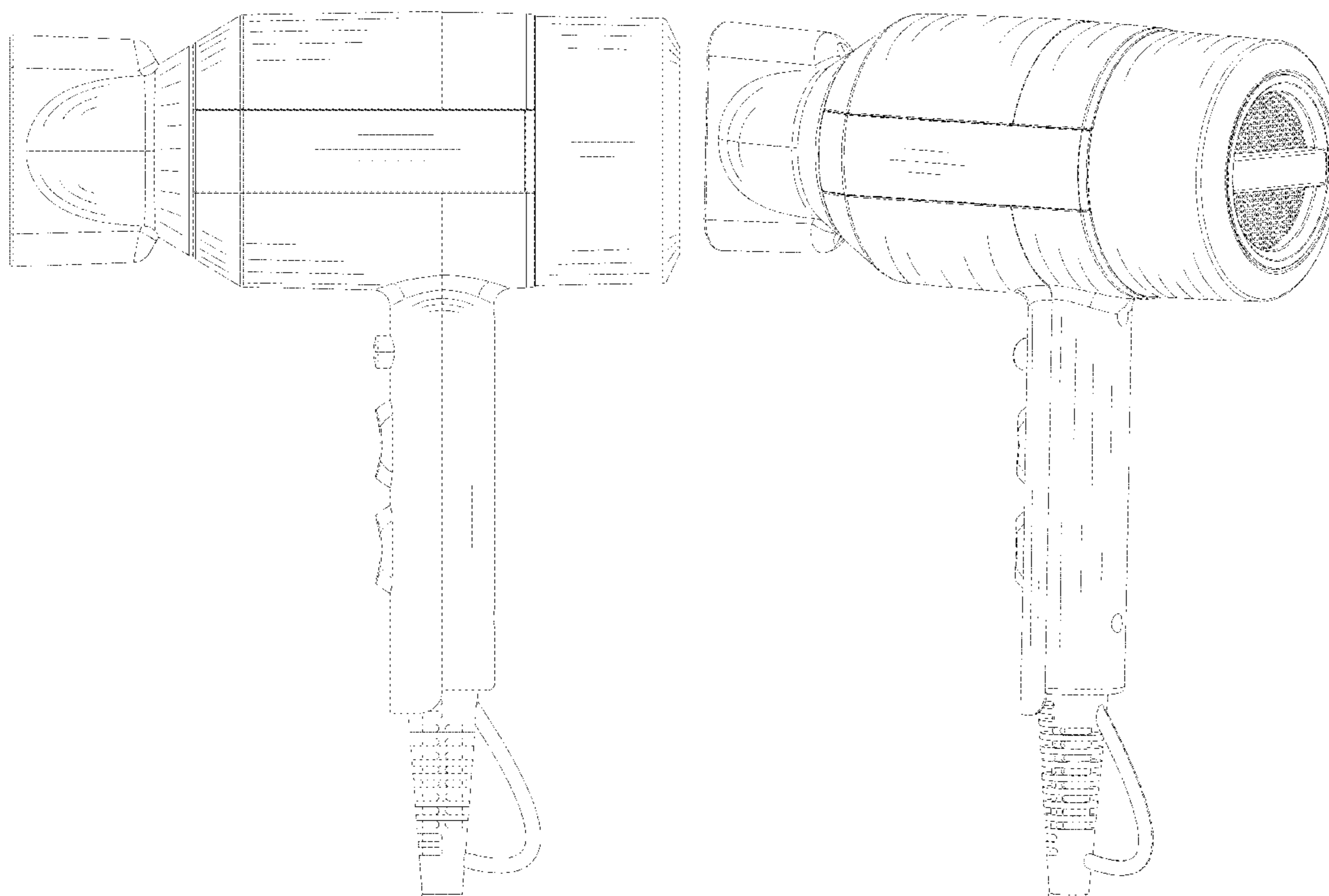
(57) **CLAIM**

The ornamental design for hair dryer, as shown and described.

DESCRIPTION

FIG. 1 is a front elevational view of a hair dryer showing my new design;
FIG. 2 is a rear elevational view thereof;
FIG. 3 is a left side elevational view thereof;
FIG. 4 is a right side elevational view thereof;
FIG. 5 is a top plan view thereof;
FIG. 6 is a bottom plan view thereof; and,
FIG. 7 is a perspective view thereof.

1 Claim, 7 Drawing Sheets



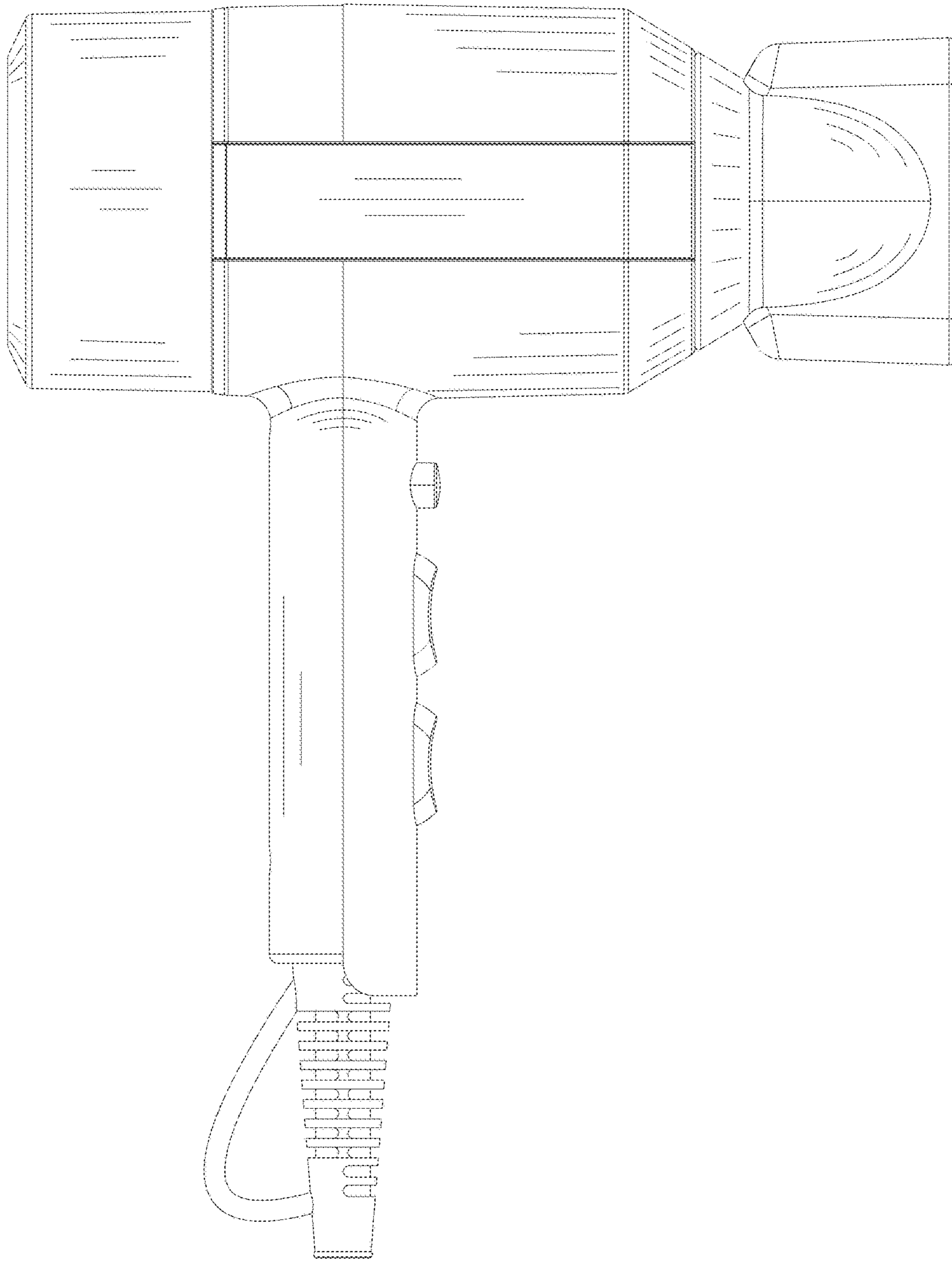


FIG. 1

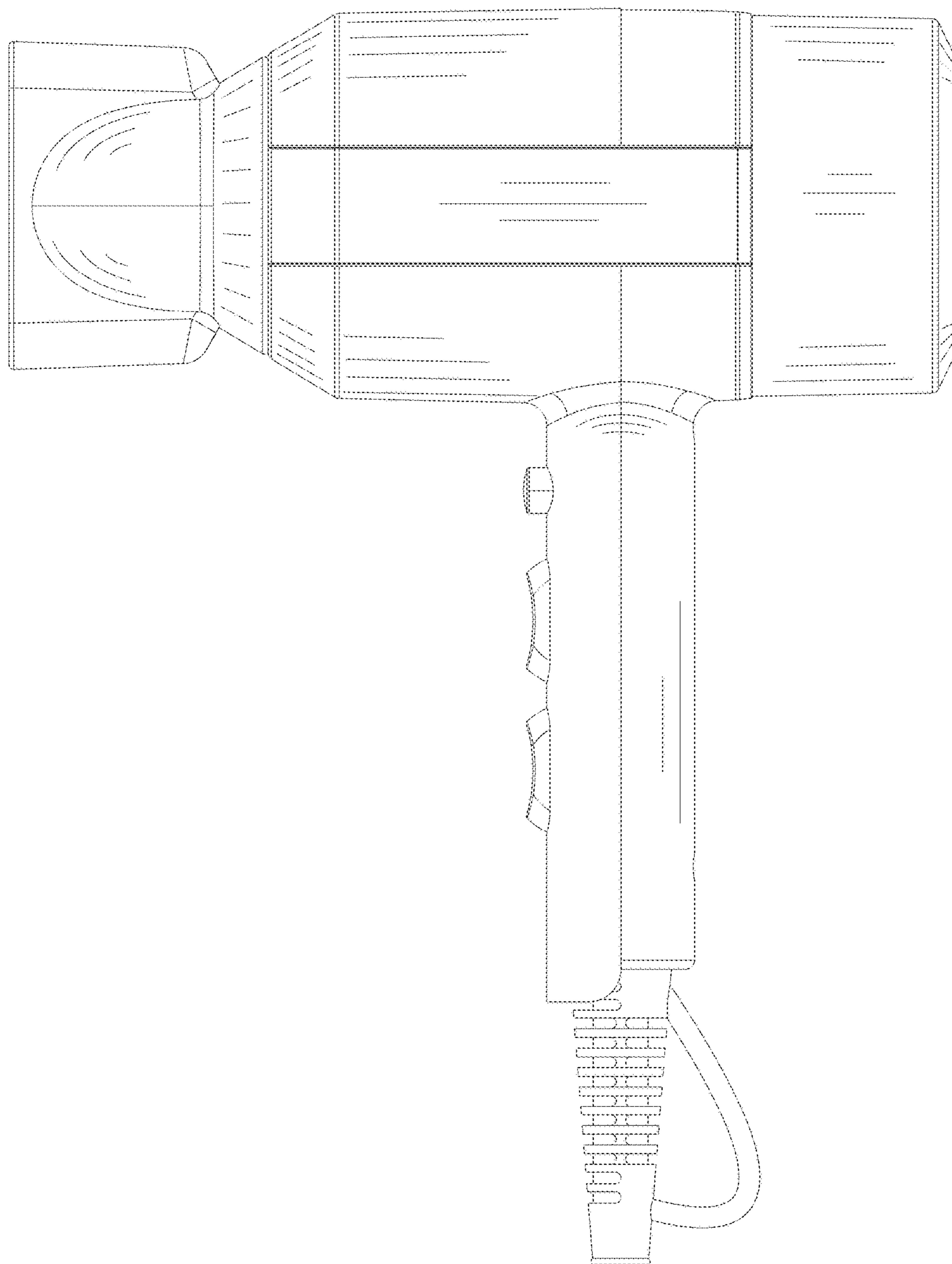


FIG. 2

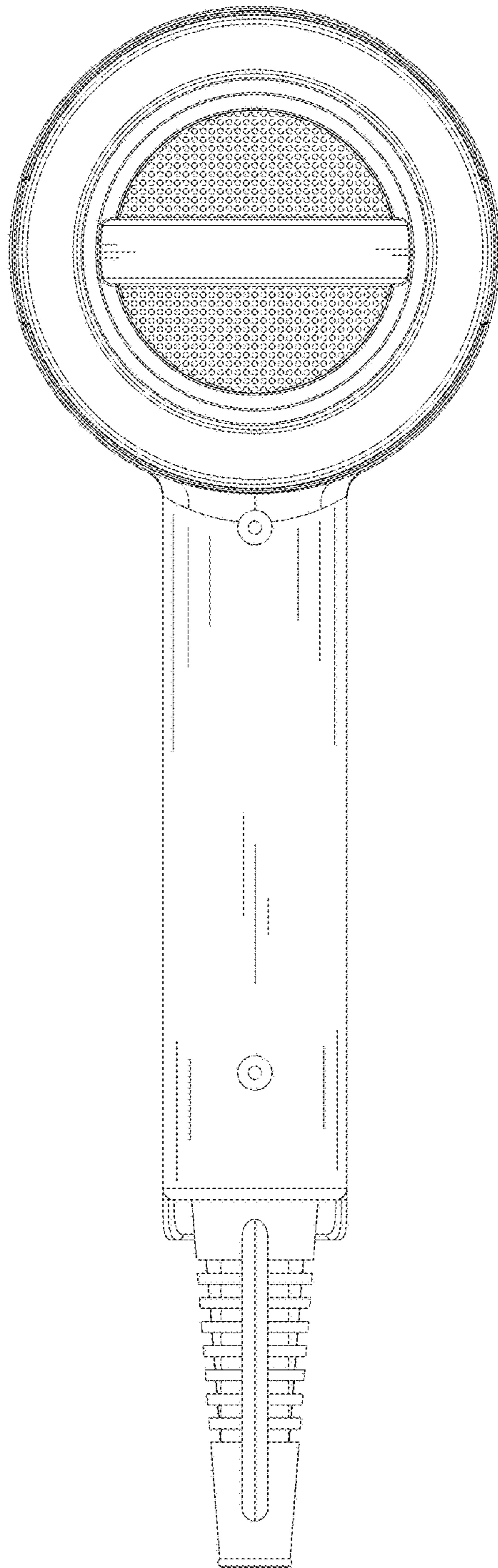


FIG. 3

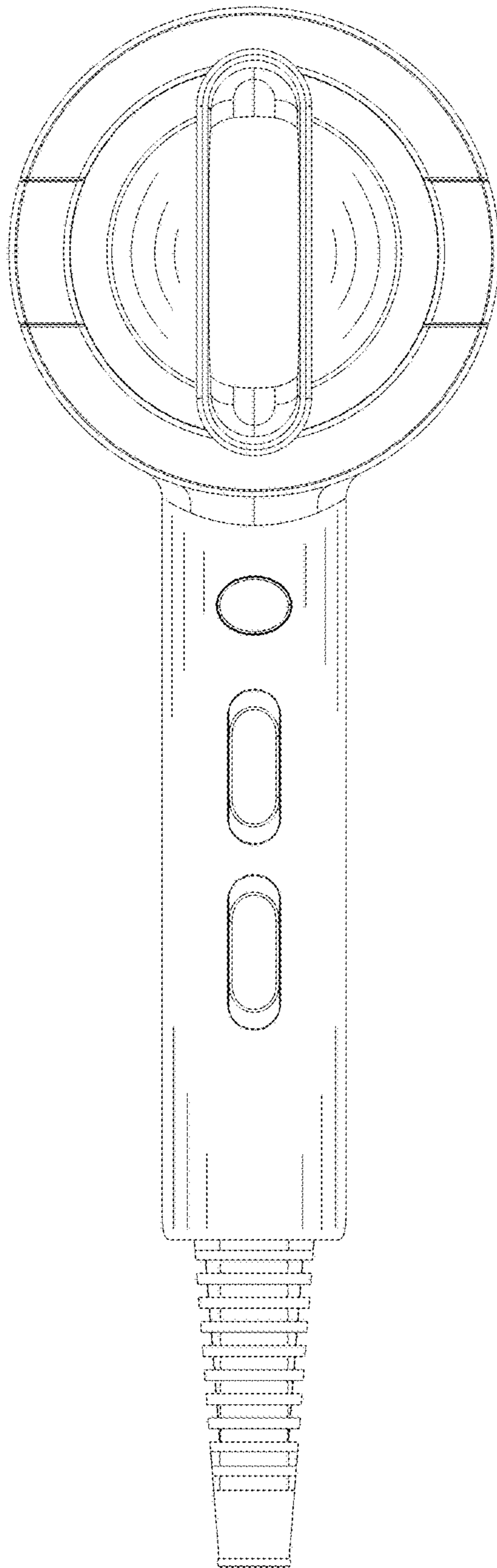


FIG. 4

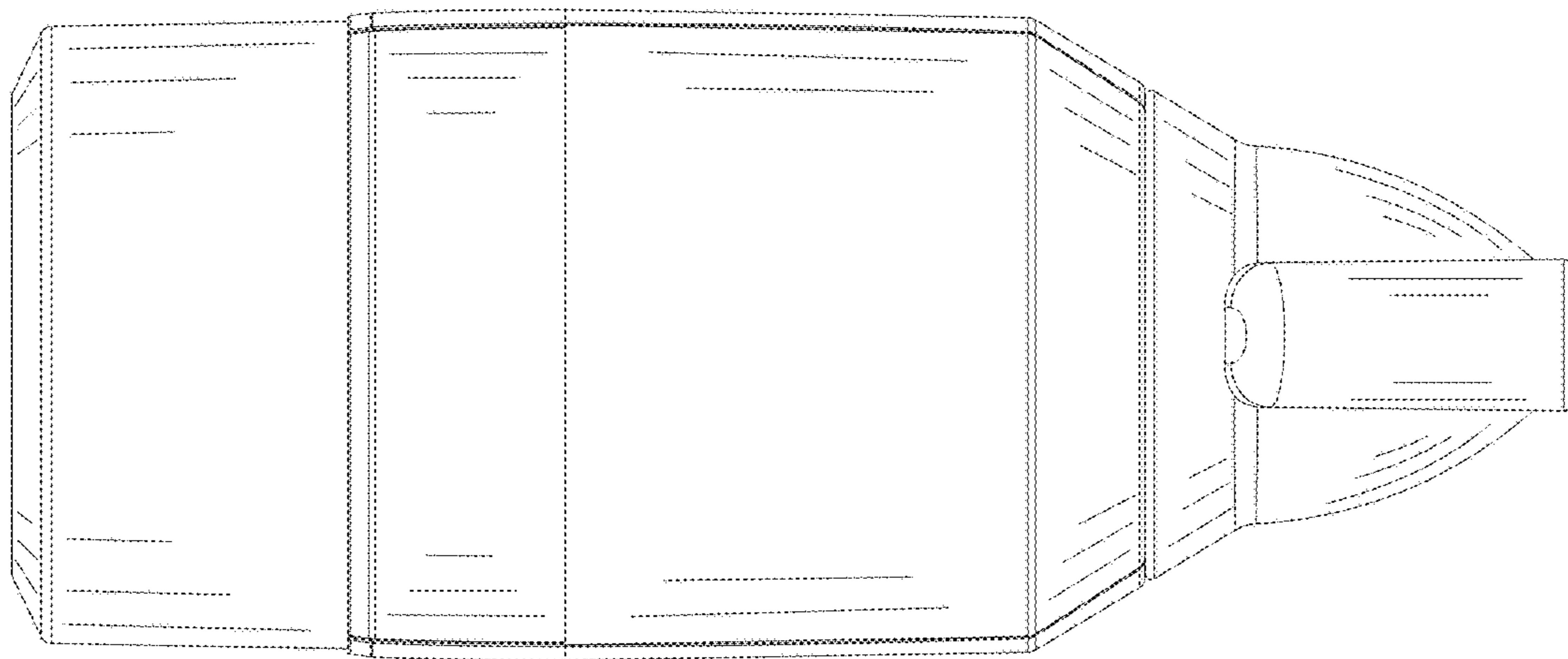


FIG. 5

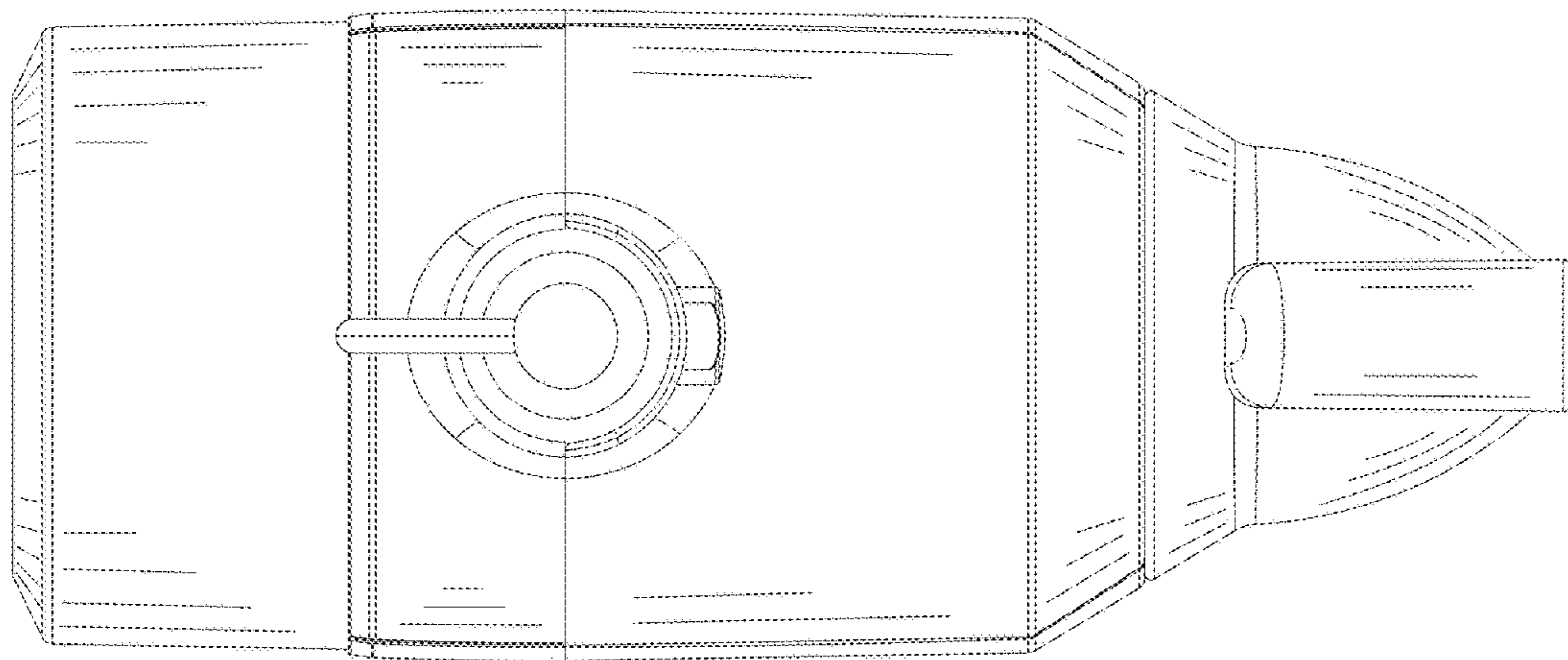


FIG. 6

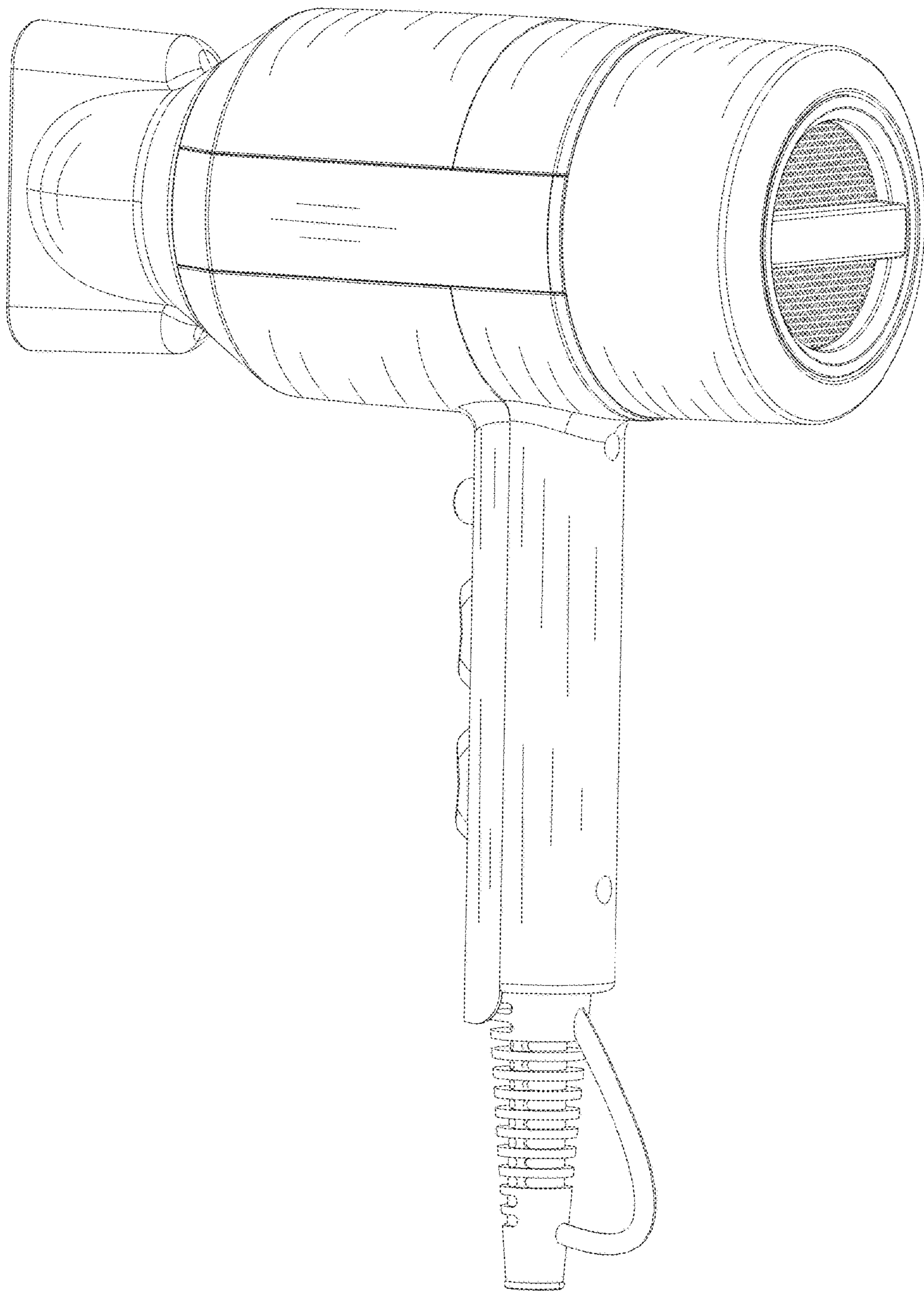


FIG. 7